



US00D865542S

(12) **United States Design Patent**
Rechberg et al.

(10) **Patent No.:** **US D865,542 S**

(45) **Date of Patent:** **** Nov. 5, 2019**

(54) **THERMOMETER**

(71) Applicant: **Valley Electronics AG, Zürich (CH)**

(72) Inventors: **Natalie Rechberg, Zürich (CH);
Therese Naef, Nussbaumen (CH)**

(73) Assignee: **Valley Electronics AG, Zürich (CH)**

(**) Term: **15 Years**

(21) Appl. No.: **29/661,317**

(22) Filed: **Aug. 27, 2018**

(30) **Foreign Application Priority Data**

May 15, 2018 (WO) 7496901

(51) **LOC (12) Cl.** **10-04**

(52) **U.S. Cl.**
USPC **D10/57**

(58) **Field of Classification Search**
USPC D10/57
CPC G01K 1/02; G01K 1/022; G01K 1/024;
G01K 1/08; G01K 1/083; G01K 1/086;
G01K 3/00-3/14; G01K 2003/145; G01K
13/002; G01K 13/004; G01K 2219/00;
G01K 5/04-5/225; G01K 5/22; G01K
221/00

See application file for complete search history.

(56) **References Cited**

U.S. PATENT DOCUMENTS

D379,936 S * 6/1997 Wei-Hsin D10/57
D525,542 S * 7/2006 Russak D10/57

D535,575 S * 1/2007 Howansky D10/57
D535,898 S * 1/2007 Howansky D10/57
D704,575 S * 5/2014 Maresova D10/57
D838,372 S * 1/2019 Goering D24/186
D846,746 S * 4/2019 Lee D24/186

OTHER PUBLICATIONS

Daysy—Your personal ovulation calculator—natural & safe, accessed Jun. 19, 2018; 8 pgs. <https://daysy.me>.

* cited by examiner

Primary Examiner — Antoine Duval Davis

(74) *Attorney, Agent, or Firm* — Maier & Maier, PLLC

(57) **CLAIM**

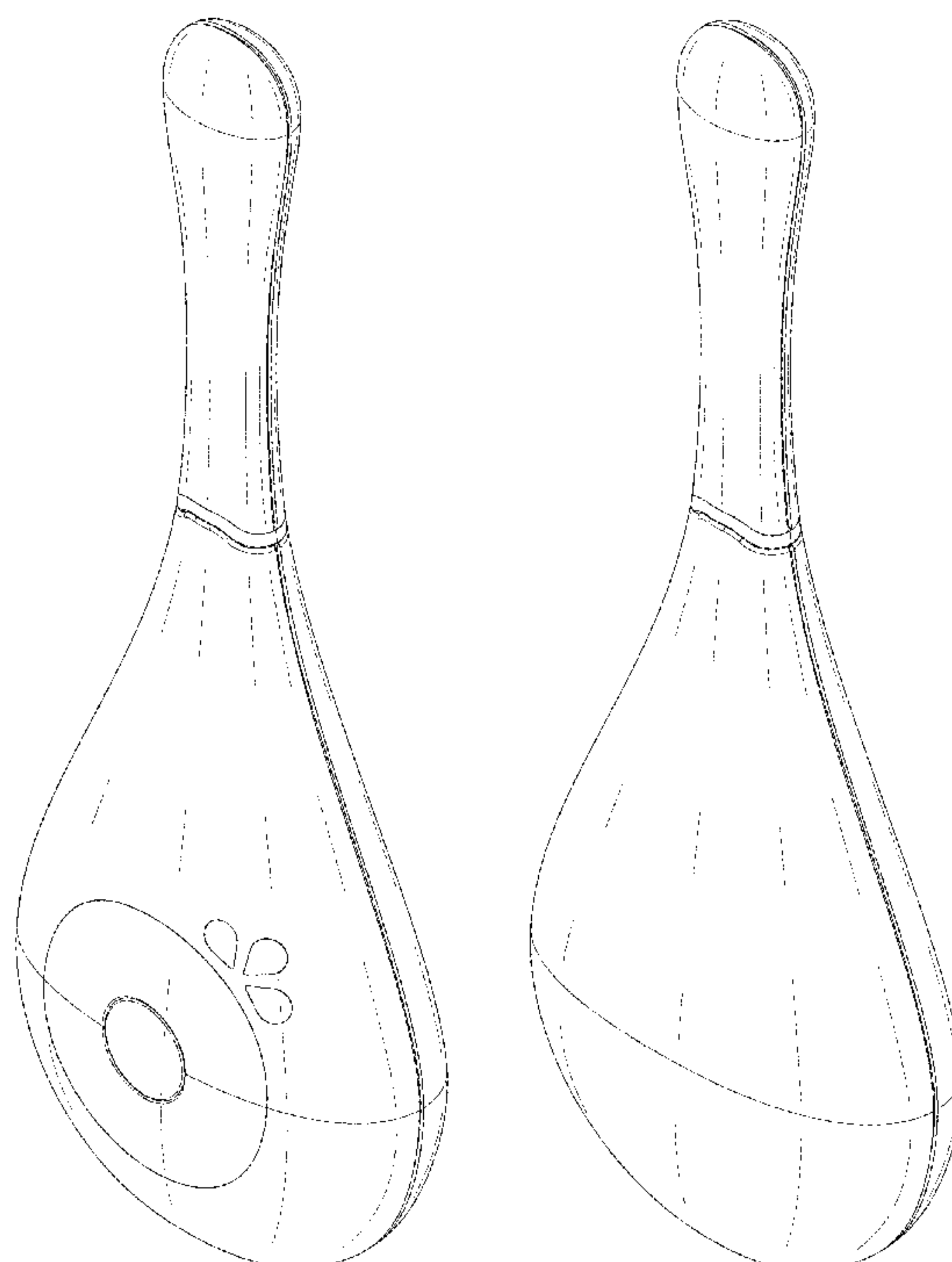
The ornamental design for a thermometer, as shown and described.

DESCRIPTION

FIG. 1 is a front perspective view of a thermometer;
FIG. 2 is a rear perspective view thereof;
FIG. 3 is a front view thereof;
FIG. 4 is a rear view thereof;
FIG. 5 is a left side view thereof;
FIG. 6 is a top view thereof;
FIG. 7 is a bottom view thereof; and,
FIG. 8 is a perspective view thereof showing a cap in a removed state.

The broken lines showing portions of the thermometer form no part of the claimed design.

1 Claim, 7 Drawing Sheets



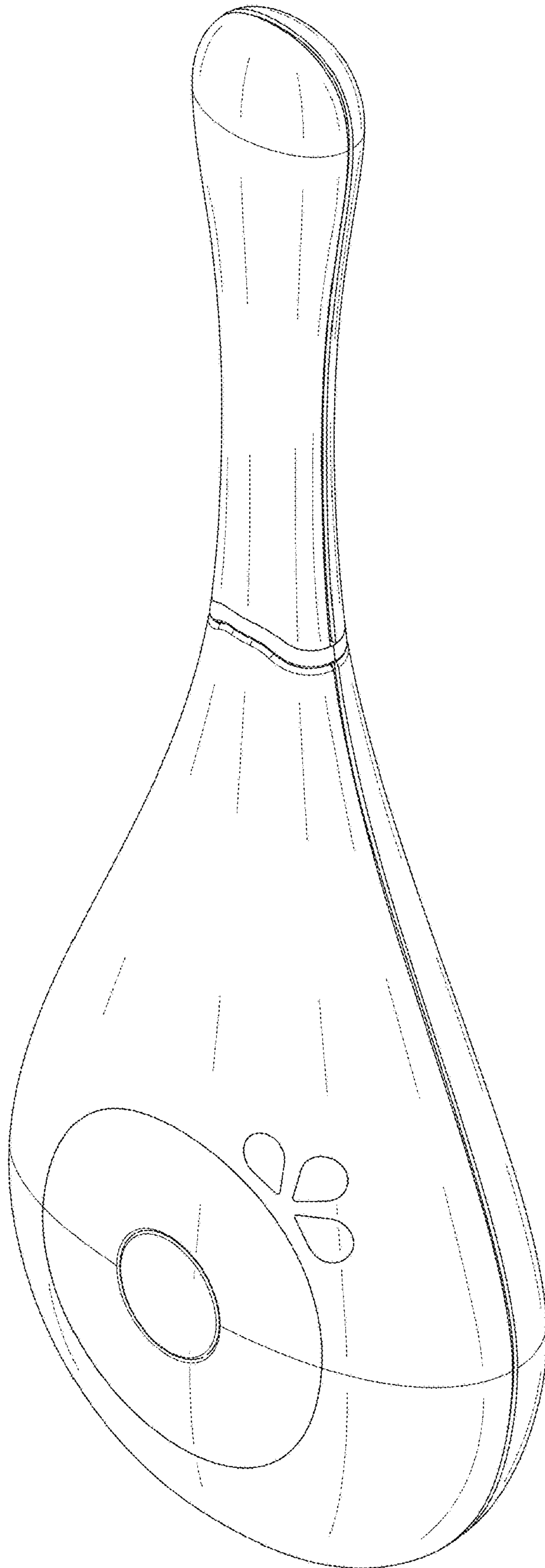


Fig. 1

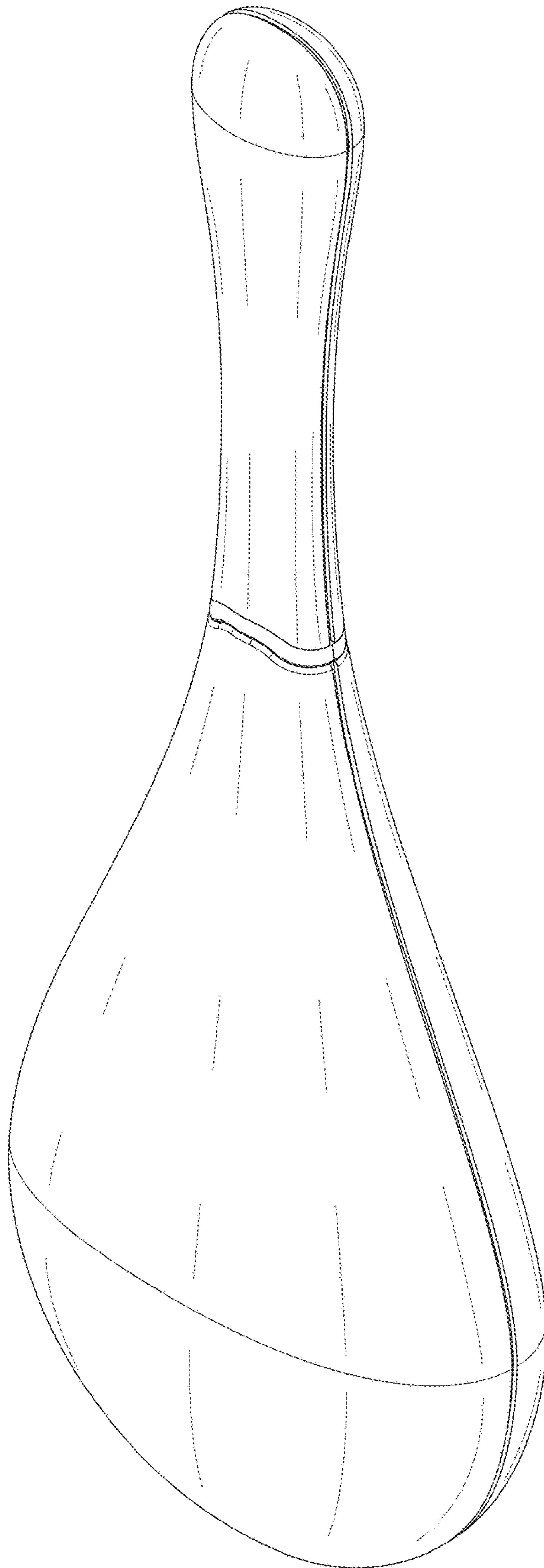


Fig. 2

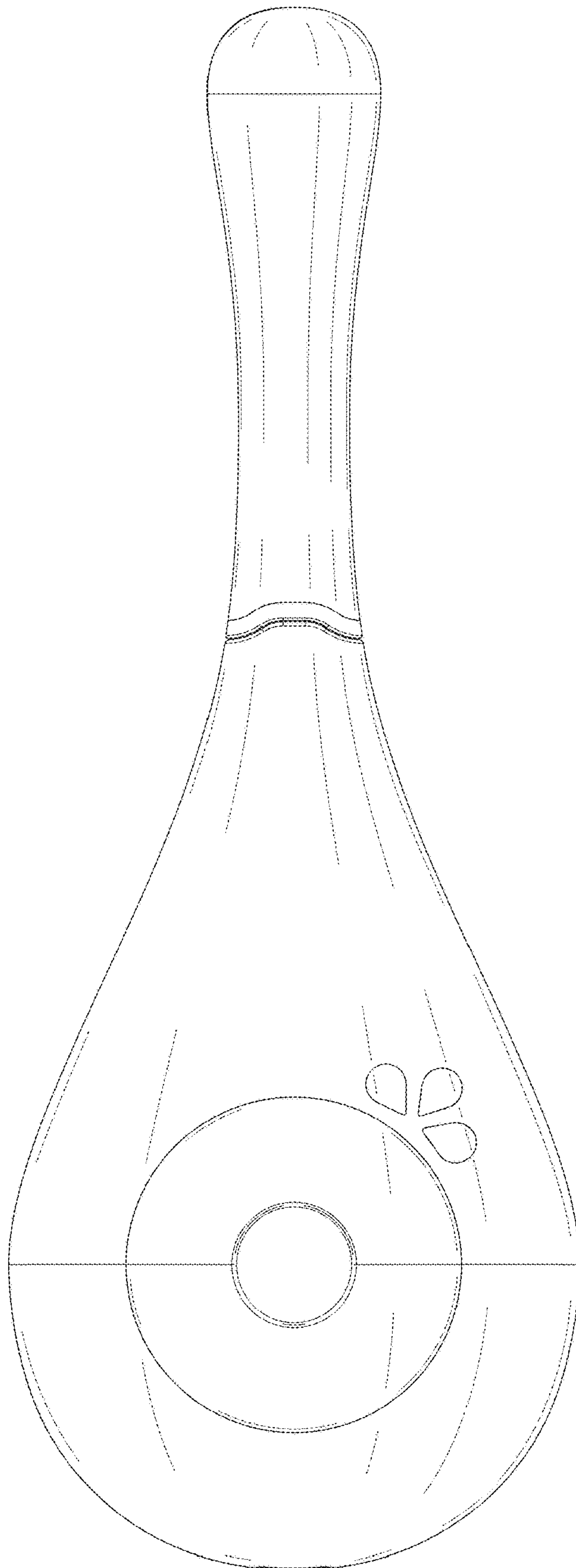


Fig. 3

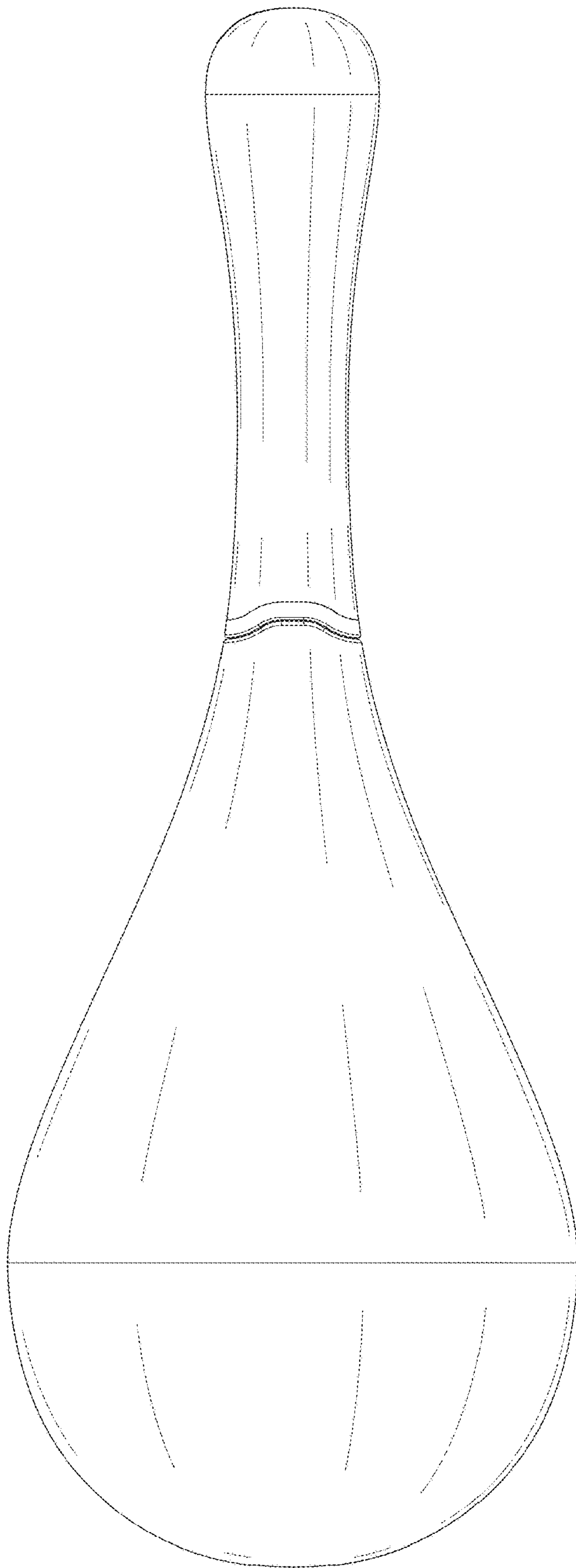


Fig. 4

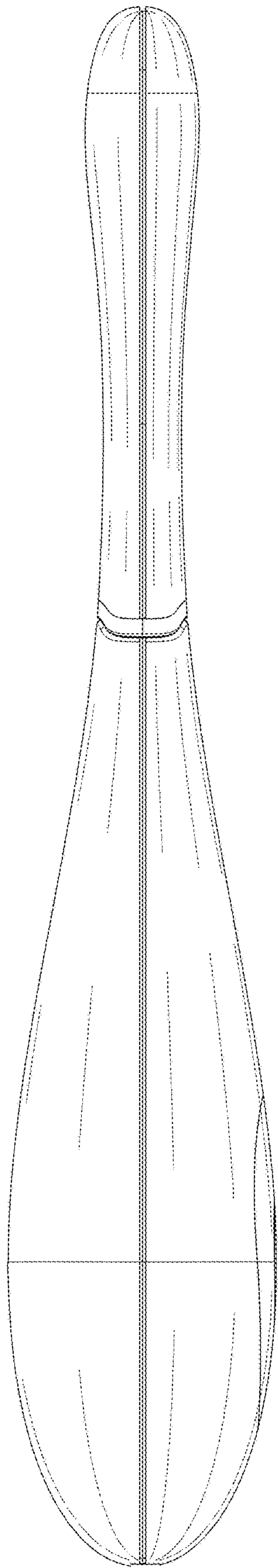


Fig. 5

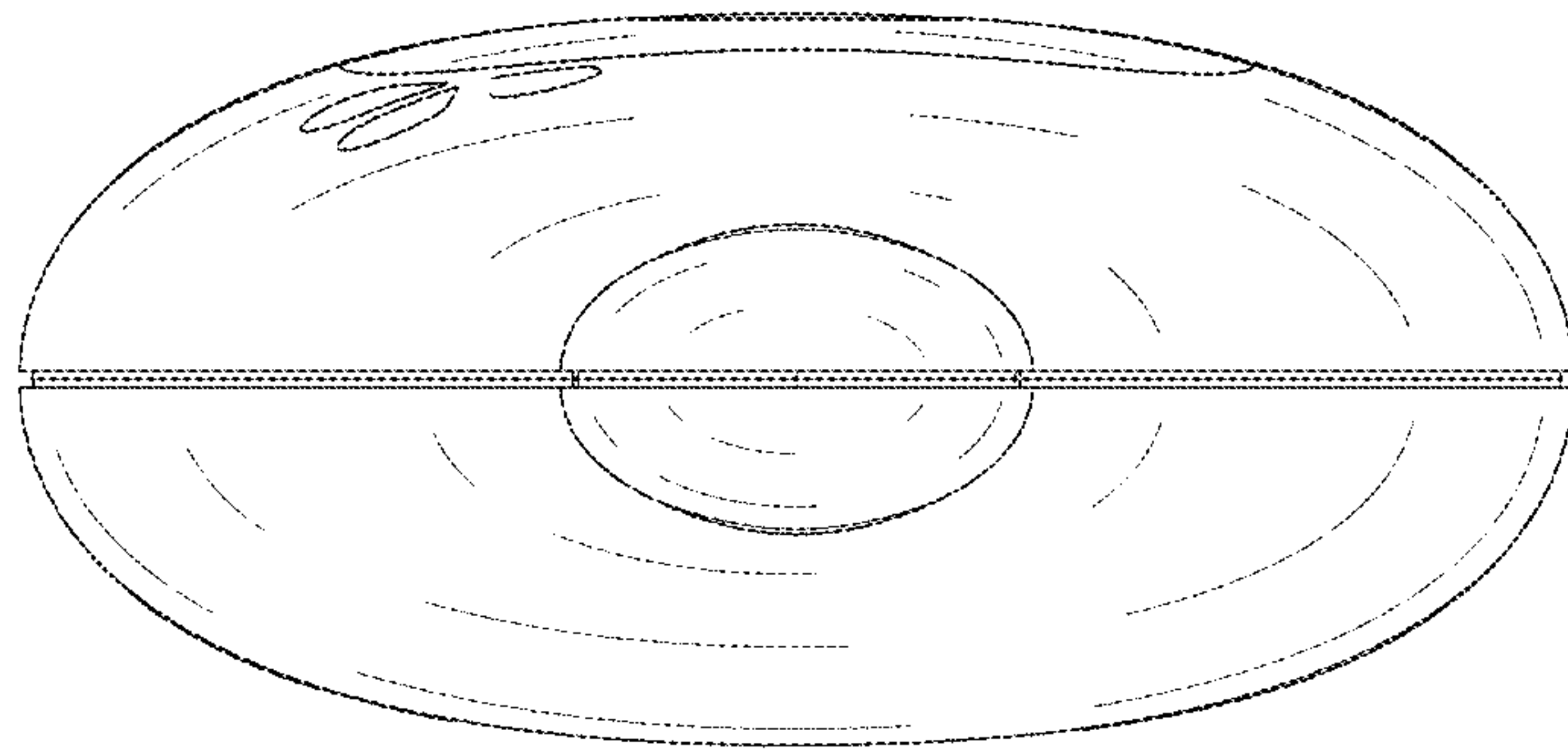


Fig. 6

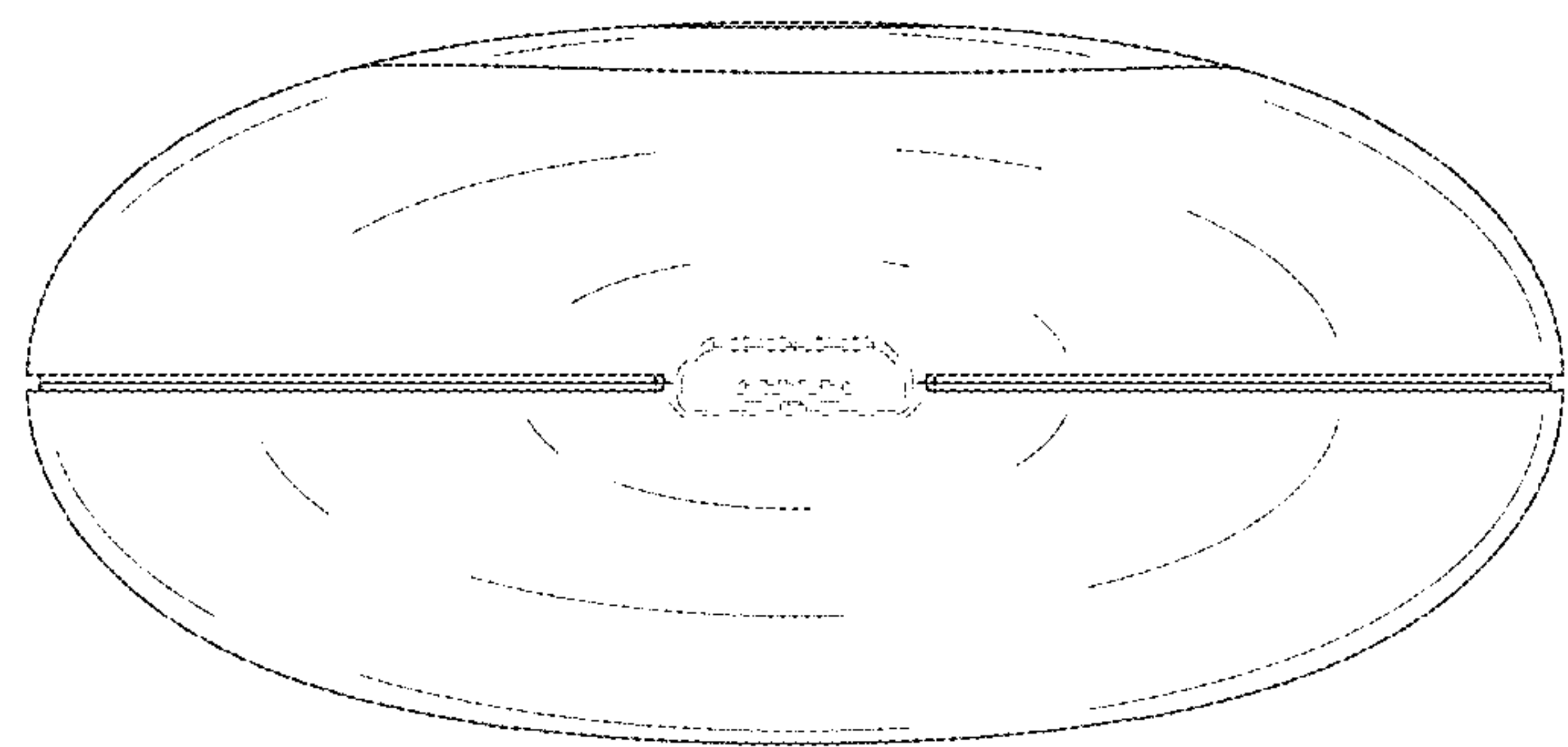


Fig. 7

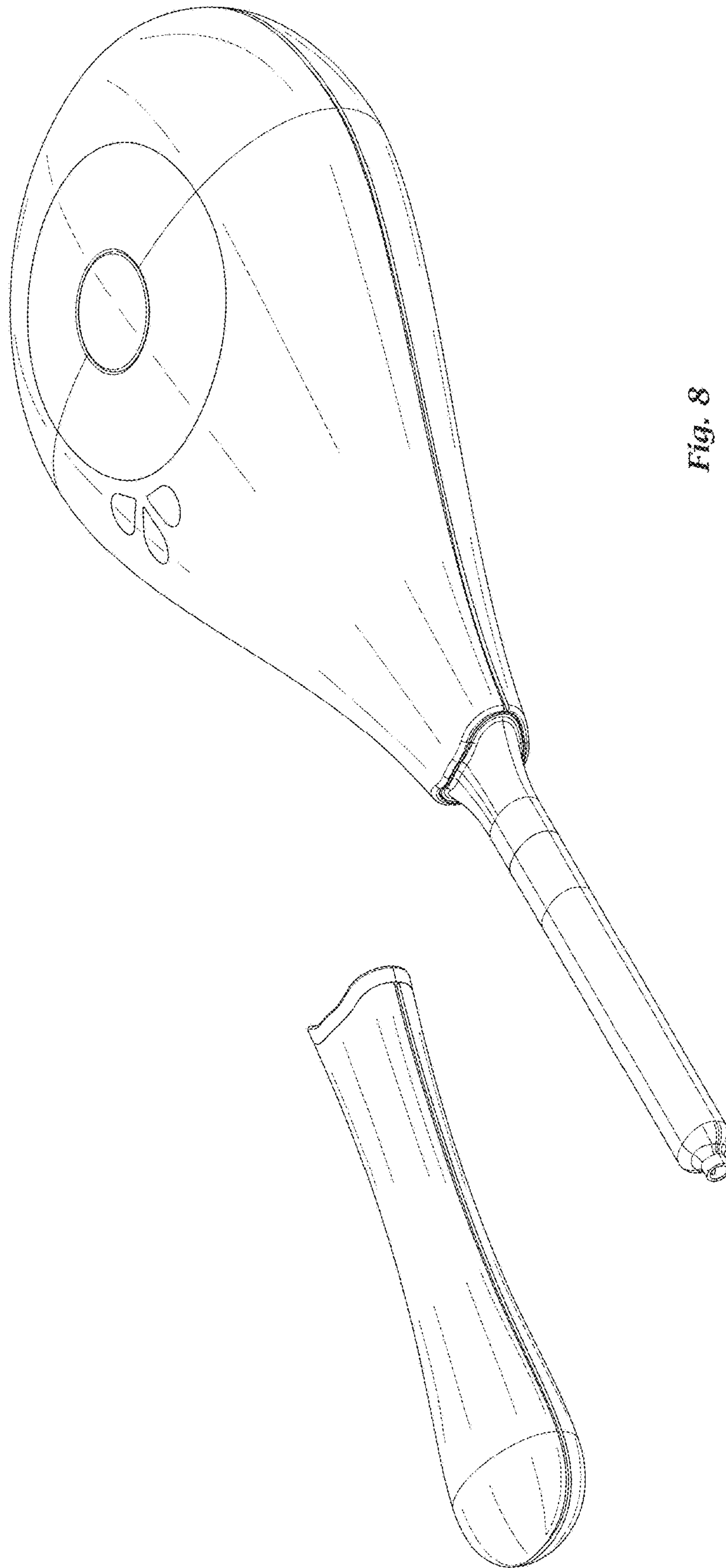


Fig. 8