



US00D865539S

(12) **United States Design Patent** (10) **Patent No.:** **US D865,539 S**
Hauville et al. (45) **Date of Patent:** **** Nov. 5, 2019**

(54) **CONTROL UNIT**

H05K 5/0243; H05K 5/00; H05K 5/03;
H04M 2250/12; H04M 2250/22

(71) Applicant: **FIPAK Research And Development Company, Rowley, MA (US)**

See application file for complete search history.

(72) Inventors: **Antoine Hauville, La Londe (FR);
Cédric Herry, Val de Reuil (FR);
Stephane Hauville, Rowley, MA (US)**

(56) **References Cited**

U.S. PATENT DOCUMENTS

(73) Assignee: **FIPAK Research And Development Company, Rowley, MA (US)**

D288,068	S	*	2/1987	Fenne	D10/50
D606,199	S	*	12/2009	Vu	D13/162
D734,180	S	*	7/2015	Benichou	D10/50
D762,498	S	*	8/2016	Hirsch	D10/50
D825,491	S	*	8/2018	Diep	D13/162

(**) Term: **15 Years**

* cited by examiner

(21) Appl. No.: **29/650,732**

Primary Examiner — Antoine Duval Davis

(22) Filed: **Jun. 8, 2018**

(74) *Attorney, Agent, or Firm* — Pandiscio & Pandiscio

(51) **LOC (12) Cl.** **10-04**

(57) **CLAIM**

(52) **U.S. Cl.**

The ornamental design for a control unit, as shown and described.

USPC **D10/49**

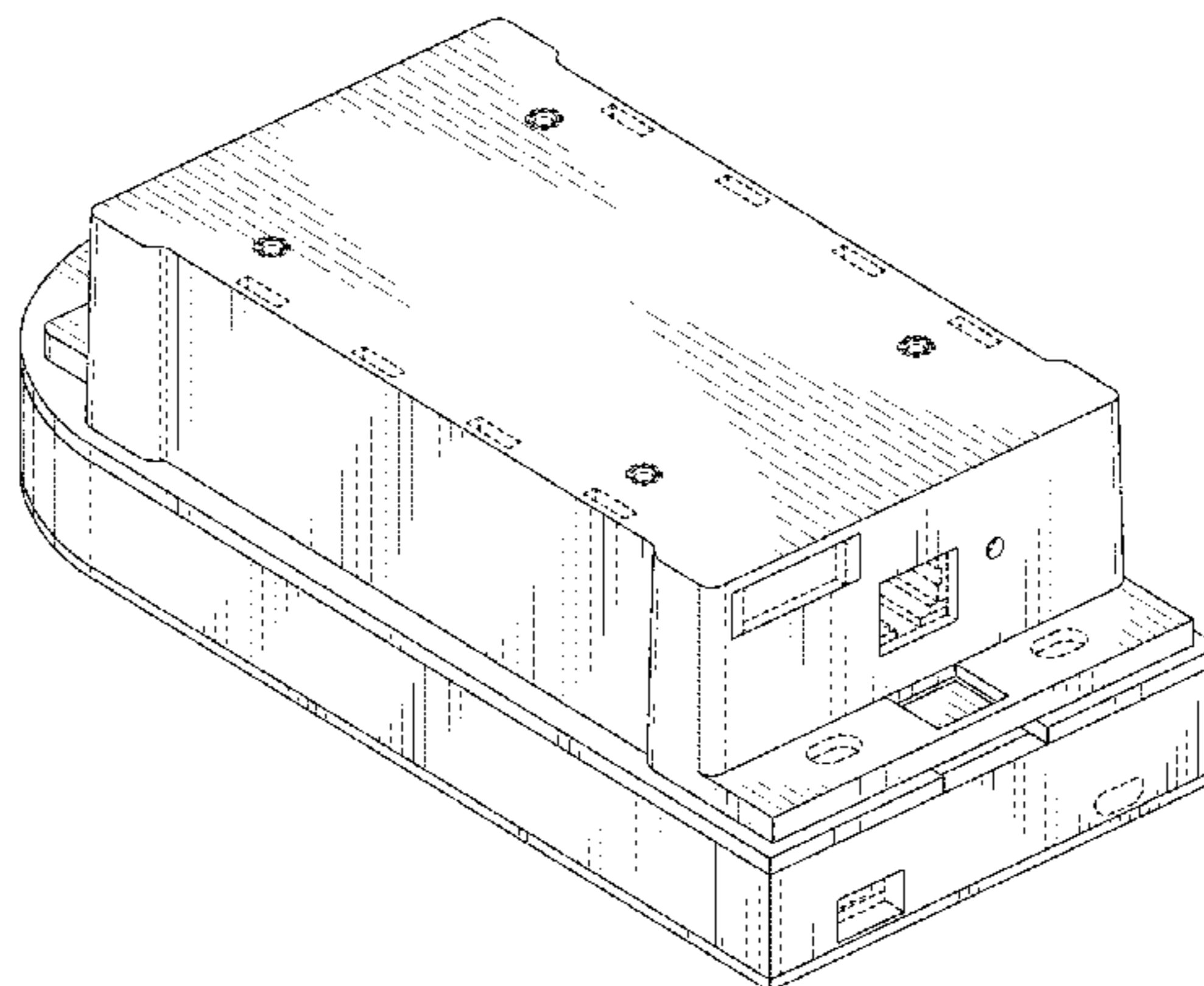
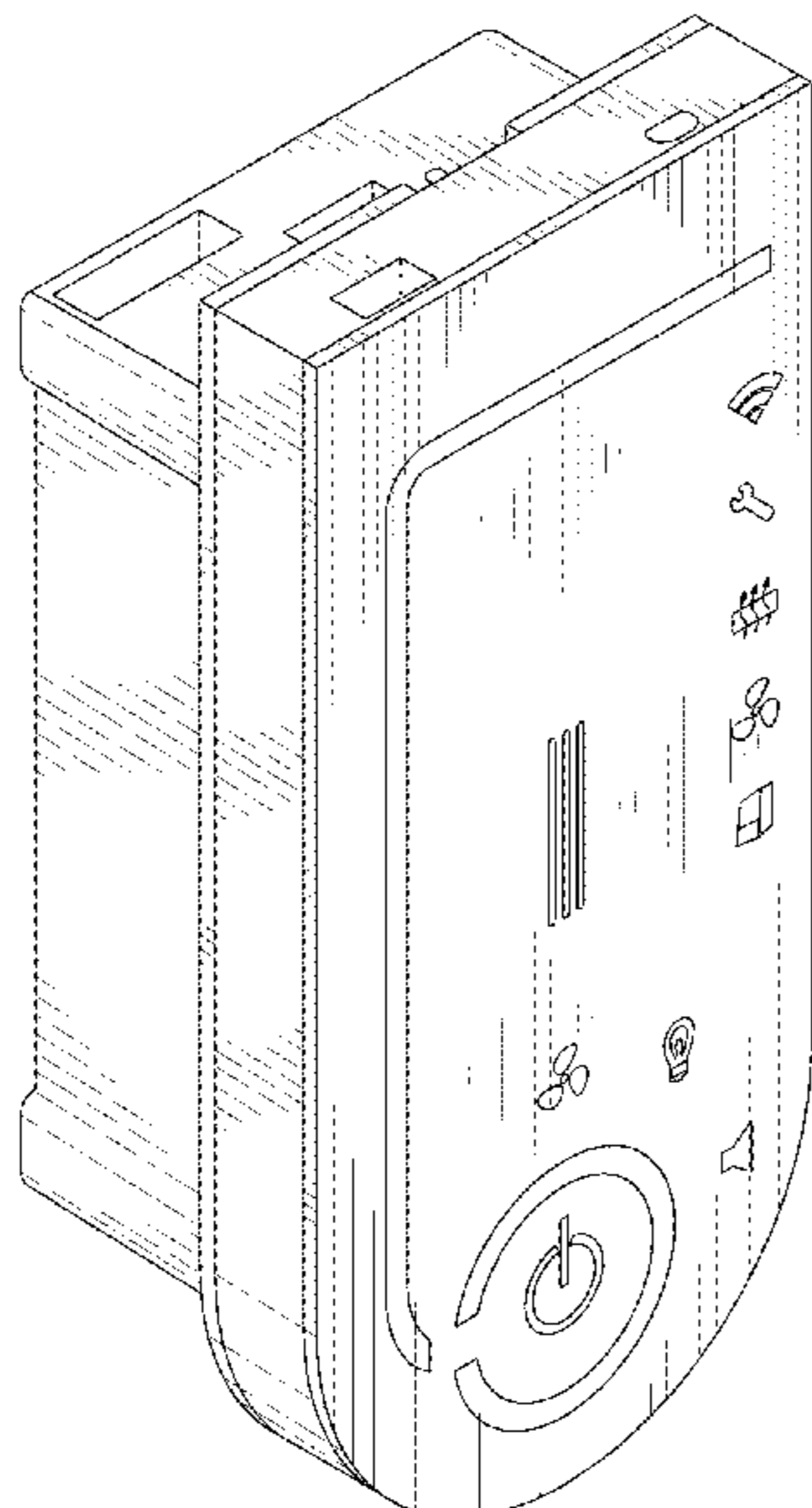
DESCRIPTION

(58) **Field of Classification Search**

USPC D10/49, 50; D13/162, 162.1, 177
CPC . F23N 5/20; F23N 5/203; F23N 5/206; F23N 5/18; F23N 5/184; F23N 5/187; F23N 5/22; F23N 2025/12; F23N 2041/02; F24F 11/00; F24F 11/0012; F24F 11/0009; F24F 11/001; F24F 2011/0057; F24F 2011/0073; F24F 2011/0091; F24F 2011/0094; F24F 2011/0068; F24F 2011/0012; F24F 2011/0015; F24F 2011/0017; F21V 11/16; F21V 33/10; G05B 19/042; G05D 23/01; G05D 23/12; G05D 23/275; G05D 23/1902; G05D 23/1904; G05D 23/27502; G05D 23/27503; G05D 23/1919; G05D 23/19; G05D 23/2723; G05D 23/00; G09F 13/22; G09F 9/53; G06F 1/1684; G06F 1/30; G06F 3/0362; G06F 3/038; H05B 33/0854; H05B 37/0218; H05K 5/0017;

FIG. 1 is a top perspective view of the control unit;
FIG. 2 is a top view of the control unit, taken from the frame of reference of FIG. 1;
FIG. 3 is a bottom view of the control unit, taken from the frame of reference of FIG. 1;
FIG. 4 is a side view, in elevation, of the right side of the control unit, taken from the frame of reference of FIG. 1;
FIG. 5 is a side view, in elevation, of the left side of the control unit, taken from the frame of reference of FIG. 1;
FIG. 6 is a front view of the control unit, taken from the frame of reference of FIG. 1;
FIG. 7 is a rear view of the control unit, taken from the frame of reference of FIG. 1; and,
FIG. 8 is a bottom perspective view of the control unit.
The broken lines are included for the purpose of illustrating unclaimed portions of the control unit and form no part of the claimed design.

1 Claim, 8 Drawing Sheets



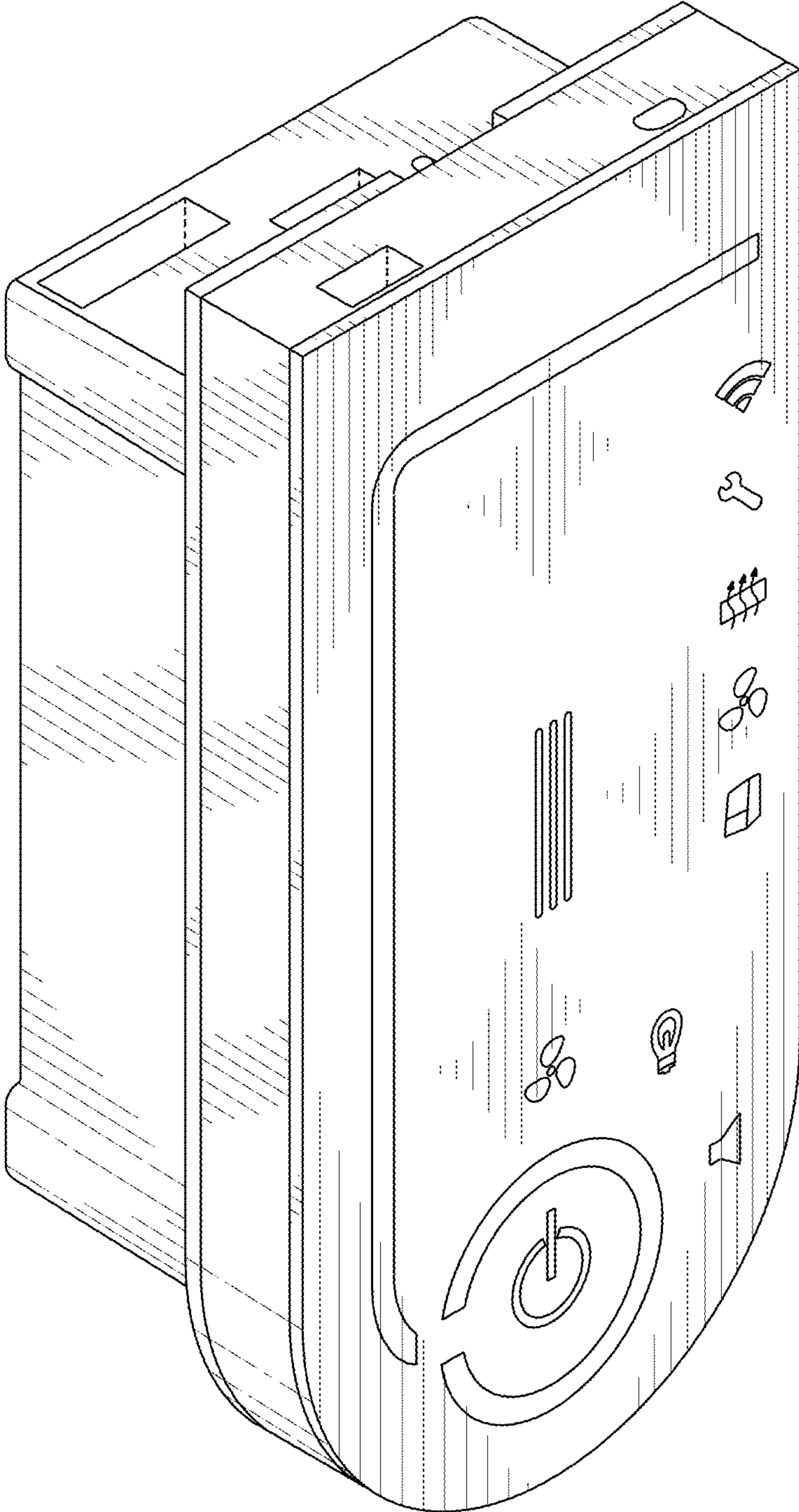


FIG. 1

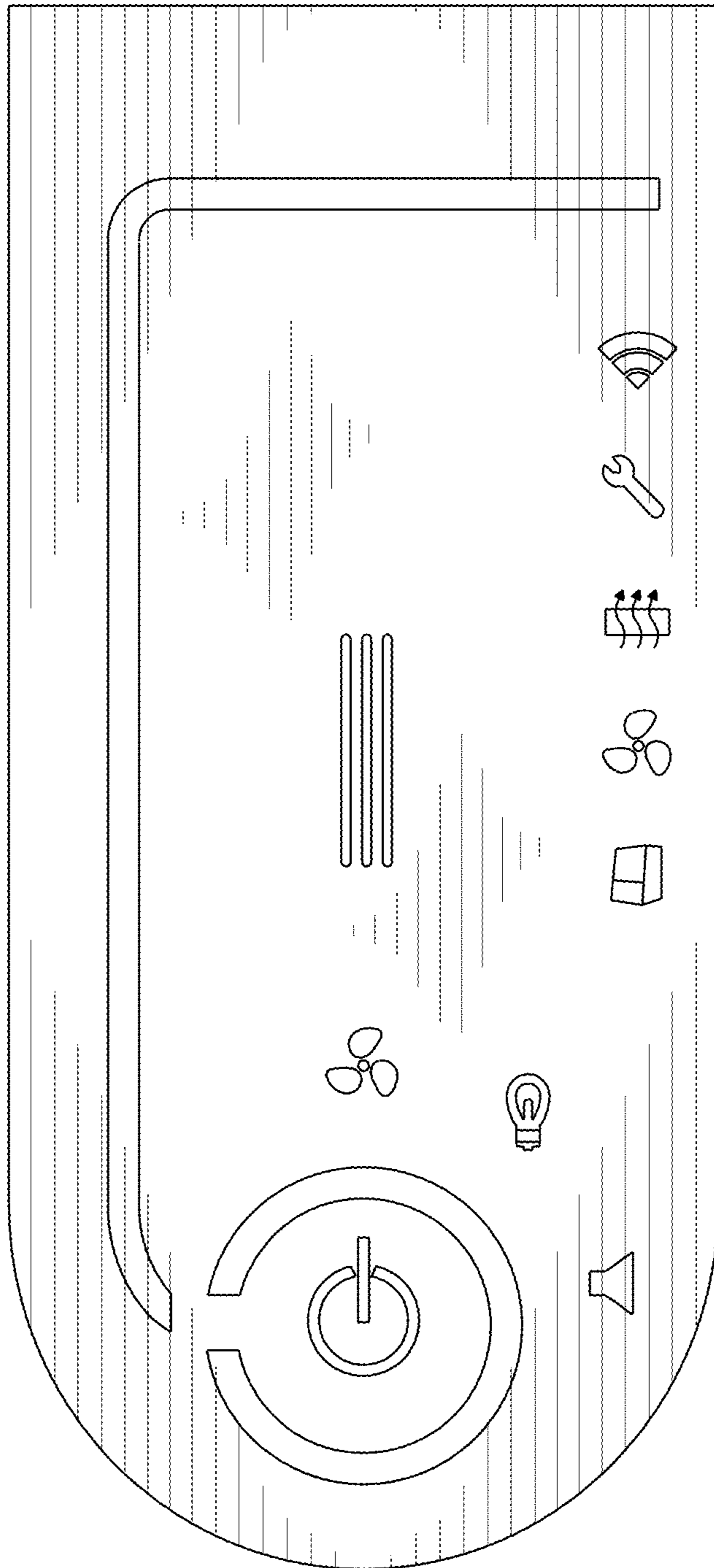


FIG. 2

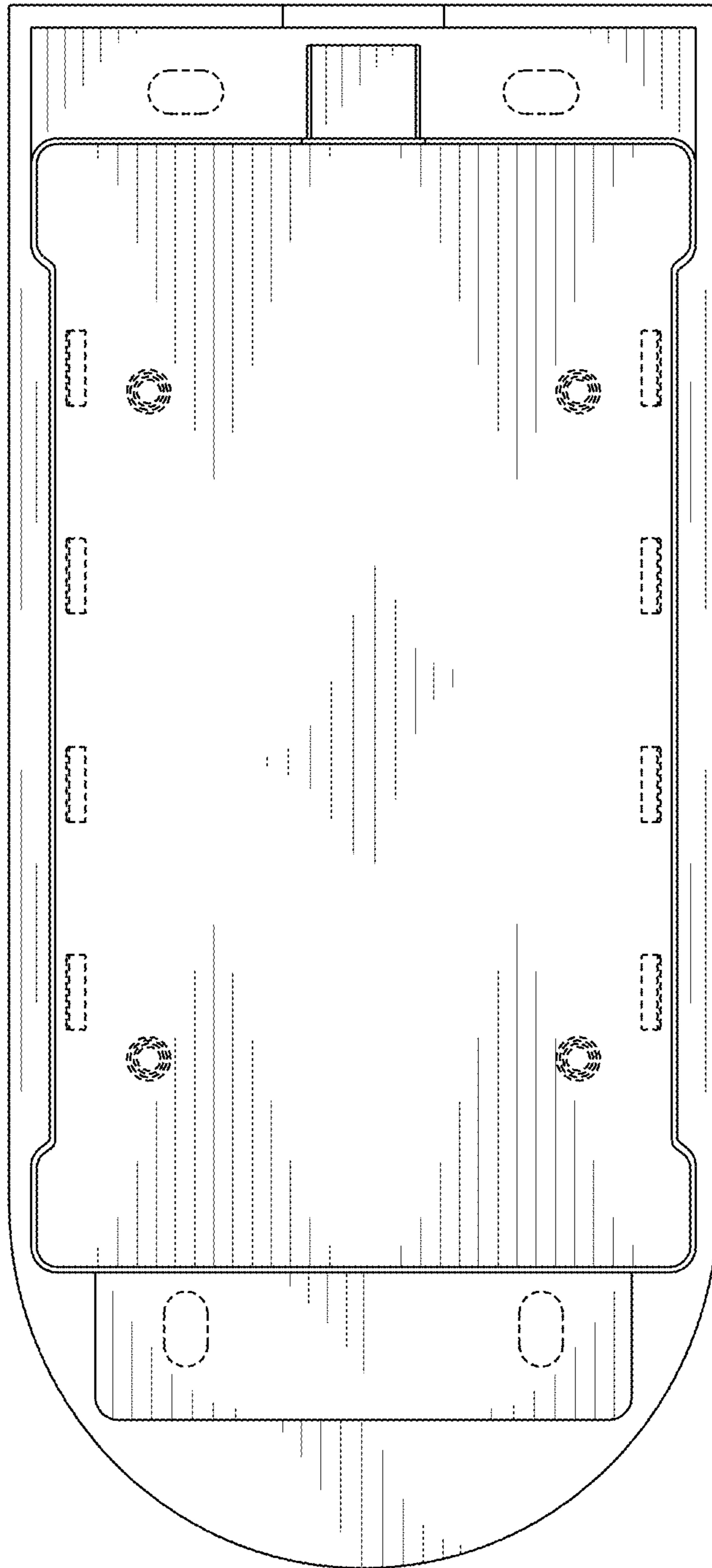


FIG. 3

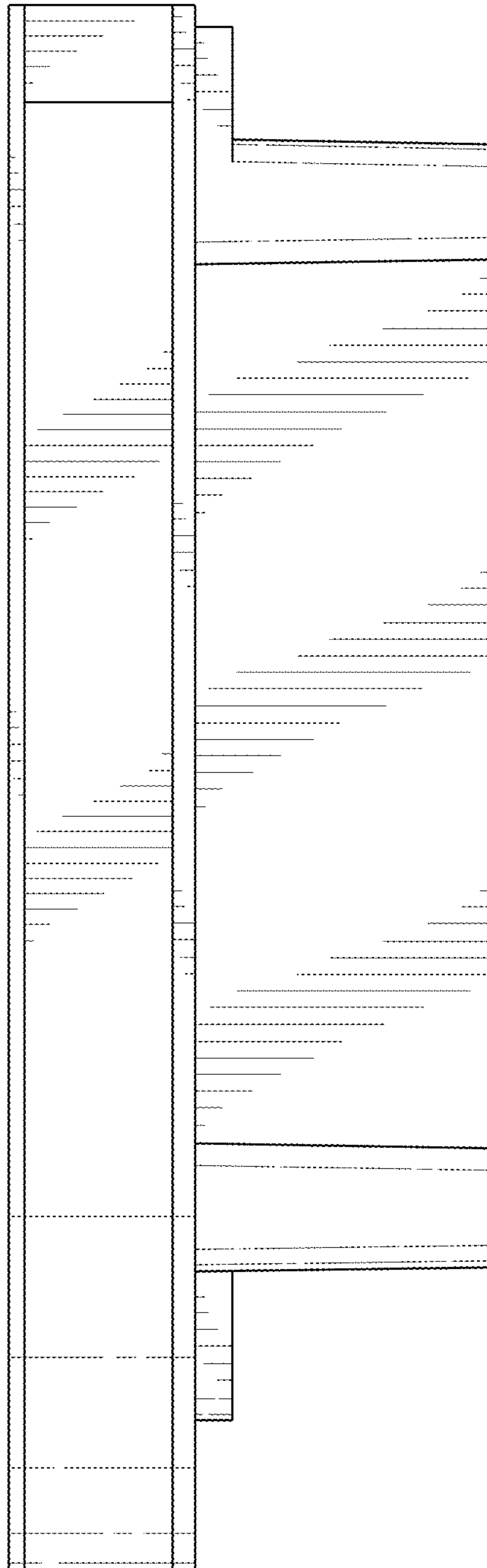


FIG. 4

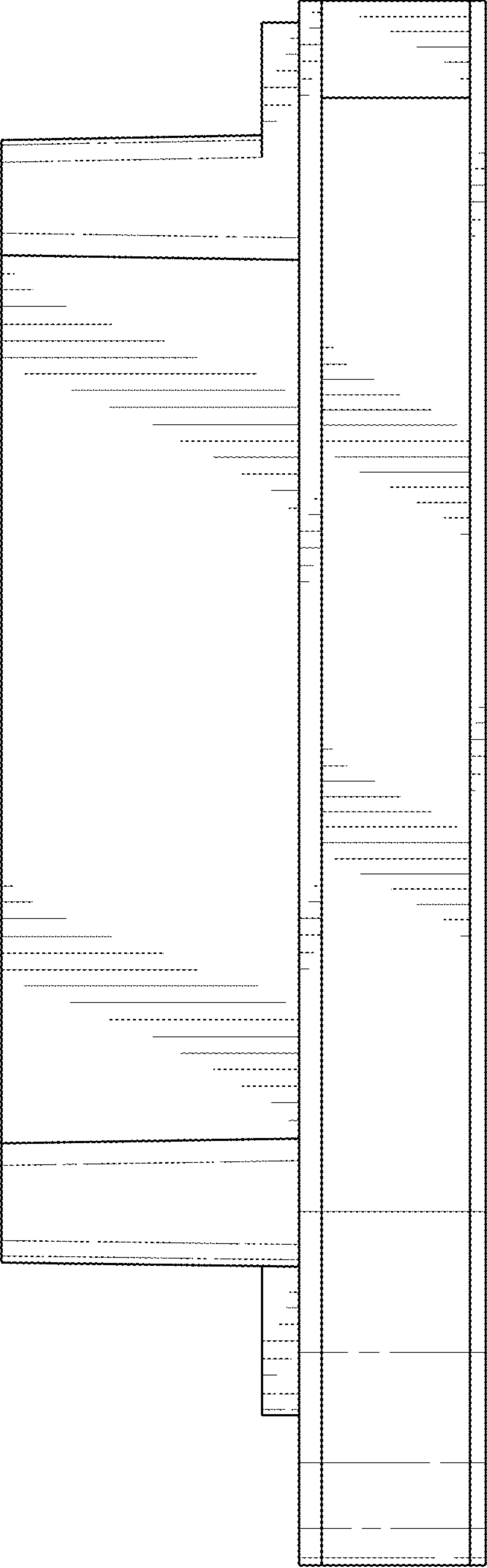


FIG. 5

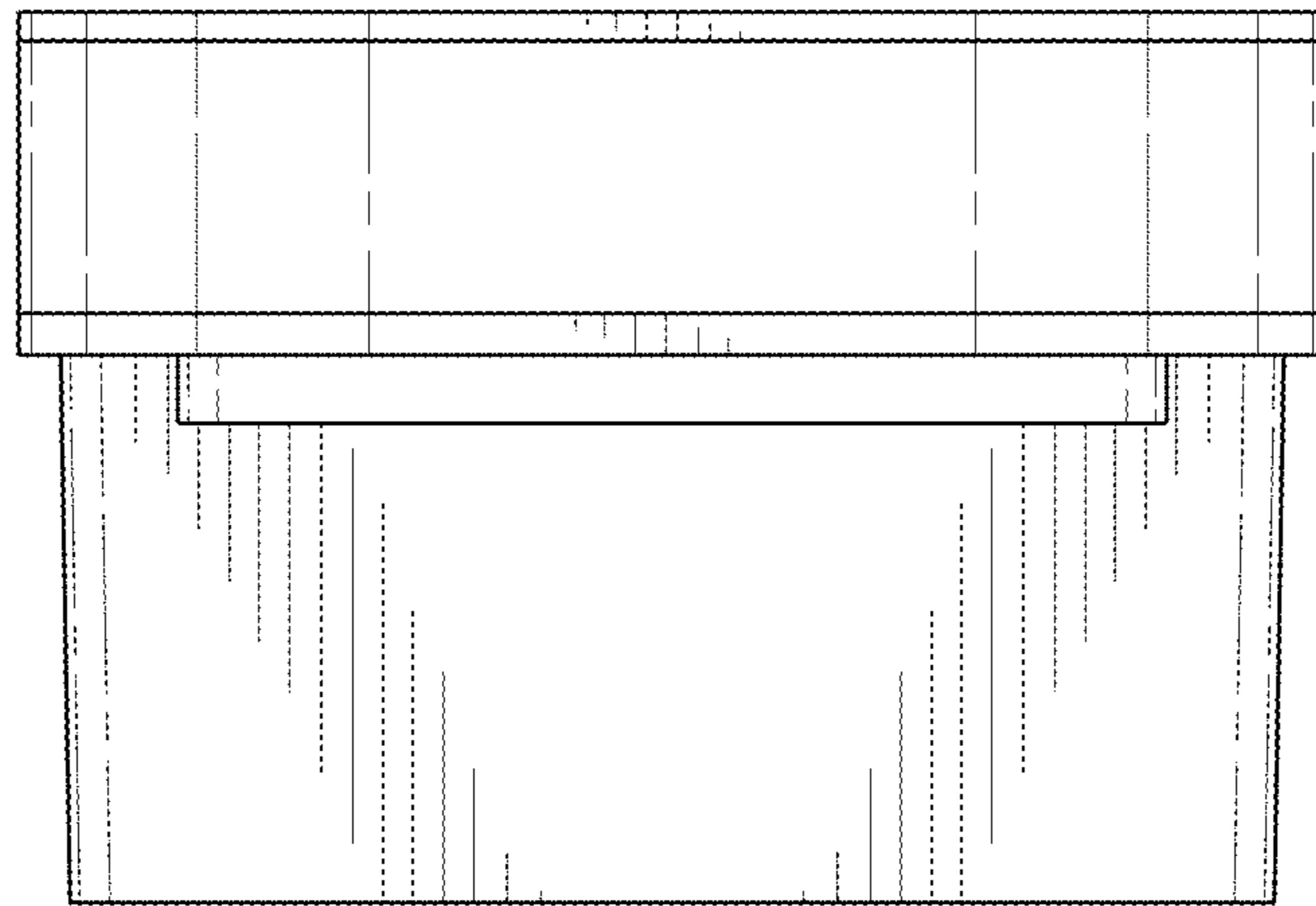


FIG. 6

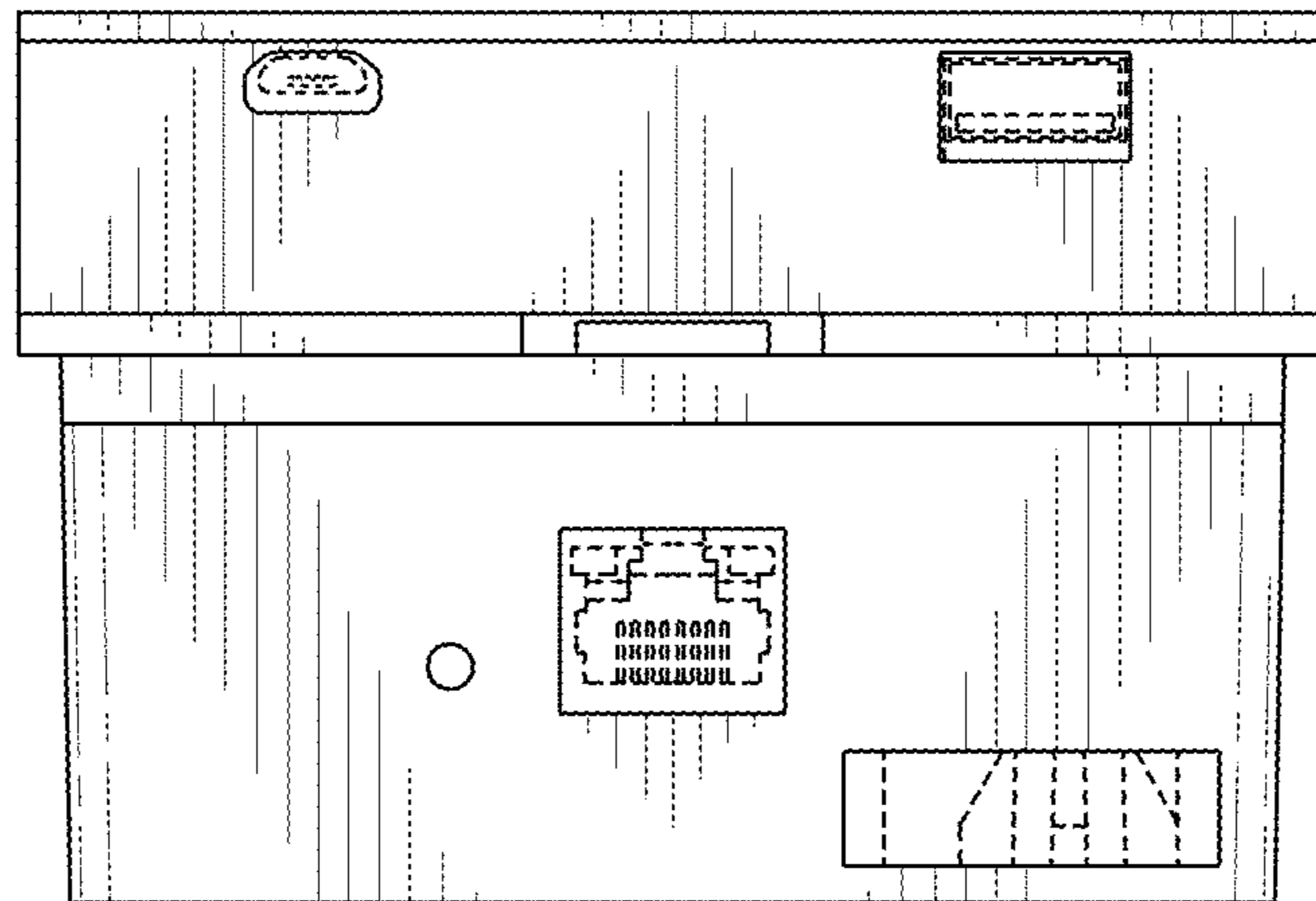


FIG. 7

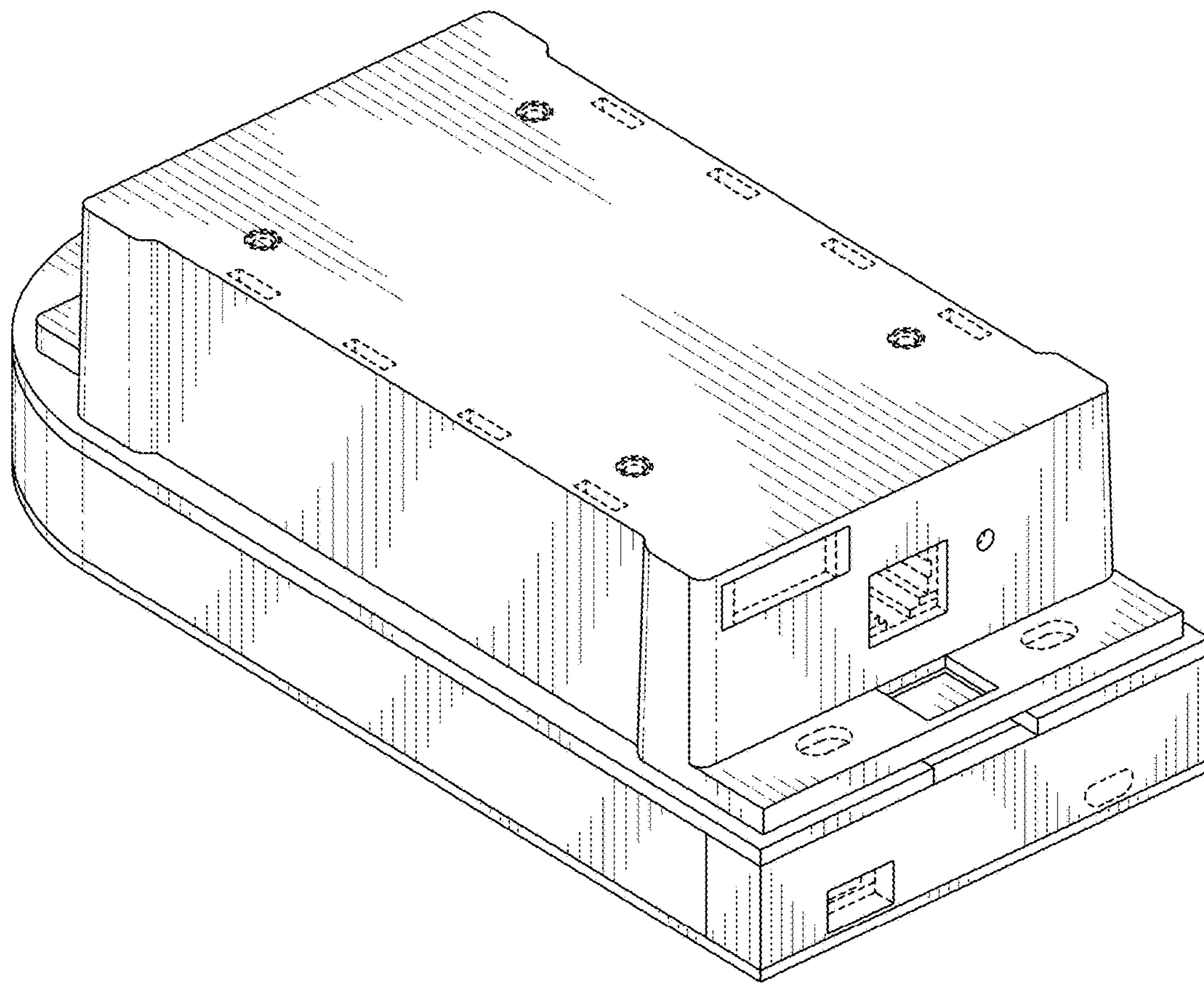


FIG. 8