

US00D865538S

(12) **United States Design Patent** (10) **Patent No.:** **US D865,538 S**  
**Ni et al.** (45) **Date of Patent:** **\*\* Nov. 5, 2019**

(54) **DIGITAL-IN-WALL TIMER**  
(71) Applicant: **Wenzhou MTLC Electric Co., Ltd,**  
Yueqing, Zhejiang (CN)  
(72) Inventors: **Lidong Ni, Yueqing (CN); Wei Gao,**  
Yueqing (CN)  
(73) Assignee: **WENZHOU MTLC ELECTRIC**  
**APPLIANCES CO., LTD, Yueqing,**  
Zhejiang (CN)

D455,359 S \* 4/2002 Stekelenburg ..... D10/40  
D500,686 S \* 1/2005 Stekelenburg ..... D10/40  
D533,512 S \* 12/2006 Nakashima ..... D13/164  
D567,119 S \* 4/2008 Ni ..... D10/40  
D575,646 S \* 8/2008 Ni ..... D10/40  
D583,337 S \* 12/2008 Ni ..... D13/171  
D640,640 S \* 6/2011 Duckworth ..... D13/162  
D656,849 S \* 4/2012 Ni ..... D10/70  
D692,331 S \* 10/2013 Ni ..... D10/70  
9,136,839 B2 \* 9/2015 Ni ..... H03K 17/941  
D744,952 S \* 12/2015 Ni ..... D13/139.3

(Continued)

(\*\*) Term: **15 Years**

(21) Appl. No.: **29/598,357**

(22) Filed: **Mar. 24, 2017**

(51) **LOC (12) Cl.** ..... **10-03**

(52) **U.S. Cl.**  
USPC ..... **D10/40; D13/162**

(58) **Field of Classification Search**  
USPC ..... D10/1, 2-3, 5-7, 14-15, 22-28, 40-41,  
D10/46.1, 46.2, 49-50, 52, 55, 59,  
D10/122-124, 126-128, 132;  
D14/170-171, 197, 218, 489-490, 492;  
D15/28; D20/20-21, 29; D7/589;  
D13/162, 162.1, 171  
CPC ..... G04B 19/00; G04B 19/04; G04B 19/042;  
G04B 19/044; G04B 19/06; G04B  
19/065; G04B 19/08; G04B 19/085;  
G04B 19/26; G04B 19/264; G04B  
45/0069; G04B 47/02; G04B 47/04;  
G04B 47/048; G04C 3/001; G04C 19/00;  
G04C 19/02; G04C 19/06; G04F 1/00;  
G04F 3/00; G04F 3/02; A47J 31/407

See application file for complete search history.

(56) **References Cited**

**U.S. PATENT DOCUMENTS**

D278,415 S \* 4/1985 Fenne ..... D10/40  
D412,155 S \* 7/1999 Gatchell ..... D13/162

**OTHER PUBLICATIONS**

Enerlites Digital Timer Switch | posted at youtube.com Nov. 2015  
[online][site visited Jul. 26, 2018]. Available from Internet: <<https://www.youtube.com/watch?v=U-msUo4wTKo>> (Year: 2015).\*

(Continued)

*Primary Examiner* — Karen E Kearney  
*Assistant Examiner* — Katherine Glennon  
(74) *Attorney, Agent, or Firm* — Ziegler IP Law Group,  
LLC

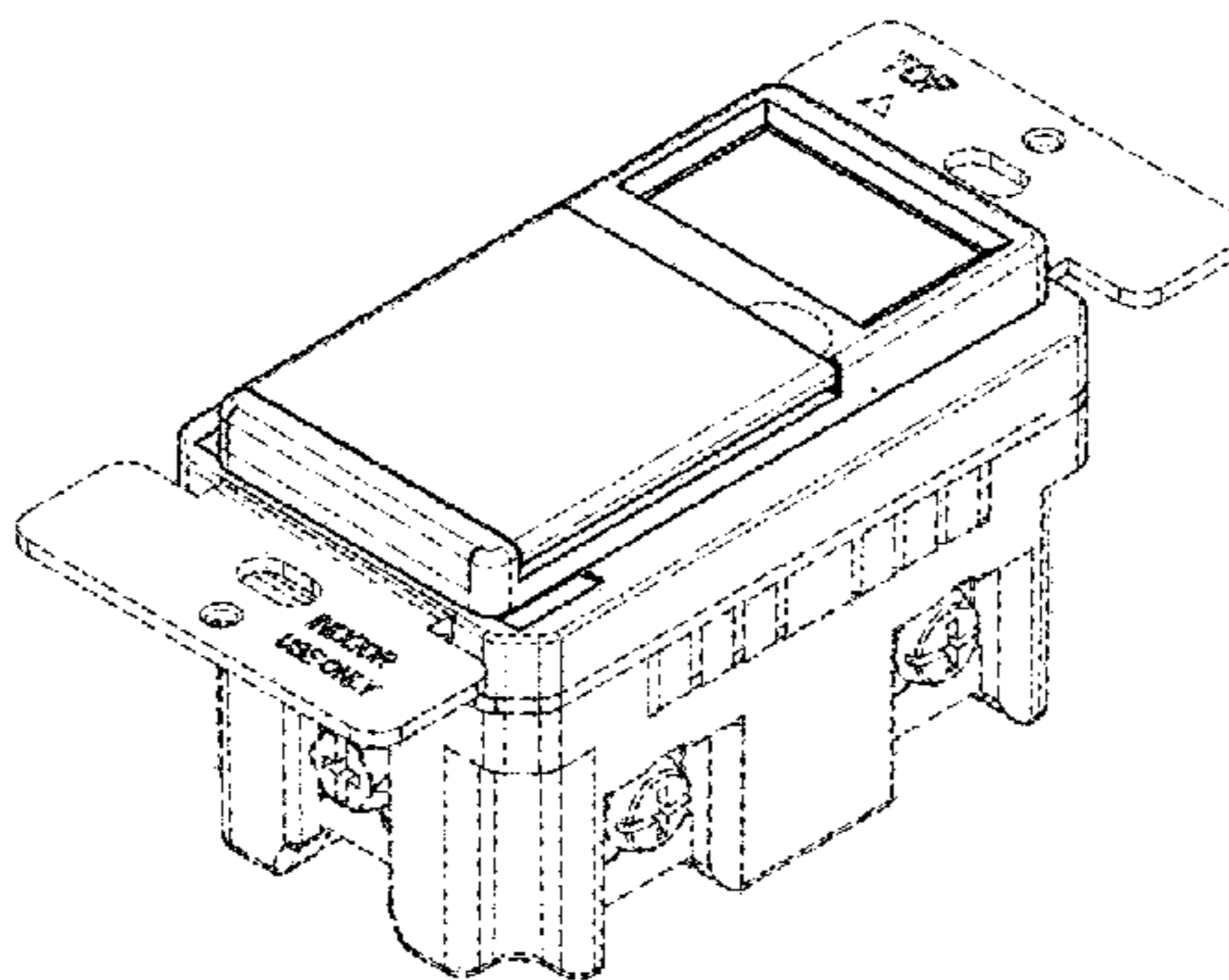
(57) **CLAIM**

The ornamental design for a digital-in-wall timer, as shown  
and described.

**DESCRIPTION**

FIG. 1 is a perspective view of a digital-in-wall timer of the  
subject disclosure;  
FIG. 2 is a closed front view thereof;  
FIG. 3 is an open front view thereof;  
FIG. 4 is a left side view thereof;  
FIG. 5 is a right side view thereof;  
FIG. 6 is a top view thereof;  
FIG. 7 is a bottom view thereof; and,  
FIG. 8 is a back view thereof.  
The broken lines show portions of the digital in-wall timer  
that form no part of the claimed design.

**1 Claim, 8 Drawing Sheets**



(56)

**References Cited**

## U.S. PATENT DOCUMENTS

D749,966 S \* 2/2016 Ni ..... D10/49  
D755,648 S \* 5/2016 Bing ..... D10/40  
D781,161 S \* 3/2017 Ni ..... D10/106.6  
D813,818 S \* 3/2018 Ni ..... D13/137.2  
2006/0125324 A1\* 6/2006 Lai Lui ..... H01H 43/00  
307/141.4  
2011/0062896 A1\* 3/2011 Chou ..... G04G 15/006  
315/362  
2014/0054976 A1\* 2/2014 Ni ..... G05D 23/24  
307/117  
2017/0115021 A1\* 4/2017 Ni ..... F24F 11/30

## OTHER PUBLICATIONS

Asian American Expo 2018 Topgreener Blog | posted at topgreener.blog Jan. 2017 [online][site visited Jul. 26, 2018]. Available from internet: <<https://topgreener.blog/asian-american-expo-2018-recap/>> (Year: 2017).\*

TopGreener Timer Switches | posted at topgreener.blog Dec. 2017 [online][site visited Jul. 26, 2018]. Available from internet: <<https://topgreener.blog/topgreener-adds-timer-switches-to-the-lineup>> (Year: 2017).\*

\* cited by examiner

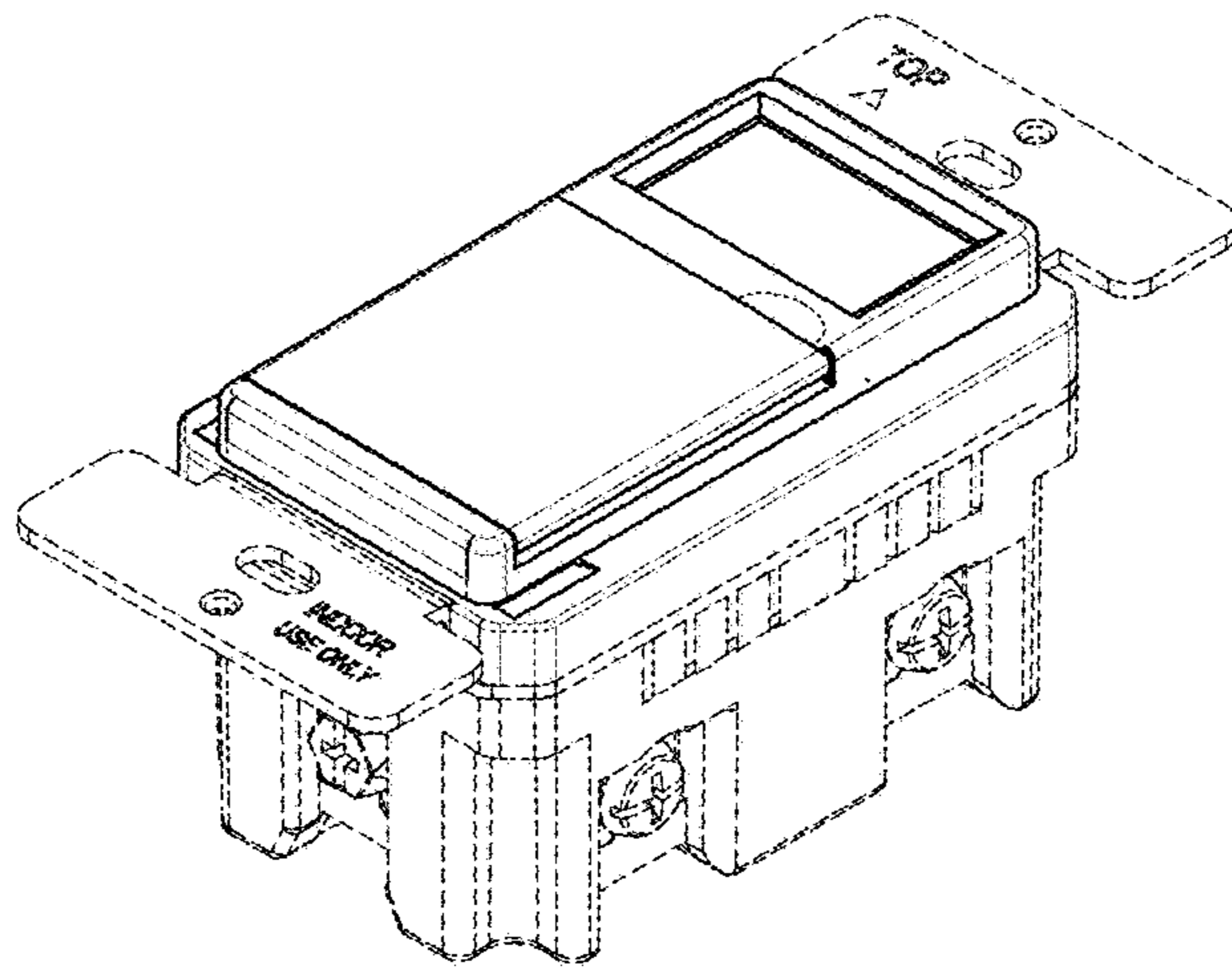
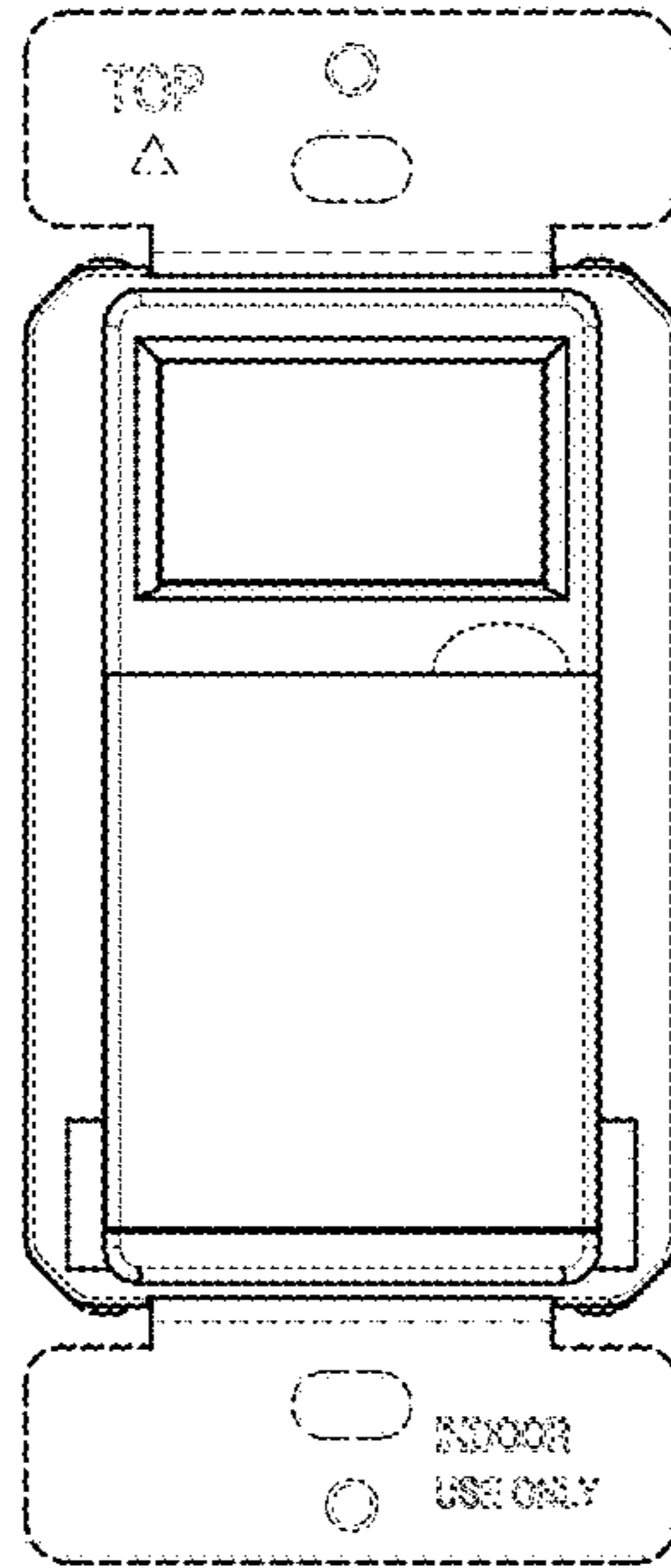


FIG 1



**FIG 2**

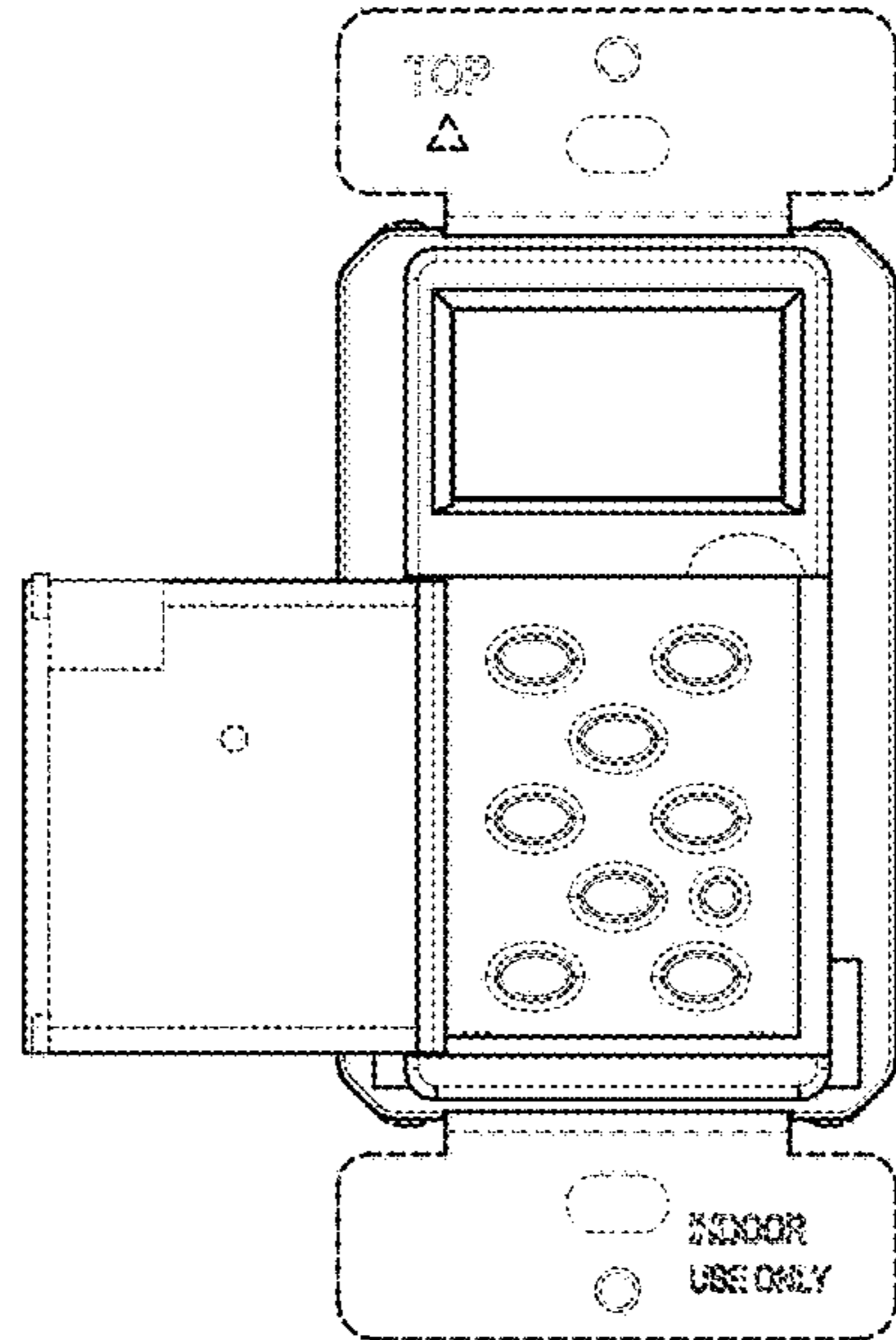


FIG 3

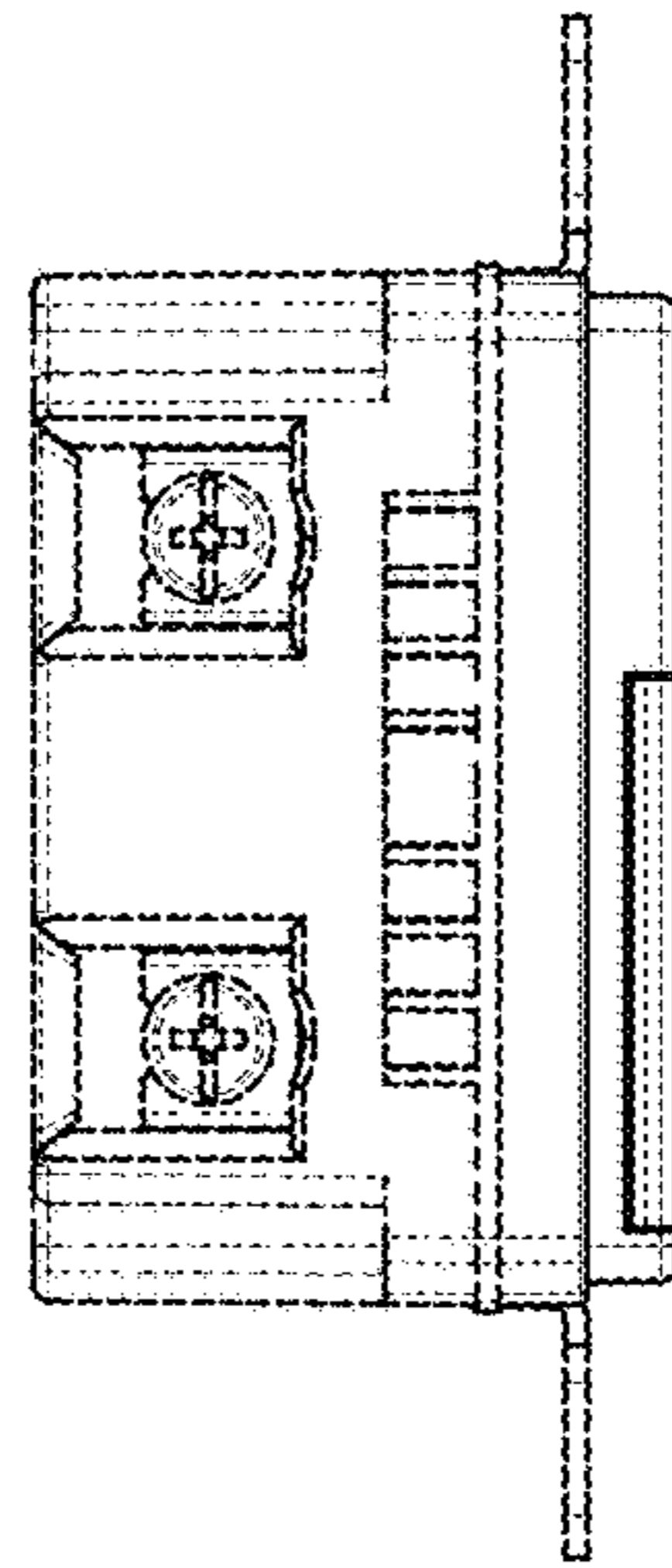


FIG 4

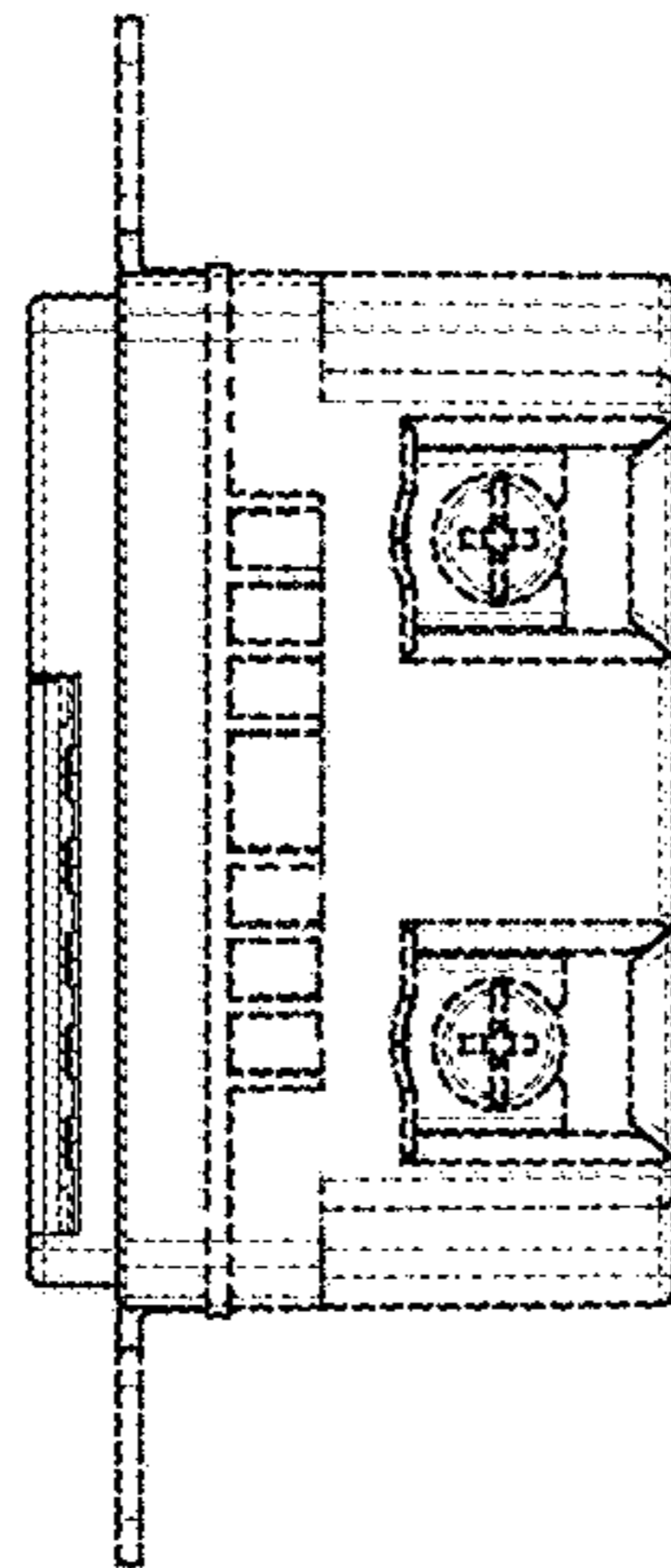
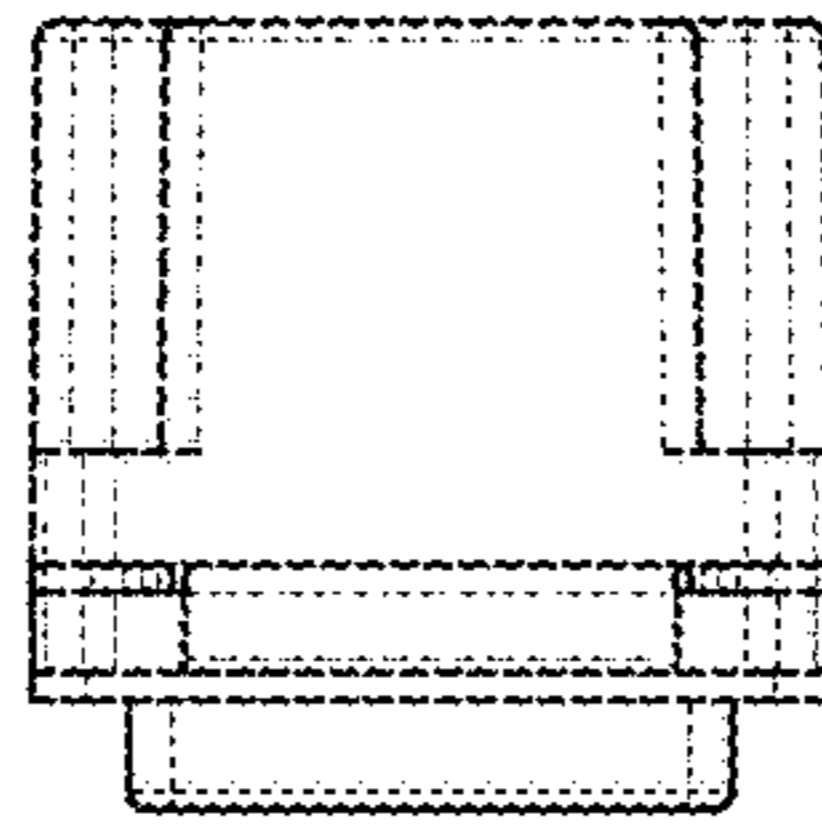
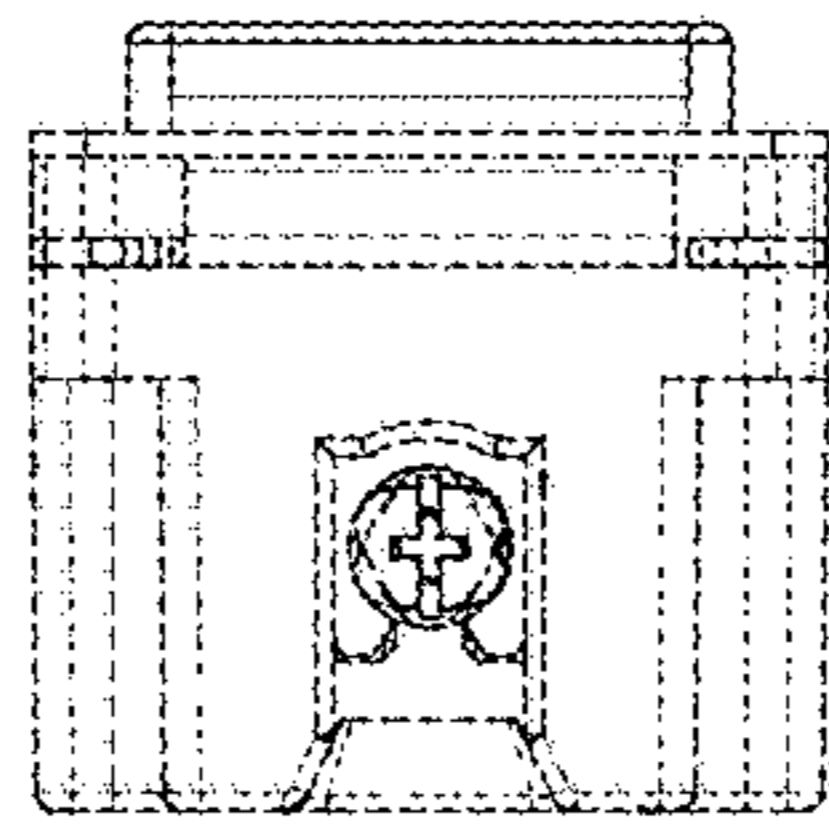


FIG 5



**FIG 6**





**FIG 7**

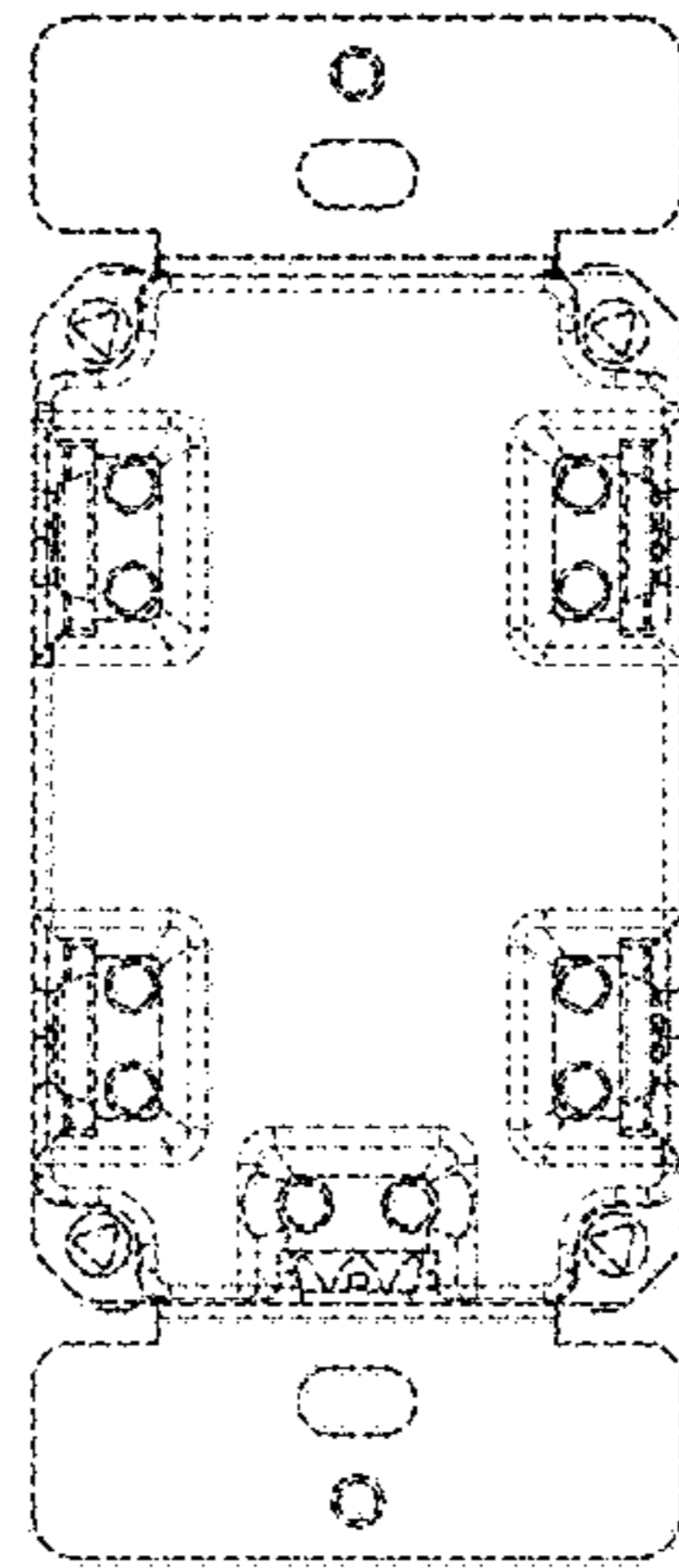


FIG 8