



US00D865535S

(12) **United States Design Patent**
Nagata

(10) **Patent No.:** **US D865,535 S**

(45) **Date of Patent:** **** Nov. 5, 2019**

- (54) **BAG**
- (71) Applicant: **Kaori Nagata**, Tokyo (JP)
- (72) Inventor: **Kaori Nagata**, Tokyo (JP)
- (73) Assignee: **SHISEIDO CO., LTD.**, Tokyo (JP)
- (**) Term: **15 Years**
- (21) Appl. No.: **29/644,006**
- (22) Filed: **Apr. 13, 2018**
- (51) **LOC (12) Cl.** **09-05**
- (52) **U.S. Cl.**
USPC **D9/707**
- (58) **Field of Classification Search**
USPC D9/702-714, 720-722, 414, 434-435,
D9/696, 716, 771, 447, 516-517,
D9/738-747, 544, 520-521; D24/118,
D24/207, 108; 383/6, 9, 22, 96, 61.1,
383/80-81, 104, 901, 63, 203, 107,
383/119-120, 123, 61.2, 44; 220/675,
220/495.03; 215/381-385, 400, 328, 316;
206/484; D3/202; 428/34.3; 222/92,
222/215, 95, 107; 604/408, 403, 415
CPC ... B65D 1/00; B65D 1/02; B65D 1/09; B65D
1/10; B65D 1/32; B65D 1/0223; B65D
33/00; B65D 33/24; B65D 31/00; B65D
31/10; B65D 31/16
See application file for complete search history.

- D768,007 S * 10/2016 Kim D9/710
- D819,452 S * 6/2018 Chang D9/707
- D843,845 S * 3/2019 Sutherland D9/695

* cited by examiner

Primary Examiner — Abraham Bahta

(74) *Attorney, Agent, or Firm* — Manabu Kanesaka

(57) **CLAIM**

The ornamental design for bag, as shown and described.

DESCRIPTION

The file of this patent contains at least one drawing/photograph executed in color. Copies of this patent with color drawing(s)/photograph(s) will be provided by the Office upon request and payment of the necessary fee.

FIG. 1 is a front view of a bag showing my new design, a rear view being identical to the front view;

FIG. 2 is a top plan view thereof;

FIG. 3 is a bottom view thereof;

FIG. 4 is a right side view thereof, a left side view being identical to the right side view; and,

FIG. 5 is a reference view of a usage state.

The broken lines showing the eye mask, are for illustration purposes and form no part of claimed design.

(56) **References Cited**

U.S. PATENT DOCUMENTS

- D578,014 S * 10/2008 Friedland D9/707
- D578,019 S * 10/2008 Friedland D9/707
- D646,182 S * 10/2011 Clark D9/710
- D742,248 S * 11/2015 Burton D9/710

1 Claim, 2 Drawing Sheets

(2 of 2 Drawing Sheet(s) Filed in Color)

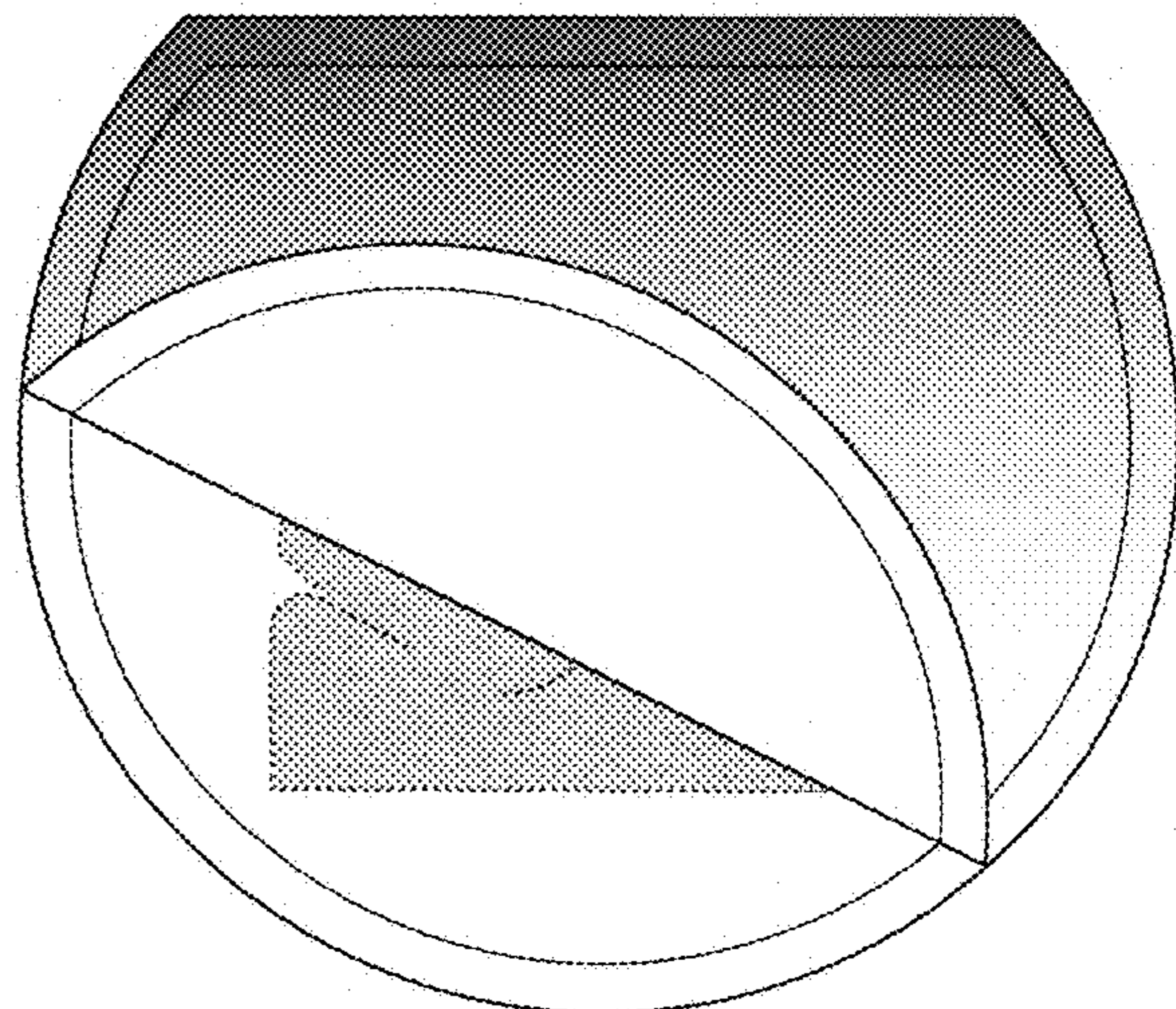
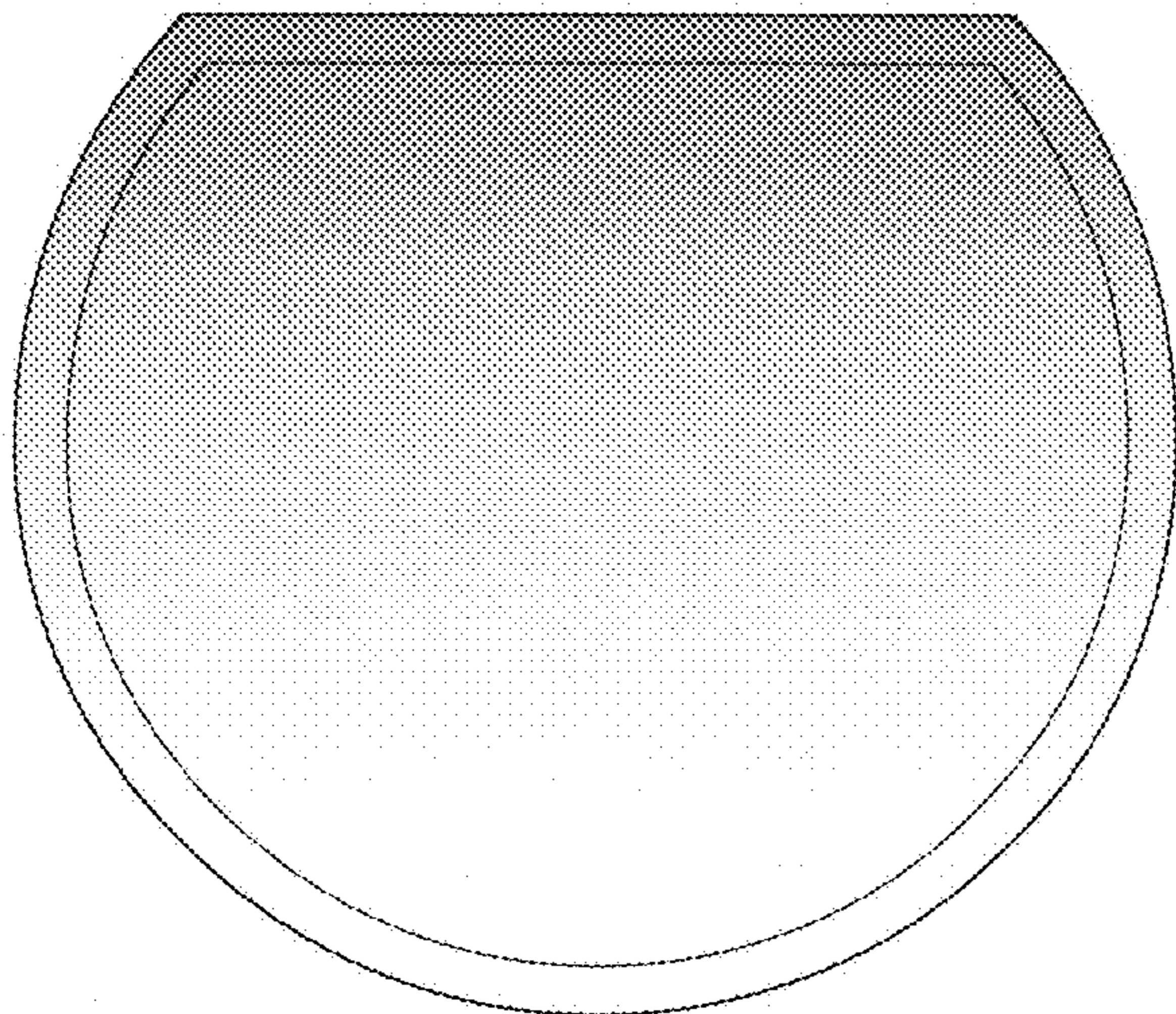


Fig. 1

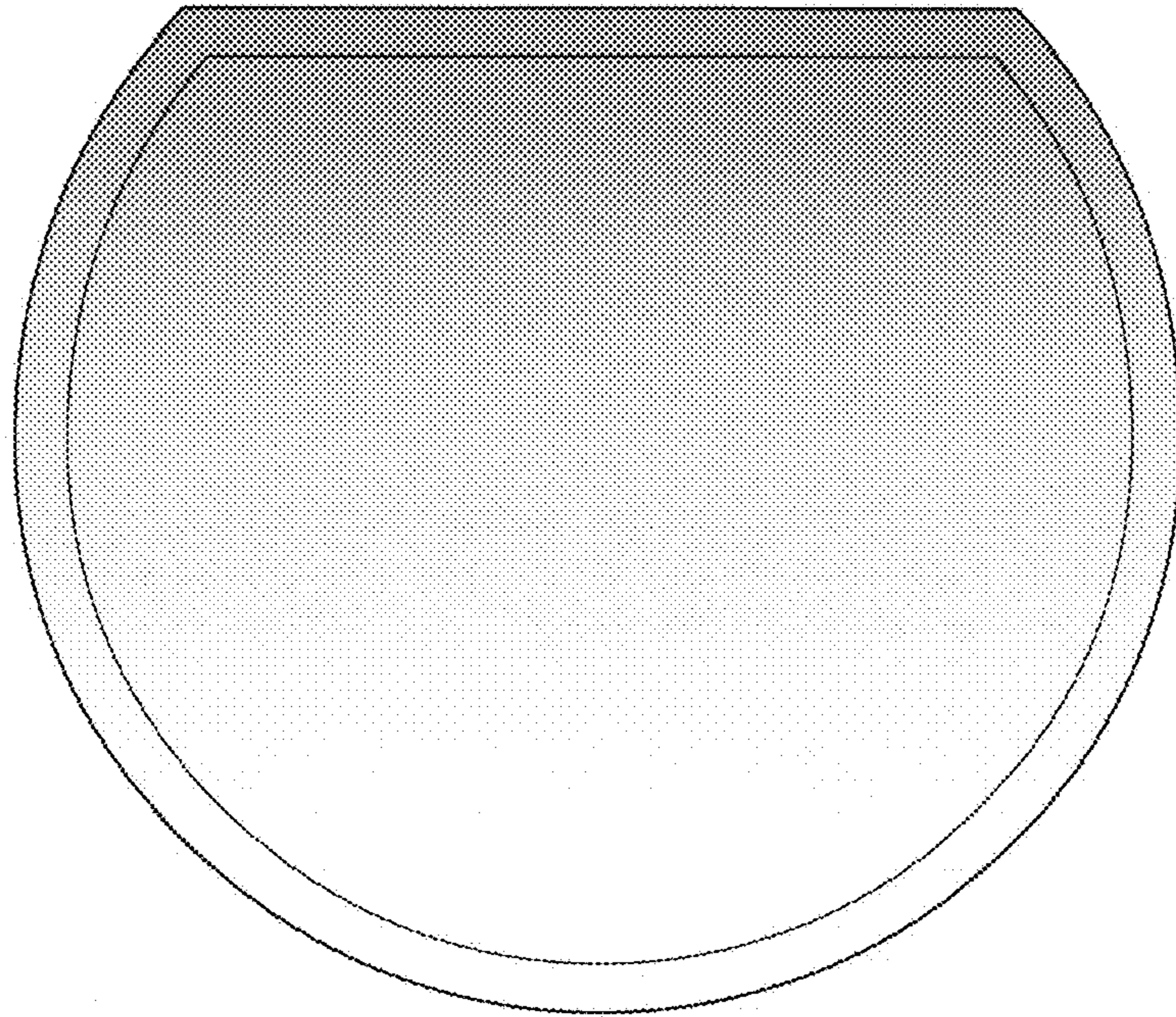


Fig. 2



Fig. 3

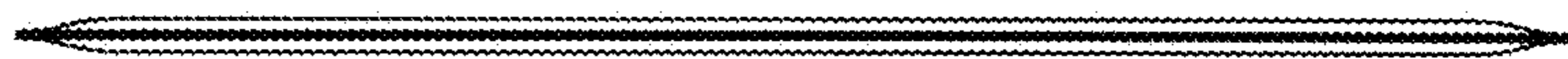


Fig.4



Fig.5

