



US00D865531S

(12) **United States Design Patent** (10) **Patent No.:** **US D865,531 S**
Bock-Aronson et al. (45) **Date of Patent:** **** Nov. 5, 2019**

- (54) **BEVERAGE CARTRIDGE**
- (71) Applicant: **Watson Investor Communications, LLC**, Noblesville, IN (US)
- (72) Inventors: **Max Bock-Aronson**, Minneapolis, MN (US); **Joel Valdez, Jr.**, Minneapolis, MN (US); **Jorge Alberto Treviño Blanco**, Nuevo Leon (MX)
- (73) Assignee: **Watson Investor Communications, LLC**, Noblesville, IN (US)
- (**) Term: **15 Years**
- (21) Appl. No.: **29/604,716**
- (22) Filed: **May 19, 2017**
- (51) **LOC (12) Cl.** **09-01**
- (52) **U.S. Cl.**
USPC **D9/559**; D9/575; D9/530
- (58) **Field of Classification Search**
USPC D9/453, 454, 516, 520, 521, 530, 544, D9/546, 559, 560, 563, 564, 572-575, D9/715, 719, 743-745
CPC . B65D 21/0204; B65D 21/02; B65D 21/0213
See application file for complete search history.

- (56) **References Cited**
U.S. PATENT DOCUMENTS
D387,278 S * 12/1997 Olivares D9/541
D445,692 S * 7/2001 Meeker D9/530
D563,793 S * 3/2008 Nomoto D9/530
D567,096 S * 4/2008 Toh D9/542
D573,476 S * 7/2008 Hopkins D9/537

D573,882 S *	7/2008	Toh	D9/516
D645,756 S *	9/2011	Zummo	D9/542
D731,894 S *	6/2015	Meyer	D9/453
D740,680 S *	10/2015	Christian	D9/561
D774,914 S *	12/2016	Kuzma	D9/543
D792,781 S *	7/2017	Shaver	D9/563
2004/0099673 A1 *	5/2004	Burgassi	B65D 1/0223 220/669
2009/0255893 A1 *	10/2009	Zummo	B65D 1/0223 215/10

* cited by examiner

Primary Examiner — Ian Simmons
Assistant Examiner — Keith Frank

(74) *Attorney, Agent, or Firm* — Woodard, Emhardt, Henry, Reeves & Wagner, LLP; William McKenna; Thomas Henry

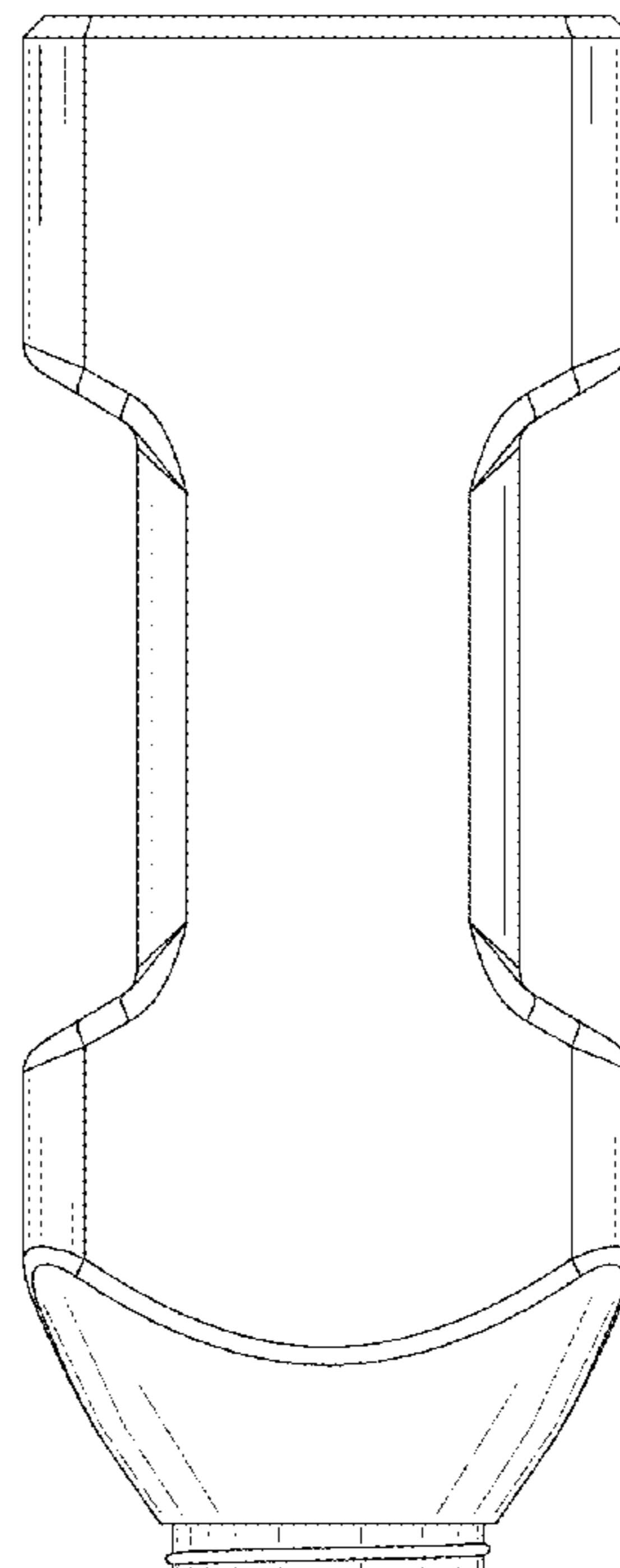
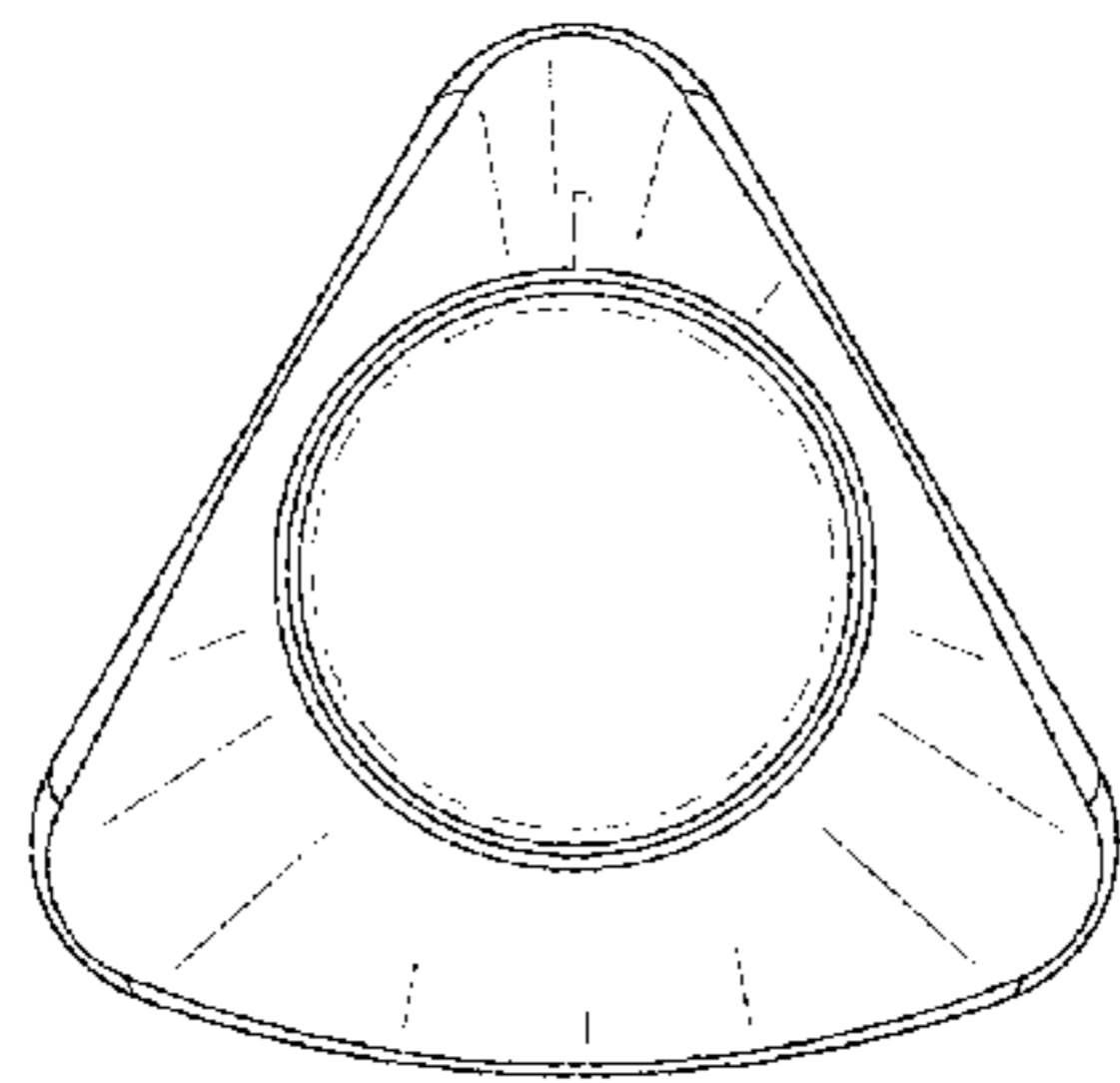
(57) **CLAIM**
 The ornamental design for a beverage cartridge, as shown and described.

DESCRIPTION

FIG. 1 is a front left perspective view of a beverage cartridge showing our new design;
 FIG. 2 is a front right perspective view thereof;
 FIG. 3 is a left side elevation view thereof;
 FIG. 4 is a right side elevation view thereof;
 FIG. 5 is a top plan view thereof;
 FIG. 6 is a bottom plan view thereof; and,
 FIG. 7 is a rear elevation view thereof.

The broken lines in the drawings the beverage cartridge illustrate the portions of the beverage cartridge that form no part of the claimed design.

1 Claim, 3 Drawing Sheets



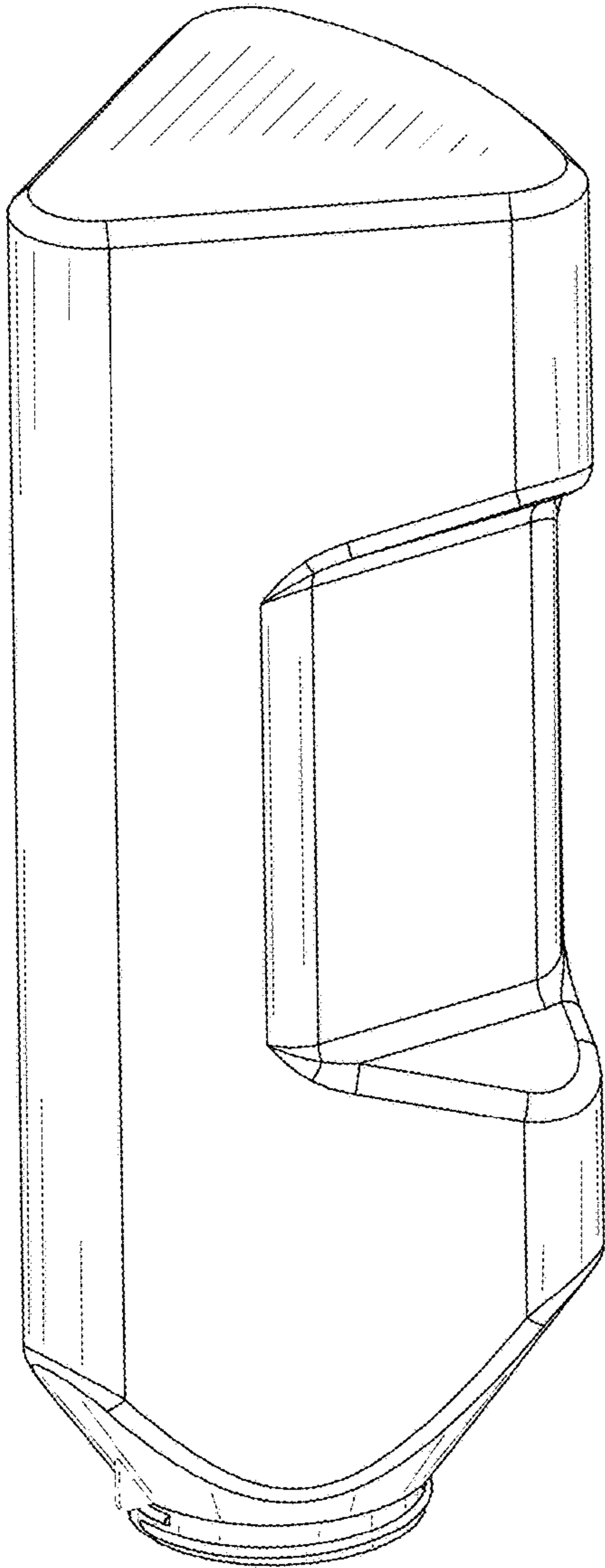


Fig. 1

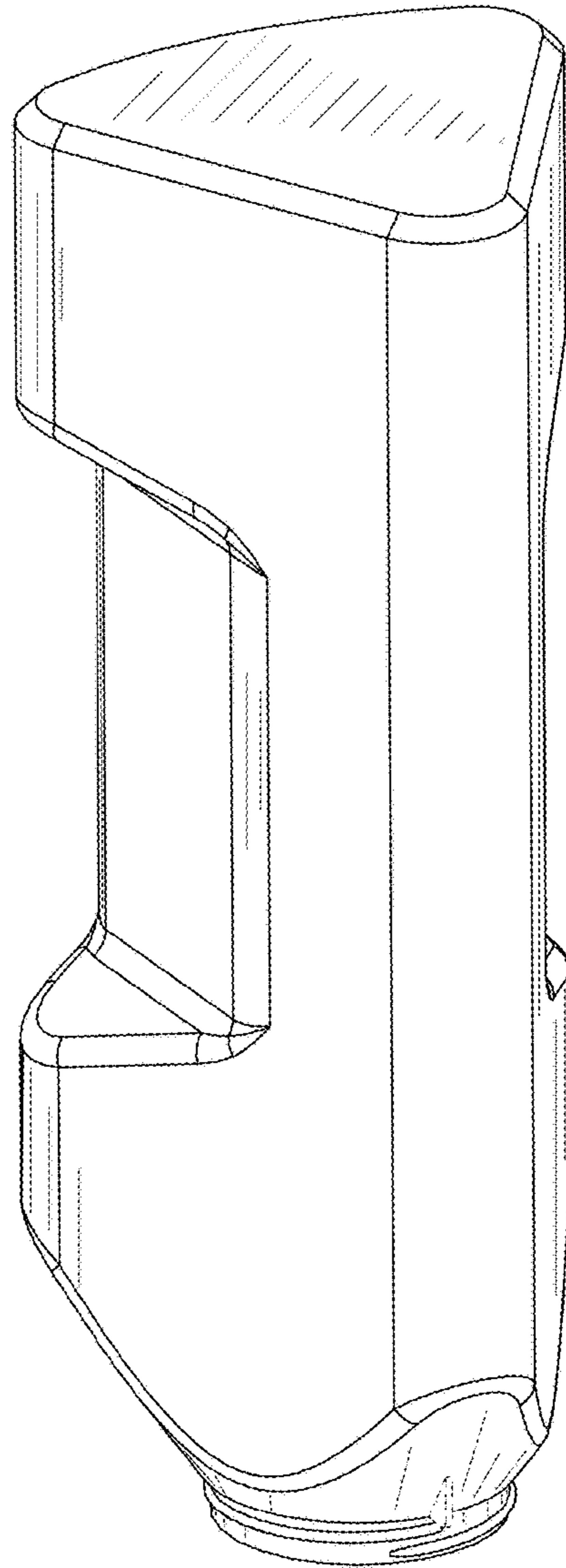


Fig. 2

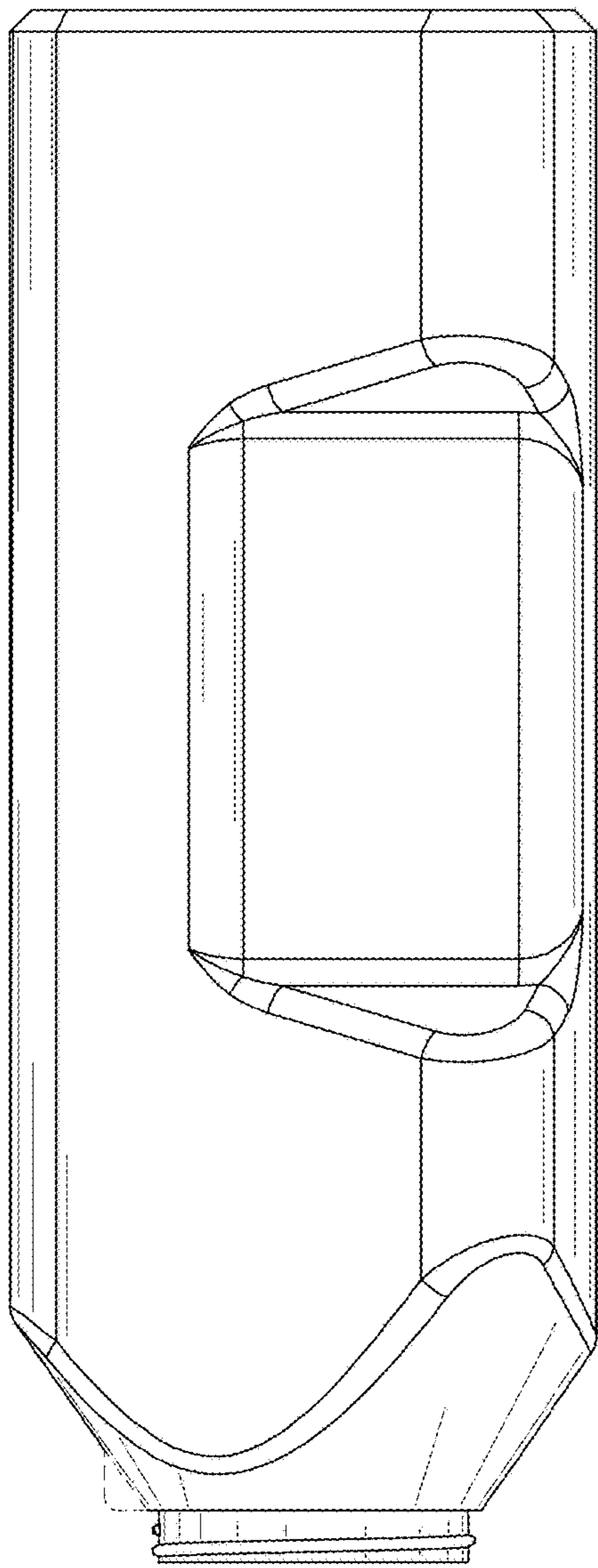


Fig. 3

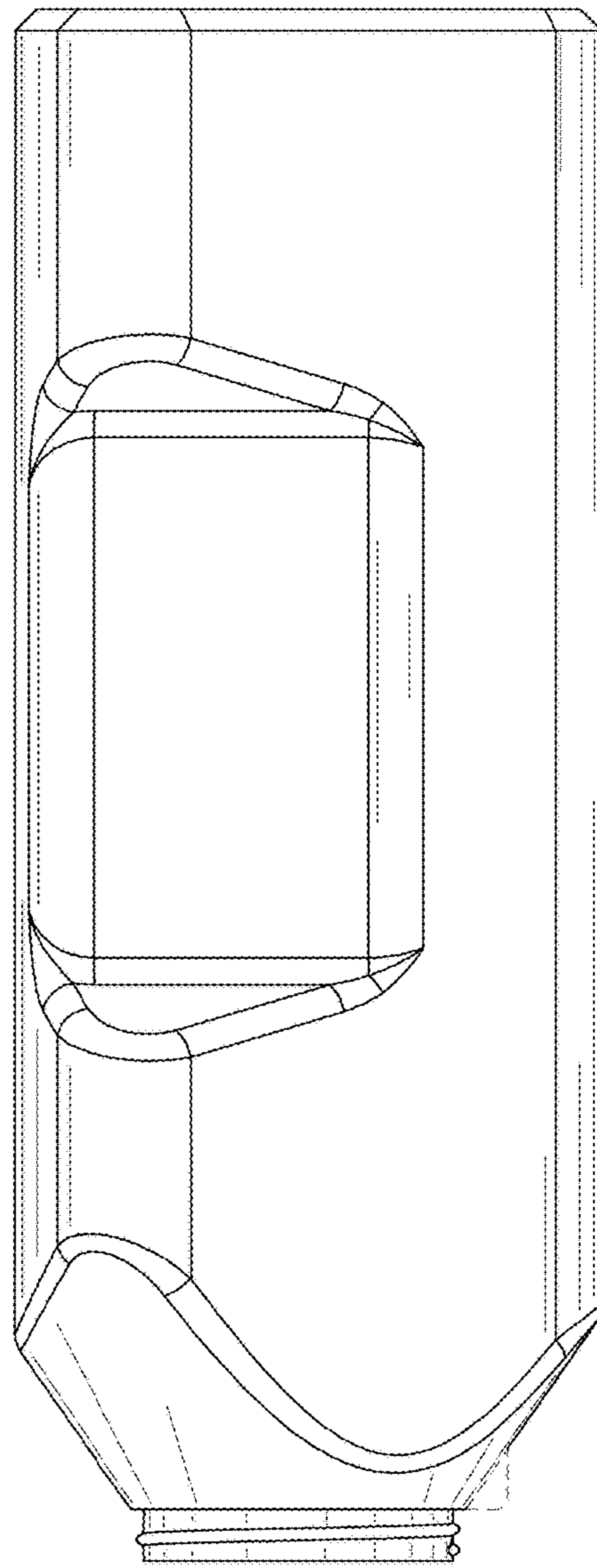


Fig. 4

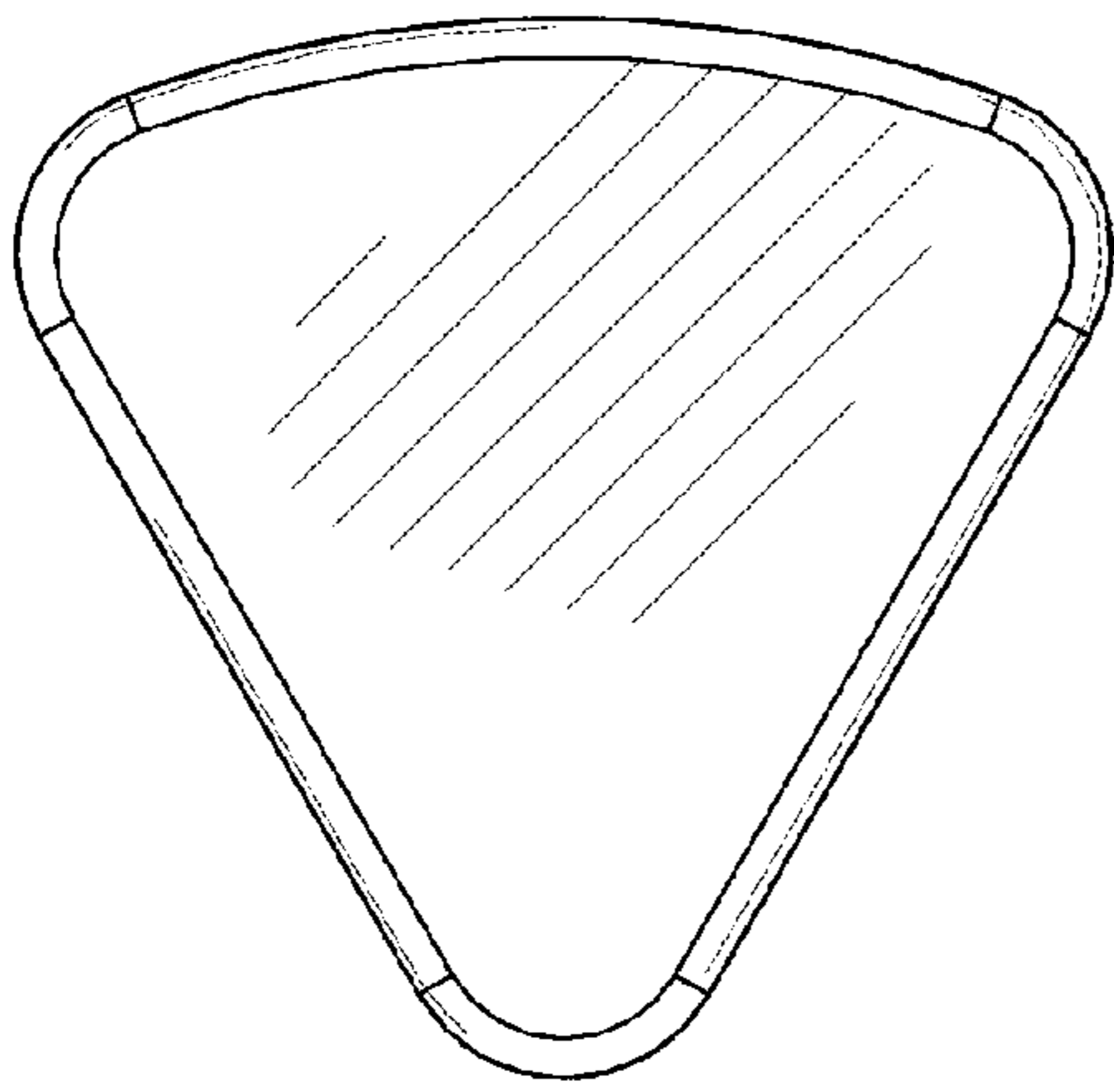


Fig. 5

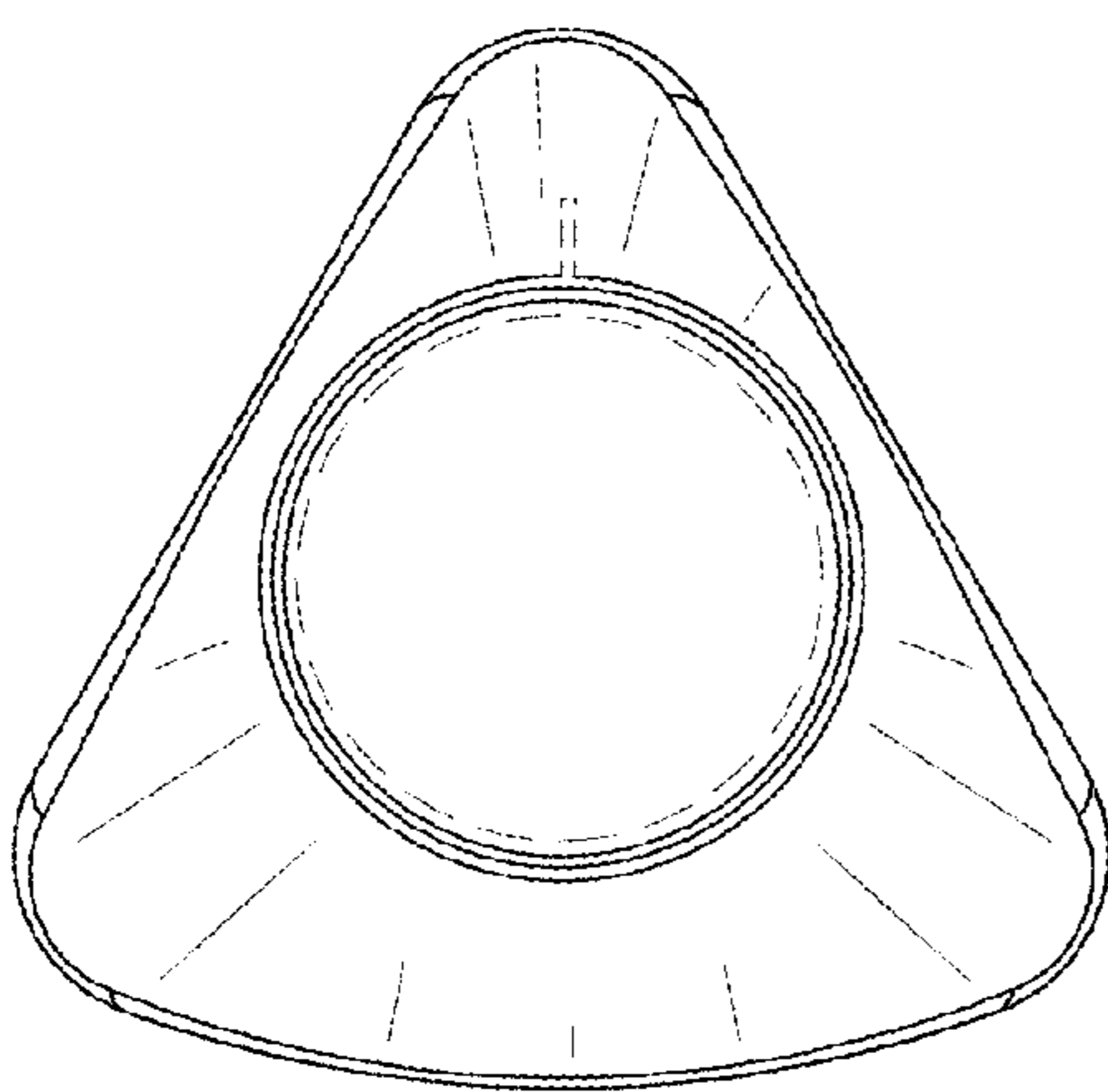


Fig. 6

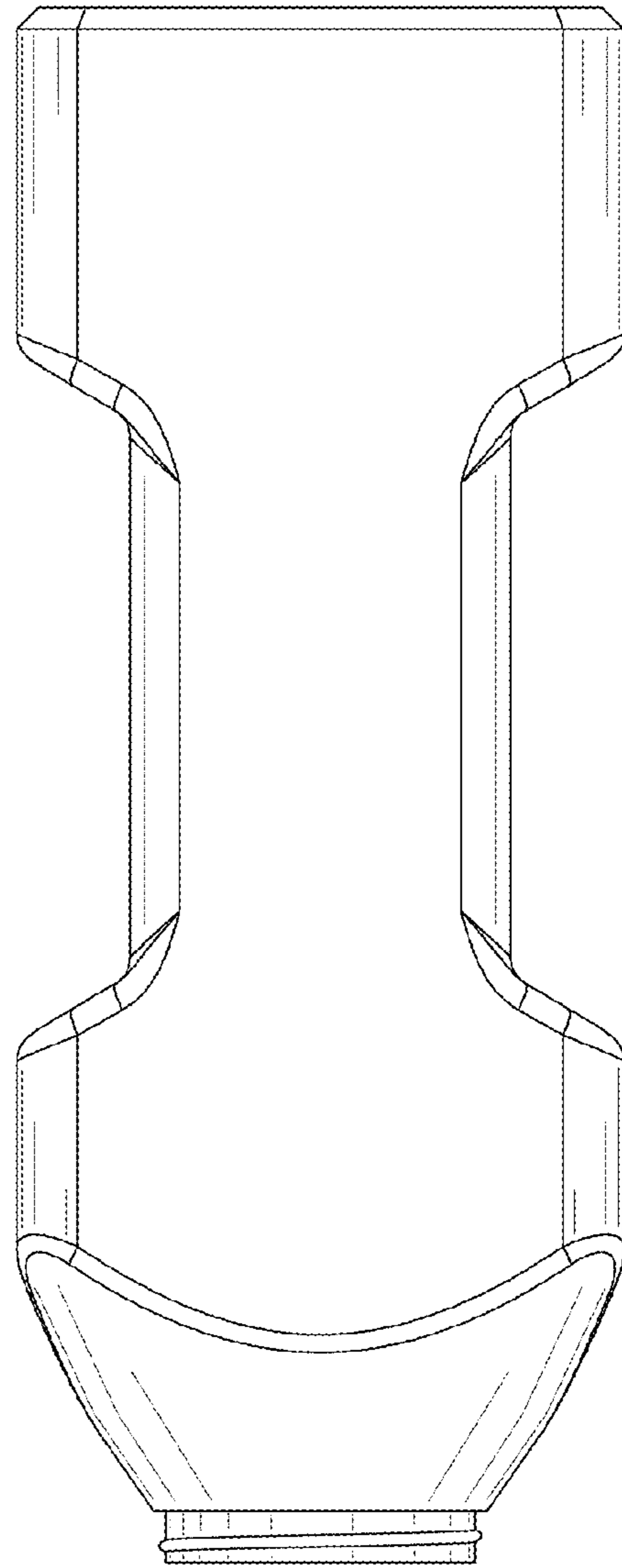


Fig. 7