



US00D865528S

(12) **United States Design Patent**
Barnier et al.

(10) **Patent No.:** **US D865,528 S**

(45) **Date of Patent:** **** Nov. 5, 2019**

(54) **BOTTLE**

(71) Applicant: **Cutwater Spirits, LLC**, San Diego, CA (US)

(72) Inventors: **Daniel Paul Barnier**, San Diego, CA (US); **Drew Vereen**, San Diego, CA (US)

(73) Assignee: **CUTWATER SPIRITS, LLC**, San Diego, CA (US)

(**) Term: **15 Years**

(21) Appl. No.: **29/653,312**

(22) Filed: **Jun. 14, 2018**

(51) **LOC (12) Cl.** **09-01**

(52) **U.S. Cl.**

USPC **D9/516**; D9/545; D9/552

(58) **Field of Classification Search**

USPC D9/500, 503–505, 516, 530, 537,
D9/539–540, 544–545, 549, 552, 558,
D9/575, 715, 719

CPC B65D 1/00; B65D 1/02; B65D 1/0223;
B65D 23/00; B65D 81/00; B65D
2501/00; B65D 2501/0009

See application file for complete search history.

(56) **References Cited**

U.S. PATENT DOCUMENTS

D179,984 S * 4/1957 Salamon D9/500
3,331,521 A * 7/1967 Paige B65D 85/307
206/433
D255,544 S * 6/1980 Humphries D9/764

D258,198 S * 2/1981 Segal D9/502
D291,658 S * 9/1987 Klette D9/504
D295,372 S * 4/1988 Klette D9/500
D298,917 S * 12/1988 Krohn D9/558
D382,806 S * 8/1997 Wilson D9/502
D399,424 S * 10/1998 Young D9/500
D410,197 S * 5/1999 Herrin D9/502
D427,528 S * 7/2000 Krueger D9/503
D657,247 S * 4/2012 Nemeth D9/502
D696,119 S * 12/2013 Evans D9/500
D706,634 S * 6/2014 Herman D9/500
D756,784 S * 5/2016 Fine D9/500
D806,549 S * 1/2018 Laib D9/500
D807,178 S * 1/2018 Laib D9/500

* cited by examiner

Primary Examiner — Dana Meyrow

(74) *Attorney, Agent, or Firm* — David P. Kujawa

(57) **CLAIM**

The ornamental design for a bottle, as shown and described.

DESCRIPTION

FIG. 1 is a top, front, perspective view of a bottle according to the present invention.

FIG. 2 is a rear perspective view of the bottle of FIG. 1.

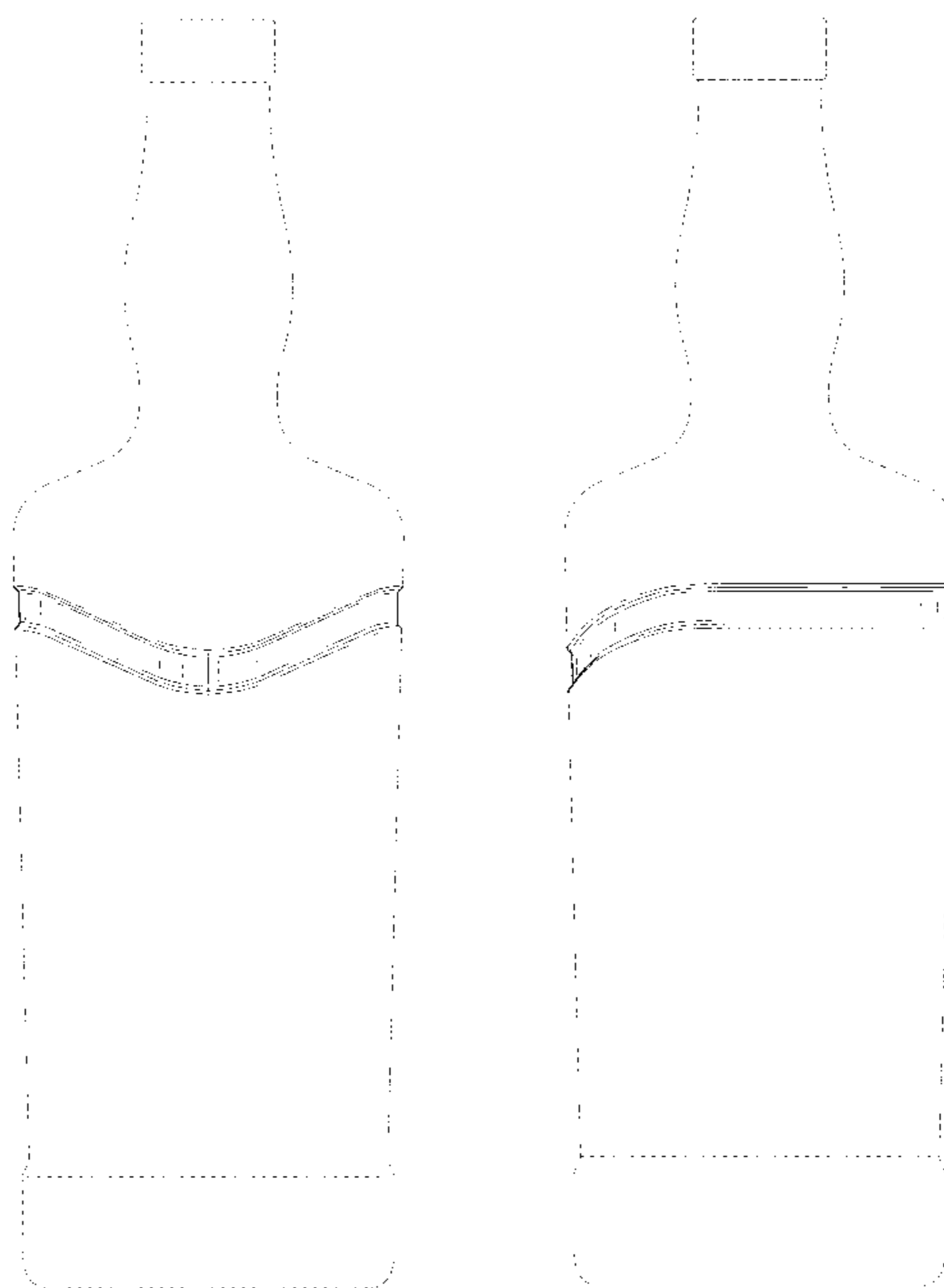
FIG. 3 is a front view of the bottle of FIG. 1.

FIG. 4 is a rear view of the bottle of FIG. 1; and,

FIG. 5 is a side view of the bottle of FIG. 1. The right and left side view of the bottle are the same.

The broken lines in the drawings illustrate the portions of the bottle that form no part of the claim. The top and bottom bounds of the claim extends to the edge of the contouring shade lines.

1 Claim, 5 Drawing Sheets



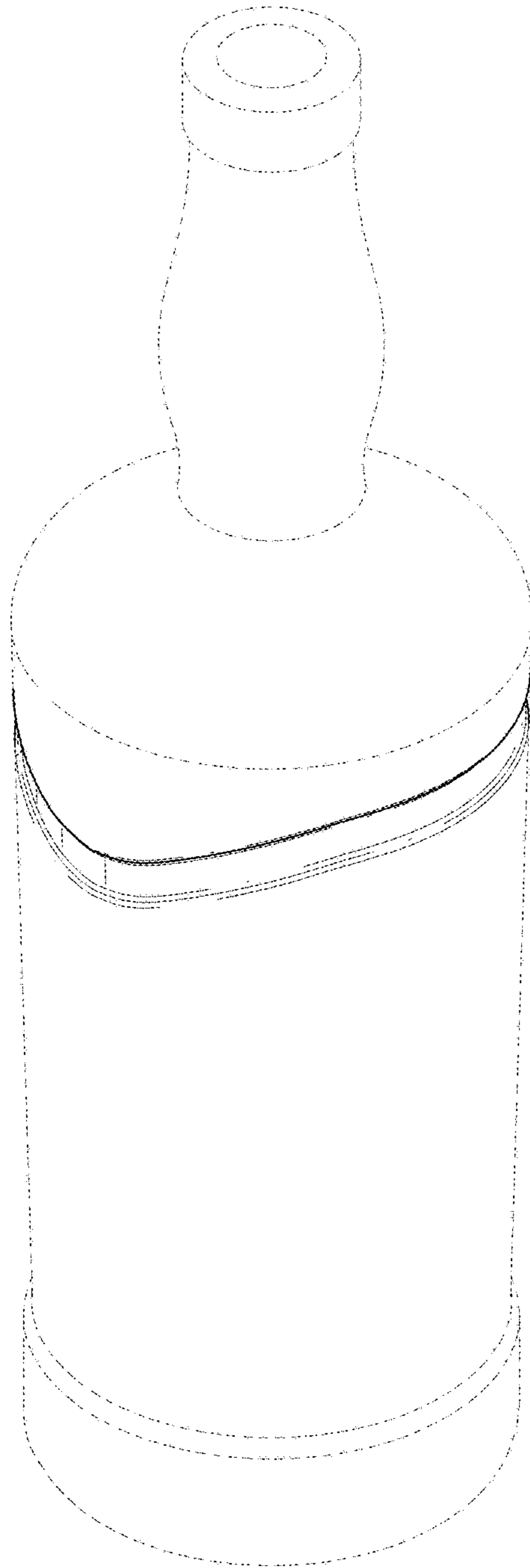


FIG. 1

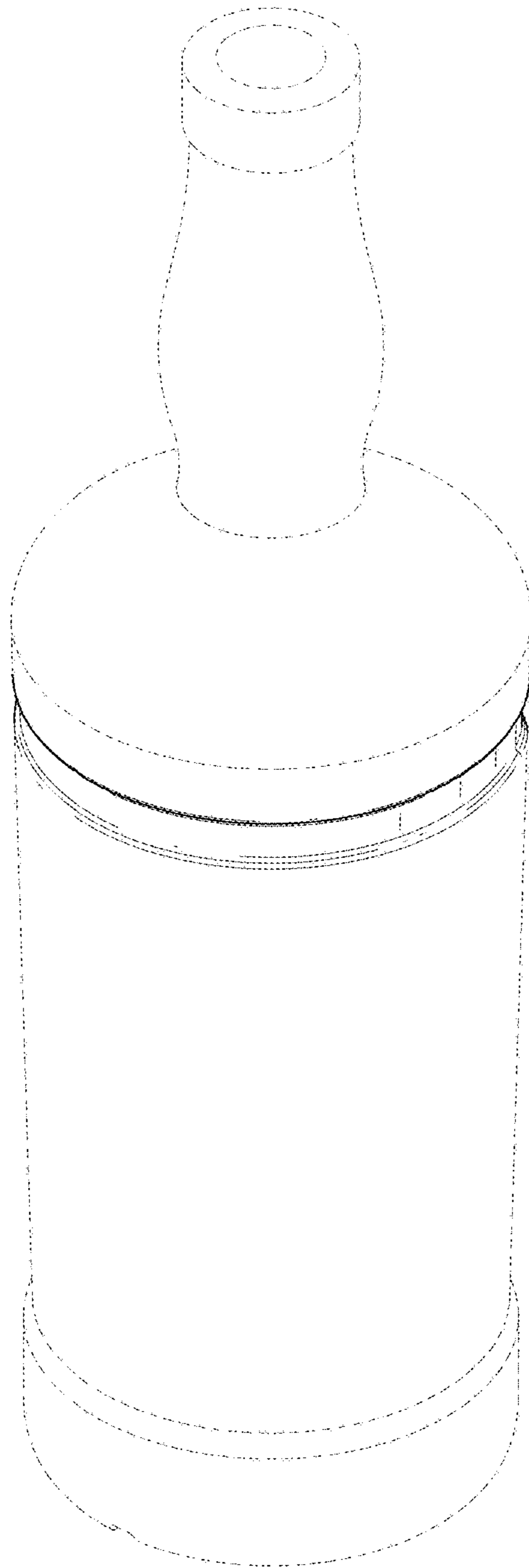


FIG. 2

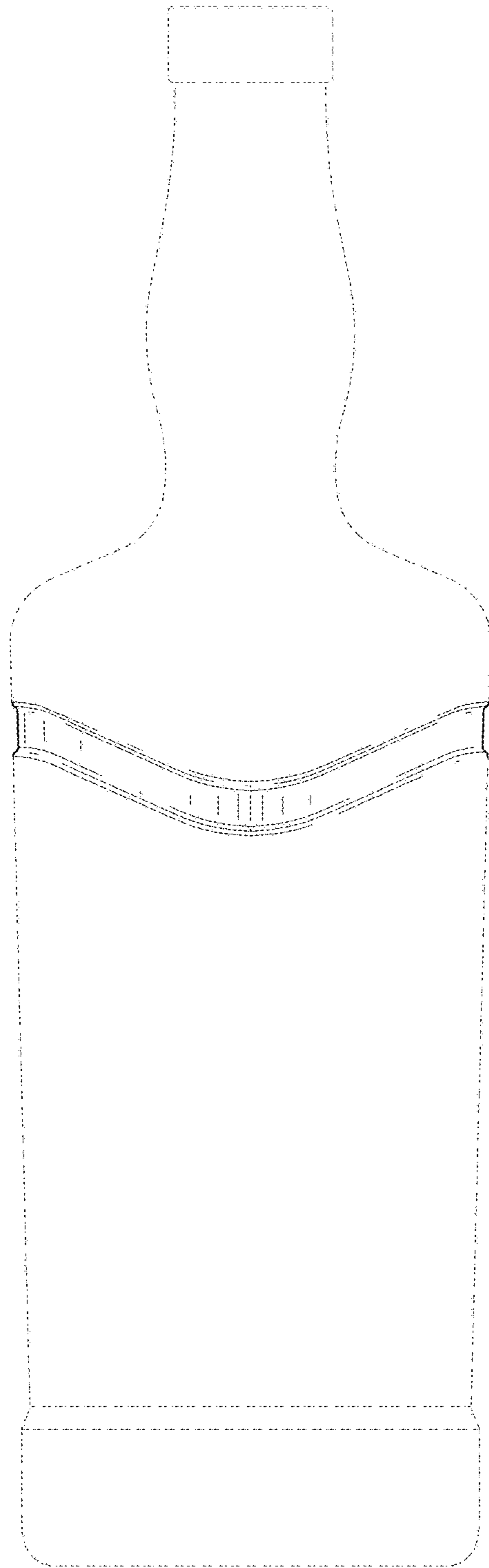


FIG. 3

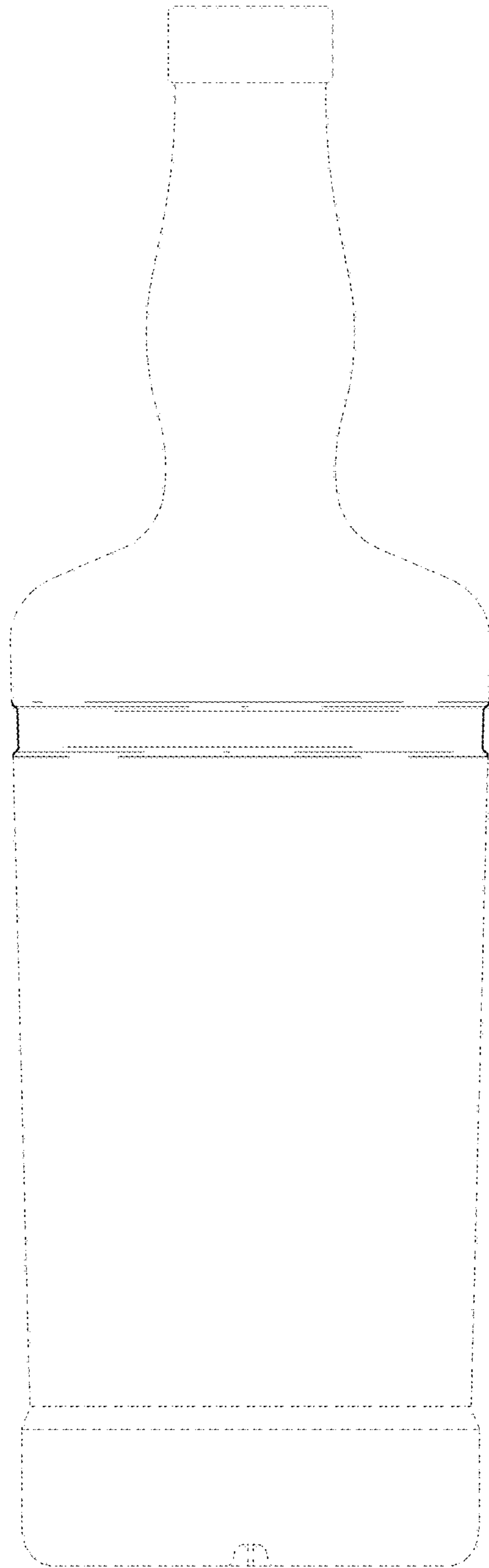


FIG. 4

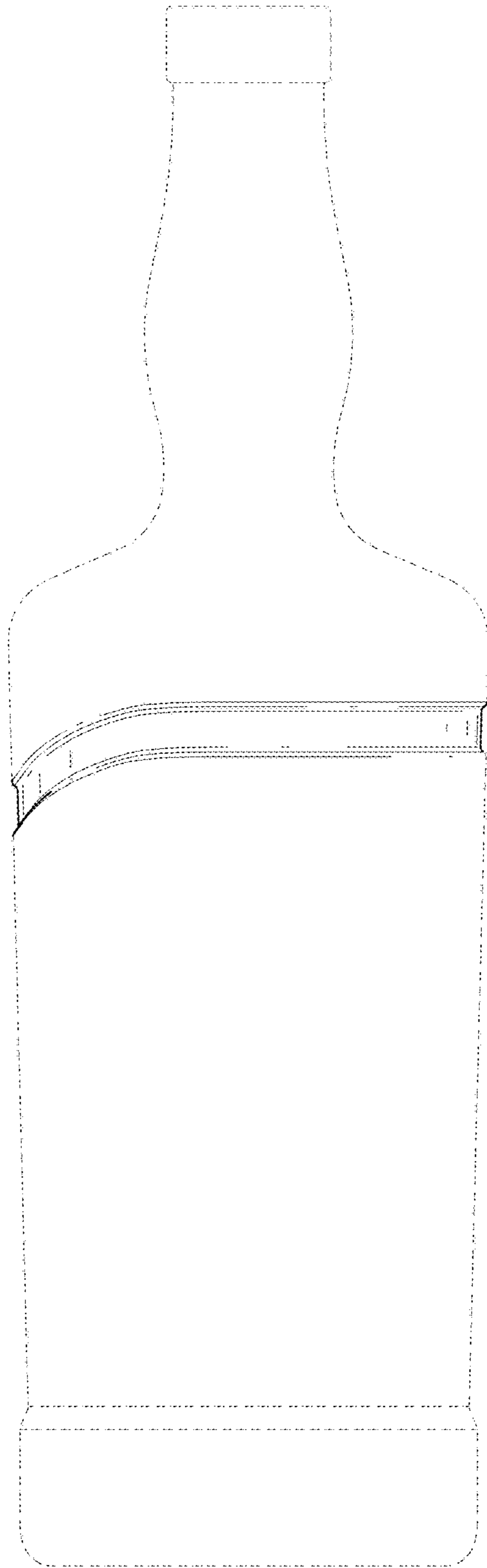


FIG. 5