



US00D865525S

(12) **United States Design Patent**
Staab et al.

(10) **Patent No.:** **US D865,525 S**

(45) **Date of Patent:** **** Nov. 5, 2019**

(54) **COSMETIC CONTAINER**

(71) Applicant: **Mary Kay Inc.**, Addison, TX (US)

(72) Inventors: **Jenny DeMarco Staab**, Addison, TX (US); **Tammy Schriewer**, Addison, TX (US)

(73) Assignee: **Mary Kay Inc.**, Addison, TX (US)

(**) Term: **15 Years**

(21) Appl. No.: **29/680,112**

(22) Filed: **Feb. 13, 2019**

Related U.S. Application Data

(60) Continuation of application No. 29/610,191, filed on Jul. 10, 2017, now Pat. No. Des. 844,441, which is a continuation of application No. 29/537,050, filed on Aug. 21, 2015, now Pat. No. Des. 795,075, which is a division of application No. 29/502,064, filed on Sep. 11, 2014, now Pat. No. Des. 739,739.

(51) **LOC (12) Cl.** **09-01**

(52) **U.S. Cl.**
USPC **D9/504**; D9/451; D9/454

(58) **Field of Classification Search**
USPC D9/434-435, 444-445, 451, 454, 500, D9/503-505, 516, 529-530, 537, 539, D9/544-545, 549, 558, 682, 686, D9/688-691, 715, 719; D28/4, 8, 73, D28/76-77

CPC B65D 1/00; B65D 1/02; B65D 1/0207; B65D 1/0223; B65D 1/10; B65D 23/00; B65D 2501/00; B65D 2501/0009

See application file for complete search history.

(56) **References Cited**

U.S. PATENT DOCUMENTS

D59,583 S 11/1921 Green
2,068,759 A 1/1937 La Douce

D131,202 S 1/1942 Vevirit
D139,381 S 11/1944 Harris
2,711,766 A 6/1955 Archer et al.
2,793,012 A 5/1957 Wolf
D189,374 S 11/1960 Harris
3,464,599 A 9/1969 Meth
D237,926 S 12/1975 Katzander
D240,887 S 8/1976 Daenen
D253,037 S 10/1979 Barouh

(Continued)

FOREIGN PATENT DOCUMENTS

CN 91302498.8 9/1992
CN 97330350.6 12/1998

(Continued)

OTHER PUBLICATIONS

“A New Beauty Brand is Born; The Estée Lauder Companies Inc. Unveils Osiao” Emirates Week, Oct. 3, 2012. Web. Dec. 27, 2013. <http://www.emiratesweek.com/2012/10/29294>.

(Continued)

Primary Examiner — Dana Meyrow

(74) *Attorney, Agent, or Firm* — Norton Rose Fulbright US LLP

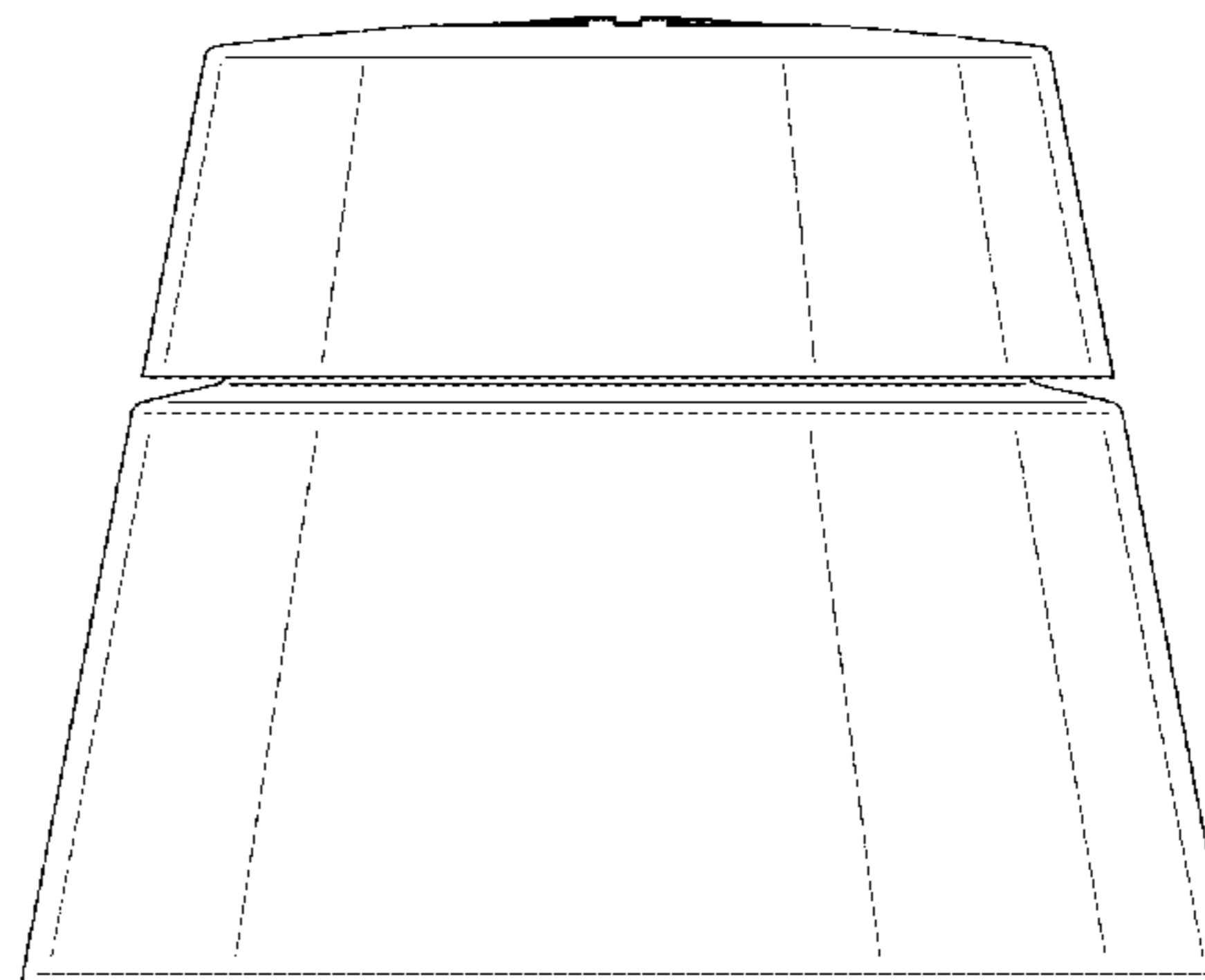
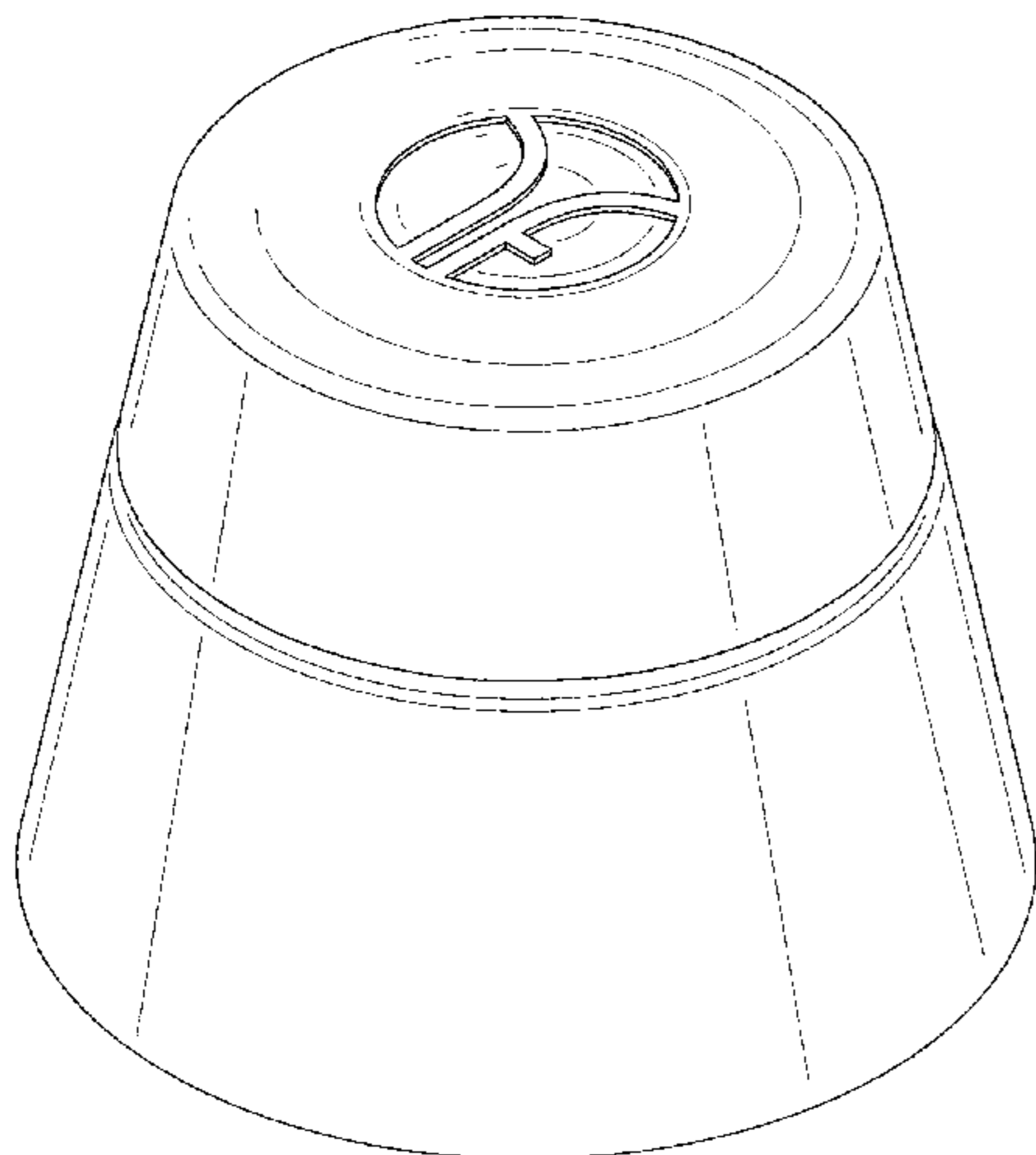
(57) **CLAIM**

The ornamental design for a cosmetic container, as shown and described.

DESCRIPTION

FIG. 1 is a perspective view of a cosmetic container showing our new design;
FIG. 2 is a front elevation view thereof;
FIG. 3 is a rear elevation view thereof;
FIG. 4 is a right side elevation view thereof;
FIG. 5 is a left side elevation view thereof; and,
FIG. 6 is a top plan view thereof.

1 Claim, 6 Drawing Sheets



(56)

References Cited

U.S. PATENT DOCUMENTS

D271,082 S 10/1983 Jackson
 D278,598 S 4/1985 Weber
 D285,655 S 9/1986 MachLaughlin et al.
 D355,098 S 2/1995 Lin
 D372,644 S 8/1996 Husted
 D373,730 S 9/1996 Baron
 D402,894 S 12/1998 Elia
 D405,003 S 2/1999 Dapsanse
 D406,921 S 3/1999 Roeder
 D423,924 S 5/2000 Laracy
 D434,324 S 11/2000 Gobe
 D446,123 S 8/2001 Sobati
 D446,728 S 8/2001 Bakic
 D460,545 S 7/2002 Hautmann et al.
 D463,262 S 9/2002 Gobe
 D465,410 S 11/2002 Kikuchi
 D470,235 S 2/2003 Kumar
 D470,273 S 2/2003 Revivo
 D472,147 S 3/2003 Herrmann
 D483,671 S 12/2003 Pinnavaia
 D484,055 S 12/2003 Feigenbaum
 D497,441 S 10/2004 Therrien et al.
 D505,074 S 5/2005 Bakic
 D522,369 S 6/2006 Penn
 D525,167 S 7/2006 Katznelson
 D531,041 S 10/2006 Sauer et al.
 D541,159 S 4/2007 Robinson
 D542,665 S 5/2007 Poe, II
 D543,458 S 5/2007 Dittmer et al.
 D544,352 S 6/2007 Dittmer et al.
 D545,678 S 7/2007 Dittmer et al.
 D547,661 S 7/2007 Blasko et al.
 D548,084 S 8/2007 Dittmer et al.
 D567,090 S 4/2008 Swint et al.
 D571,663 S 6/2008 Bakic
 D581,279 S 11/2008 Oates
 D595,136 S 6/2009 Canamasas Puigbo
 D603,266 S 11/2009 Dibnah et al.
 D604,163 S 11/2009 Nelson et al.
 D605,943 S 12/2009 Mueller et al.
 D613,174 S 4/2010 Pecora
 D615,404 S 5/2010 Pitzer et al.
 D615,868 S 5/2010 Rodriguez et al.
 D620,807 S 8/2010 Wang Treadway et al.
 D627,650 S 11/2010 Yeung
 D634,977 S 3/2011 Mouquet
 D637,910 S 5/2011 Yeung
 D638,710 S 5/2011 Yeung
 D640,925 S 7/2011 Rodriguez et al.
 D641,245 S 7/2011 Rodriguez et al.
 D641,257 S 7/2011 Thiebaut et al.
 D649,629 S 11/2011 Ritzenhoff
 D651,900 S 1/2012 Ashiwa et al.
 D652,319 S 1/2012 Cohen et al.
 D653,123 S 1/2012 Ziegler
 D659,537 S 5/2012 Ritzenhoff

D674,698 S 1/2013 Mongeon et al.
 D685,637 S 7/2013 Colon et al.
 D685,639 S 7/2013 Colon et al.
 D687,303 S 8/2013 Colon et al.
 D702,555 S 4/2014 Park
 D703,055 S 4/2014 Park
 D721,967 S 2/2015 DeMarco
 D728,382 S 5/2015 Goswell
 D739,739 S 9/2015 DeMarco et al.
 D739,741 S 9/2015 Staab
 1,163,805 A1 12/2015 Bonn et al.
 D755,051 S 5/2016 Otani et al.
 D778,733 S 2/2017 Eberlein et al.
 D795,074 S 8/2017 Staab
 D795,075 S 8/2017 Staab et al.
 D825,341 S * 8/2018 Staab D9/529
 D842,115 S * 3/2019 Staab D9/529
 D843,835 S * 3/2019 Staab D9/504
 D844,441 S * 4/2019 DeMarco D9/504

FOREIGN PATENT DOCUMENTS

CN	99318602.5	6/2000
CN	1300811.0	10/2001
CN	3300318.1	9/2003
CN	03309569.8	10/2003
CN	2005/30004027.X	11/2005
CN	2006/30129937.5	5/2007
CN	2006/30153078.3	5/2007
CN	2006/30153067.5	9/2007
CN	2007/30115836.7	4/2008
CN	2008/30177004.2	9/2009
CN	2008/30177012.7	9/2009
CN	2009/30070342.0	1/2010
CN	2009/30007682.9	3/2010
CN	2009/30006647.5	6/2010
CN	2010/30111073.0	9/2010
CN	2010/30111212.X	10/2010
CN	2010/30588086.7	4/2011
CN	2011/30336500.X	2/2012
CN	2011/30338718.9	4/2012
CN	2011/30356224.3	5/2012
CN	2012/30122099.4	8/2012
JP	D1443759	6/2012
TW	D123656	7/2008
TW	D139202	3/2011
TW	D142590	9/2011
TW	D147683	6/2012

OTHER PUBLICATIONS

Search Report issued in Taiwan Patent Application No. 102308280, dated Aug. 1, 2014. (English translation included).
 Search Report issued in Taiwan Patent Application No. 103306305, dated Dec. 29, 2014 (English translation included).
 Search Report issued in Taiwan patent Application No. 103305392, dated Feb. 24, 2015 (English translation included).

* cited by examiner

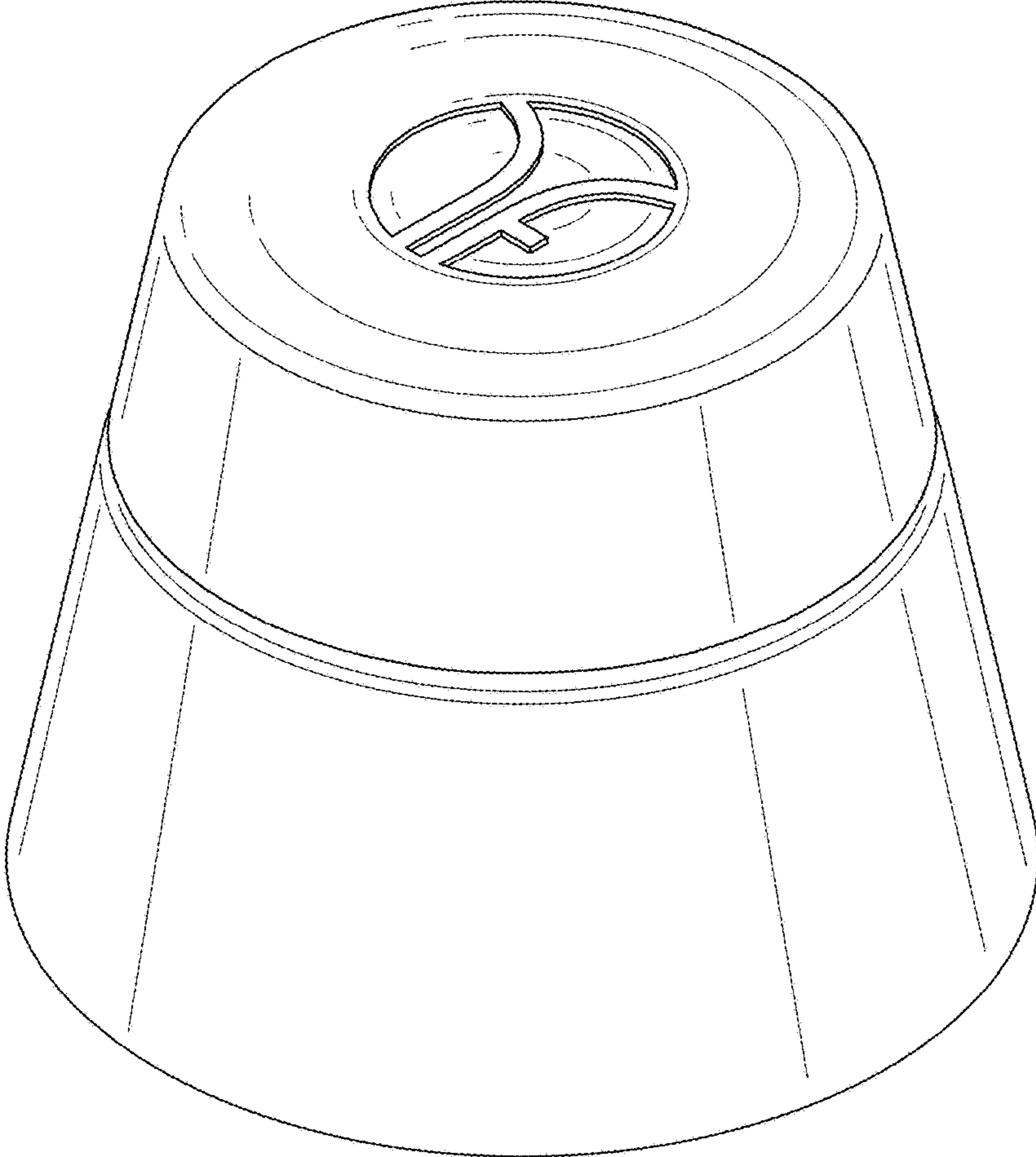


FIG. 1

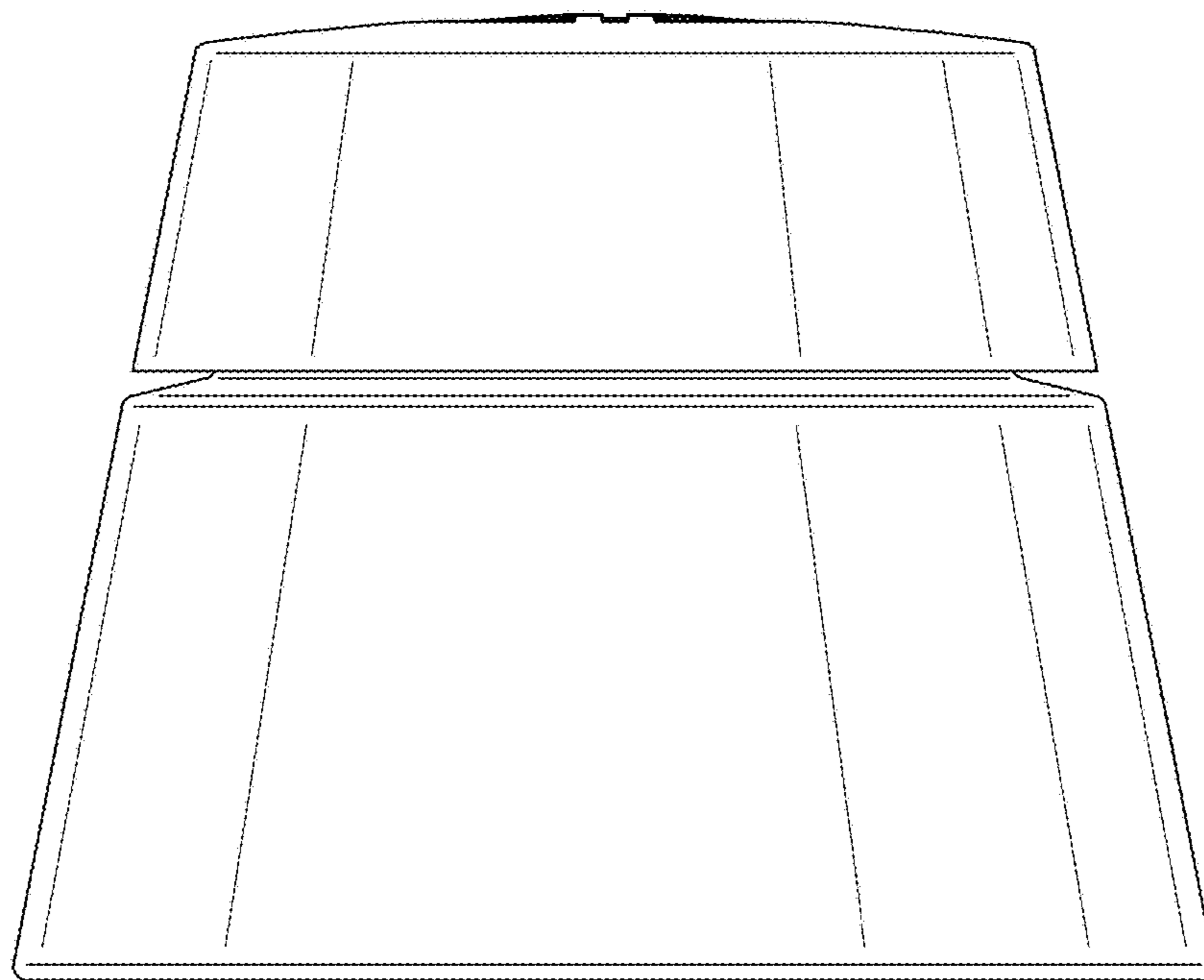


FIG. 2

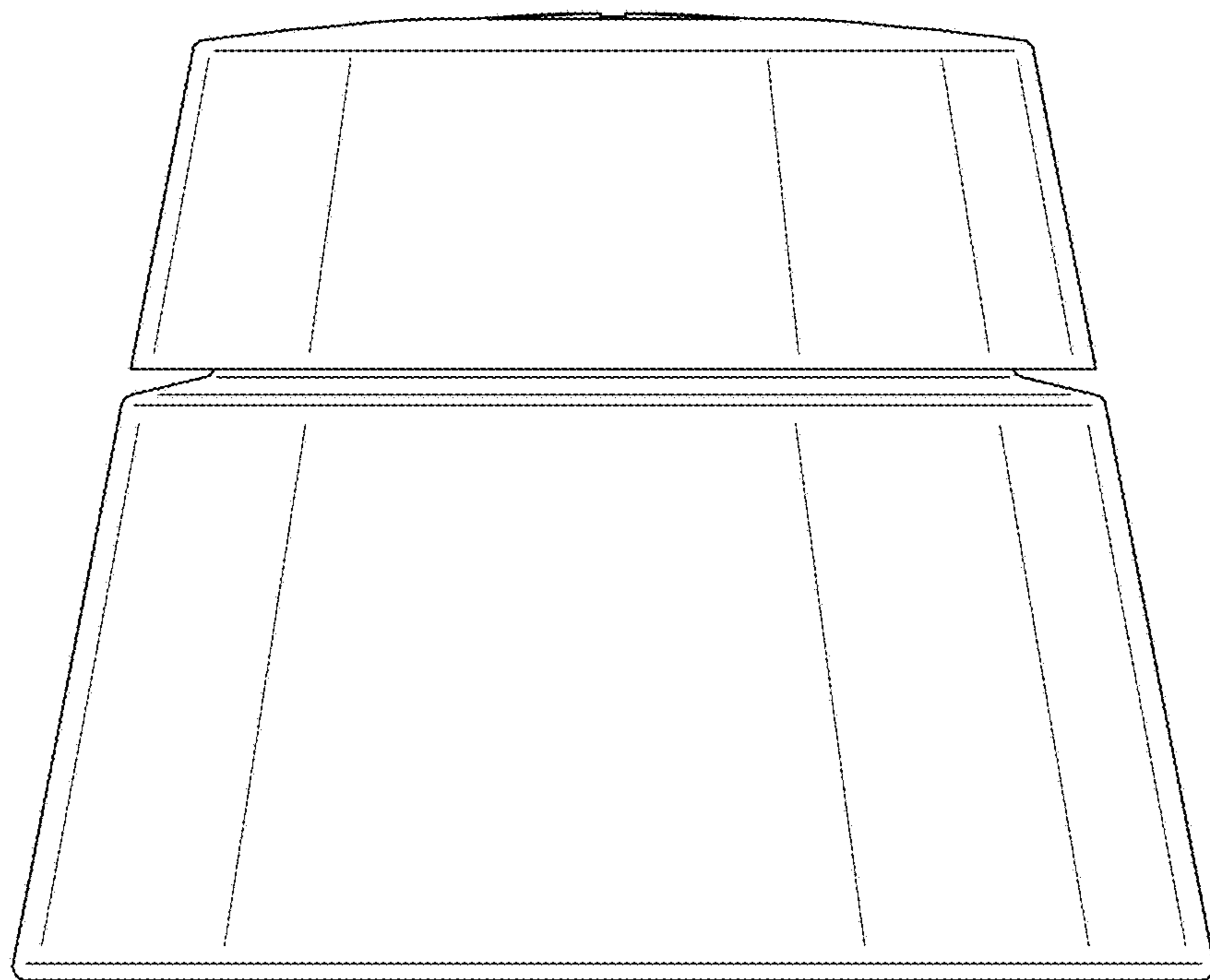


FIG. 3

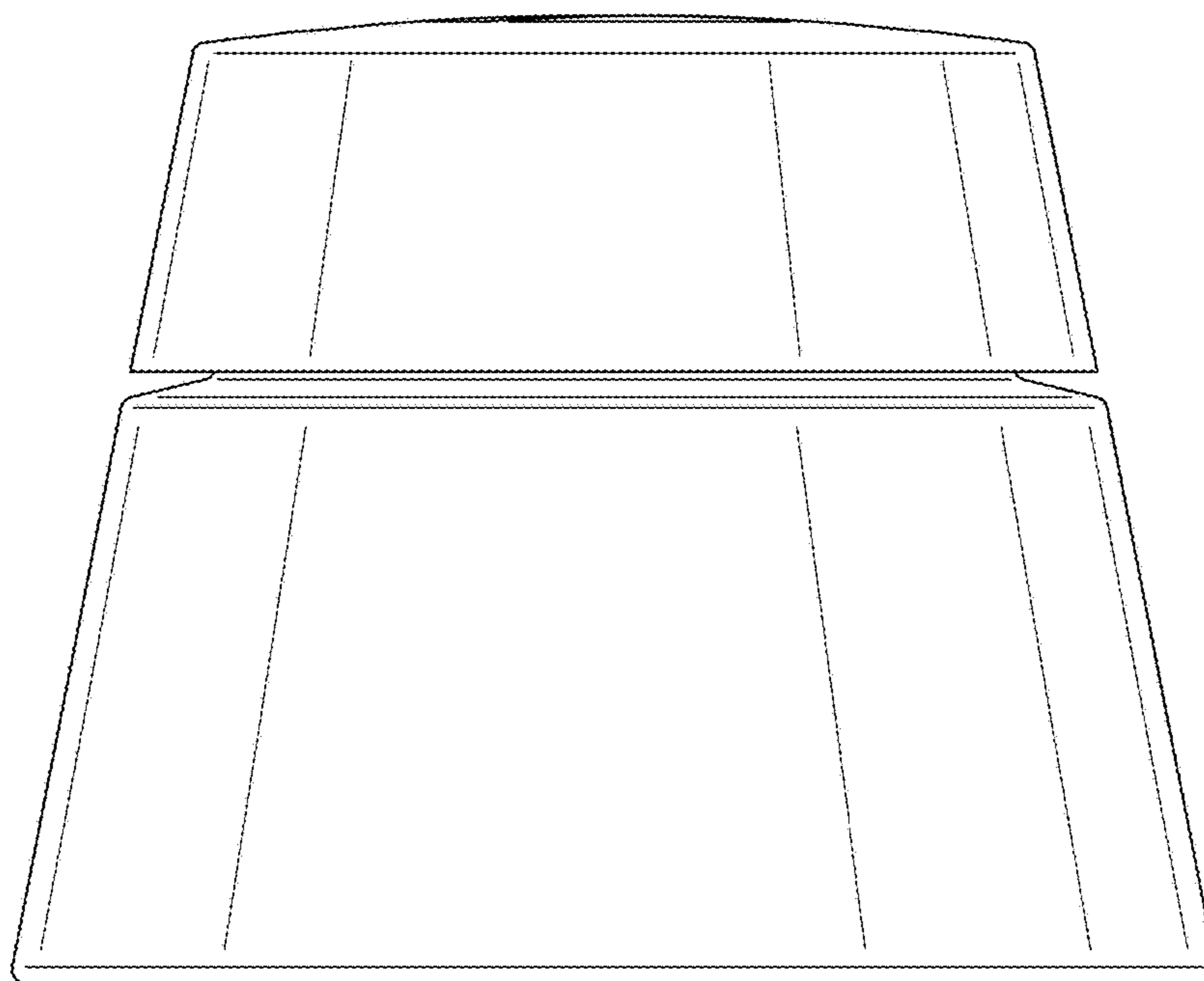


FIG. 4

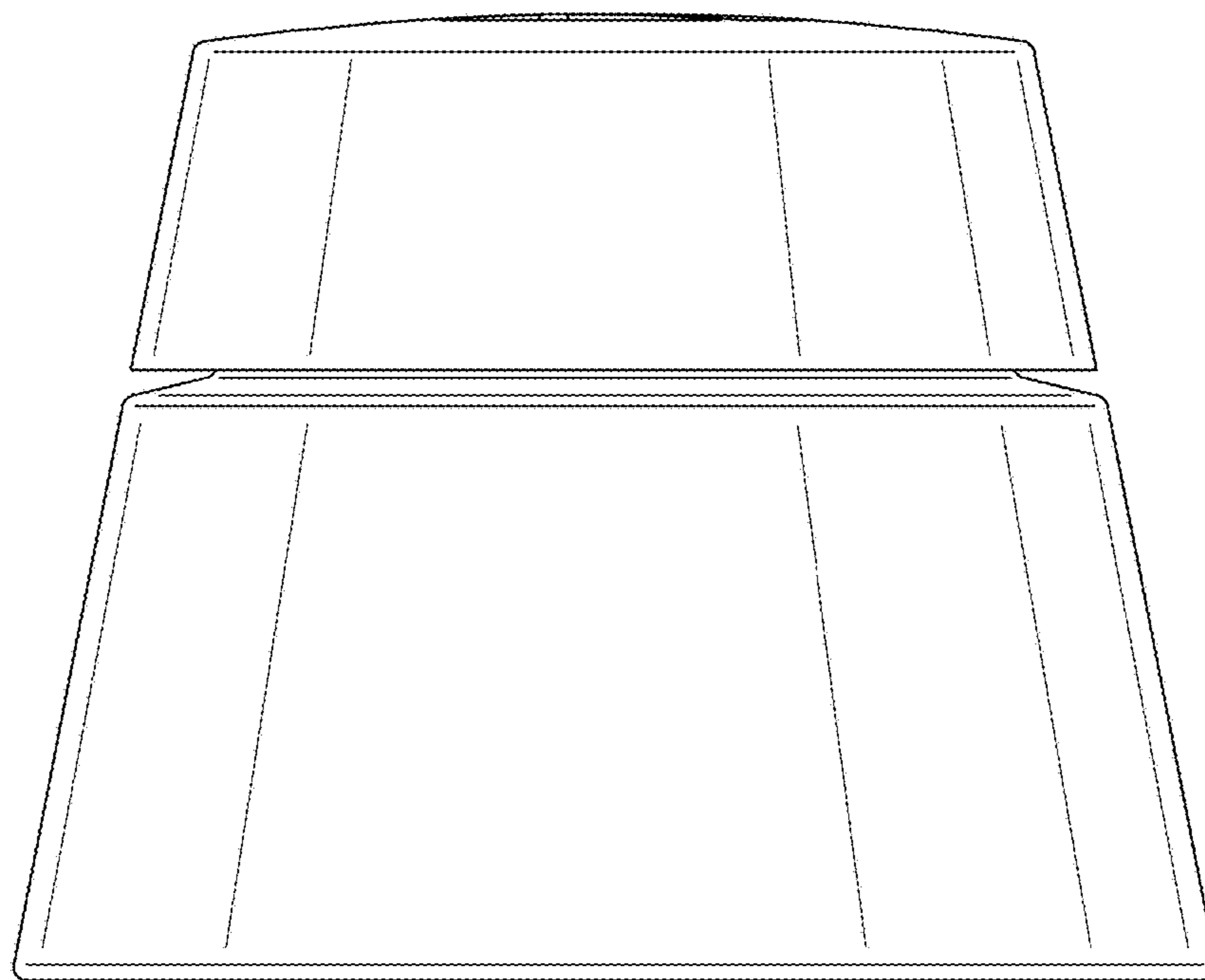


FIG. 5

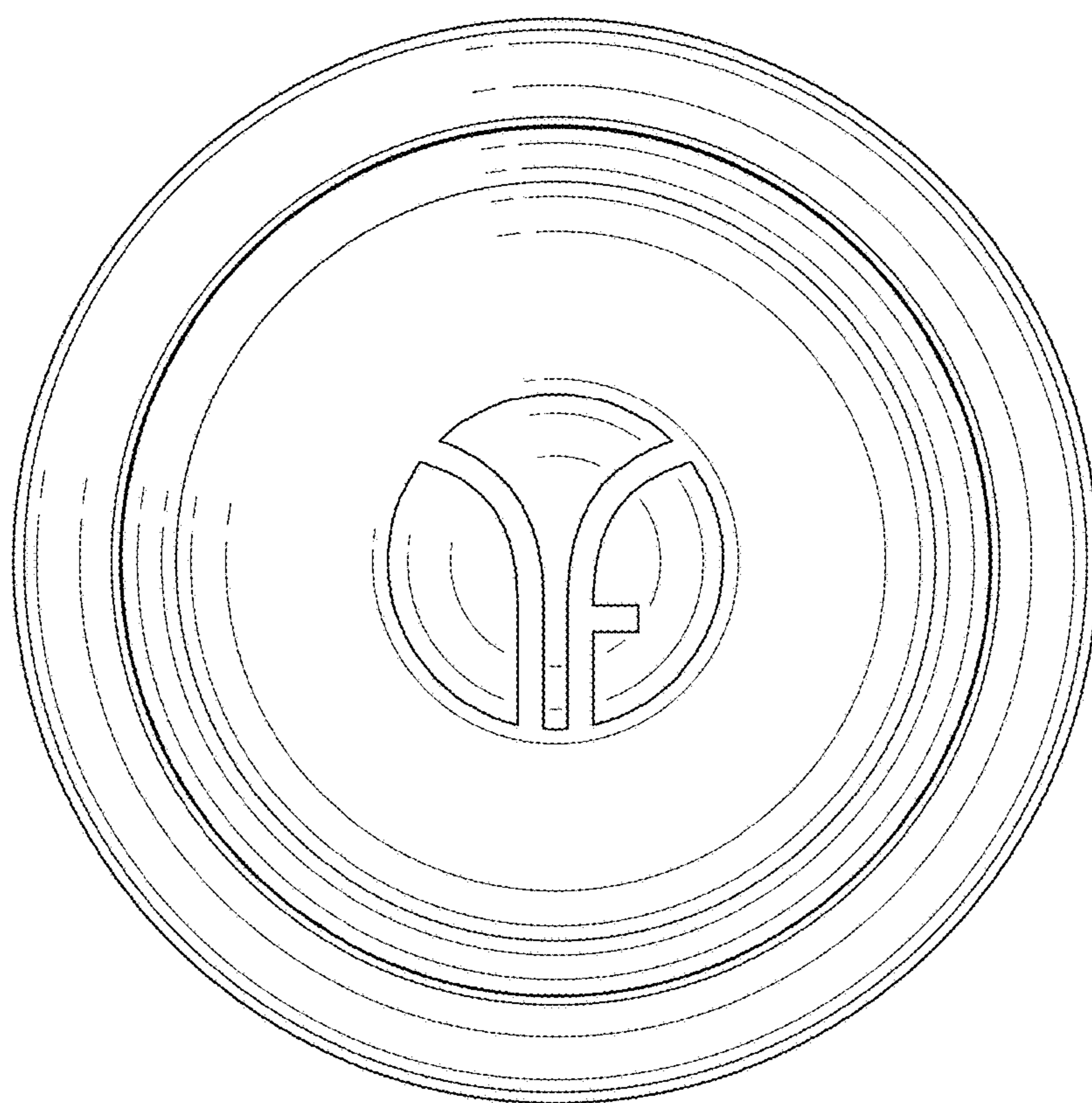


FIG. 6