



US00D86521S

(12) **United States Design Patent** (10) **Patent No.:** **US D865,521 S**
Ishizawa et al. (45) **Date of Patent:** **** Nov. 5, 2019**

(54) **PACKAGING CONTAINER**

(71) Applicant: **SEIKO EPSON CORPORATION**,
Tokyo (JP)
(72) Inventors: **Taku Ishizawa**, Matsumoto (JP);
Noriyuki Fukasawa, Shiojiri (JP);
Manabu Akahane, Nagano (JP); **Izumi**
Washizawa, Shiojiri (JP); **Yasuhiko**
Fuchigami, Shiojiri (JP)
(73) Assignee: **SEIKO EPSON CORPORATION**,
Tokyo (JP)

(**) Term: **15 Years**

(21) Appl. No.: **29/685,149**

(22) Filed: **Mar. 26, 2019**

Related U.S. Application Data

(63) Continuation of application No. 29/638,183, filed on
Feb. 26, 2018.

(51) **LOC (12) Cl.** **09-07**

(52) **U.S. Cl.**
USPC **D9/453**

(58) **Field of Classification Search**
USPC D9/414, 416, 425, 434, 435, 436, 438,
D9/439, 440, 442, 443, 446-450,
D9/452-457, 499, 503-505, 682, 685,
D9/686; D7/387, 391, 392, 392.1, 393,
D7/394, 396.1-396.4, 401.1, 503-505,
D7/509-511, 538, 900; D3/201, 202,
D3/203.2, 318; D28/91, 91.1; D18/56
CPC .. A61J 1/00; A61J 1/1412; B65D 1/00; B65D
1/02; B65D 1/10; B65D 1/46; B65D
2585/56; B65D 2585/545; B65D 41/00;
B65D 41/38; B65D 41/56; B65D 41/62;
B65D 47/00; B65D 47/06; B65D 47/08;
B65D 2543/00046; B65D 2543/00092;
B65D 2543/00296; B65D 5/46; B65D
2251/00

See application file for complete search history.

(56) **References Cited**

U.S. PATENT DOCUMENTS

D93,704 S * 10/1934 Conner D9/454
D98,626 S * 2/1936 Smith D9/453
D138,735 S * 9/1944 Apfelbaum D8/DIG. 2
(Continued)

FOREIGN PATENT DOCUMENTS

CN 304200073 * 7/2017
JP 1435134 S 3/2012
(Continued)

OTHER PUBLICATIONS

Notice of Allowance dated Mar. 20, 2018 issued in Design U.S.
Appl. No. 29/577,704.

(Continued)

Primary Examiner — Michael A. Pratt
Assistant Examiner — Wendy Arminio

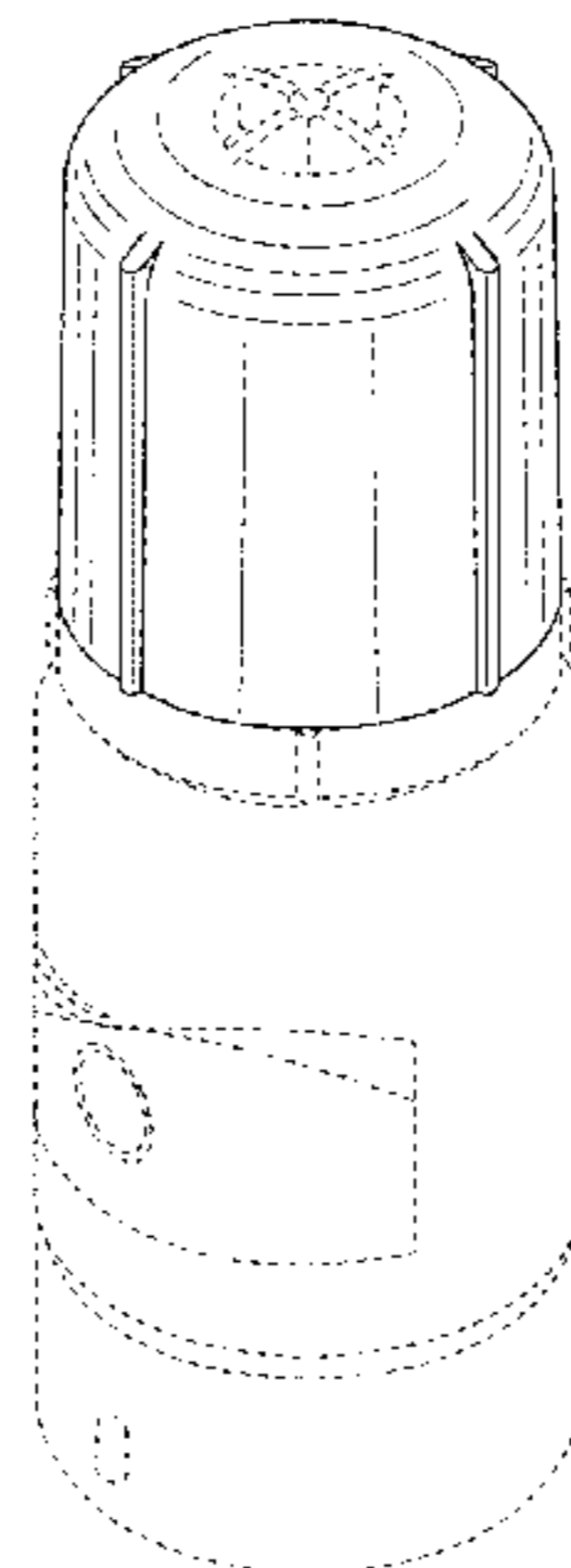
(57) **CLAIM**

The ornamental design for a packaging container, as shown
and described.

DESCRIPTION

FIG. 1 is a front, top and right side perspective view of a
packaging container showing our new design;
FIG. 2 is a front view thereof;
FIG. 3 is a rear view thereof;
FIG. 4 is a top plan view thereof;
FIG. 5 is a bottom plan view thereof;
FIG. 6 is a right side view thereof; and,
FIG. 7 is a left side view thereof.
The broken lines illustrate portions of the packaging con-
tainer that form no part of the claimed design.

1 Claim, 7 Drawing Sheets



(56)

References Cited

U.S. PATENT DOCUMENTS

D257,831 S * 1/1981 Welch D9/445
 D366,616 S * 1/1996 Knickerbocker D9/445
 D436,862 S 1/2001 Witt et al.
 D461,127 S * 8/2002 Peabody D12/607
 6,874,656 B2 * 4/2005 Rohr B65D 51/165
 222/1
 D507,745 S 7/2005 Pitman et al.
 D518,717 S 4/2006 German
 D522,358 S * 6/2006 Peterson D9/443
 D524,158 S * 7/2006 Caserta D9/447
 D587,111 S 2/2009 Seol et al.
 D589,359 S 3/2009 Kusumi
 D590,250 S 4/2009 Seol
 D590,251 S 4/2009 Seol et al.
 D590,253 S 4/2009 Seol et al.
 D599,201 S 9/2009 Seol et al.
 D600,548 S 9/2009 Seol et al.
 D603,701 S 11/2009 Seol et al.
 D608,636 S 1/2010 Seol
 D622,611 S 8/2010 Powers et al.
 D623,049 S * 9/2010 Zeyfang D8/397
 D632,178 S * 2/2011 Liu D9/453
 D642,924 S * 8/2011 Newton D9/443
 D643,288 S 8/2011 Taylor
 D650,273 S 12/2011 Tekulve et al.
 D651,916 S 1/2012 Mochizuki et al.
 D653,950 S 2/2012 Ishizawa et al.
 D655,155 S 3/2012 Tekulve et al.
 D655,191 S 3/2012 Mochizuki et al.
 D655,192 S 3/2012 Mochizuki et al.
 D660,706 S 5/2012 Mochizuki et al.
 D666,908 S 9/2012 Dabah et al.
 D675,096 S * 1/2013 Obrist D9/453
 D681,463 S 5/2013 Taylor
 D692,771 S 11/2013 Sakai et al.
 D693,685 S 11/2013 Ramsey et al.

D725,470 S * 3/2015 Wilcox D9/448
 D767,398 S 9/2016 Miyazaki et al.
 D769,121 S 10/2016 Mochizuki et al.
 D775,964 S 1/2017 Mochizuki et al.
 D796,314 S 9/2017 Riffe
 D796,326 S 9/2017 Ichikawa et al.
 D799,545 S 10/2017 Guzmán et al.
 D800,573 S 10/2017 Mochizuki et al.
 D801,185 S 10/2017 Takanishi et al.
 D816,158 S * 4/2018 Yoshii D18/56
 2017/0355191 A1 * 12/2017 Mizutani B41J 2/17523
 2017/0355194 A1 * 12/2017 Fukasawa B41J 2/17509
 2017/0355195 A1 * 12/2017 Fukasawa B41J 2/17506
 2018/0207939 A1 * 7/2018 Ishizawa B65D 1/06
 2018/0250943 A1 * 9/2018 Fukasawa B41J 2/1752
 2019/0030903 A1 * 1/2019 Fukasawa B41J 2/17523
 2019/0039381 A1 * 2/2019 Ishizawa B41J 2/17509

FOREIGN PATENT DOCUMENTS

JP 1563939 S 11/2016
 JP 1588591 S 10/2017
 JP 1594491 S 1/2018
 JP 1573851 S 3/2018
 JP 1603216 S 5/2018
 JP 1616226 S 10/2018
 KR 30-0920874 S 8/2017
 TH 167155 8/2017

OTHER PUBLICATIONS

Design U.S. Appl. No. 29/577,704 to Taku Ishizawa et al., filed Sep. 15, 2016.
 Epson America, Inc. <<http://www.epson.com/cgi-bin/Store/jsp/ProductCategory.do?UseCookie=yes&oid=-19881>>, available at least as early as Aug. 4, 2015.

* cited by examiner

FIG. 1

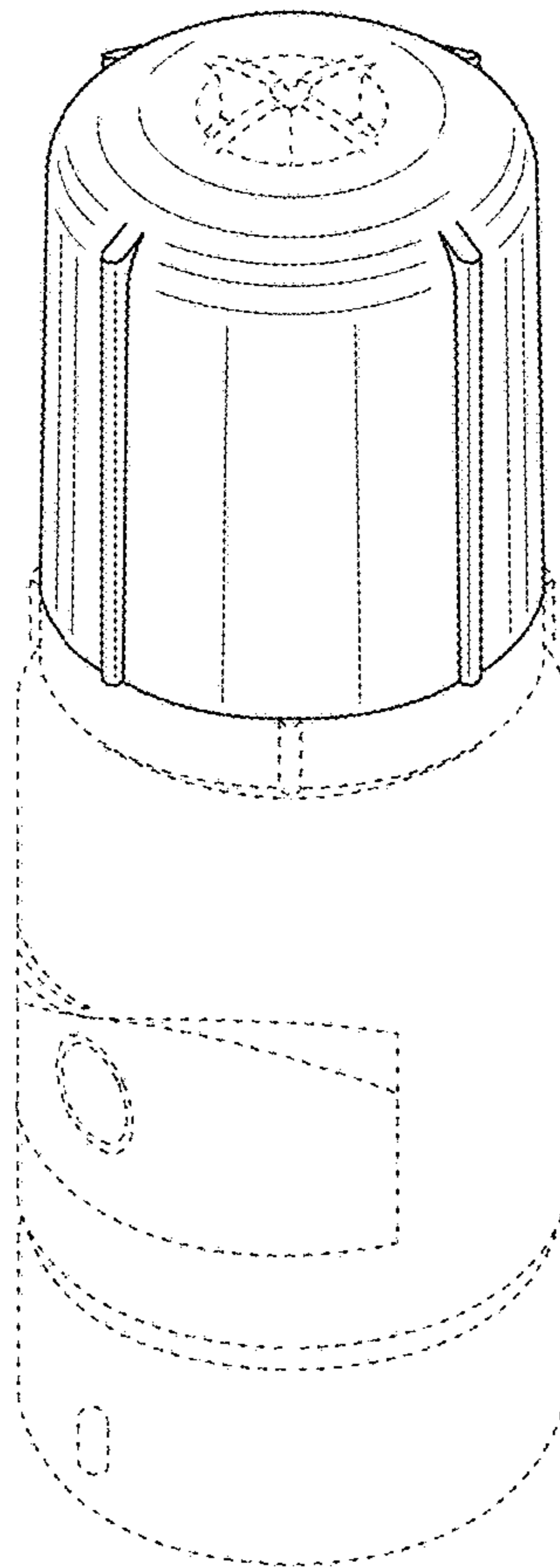


FIG. 2

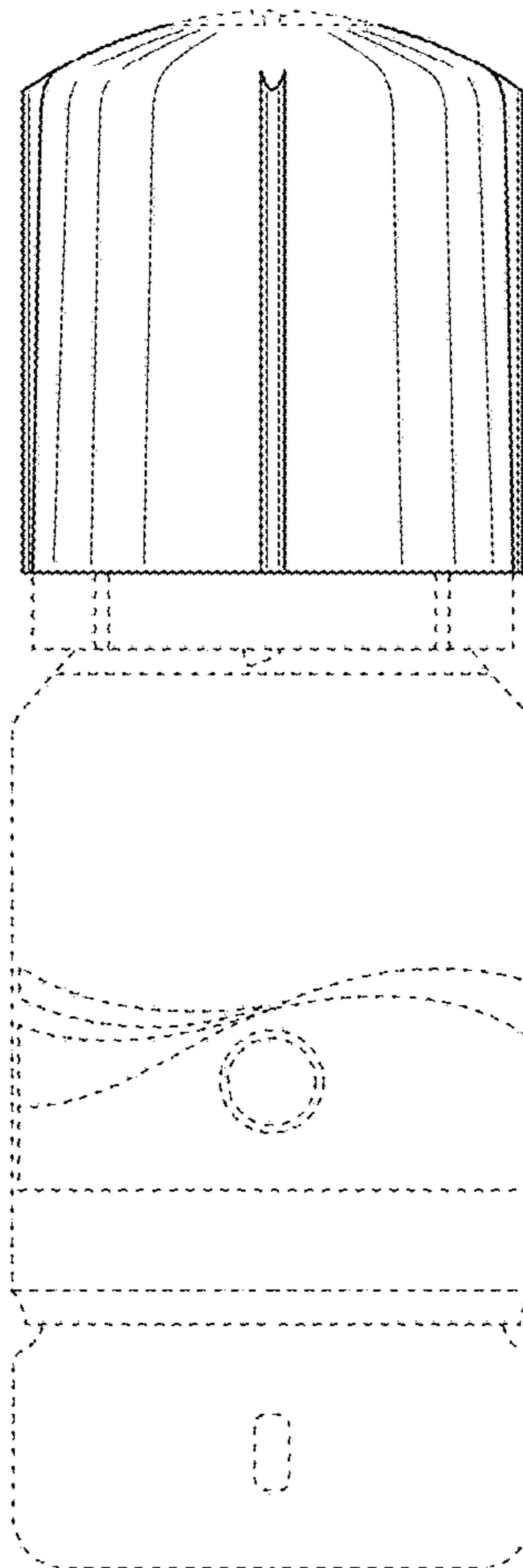


FIG. 3

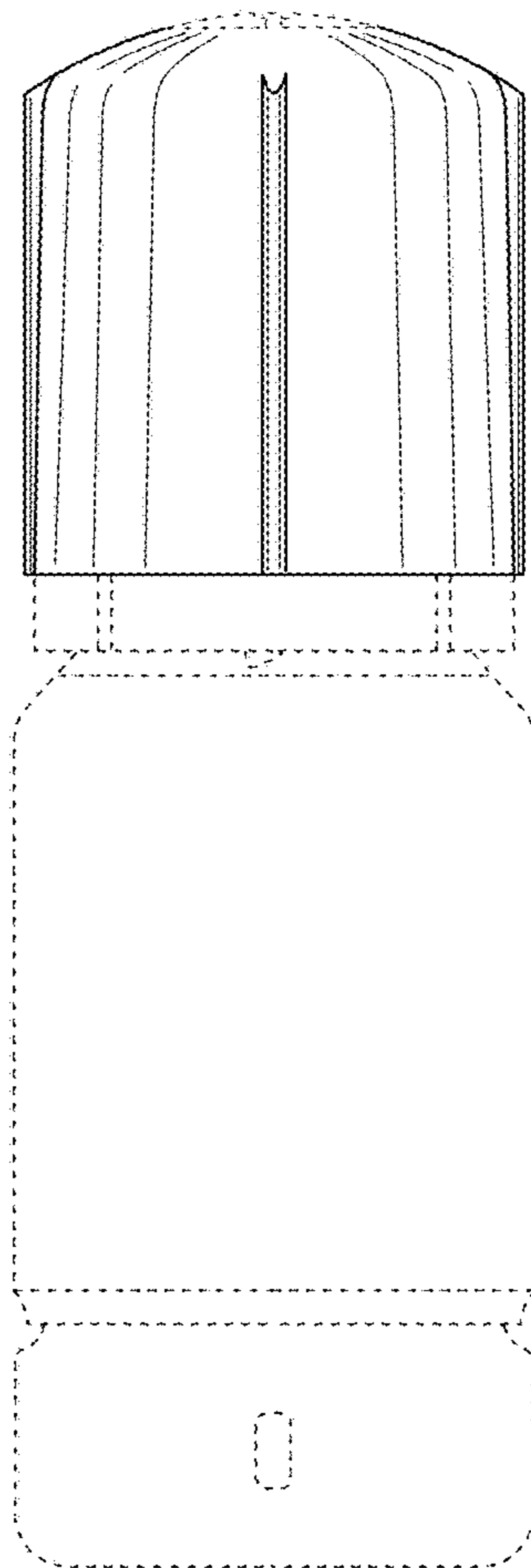


FIG. 4

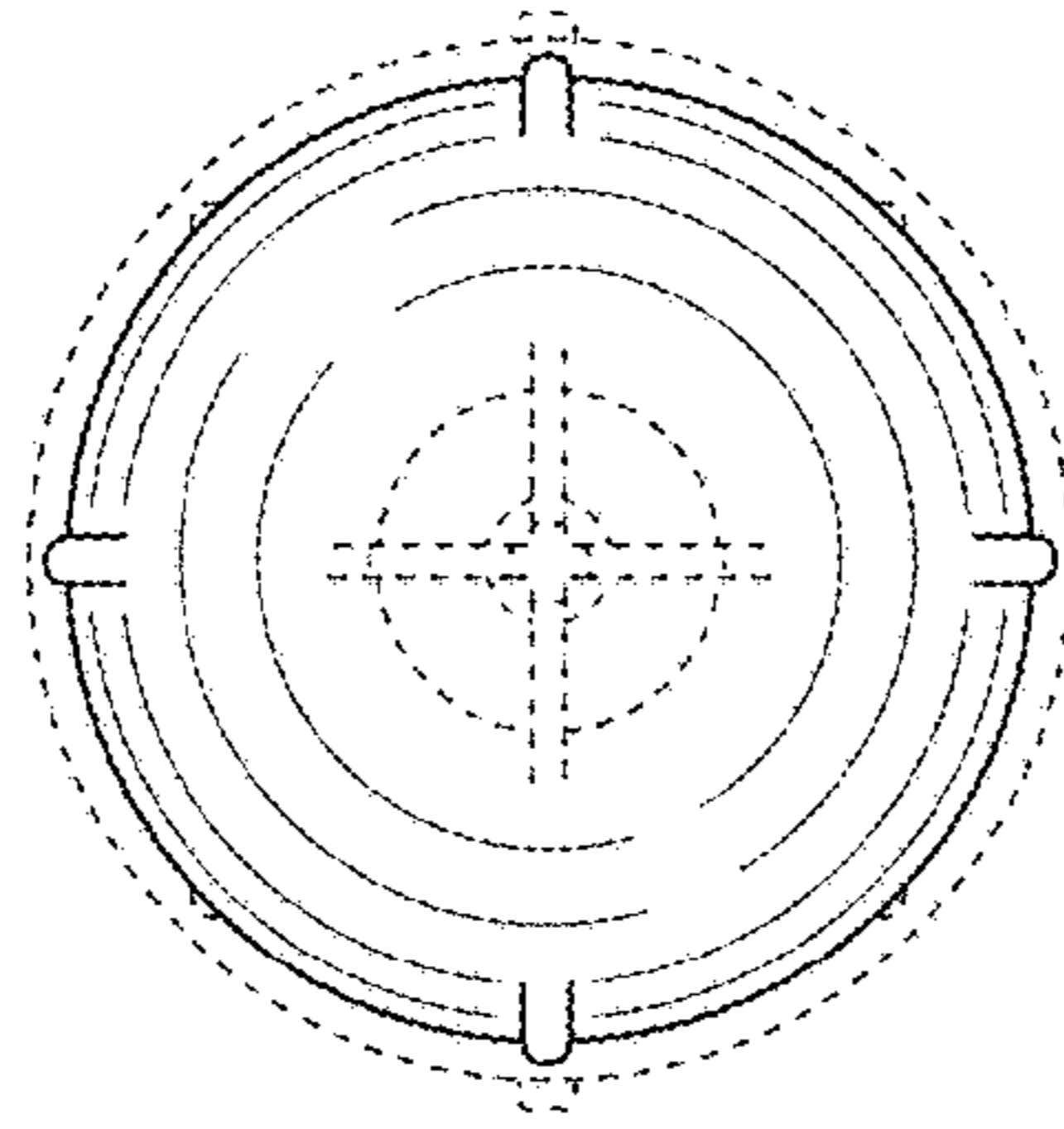


FIG. 5

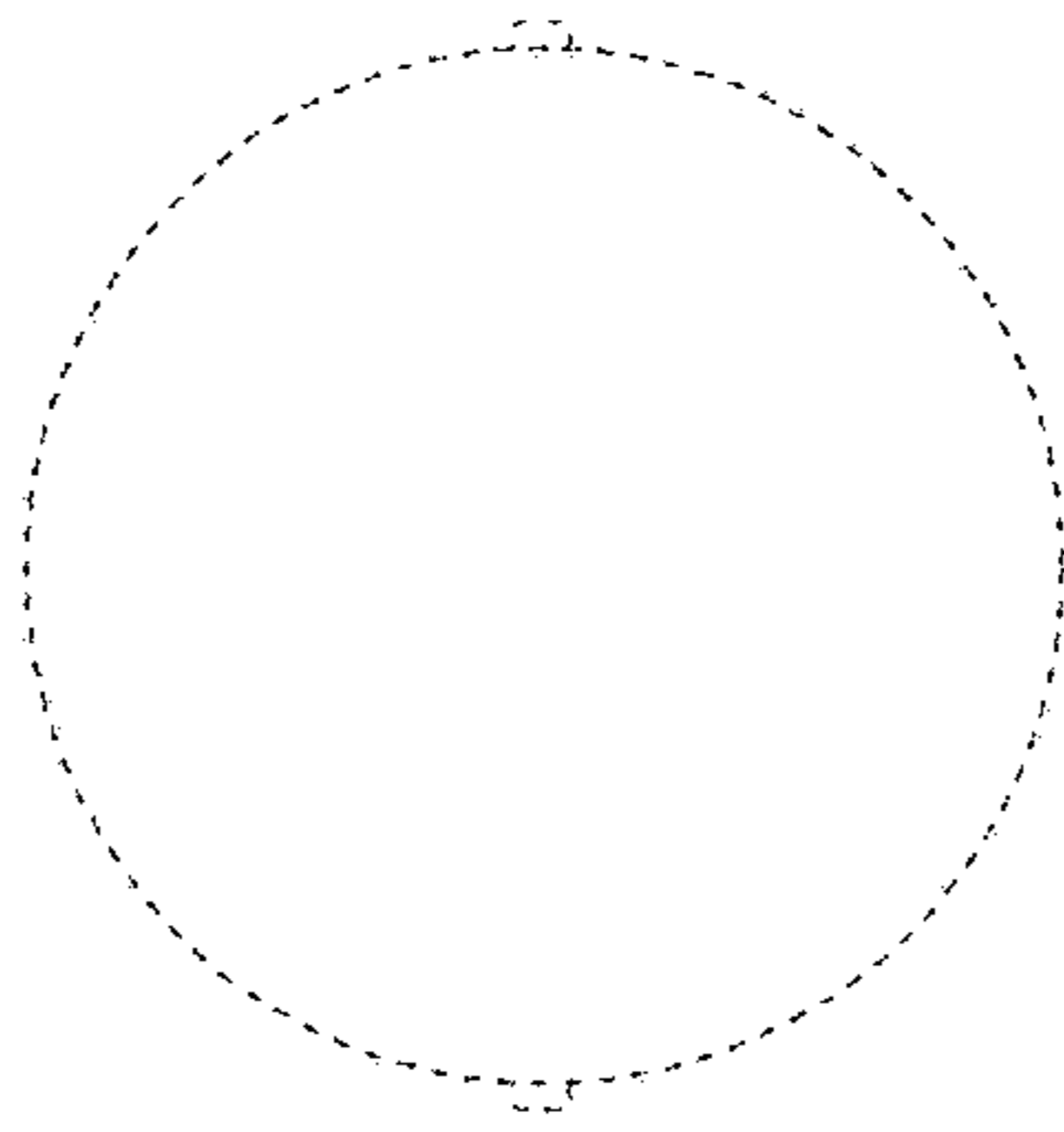


FIG. 6

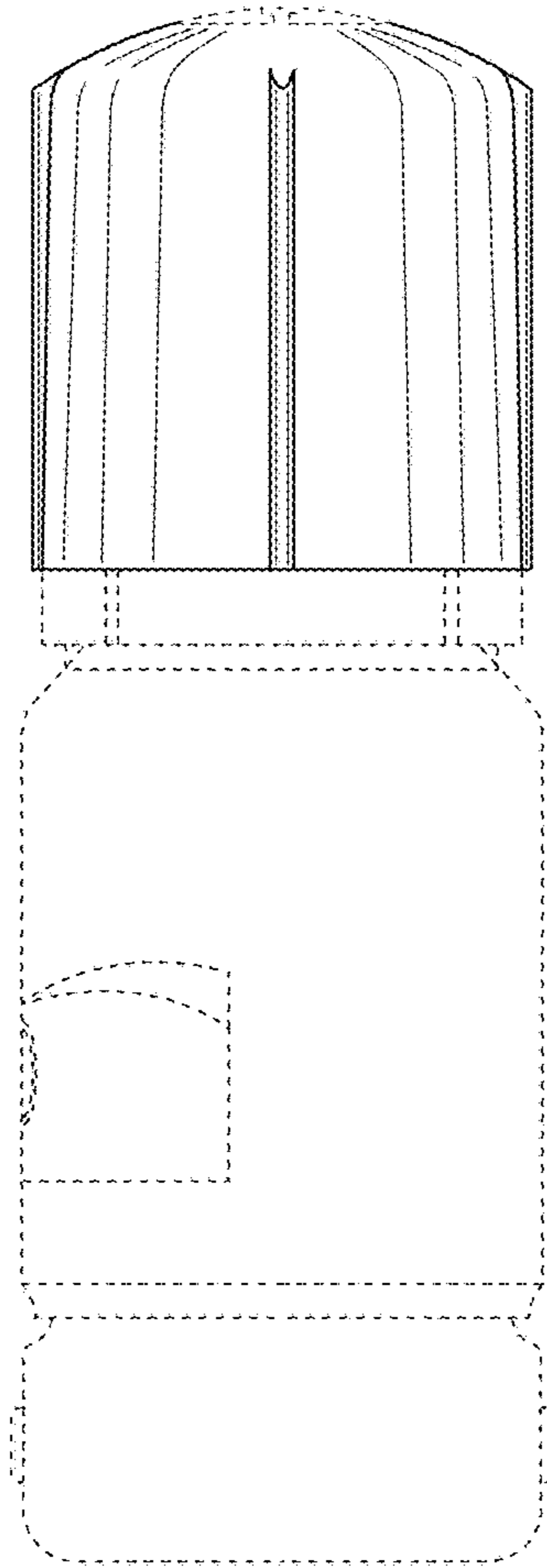


FIG. 7

