



US00D865520S

(12) **United States Design Patent**
Löfholm et al.

(10) **Patent No.:** **US D865,520 S**

(45) **Date of Patent:** **** Nov. 5, 2019**

(54) **LID FOR DRINKING VESSELS**
(71) Applicant: **UNICUP SCANDINAVIA AB**,
Huddinge (SE)
(72) Inventors: **Håkan Johan Löfholm**, Huddinge
(SE); **Lars Bendix**, Randers (DK)
(73) Assignee: **UNICUP SCANDINAVIA AB**,
Huddinge (SE)

(**) Term: **15 Years**
(21) Appl. No.: **35/505,538**

(22) Filed: **Feb. 21, 2018**

(80) **Hague Agreement Data**
Int. Filing Date: **Feb. 21, 2018**
Int. Reg. No.: **DM/100494**
Int. Reg. Date: **Feb. 21, 2018**
Int. Reg. Pub. Date: **Aug. 24, 2018**

(51) **LOC (12) Cl.** **09-07**
(52) **U.S. Cl.**
USPC **D9/447**

(58) **Field of Classification Search**
USPC D9/435, 440, 447, 453, 454
CPC B65D 2543/00296; B65D 43/02; B65D
51/18; B65D 81/3813; B65D 9/18
See application file for complete search history.

(56) **References Cited**
U.S. PATENT DOCUMENTS

D350,697 S * 9/1994 Sidman D9/440
D614,954 S * 5/2010 Crowell D9/447
D634,192 S * 3/2011 Mueller D9/436

D763,074 S * 8/2016 Neitzel A47K 10/3818
D9/440
D764,917 S * 8/2016 Velez D9/447
D771,489 S * 11/2016 Azelton D9/435
D773,883 S * 12/2016 Elias D7/392.1
D794,456 S * 8/2017 Rockwell D9/434
D827,363 S * 9/2018 Matsui D7/392.1
2004/0195239 A1 * 10/2004 Rush B65D 43/0256
220/254.3

* cited by examiner

Primary Examiner — Michael A. Pratt

(74) *Attorney, Agent, or Firm* — Christopher & Weisberg,
P.A.

(57) **CLAIM**

The ornamental design for a lid for drinking vessel, as
shown and described.

DESCRIPTION

1. Lid for drinking vessels

1.1 : Perspective

1.2 : Perspective

1.3 : Front

1.4 : Back

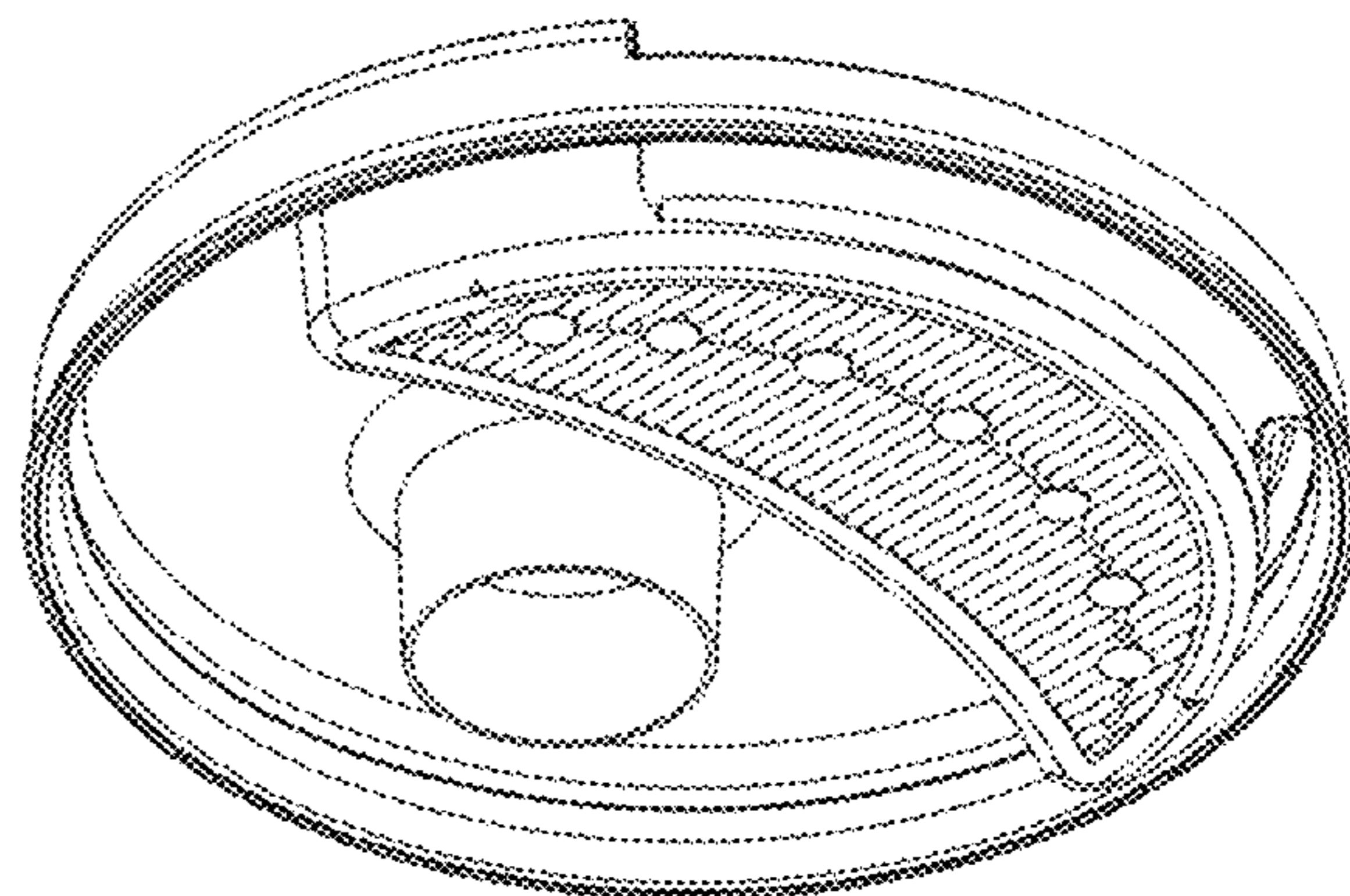
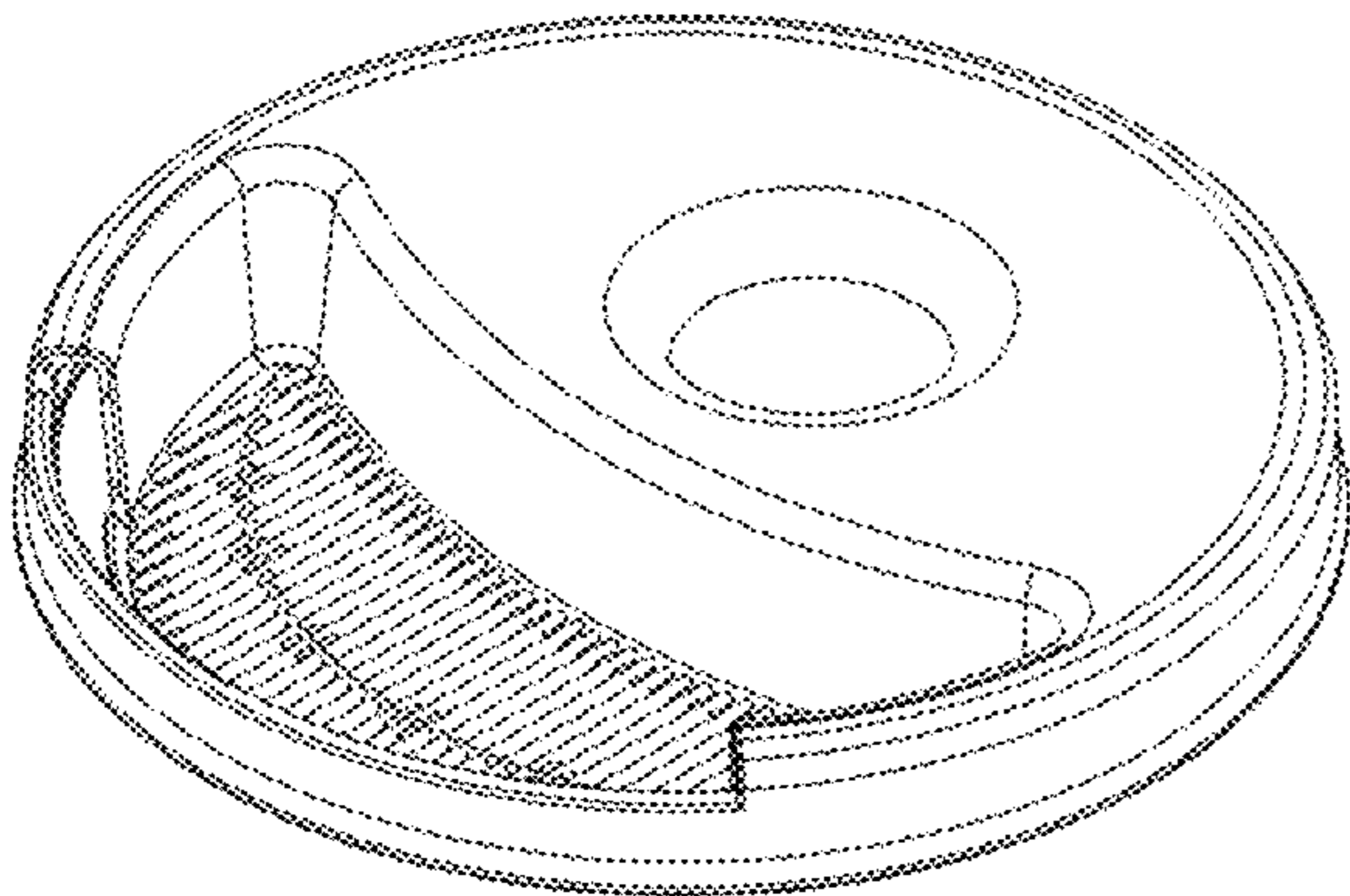
1.5 : Top

1.6 : Bottom

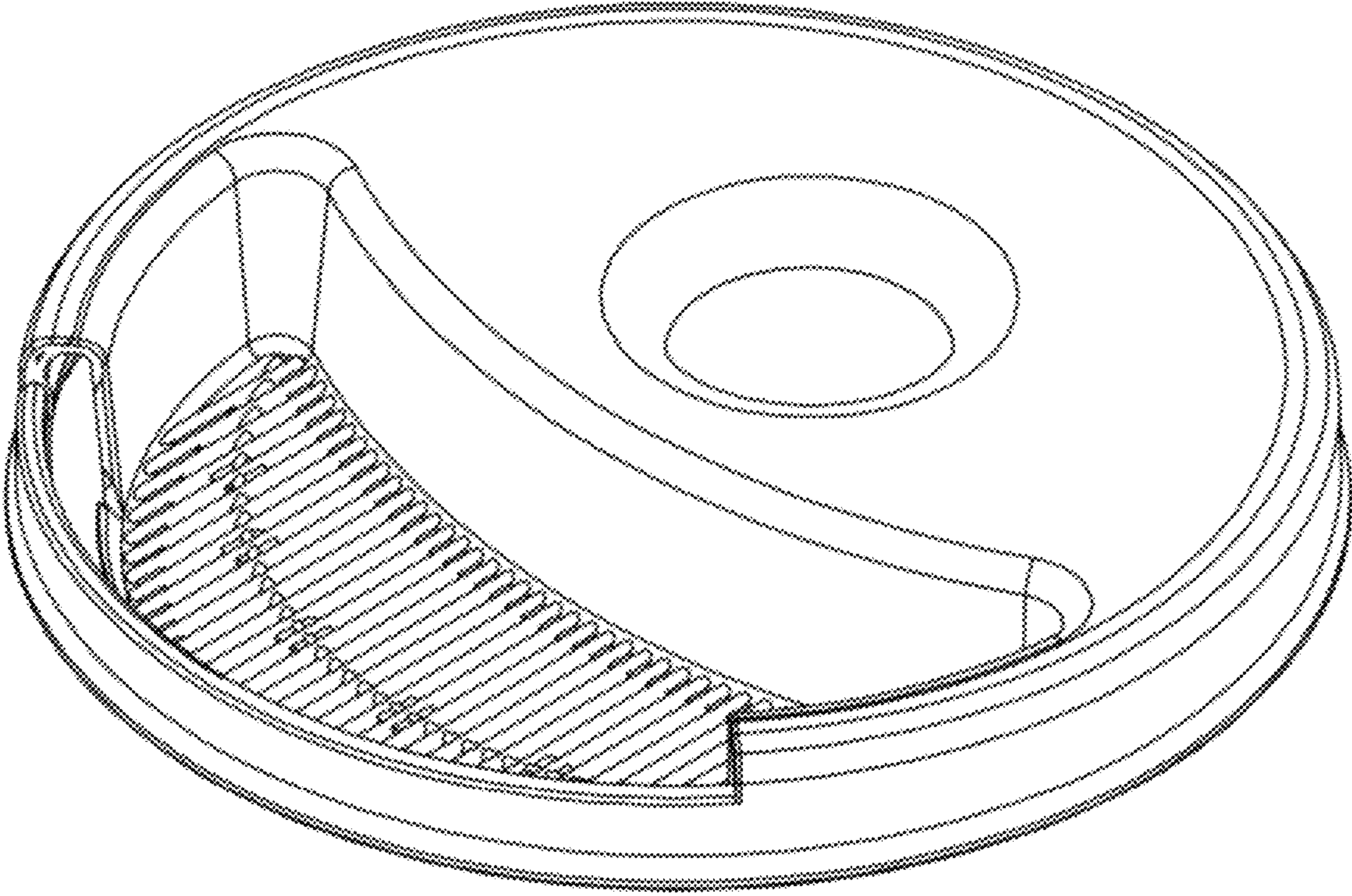
1.7 : Left

Fig. 1.1 is a top perspective view of the lid in a first
embodiment; fig. 1.2 is a bottom perspective view of the lid
in a first embodiment; fig. 1.3 is a front side view of the lid
in a first embodiment; fig. 1.4 is a back side view of the lid
in a first embodiment; fig. 1.5 is a top side view of the lid in
a first embodiment; fig. 1.6 is a bottom side view of the lid
in a first embodiment; fig. 1.7 is a left side view of the lid
in a first embodiment.

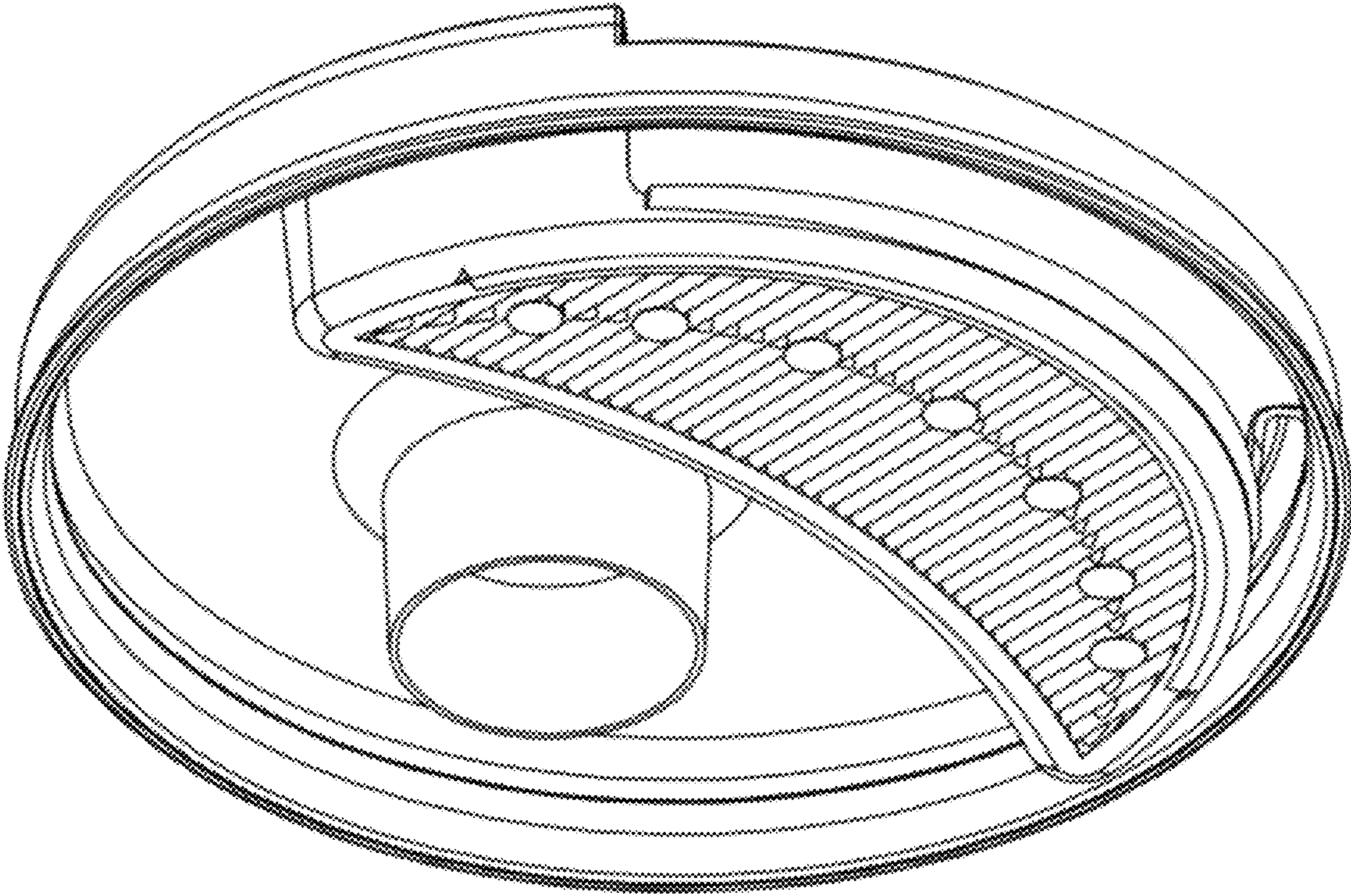
1 Claim, 7 Drawing Sheets



1.1



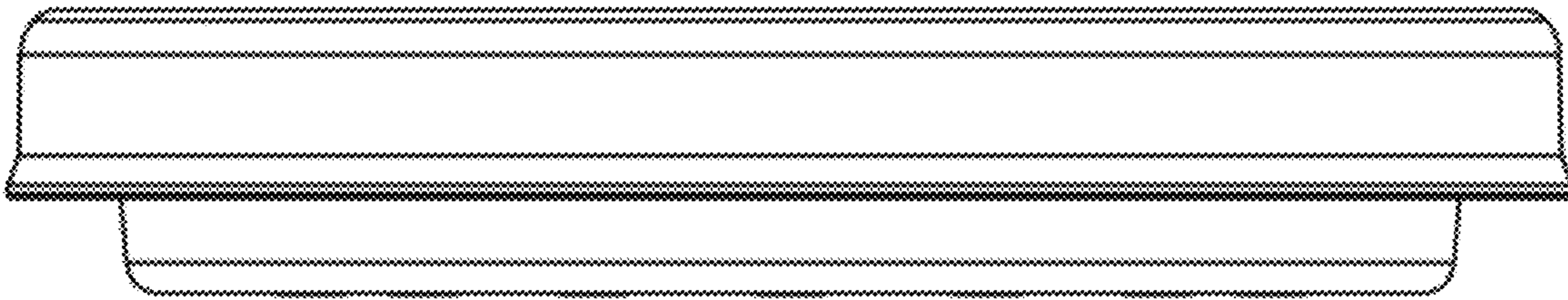
1.2



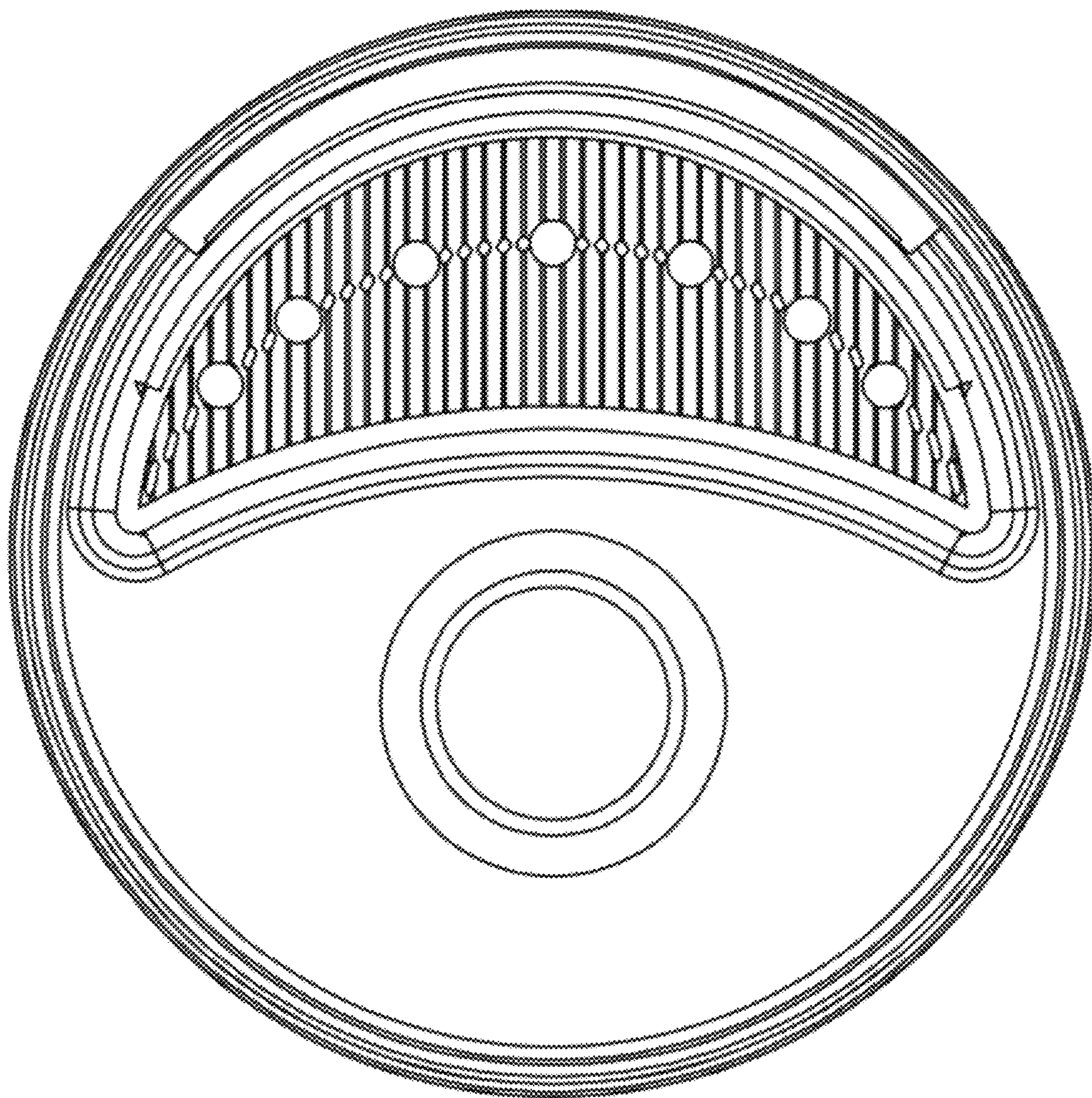
1.3



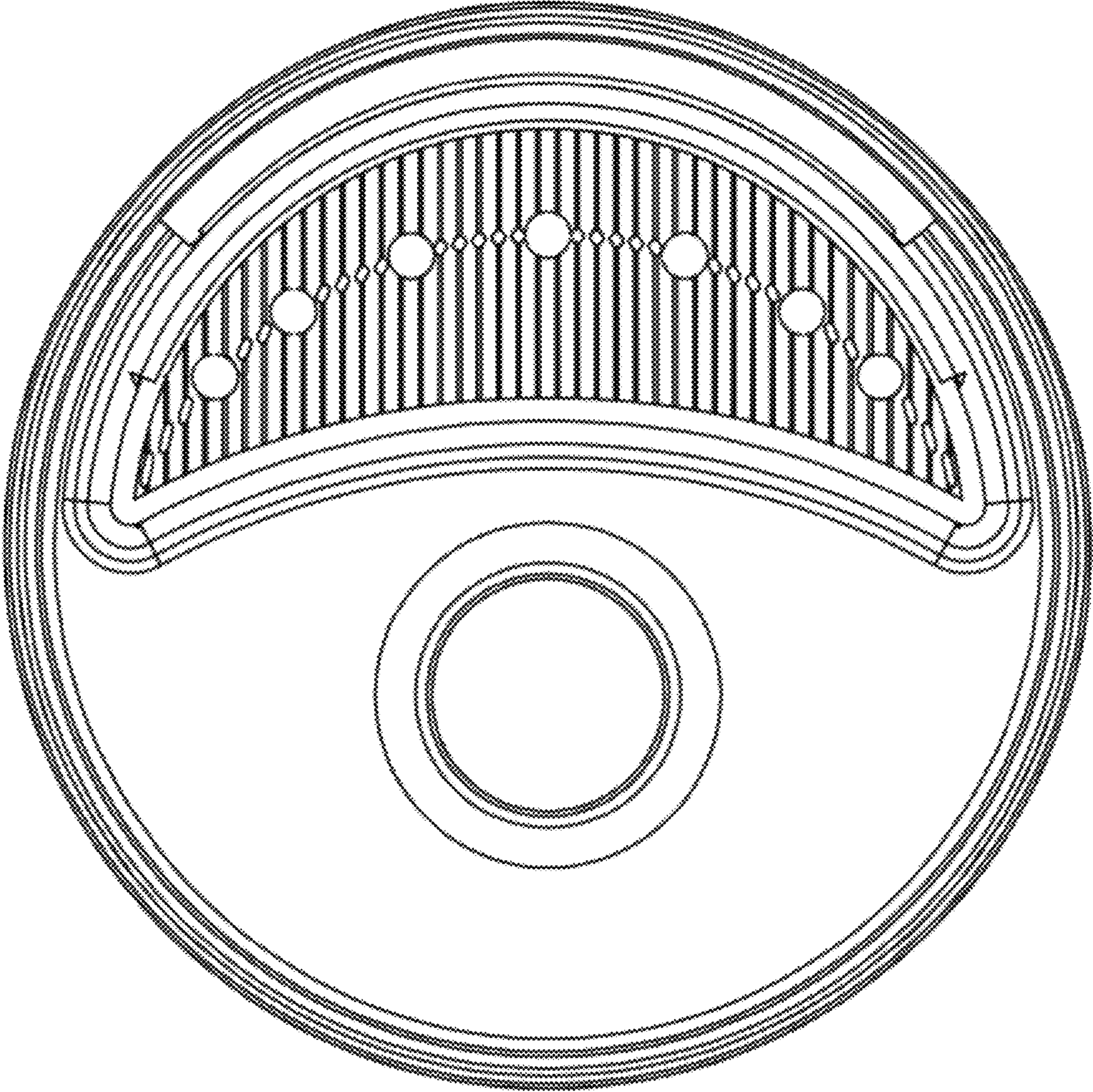
1.4



1.5



1.6



1.7

