



US00D865519S

(12) **United States Design Patent** (10) **Patent No.:** **US D865,519 S**
Scheffler (45) **Date of Patent:** **** Nov. 5, 2019**

(54) **CAP WITH OPENING-CLOSURE SYSTEM** 123,898 A * 2/1872 Highley B65D 47/0814
215/237
(71) Applicant: **SPI Group S.à.r.l.**, Luxembourg (LU) 169,456 A * 11/1875 Luthy B65D 47/0814
215/237
(72) Inventor: **Yuri Scheffler**, Crans-Montana (CH) 200,991 A 3/1878 Dietz
206,341 A 7/1878 Martin
(73) Assignee: **SPI Group S.a.r.l.**, Luxembourg (LU) 301,599 A 7/1884 Hunt
314,025 A 3/1885 Hoyt
D17,215 S 3/1887 Park
(**) Term: **15 Years** D19,052 S * 4/1889 Van Houten D9/505
(Continued)

(21) Appl. No.: **29/609,629**

(22) Filed: **Jul. 3, 2017**

(30) **Foreign Application Priority Data**

May 25, 2017 (MX) MX/f/2017/001475

(51) **LOC (12) Cl.** **09-07**

(52) **U.S. Cl.**
USPC **D9/439**

(58) **Field of Classification Search**
USPC D7/392, 392.1, 396.1, 396.2, 397, 398;
D9/434-436, 439, 443, 447, 449, 454,
D9/499, 441, 451, 452, 503, 505, 544,
D9/551, 555, 651

CPC B65D 47/0814; B65D 39/00; B65D 39/08;
B65D 39/12; B65D 39/02

See application file for complete search history.

(56) **References Cited**

U.S. PATENT DOCUMENTS

12,501 A * 3/1855 Ashburner B65D 47/0814
215/237
91,349 A * 6/1869 Kutchscher B65D 47/0814
215/237
102,349 A * 4/1870 Wilson B65D 47/0814
215/237
102,669 A * 5/1870 Ely B65D 47/0814
215/237
103,624 A * 5/1870 Knecht B65D 47/0814
215/235
105,797 A * 7/1870 Gibbs B65D 47/0814
215/237

OTHER PUBLICATIONS

Ebay.Grolsch Caps. 2018. <URL:https://www.ebay.com/itm/GROLSCH-CAPS-6-REPLACEMENT-SWING-TOPS-EZ-CAP-FLIP-TOP-STOPPERS-ROOT-BEER-BOTTLES-/330937089839>. (Year: 2018).*

(Continued)

Primary Examiner — George D. Kirschbaum
Assistant Examiner — Darcey E Gottschalk
(74) *Attorney, Agent, or Firm* — Wenderoth, Lind & Ponack, L.L.P.

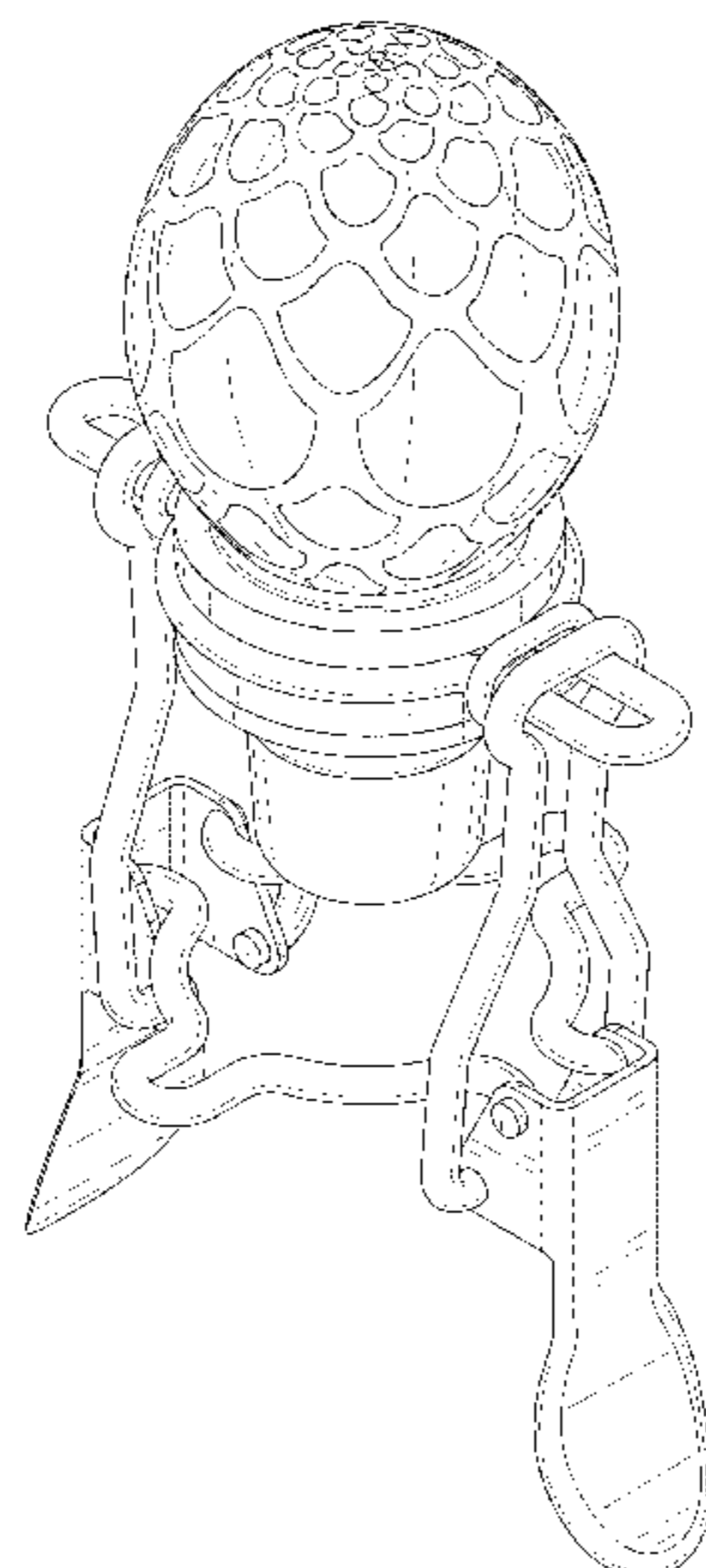
(57) **CLAIM**

The ornamental design for a cap with an opening-closure system, as shown and described.

DESCRIPTION

FIG. 1 is a perspective view of a cap with an opening-closure system;
FIG. 2 is a front view of FIG. 1;
FIG. 3 is a rear view of FIG. 1;
FIG. 4 is a side view of FIG. 1;
FIG. 5 is a side view of FIG. 1;
FIG. 6 is a top view of FIG. 1; and,
FIG. 7 is a bottom view of FIG. 1.
The broken lines depict portions of the cap with an opening-closure system that form no part of the claim.

1 Claim, 7 Drawing Sheets



(56)

References Cited

U.S. PATENT DOCUMENTS

D20,026 S * 7/1890 Bentley D9/505
 D20,027 S * 7/1890 Bentley D9/505
 D20,028 S * 7/1890 Bentley D9/505
 D21,192 S * 12/1891 Van Houten D9/505
 599,269 A 2/1898 Stadel
 640,897 A 1/1900 Fowler
 D34,996 S 8/1901 Brawner
 719,515 A 2/1903 Schiefer
 815,902 A 3/1906 Cardell
 823,437 A 6/1906 Peterson
 913,214 A 2/1909 Peterson
 945,842 A 1/1910 Fagerdtroem et al.
 946,334 A 1/1910 Cardell
 1,011,198 A 12/1911 Holmes
 1,109,570 A 9/1914 Fulmer et al.
 1,298,128 A 3/1919 White
 1,330,966 A 2/1920 White
 1,348,808 A 8/1920 Kivlan
 1,383,215 A 6/1921 Kivlan
 1,420,892 A 6/1922 Thompson
 D62,311 S 5/1923 Schoenbrun
 1,519,988 A 12/1924 Clark
 D70,957 S 8/1926 Guerin
 D71,125 S 9/1926 Becker
 D74,894 S 4/1928 Onthank
 D80,729 S * 3/1930 Huret D9/544
 D82,679 S * 12/1930 Hutcheson D9/441
 D98,040 S 12/1935 Lewis
 2,096,098 A 10/1937 Fraysur
 D121,369 S * 7/1940 Du Pree D7/300
 D166,477 S 4/1952 Margolis
 D186,971 S 12/1959 Chakine
 D192,826 S * 5/1962 Du Pree D9/544

4,175,668 A 11/1979 Hebert
 D270,614 S 9/1983 Desgrippes
 D307,545 S 5/1990 Hibbert
 D325,345 S 4/1992 Holland
 D335,444 S 5/1993 Marchini
 D342,903 S 1/1994 Ricci
 D462,905 S * 9/2002 Siegel D9/451
 D472,469 S * 4/2003 Versace D9/439
 D549,577 S * 8/2007 Schactner D9/439
 D562,150 S 2/2008 Gamarra
 D619,470 S 7/2010 Zeidan
 D638,706 S * 5/2011 de Bashmakoff D9/441
 D742,754 S 11/2015 Roth et al.
 9,254,057 B1 2/2016 McGinn
 9,332,867 B2 5/2016 Chase et al.
 2015/0060459 A1 3/2015 Wu

OTHER PUBLICATIONS

European Union Intellectual Property Office Certificate Registration No. 003864081-0001, registered Apr. 20, 2017.
 European Union Intellectual Property Office Certificate of Registration No. 003871169-0001, registered Apr. 25, 2017.
 European Union Intellectual Property Office Certificate of Registration No. 003871722-0001, registered Apr. 25, 2017.
 European Union Intellectual Property Office Certificate of Registration No. 003872662-0001, registered Apr. 25, 2017.
 European Union Intellectual Property Office Certificate of Registration No. 003872696-0001, registered Apr. 25, 2017.
 European Union Intellectual Property Office Certificate of Registration No. 003872829-0001, registered Apr. 25, 2017.
 European Union Intellectual Property Office Certificate of Registration No. 004026078-0001, registered May 31, 2017.

* cited by examiner

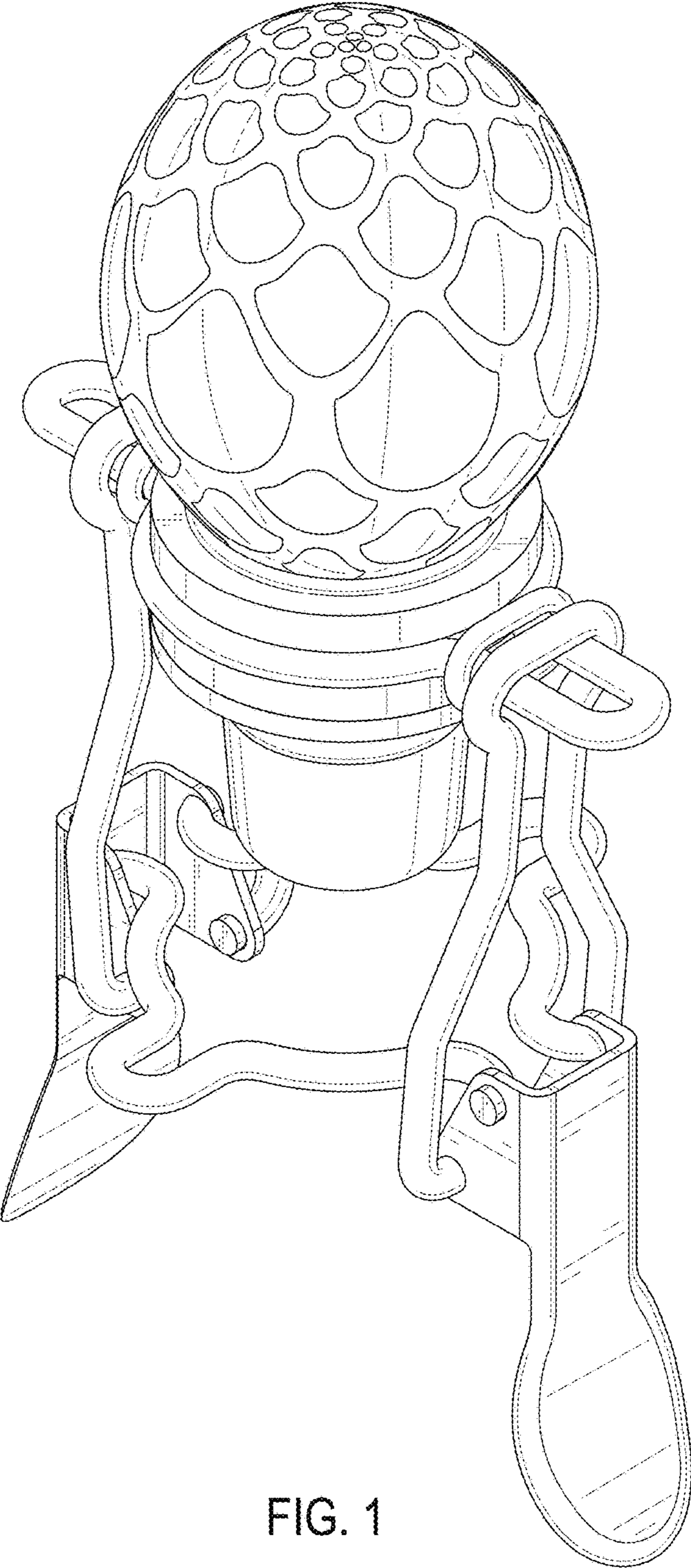


FIG. 1

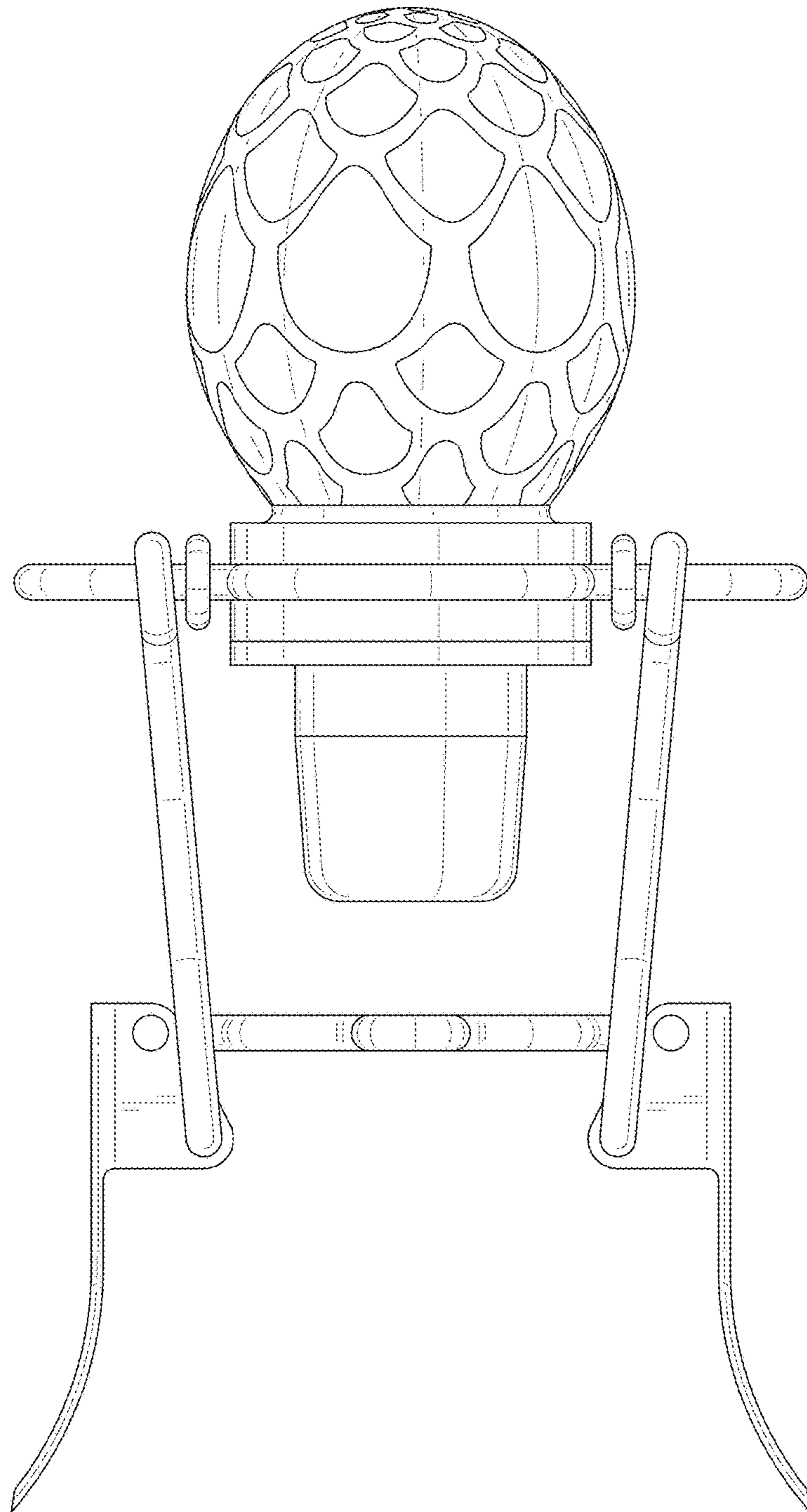


FIG. 2

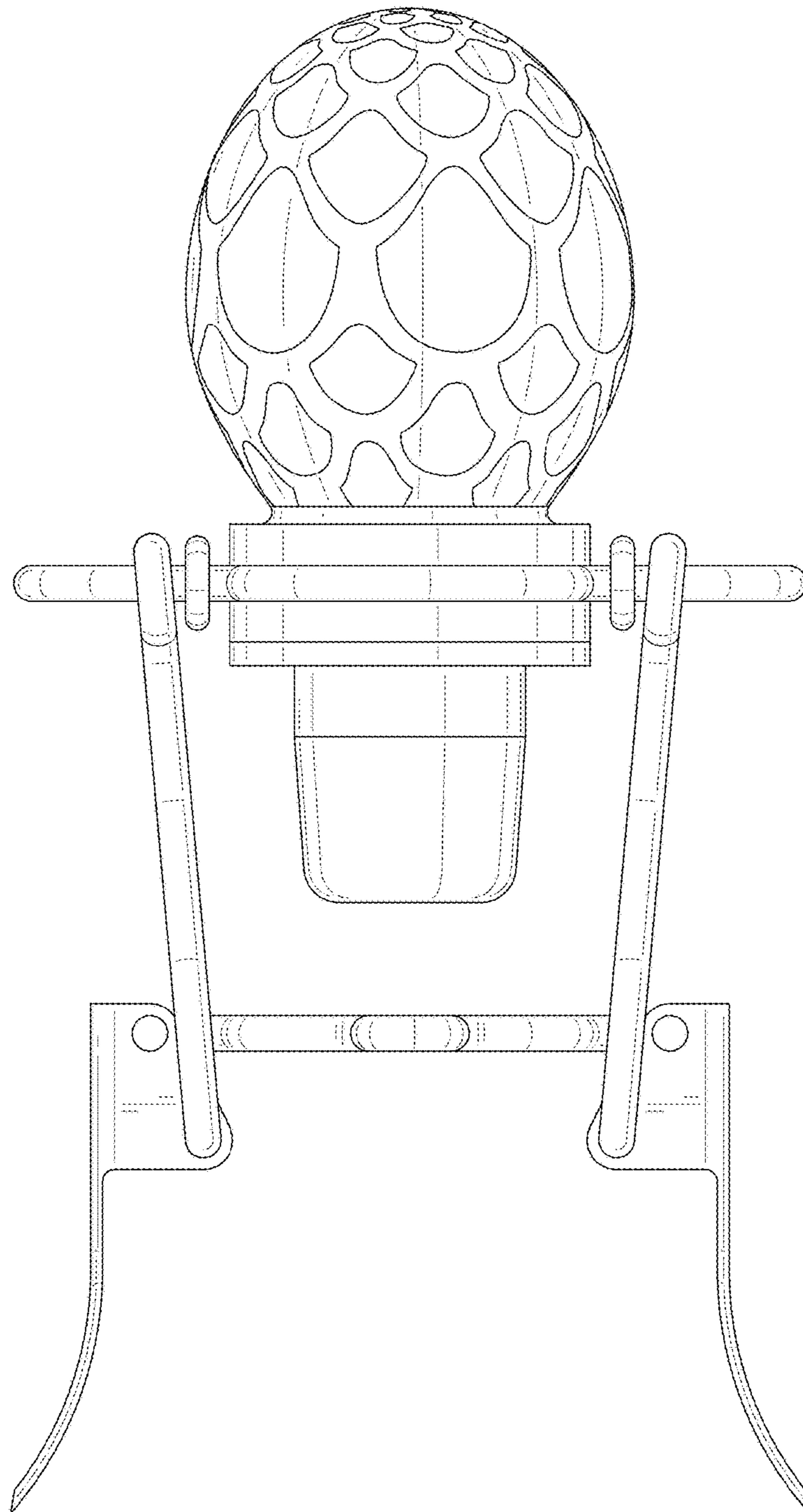


FIG. 3

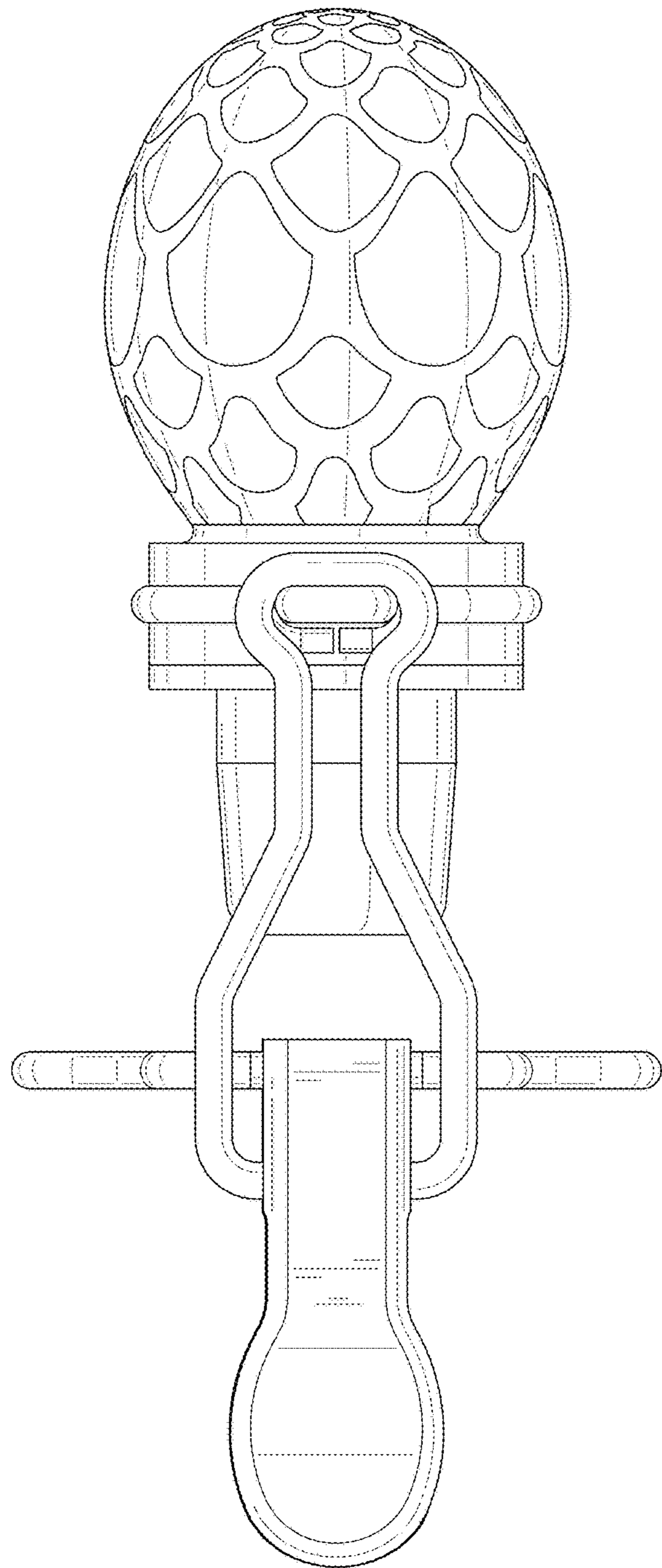


FIG. 4

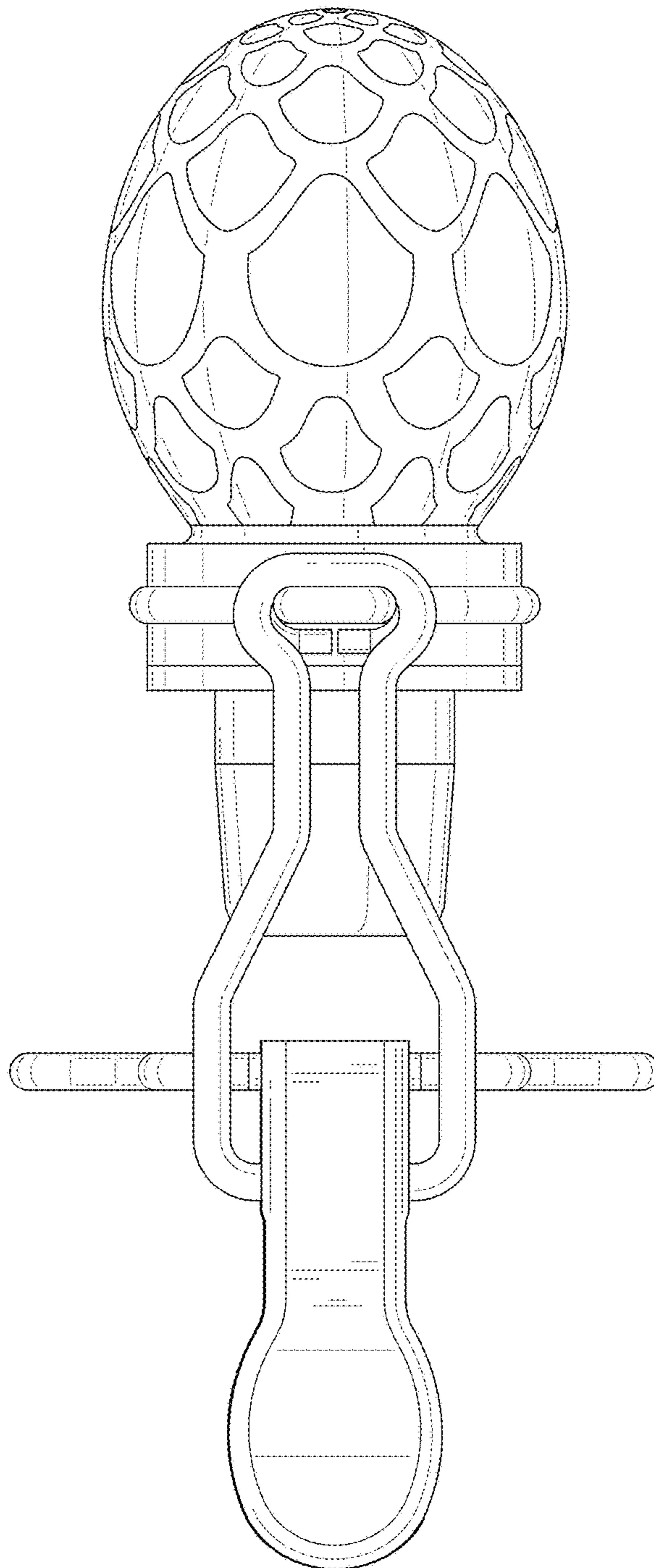


FIG. 5

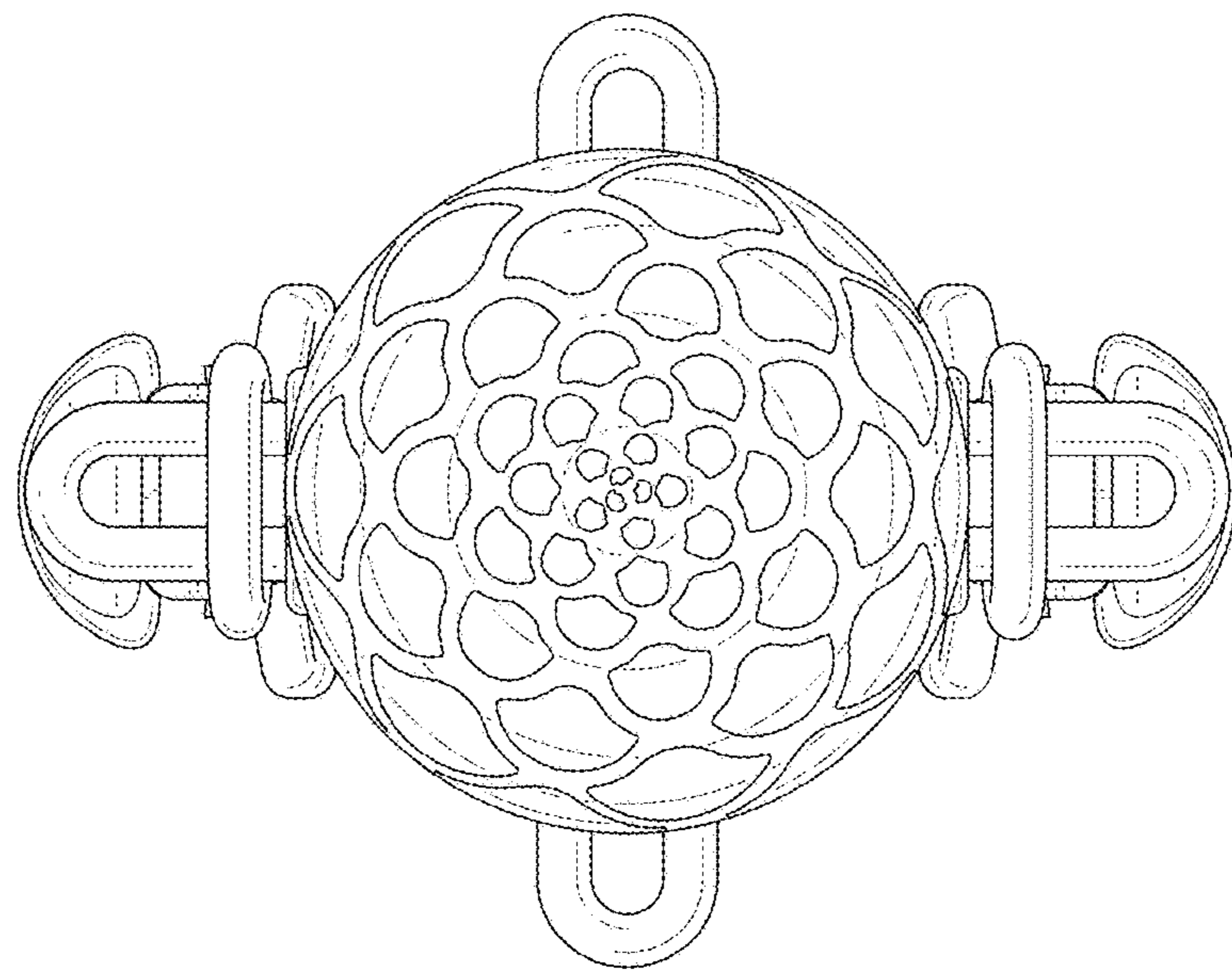


FIG. 6

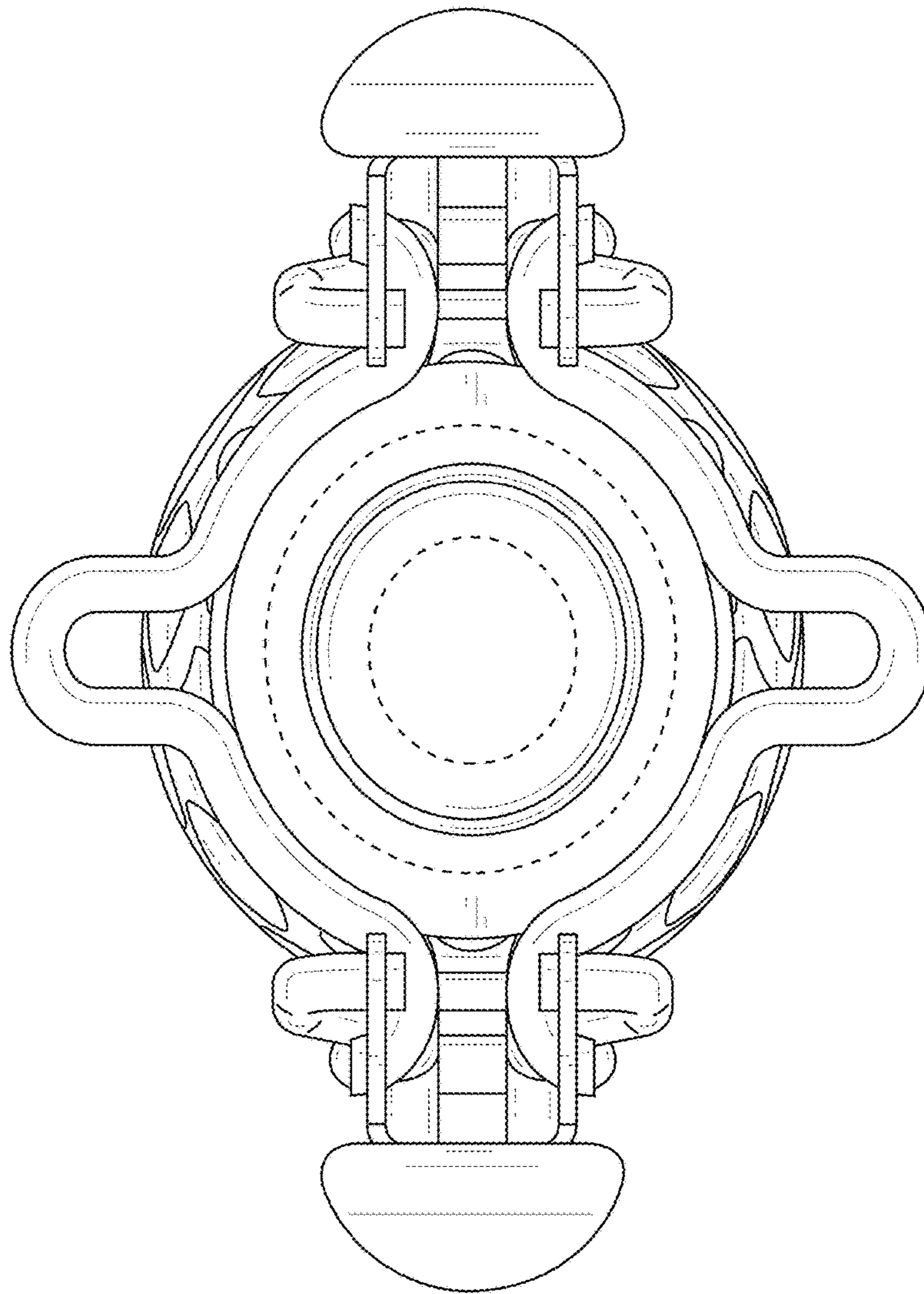


FIG. 7