

US00D865518S

(12) **United States Design Patent** (10) **Patent No.:** **US D865,518 S**
McConnell et al. (45) **Date of Patent:** **** *Nov. 5, 2019**

(54) **CONNECTABLE CAP**

(71) Applicant: **1316 LLC**, Las Vegas, NV (US)

(72) Inventors: **Thomas E. McConnell**, Santa Ynez, CA (US); **Qianqian Wang**, Jiangsu (CN)

(73) Assignee: **1316 LLC**, Las Vegas, NV (US)

(*) Notice: This patent is subject to a terminal disclaimer.

(**) Term: **15 Years**

(21) Appl. No.: **29/574,653**

(22) Filed: **Aug. 17, 2016**

(51) **LOC (12) Cl.** **09-07**

(52) **U.S. Cl.**
USPC **D9/436**

(58) **Field of Classification Search**
USPC D3/302; D7/300, 300.1, 313, 314, 316, D7/387, 393, 392.2, 395, 396.1, 396.2,
(Continued)

(56) **References Cited**

U.S. PATENT DOCUMENTS

D134,789 S * 1/1943 Gade 411/276
D208,522 S * 9/1967 Graham D23/262
(Continued)

FOREIGN PATENT DOCUMENTS

CA 2490627 A1 * 6/2005 B65D 21/0204
CA 2850736 A1 * 4/2012 B65D 21/0204
(Continued)

OTHER PUBLICATIONS

Lego Bottle Cap: Announced Apr. 24, 2015, site visited [Nov. 8, 2017, Online]. Available from Internet URL: <https://www.trendhunter.com/trends/bottle-cap-recycling>.*

(Continued)

Primary Examiner — Jennifer Rivard

Assistant Examiner — Catherine S Posthauer

(74) *Attorney, Agent, or Firm* — WPAT, P.C., Intellectual Property Attorneys; Anthony King

(57) **CLAIM**

The ornamental design for a connectable cap, as shown and described.

DESCRIPTION

FIG. 1 is a front view of a connectable cap of the present invention;

FIG. 2 is a back view of the connectable cap of FIG. 1;

FIG. 3 is a side view of the connectable cap of FIG. 1;

FIG. 4 is a side view of the connectable cap of FIG. 1;

FIG. 5 is a front and side perspective view of the connectable cap of FIG. 1;

FIG. 6 is a back and side perspective view of the connectable cap of FIG. 1;

FIG. 7 is a front view of the connectable cap of FIG. 1 with three units connected horizontally;

FIG. 8 is a front and side perspective view of the connectable cap of FIG. 1 with three units connected horizontally;

FIG. 9 is a back and side perspective view of the connectable cap of FIG. 1 with three units connected horizontally;

FIG. 10 is a front and side perspective view of the connectable cap of FIG. 1 with three units connected vertically;

FIG. 11 is a front view of the connectable cap of FIG. 1 horizontally connected to other connectable caps having different configuration at the top of the cap;

FIG. 12 is a front and side perspective view of the connectable cap of FIG. 1 horizontally connected to other connectable caps having different configuration at the top of the cap;

FIG. 13 is a front and side perspective view of the connectable cap of FIG. 1 with two of the connectable cap units vertically connected, and another connectable cap having different configuration at the top of the cap horizontally connected to one of the connectable cap unit;

FIG. 14 is a front and side perspective view of the connectable cap of FIG. 1 with the top of the connectable cap slid into a side of another connectable cap having different configuration at the top of the cap; and,

(Continued)

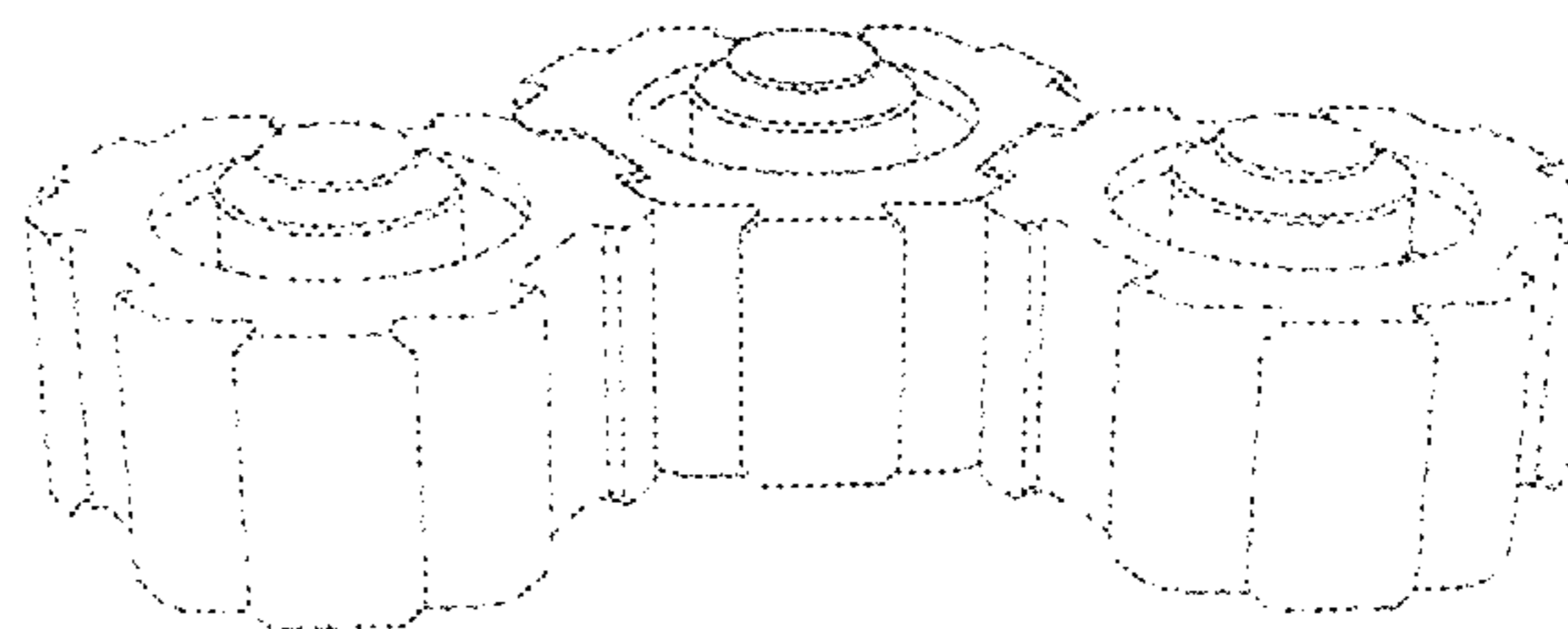
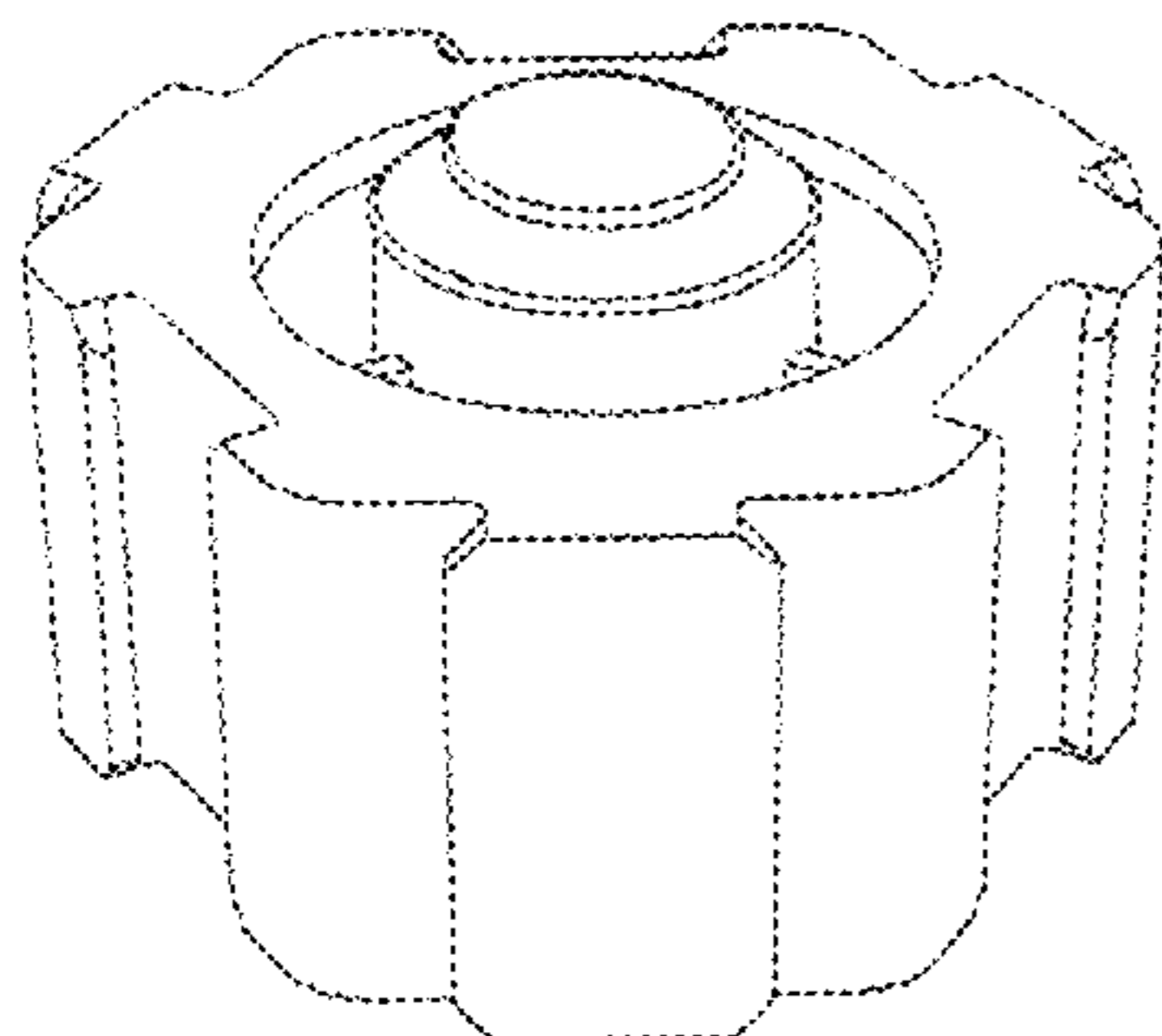


FIG. 15 is another perspective view of the connectable cap of FIG. 14 showing my new design.

The broken lines are shown for the purpose of illustrating parts of the article that form no part of the claim.

1 Claim, 8 Drawing Sheets

(58) **Field of Classification Search**

USPC D7/397, 398, 401.1, 436, 509, 510, 511,
 D7/523, 525, 526, 527, 528, 531, 538,
 D7/543, 548, 602, 619.1, 620, 743, 744,
 D7/745, 746, 900; D9/434, 435, 436,
 D9/437, 438, 440, 443, 446, 447, 448,
 D9/449, 450, 453, 454, 686, 688, 690,
 D9/723, 724, 763, 772; D24/121, 124;
 D23/259–269; D21/478, 479, 480
 CPC B65D 21/02; B65D 21/04; B65D 21/0217;
 B65D 81/361; B65D 81/00; B65D 81/36;
 B65D 41/0421; B65D 41/02; B65D
 2251/023; B65D 50/041; B65D 23/00;
 B65D 1/00; B65D 1/02; B65D 1/0223;
 B65D 2501/00; B65D 2501/0009; B65D
 83/06; A47G 19/22; A47G 19/23; F16L
 23/00; F16L 27/00; A63H 33/04; A63H
 33/08

See application file for complete search history.

(56) **References Cited**

U.S. PATENT DOCUMENTS

D208,523 S * 9/1967 Graham D23/263
 D208,524 S * 9/1967 Graham D23/263
 3,374,917 A * 3/1968 Troy A63H 33/08
 206/504
 D214,745 S * 7/1969 Walker 446/127
 D217,540 S * 5/1970 Weise D8/397
 3,713,247 A * 1/1973 Parrilla A63H 33/08
 446/127
 D227,528 S * 7/1973 Wahl D15/136
 D277,454 S * 2/1985 Meinhardt D13/154

D278,883 S * 5/1985 Frieberg D8/399
 5,024,067 A * 6/1991 Maier, II B65D 21/0204
 220/23.4
 D322,025 S * 12/1991 Funston D8/382
 5,361,919 A * 11/1994 Hull B65D 81/361
 215/228
 D427,669 S * 7/2000 Ruuska D23/266
 D586,225 S * 2/2009 Devereaux D9/541
 7,648,407 B1 * 1/2010 Sorensen A63H 33/084
 446/120
 D639,144 S * 6/2011 Schaefer D25/122
 D654,151 S * 2/2012 Nease D23/260
 D737,961 S * 9/2015 Schultz D24/129
 D739,526 S * 9/2015 Chauvette D24/129
 9,346,585 B2 * 5/2016 Hendrickson B65D 21/0204
 D784,132 S * 4/2017 Johnson D9/434
 D794,466 S * 8/2017 Hendrickson D9/559
 D794,467 S * 8/2017 Hendrickson D9/559
 2006/0261063 A1 * 11/2006 Dyehouse B65D 21/0204
 220/23.4
 2008/0283526 A1 * 11/2008 Buchanan B65D 21/0204
 220/23.4
 2009/0090647 A1 * 4/2009 Panchal B65D 21/0204
 206/504
 2012/0211460 A1 * 8/2012 Tamarindo B65D 41/0485
 215/228
 2013/0213927 A1 * 8/2013 Hendrickson B65D 23/00
 215/383
 2017/0217634 A1 * 8/2017 Hendrickson B65D 21/0204

FOREIGN PATENT DOCUMENTS

DE 1607861 A1 * 2/1970 B65D 81/361
 DE 10324119 A1 * 12/2004 B65D 1/0223
 FR 2621013 A1 * 3/1989 B65D 21/0231
 JP 2012171693 A * 9/2012 B65D 41/0485
 NL 1000680 C2 * 12/1996 A63H 33/04

OTHER PUBLICATIONS

Fun Cap: Announced Jul. 3, 2017, site visited [Nov. 8, 2017,
 Online]. Available from Internet URL: https://challenges.openideo.com/challenge/circular-design/ideas/funcap/comments.*

* cited by examiner

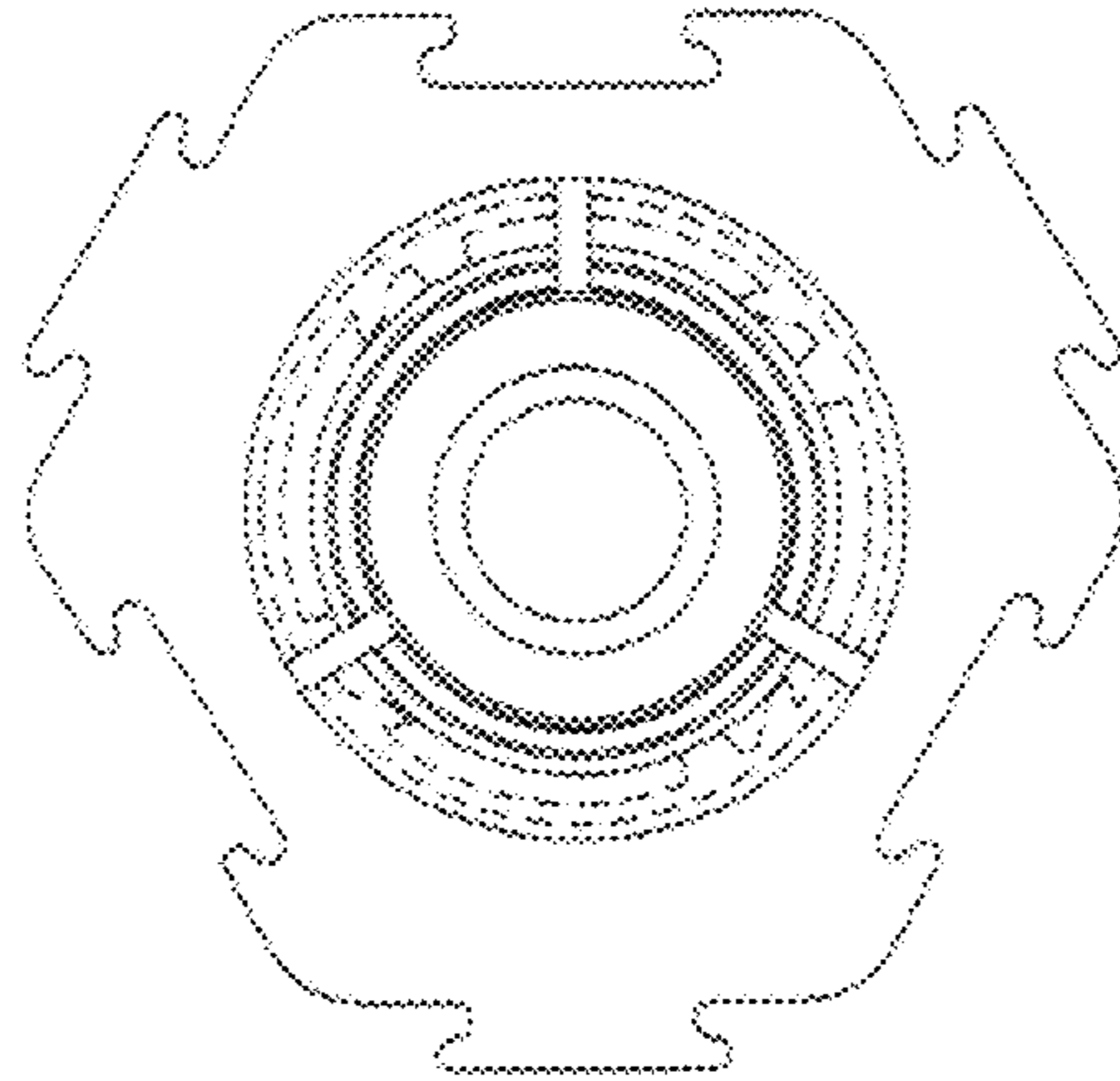


Fig. 1

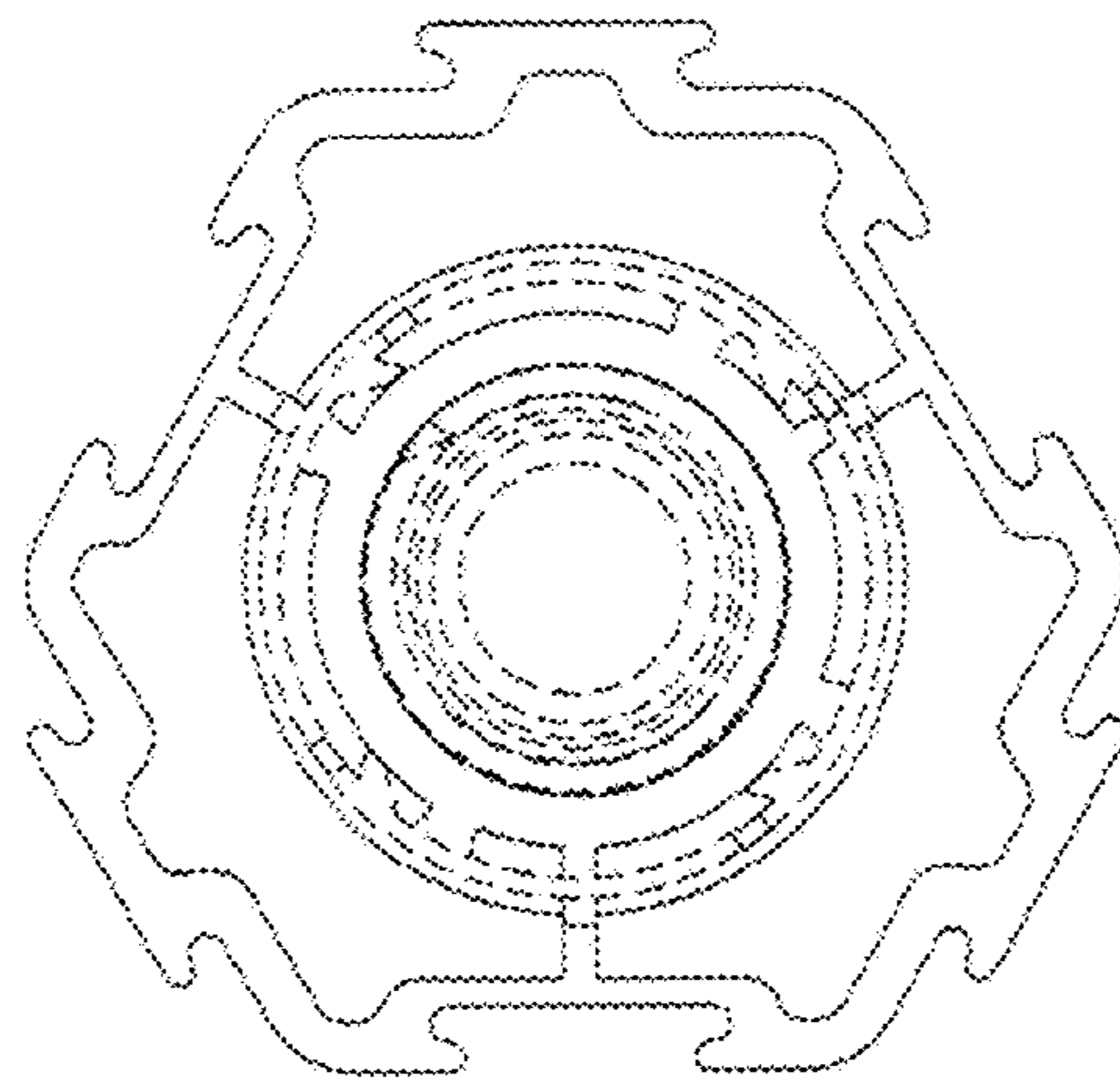


Fig. 2

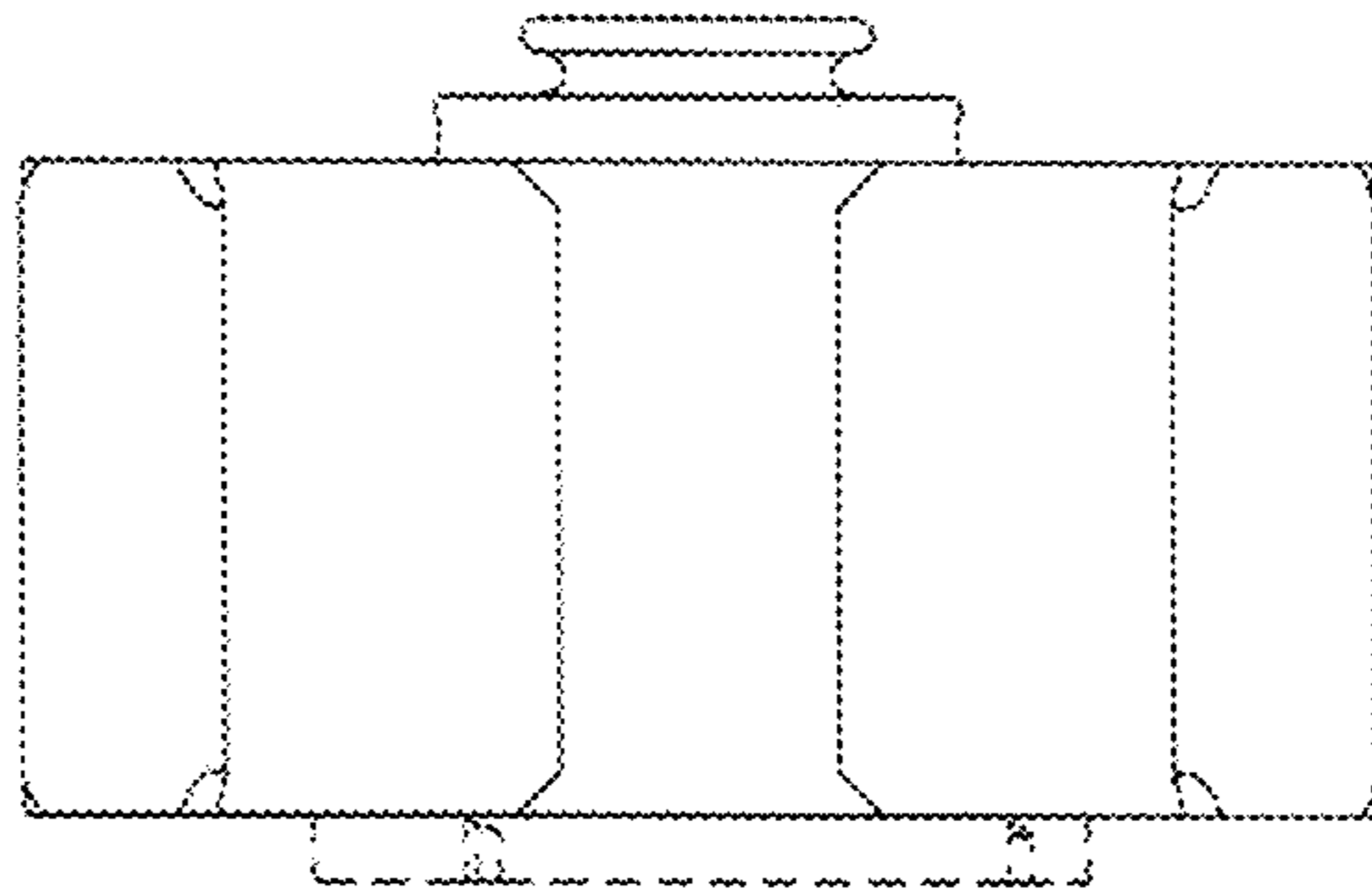


Fig. 3

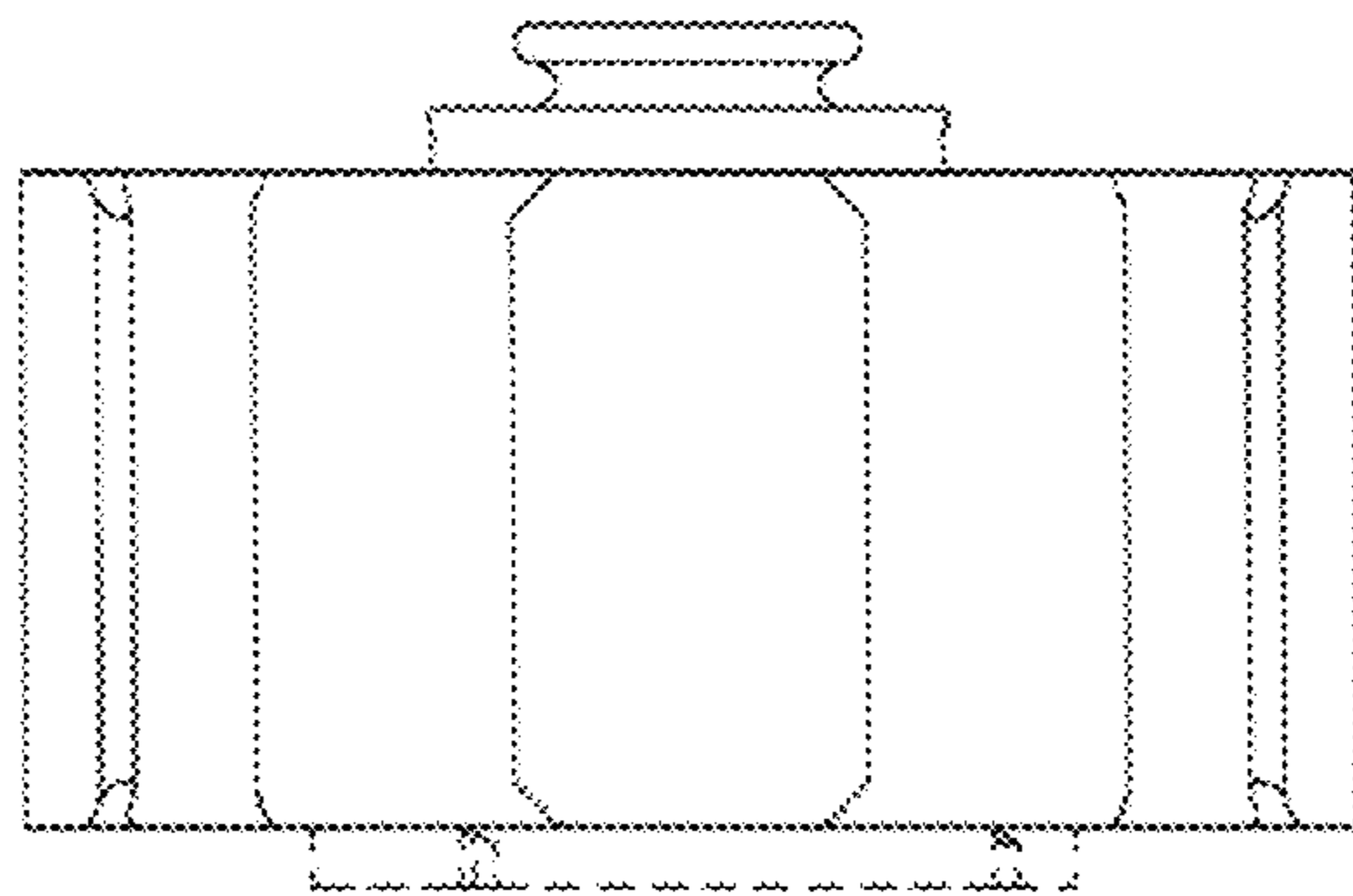


Fig. 4

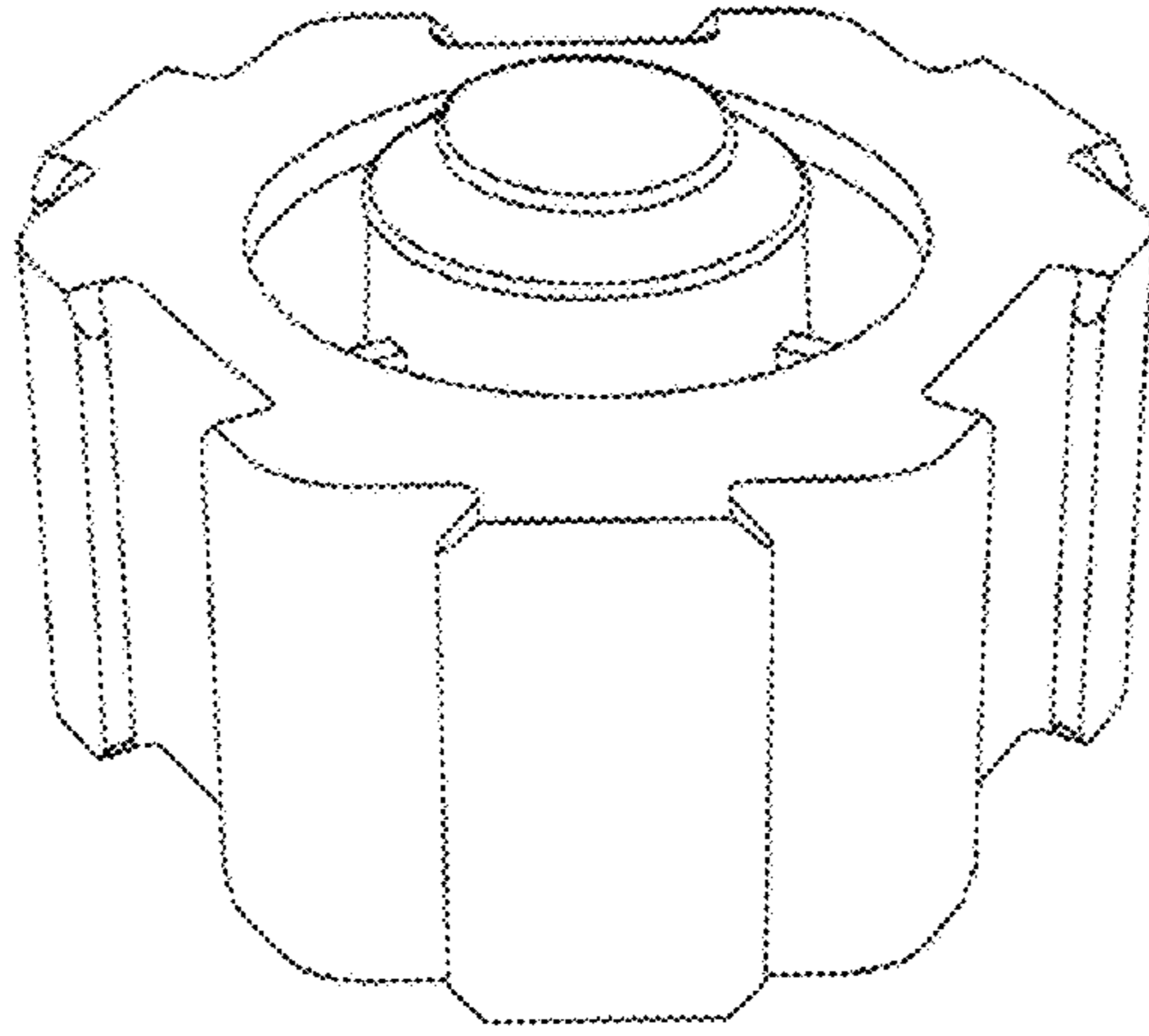


Fig. 5

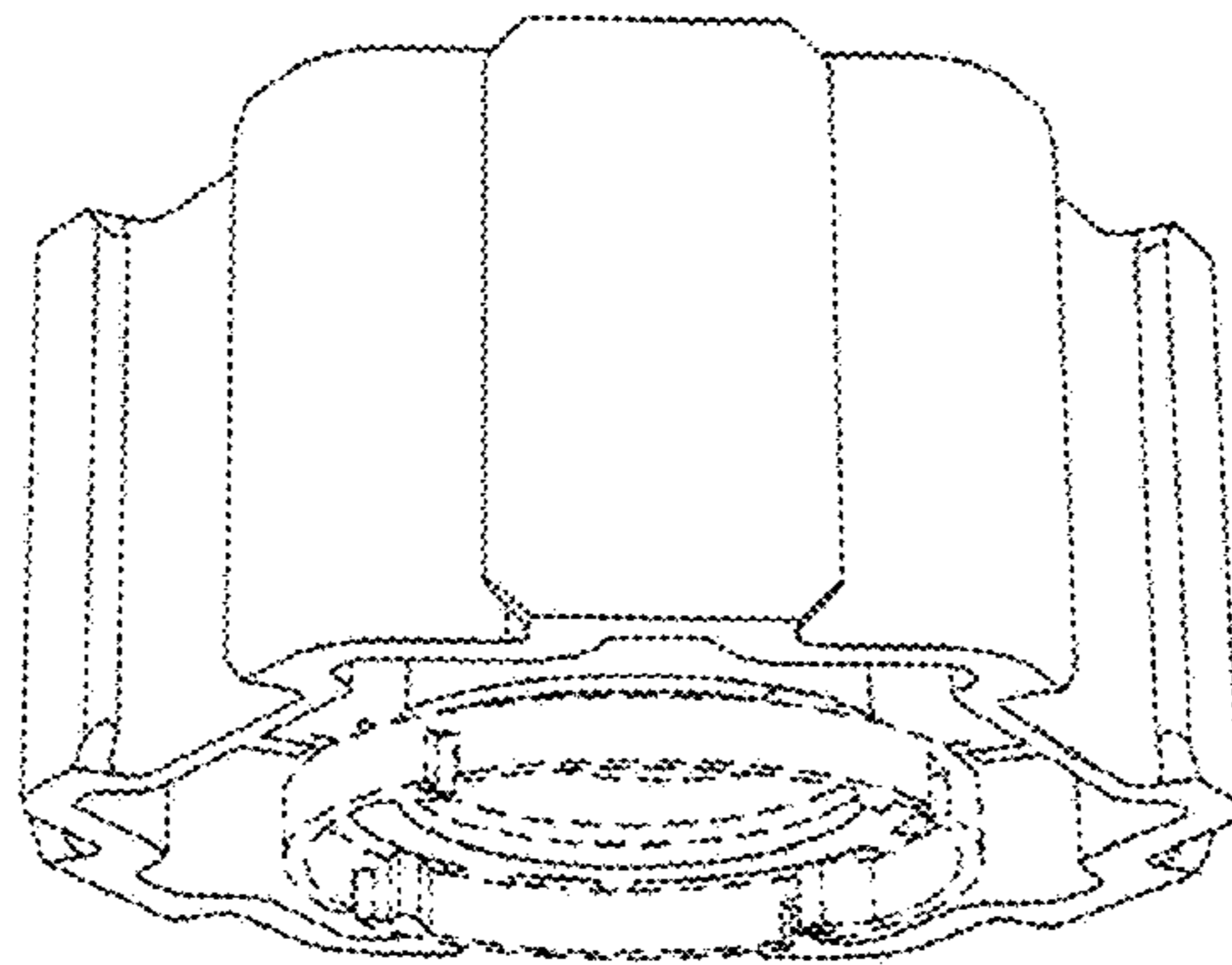


Fig. 6

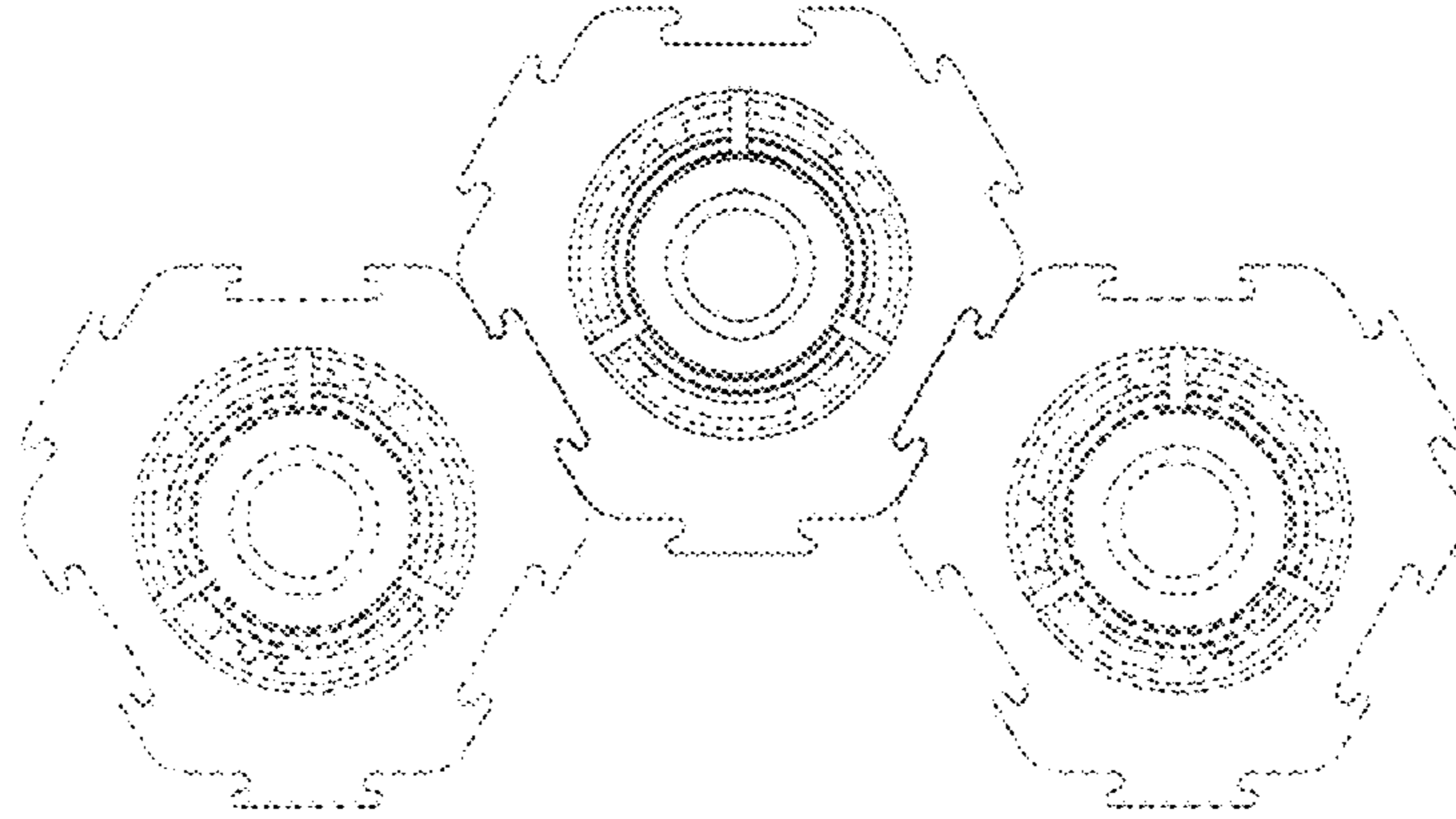


Fig. 7

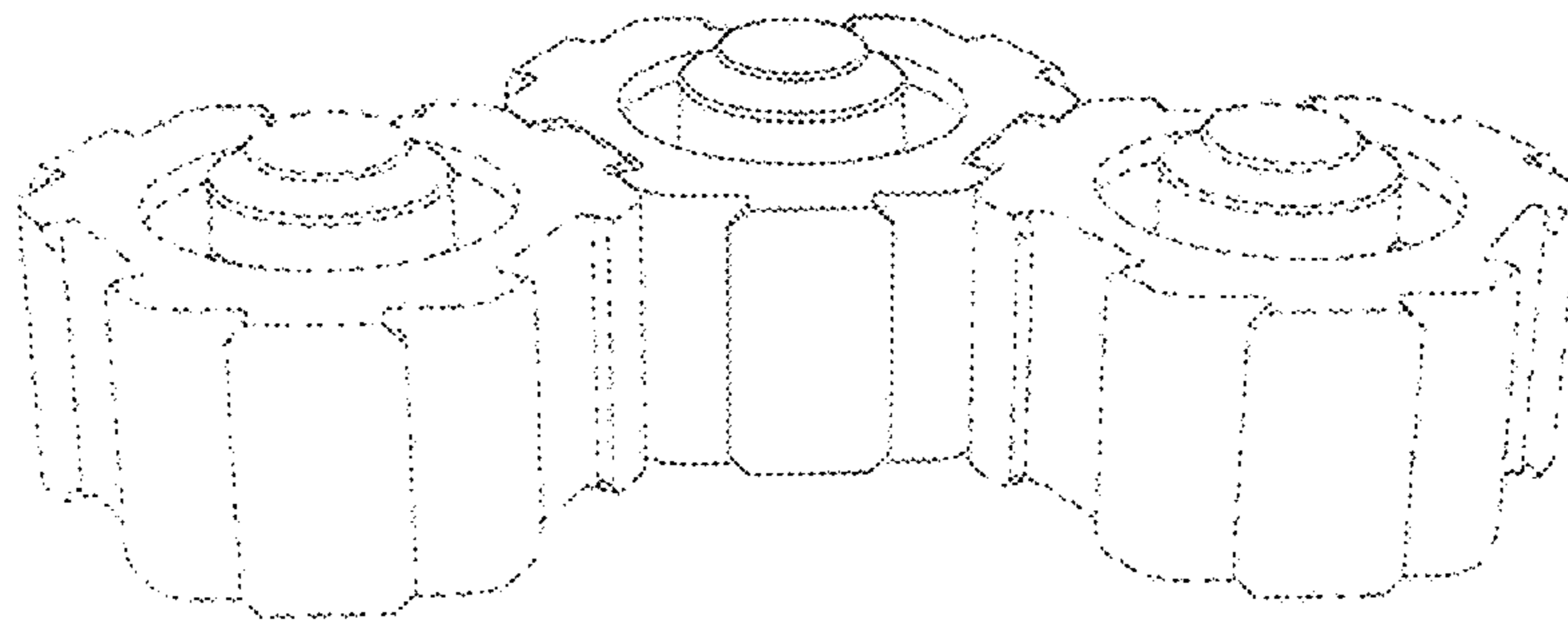


Fig. 8

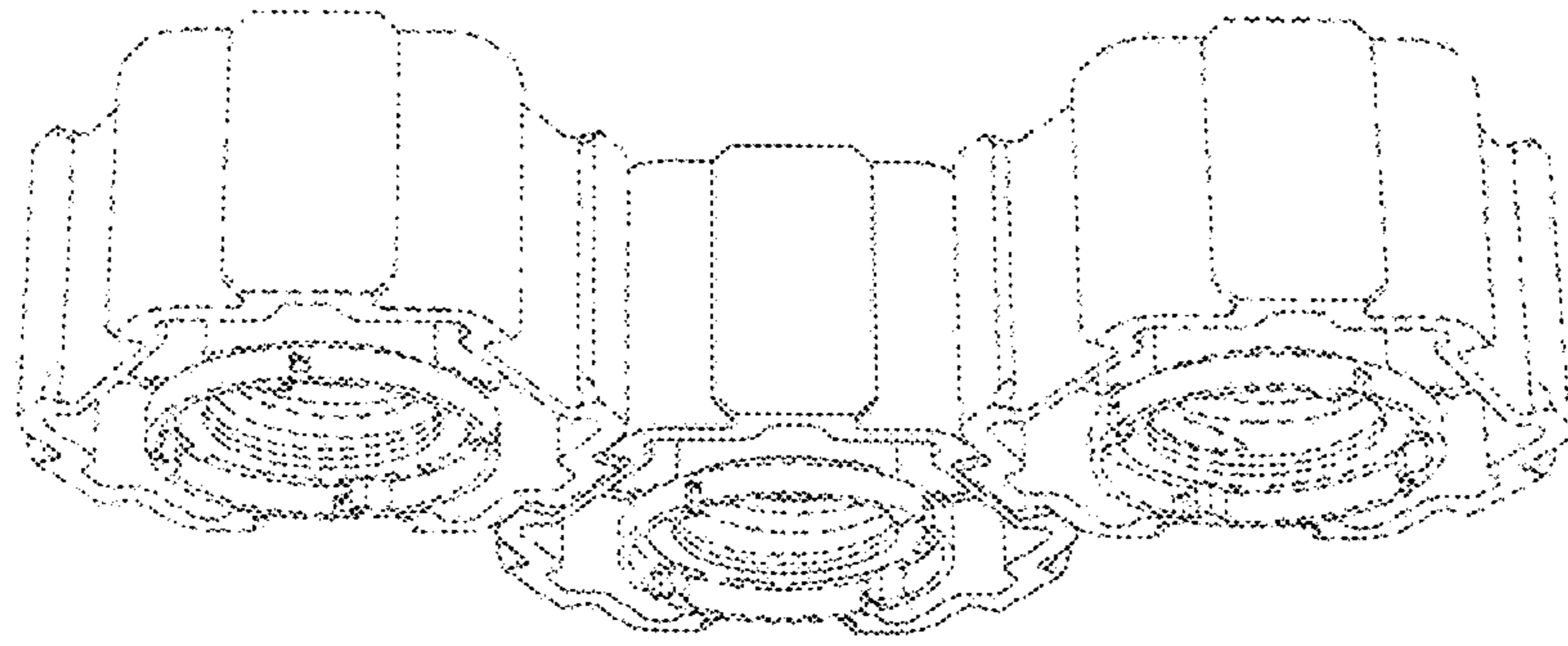


Fig. 9

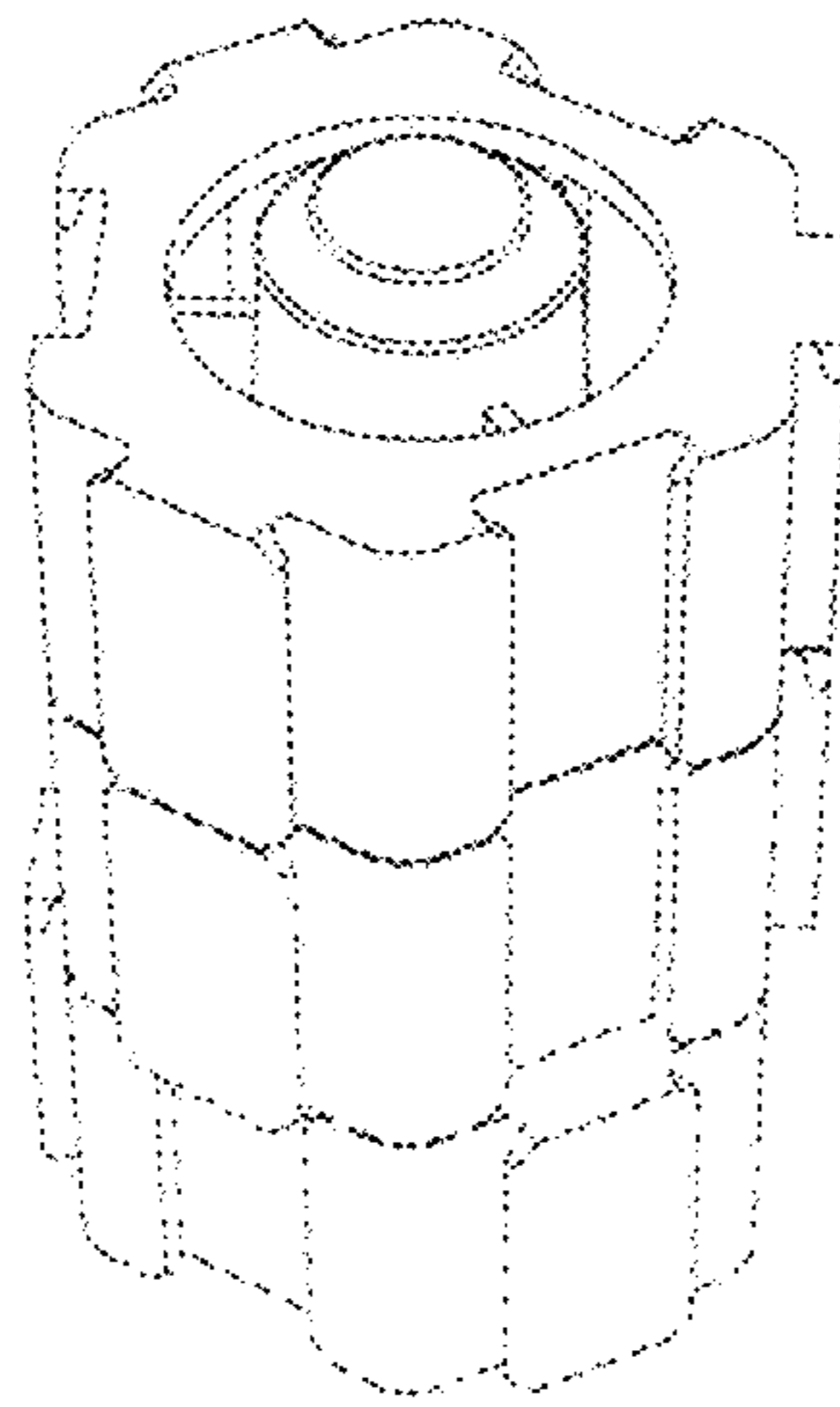


Fig. 10

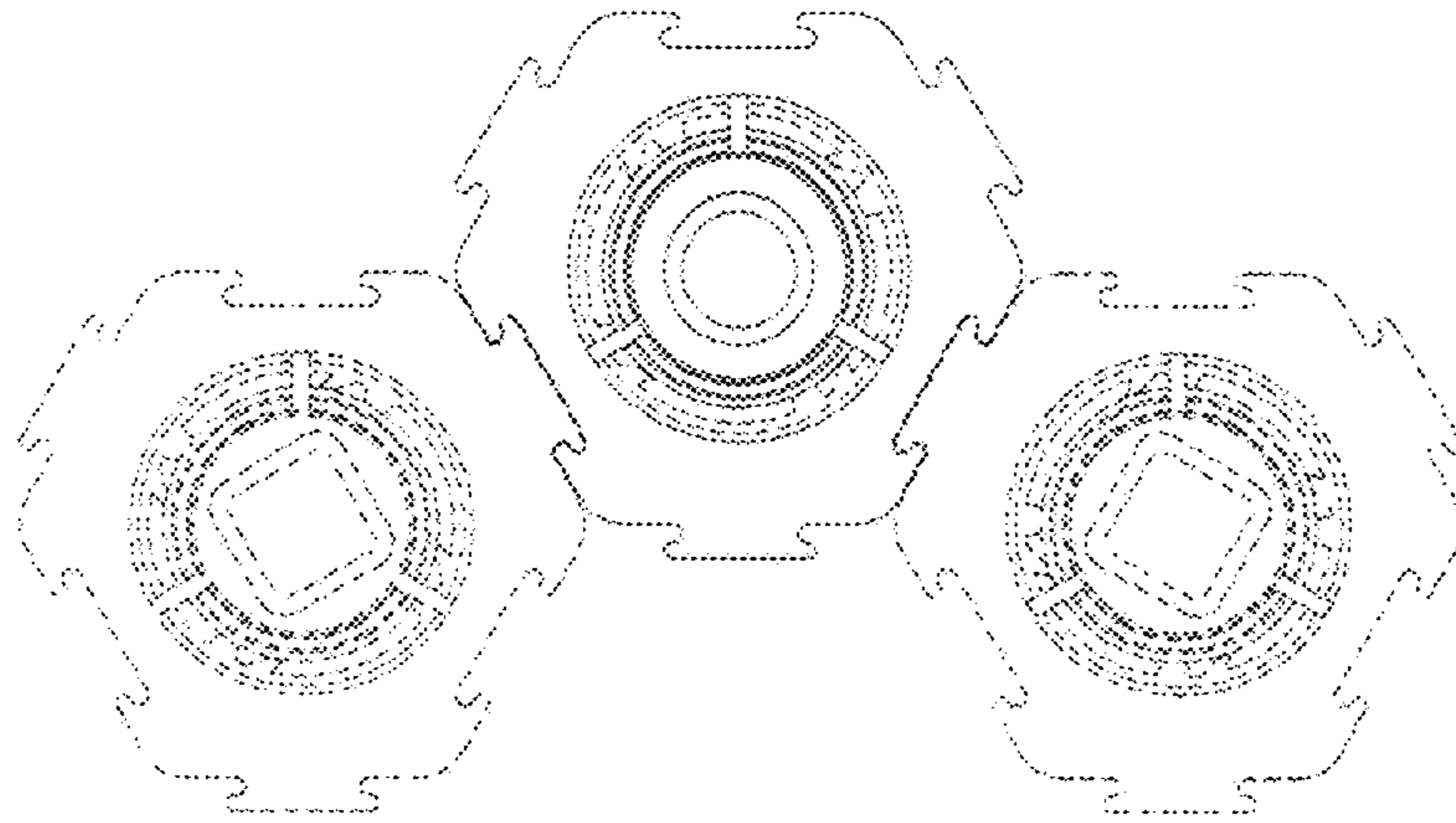


Fig. 11

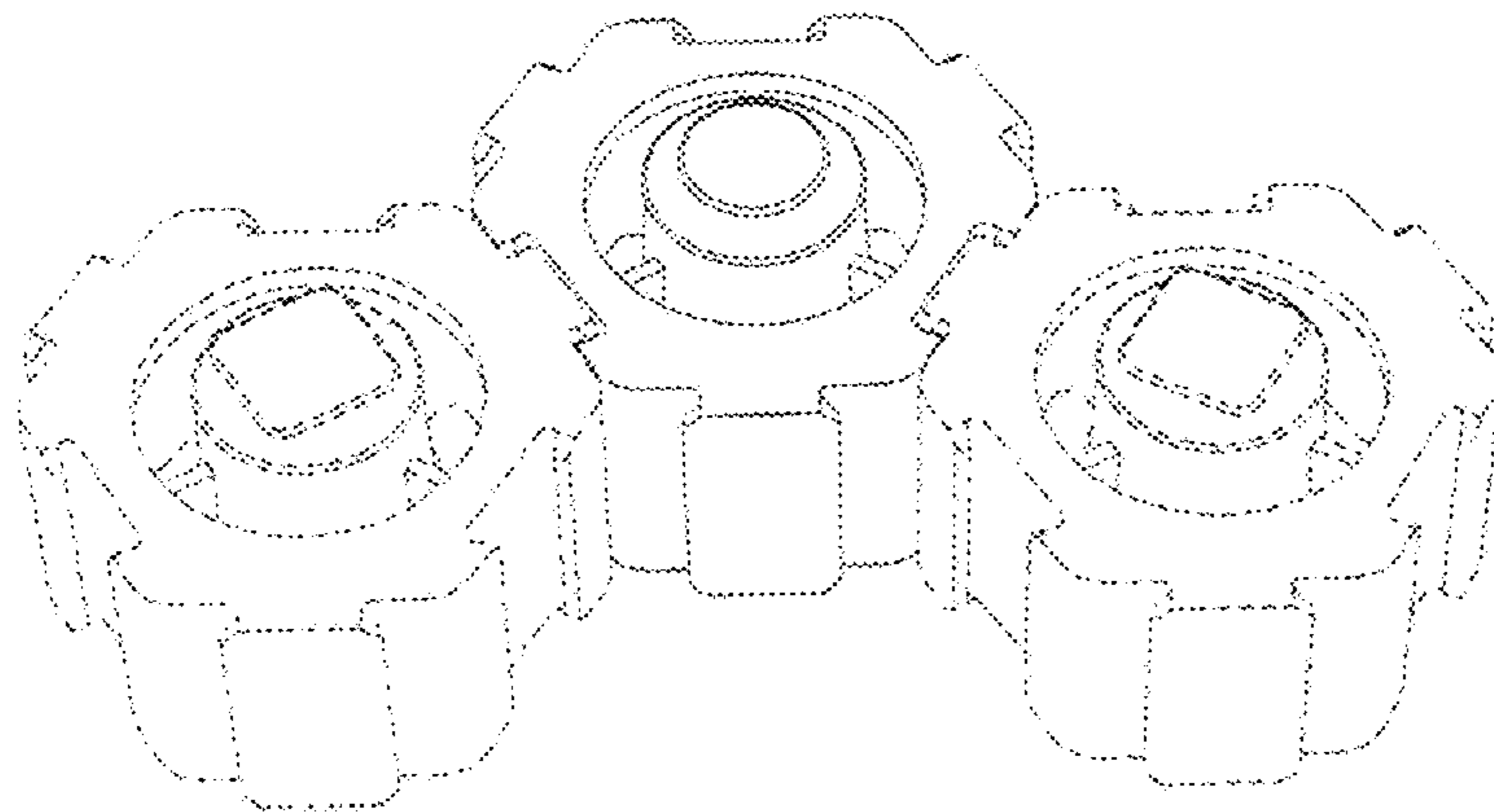


Fig. 12

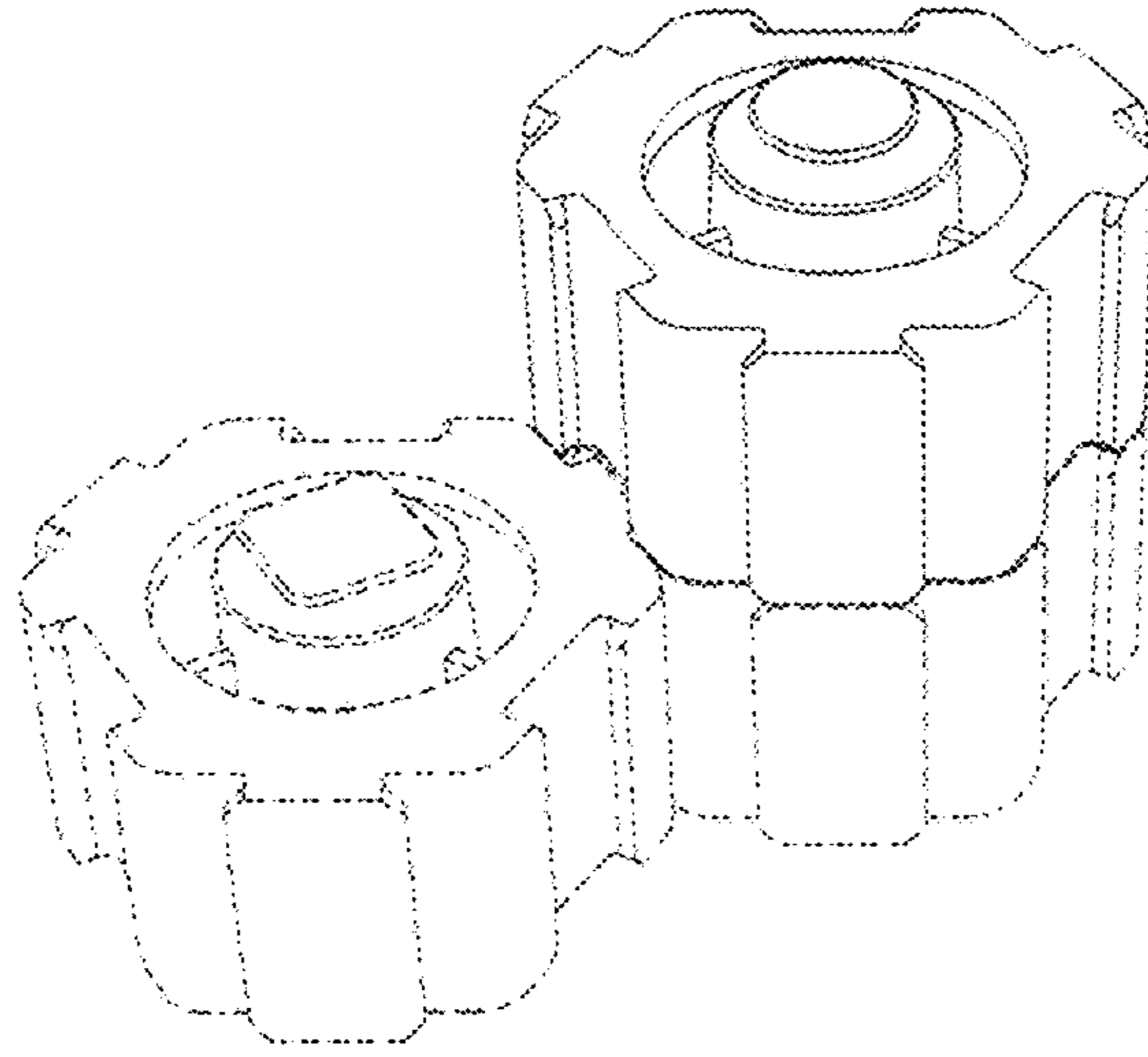


Fig. 13

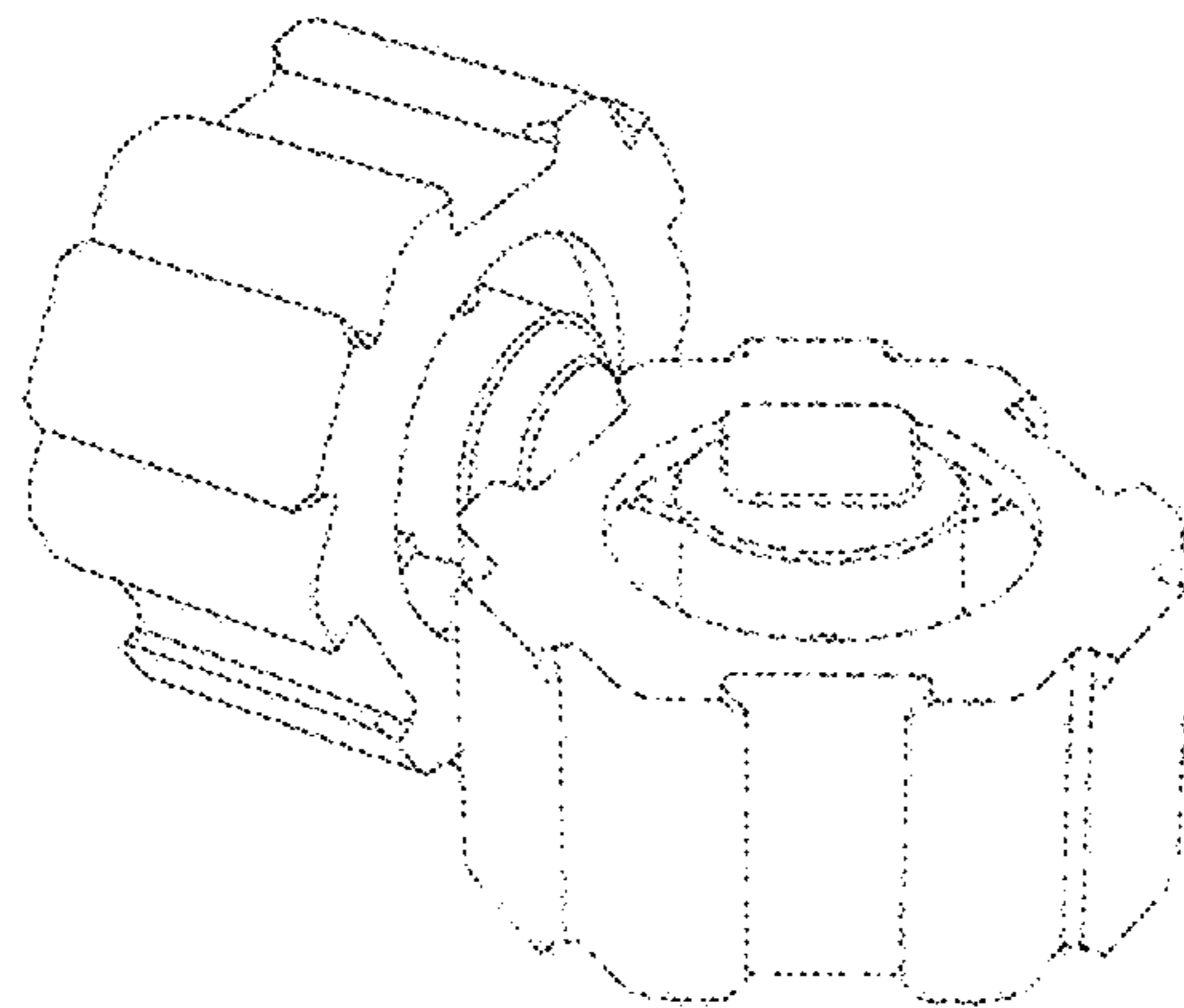


Fig. 14

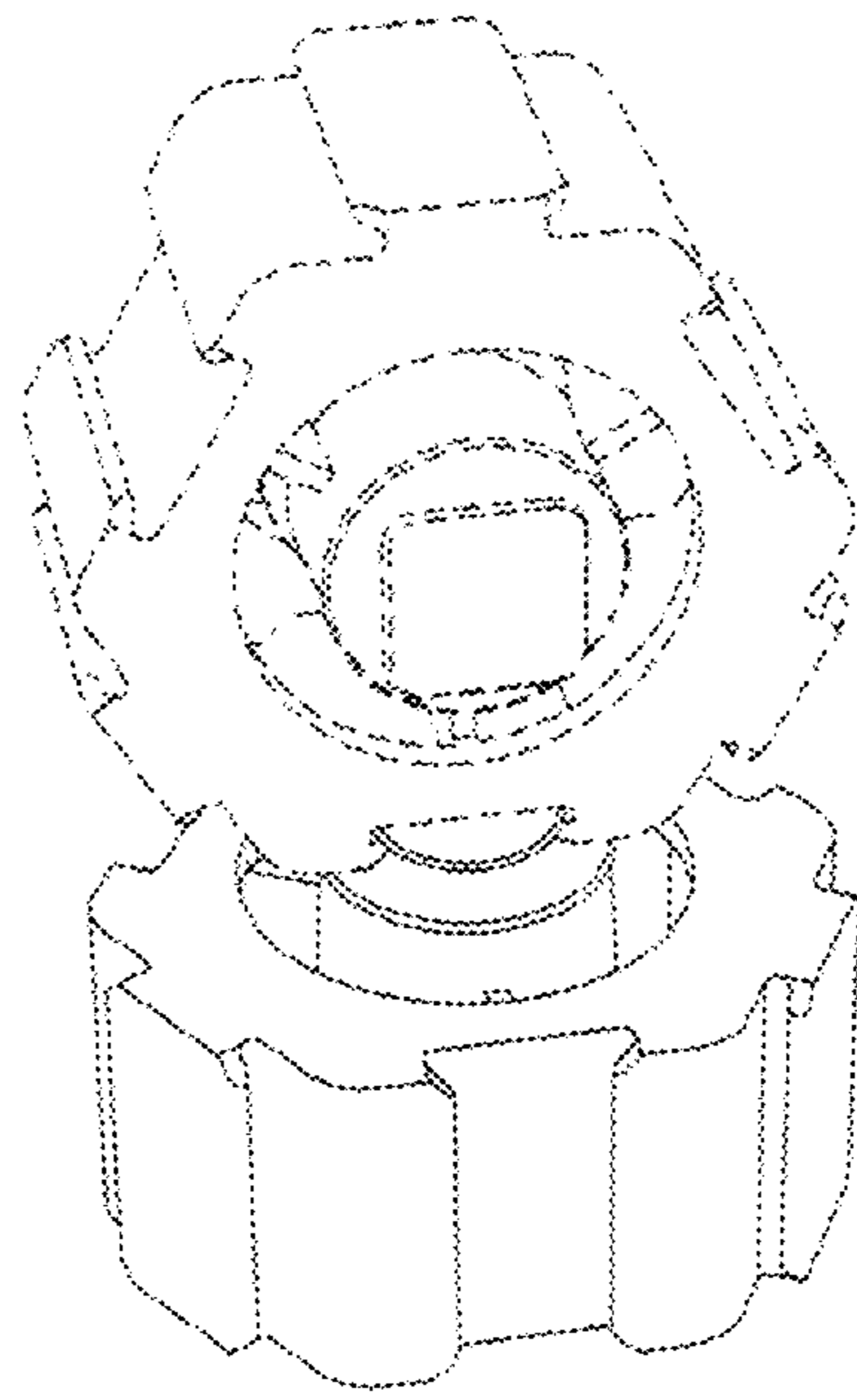


Fig. 15