



US00D865515S

(12) **United States Design Patent** (10) **Patent No.:** **US D865,515 S**
McKenzie et al. (45) **Date of Patent:** **** Nov. 5, 2019**

(54) **E-CIGARETTE PACKAGING**

FOREIGN PATENT DOCUMENTS

(71) Applicant: **Nicoventures Holdings Limited**,
London (GB)

CN 300867097 11/2004
CN 300840847 9/2007

(Continued)

(72) Inventors: **Aaron McKenzie**, London (GB); **Andy Dray**, London (GB)

OTHER PUBLICATIONS

(73) Assignee: **NICOVENTURES HOLDINGS LIMITED**, London (GB)

RU Application No. 1750020/21, Decision of Grant dated Oct. 19, 2017, 4 pages.

(Continued)

(**) Term: **15 Years**

(21) Appl. No.: **29/642,369**

Primary Examiner — Vy N Koenig

(22) Filed: **Mar. 29, 2018**

(74) *Attorney, Agent, or Firm* — Patterson Thuent Pedersen, P.A.

Related U.S. Application Data

(57) **CLAIM**

(63) Continuation of application No. 29/582,375, filed on Oct. 27, 2016, now Pat. No. Des. 834,937.

We claim the ornamental design for an e-cigarette packaging, as shown and described.

(51) **LOC (12) Cl.** **09-03**

(52) **U.S. Cl.**
USPC **D9/432**; D9/414; D9/420

DESCRIPTION

(58) **Field of Classification Search**
USPC D9/414–423, 424–429, 430–433, 434, D9/456, 457, 711, 713, 721–722; D3/272–274, 290, 304, 305, 315; D20/10, 22, 27, 40, 42
CPC ... B65D 5/00; B65D 5/02; B65D 5/18; B65D 5/20

FIG. 1 is a perspective view of an e-cigarette packaging showing our new design.
FIG. 2 is a front view of the e-cigarette packaging depicted in FIG. 1.
FIG. 3 is a back view of the e-cigarette packaging depicted in FIG. 1.
FIG. 4 is a top view of the e-cigarette packaging depicted in FIG. 1.
FIG. 5 is a bottom view of the e-cigarette packaging depicted in FIG. 1.
FIG. 6 is a first side view of the e-cigarette packaging depicted in FIG. 1; and,
FIG. 7 is a second side view of the e-cigarette packaging depicted in FIG. 1.
The broken lines in the drawings depict portions of the e-cigarette packaging that form no part of the claimed design.

See application file for complete search history.

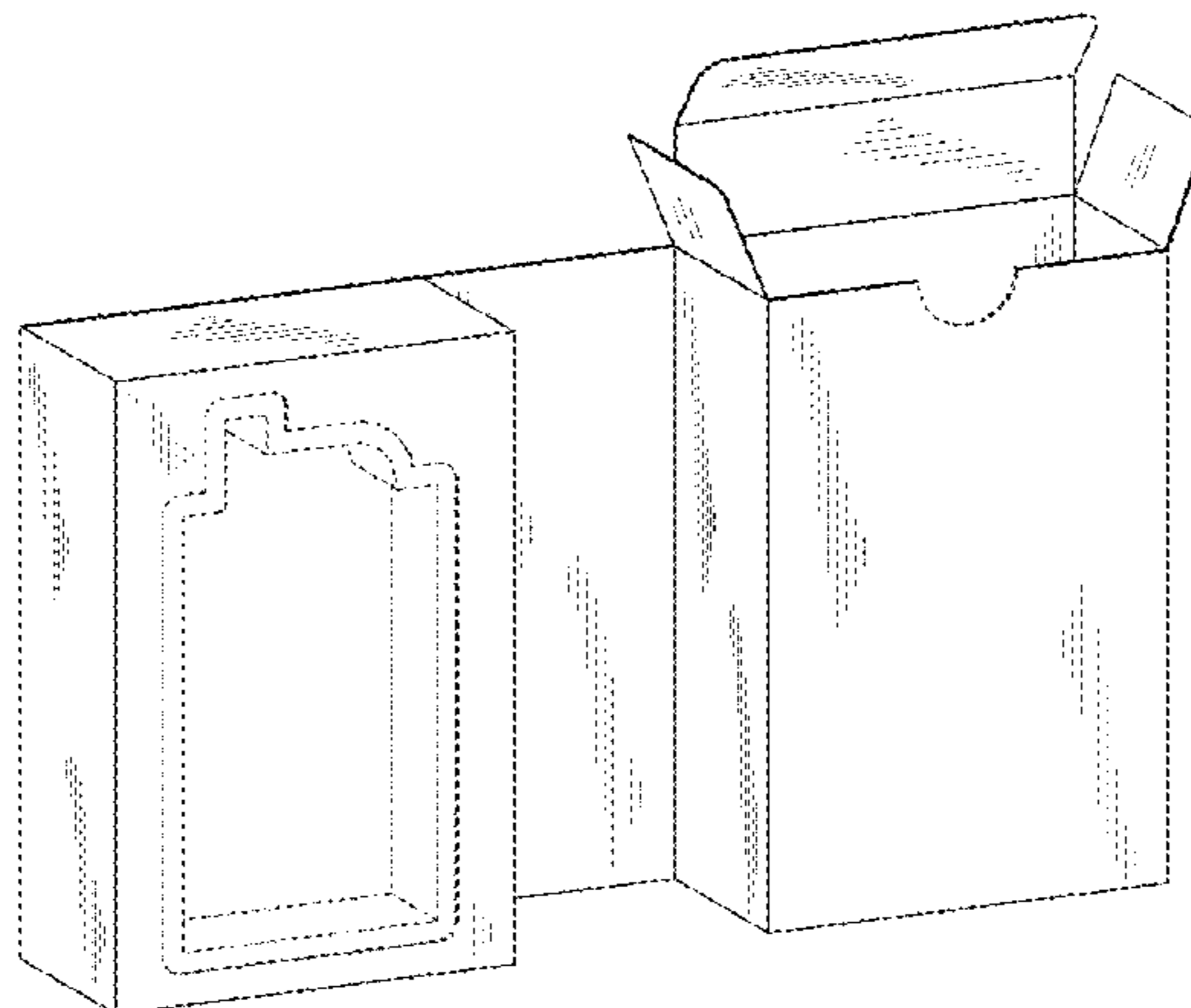
(56) **References Cited**

U.S. PATENT DOCUMENTS

D53,024 S 2/1919 Trop
2,162,094 A * 6/1939 Mahone B65D 5/0085
229/120.09
3,541,599 A 11/1970 Ramshaw
3,835,987 A 9/1974 Growney
4,361,227 A 11/1982 Paulucci
D305,302 S 1/1990 Beatrice et al.

(Continued)

1 Claim, 5 Drawing Sheets



(56)

References Cited

U.S. PATENT DOCUMENTS

D316,816	S	5/1991	Wiholm	
D337,940	S	8/1993	Aquino	
D493,715	S	8/2004	Izen et al.	
D510,861	S	10/2005	Burr et al.	
D511,093	S	11/2005	Keeton	
D517,911	S	3/2006	Alexander et al.	
D519,367	S	4/2006	Alexander	
D521,862	S	5/2006	Siehoff et al.	
D573,459	S	7/2008	Snider et al.	
D580,751	S	11/2008	Blick	
D590,249	S	4/2009	Yanchev	
D590,708	S	4/2009	Maguire et al.	
D591,898	S	5/2009	McKenzie et al.	
D593,409	S	6/2009	Blick	
7,540,377	B1	6/2009	Krisher	
D600,964	S	9/2009	Elias et al.	
D625,598	S	10/2010	Ruth	
D632,169	S	2/2011	Ruth	
D645,735	S	9/2011	Clark et al.	
D652,294	S	1/2012	Seneca et al.	
D665,665	S	8/2012	Seneca et al.	
D668,948	S	10/2012	LaTrobe	
D669,775	S	10/2012	Traldi	
D669,776	S	10/2012	Traldi	
D675,109	S	1/2013	Stahl et al.	
D683,241	S	5/2013	Ghini et al.	
D730,725	S *	6/2015	Sanfilippo	D9/416
9,089,166	B1	7/2015	Scatterday	
D745,388	S *	12/2015	Taylor	D9/418
D764,904	S	8/2016	Moseri	
D766,108	S	9/2016	Brown et al.	
D767,385	S	9/2016	McDonald et al.	
D784,805	S	4/2017	Perkins et al.	
D785,452	S	5/2017	Lee et al.	
D786,062	S	5/2017	Ogdon et al.	
D786,670	S	5/2017	Lin	
D789,153	S	6/2017	Bar	
D793,224	S	8/2017	Sagardoy et al.	
D812,472	S	3/2018	Sefton	
D812,477	S	3/2018	Sefton	
D813,672	S	3/2018	Doster	
D821,196	S	6/2018	Doster	
D831,480	S	10/2018	Arazi	
D832,097	S	10/2018	Lee	
D833,863	S	11/2018	Zeitlin et al.	
D834,937	S	12/2018	McKenzie et al.	
D850,905	S *	6/2019	Mitten	D9/420
D852,032	S *	6/2019	Horne	D9/415
2004/0163990	A1	8/2004	Begim	
2005/0247581	A1	11/2005	Begim	
2006/0110573	A1	5/2006	Peng et al.	
2006/0131207	A1	6/2006	Kari	
2008/0060957	A1	3/2008	Ford et al.	
2010/0139676	A1	6/2010	Yanko	
2011/0127320	A1	6/2011	Fraser	
2013/0327820	A1	12/2013	Clark et al.	
2017/0043928	A1	2/2017	Piao	

FOREIGN PATENT DOCUMENTS

CN	101284571	A	10/2008
CN	301416195	S	1/2010
CN	301416196	S	1/2010
CN	302216014	S	7/2012
CN	303428043	S	7/2015
CN	204548725	U	8/2015
CN	204642710	U	9/2015
CN	204822652	U	12/2015
DE	10361741	A1	7/2005
DE	102007018772	A1	11/2007
DE	202009007505	U1	10/2009
EM	000072186-0003		9/2003
EM	000072186-0004		9/2003
EM	000072186-0005		9/2003
EM	000072186-0006		9/2003

EM	000072186-0008		9/2003
EM	000292917-0001		2/2005
EM	000419551-0001		10/2005
EM	000588603-0001		9/2006
EM	000588603-0002		9/2006
EM	001040109-0002		11/2008
EM	001040109-0003		11/2008
EM	001040109-0004		11/2008
EM	001040109-0008		11/2008
EM	001040109-0009		11/2008
EM	001574104-0006		7/2009
EM	001222806-0001		6/2010
EM	001222806-0002		6/2010
EM	001222806-0003		6/2010
EM	001222806-0005		6/2010
EM	001818154-0001		2/2011
EM	001380422-0001		8/2013
EM	002455501-0001		4/2014
EM	002455501-0002		4/2014
EM	002455501-0003		4/2014
EM	001438360-0002		6/2015
EM	002966812-0005		2/2016
EP	1486425	A1	12/2004
FR	011542-002		7/2001
FR	2871143	A1	12/2005
IT	1321004	B1	12/2003
JP	S5066594	U	6/1975
JP	2003054641	A	2/2003
JP	2011073702	A	4/2011
RU	59530		2/2006
WO	WO 88/08602	A1	11/1988
WO	WO 1994/0002381	A1	2/1994
WO	WO 1999/0043573	A1	9/1999
WO	WO 2005/0105588	A1	11/2005
WO	WO 2006/0089771	A1	8/2006
WO	WO DM072080		7/2009
WO	WO 2009/0114654	A2	9/2009
WO	WO 2010/0014396	A1	2/2010
WO	WO 2012/0057961	A2	5/2012
WO	WO 2012/0058367	A2	5/2012
WO	WO 2012/0058413	A2	5/2012
WO	WO DM079851		6/2012
WO	WO 2015/0065943	A1	5/2015
WO	WO 2015/0088744	A1	6/2015
WO	WO 2016/0016868	A1	2/2016

OTHER PUBLICATIONS

Ru Application No. 1750021/21, Decision of Grant dated Oct. 19, 2017, 3 pages.

Application and File history for U.S. Appl. No. 29/642,394, filed Mar. 29, 2018. Inventors: McKenzie et al.

CN Application No. 201630536072.8, Notice of Issuance dated Jan. 9, 2017, 2 pages.

CN Application No. 201630537413.3, Notice of Issuance dated Feb. 23, 2017, 3 pages.

CN Application No. 201630537413.3, Office Action dated Dec. 7, 2016, 1 page.

RU Application No. 1650265/21, Decision of Grant dated Jul. 19, 2017.

RU Application No. 1650265/21, Office Action dated Dec. 27, 2016.

No 7 E Cigarette Review, [online] Published on Nov. 1, 2012. Retrieved Sep. 25, 2017 from URL: <http://newelectroniccigaretterevue.com/no-7-e-cigarette-review>, 6 pages.

Application and File history for U.S. Appl. No. 29/582,375, filed Oct. 27, 2016. Inventors: McKenzie et al.

International Search Report and Written Opinion for International Application No. PCT/GB2017/051202, dated Jul. 14, 2017, 10 pages.

Great Britain Search Report for Application No. GB1607580.6, dated Jul. 21, 2016, 5 pages.

International Preliminary Report on Patentability for International Application No. PCT/GB2017/051202, dated Nov. 8, 2018, 7 pages.

(56)

References Cited

OTHER PUBLICATIONS

U.S. Appl. No. 16/096,889, filed Oct. 26, 2018, Inventor(s): McKenzie
et al.

* cited by examiner

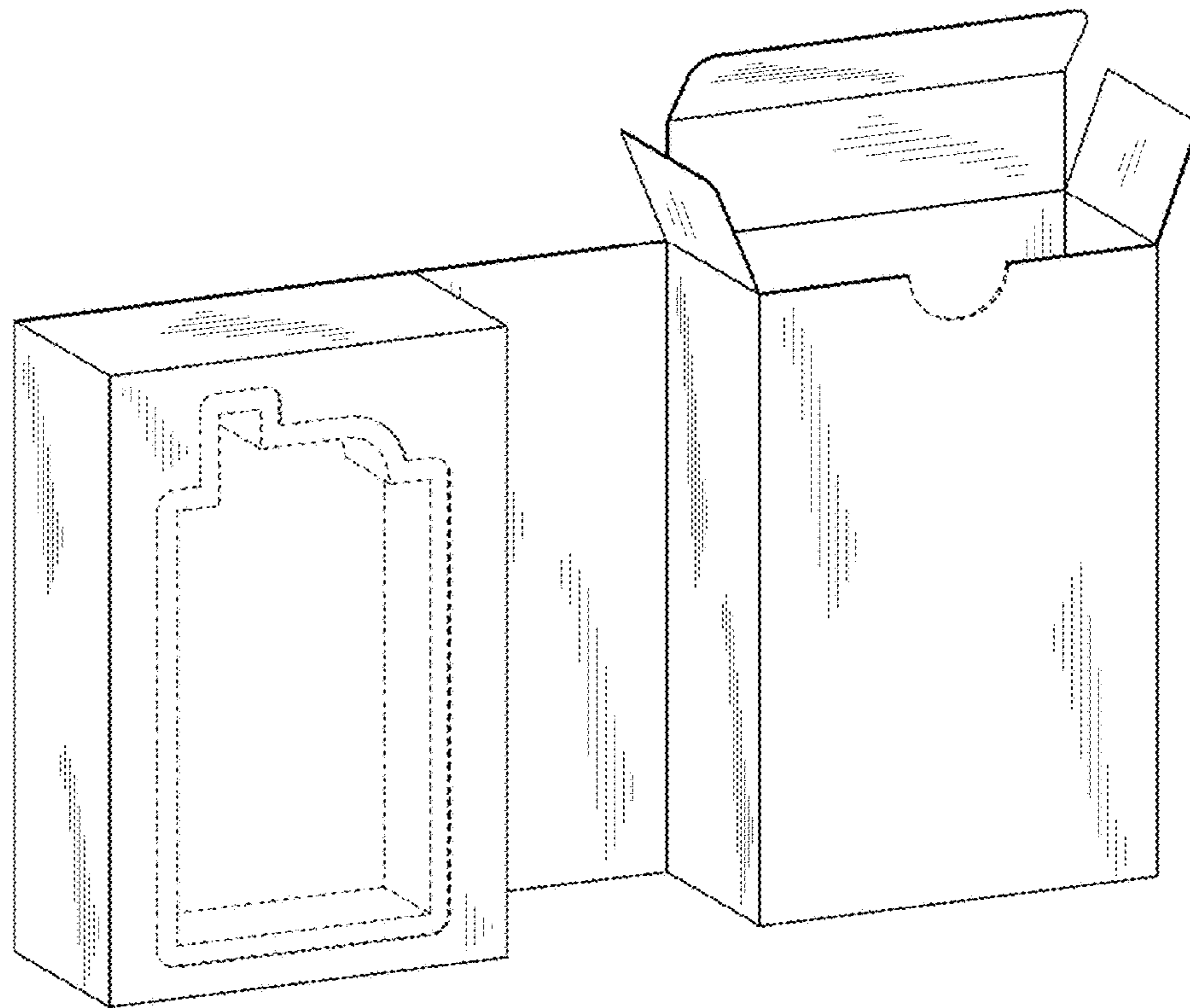


FIG. 1

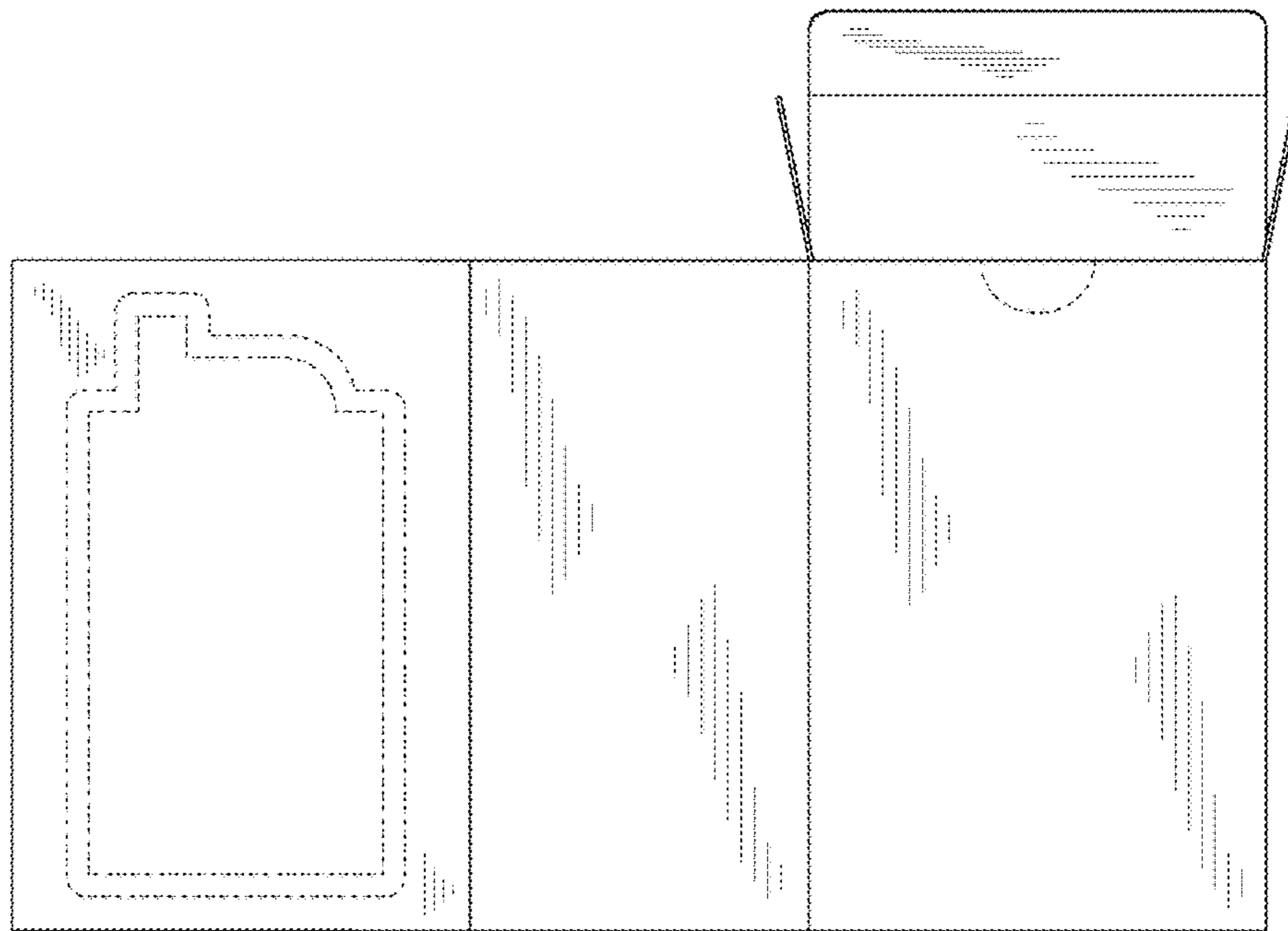


FIG. 2

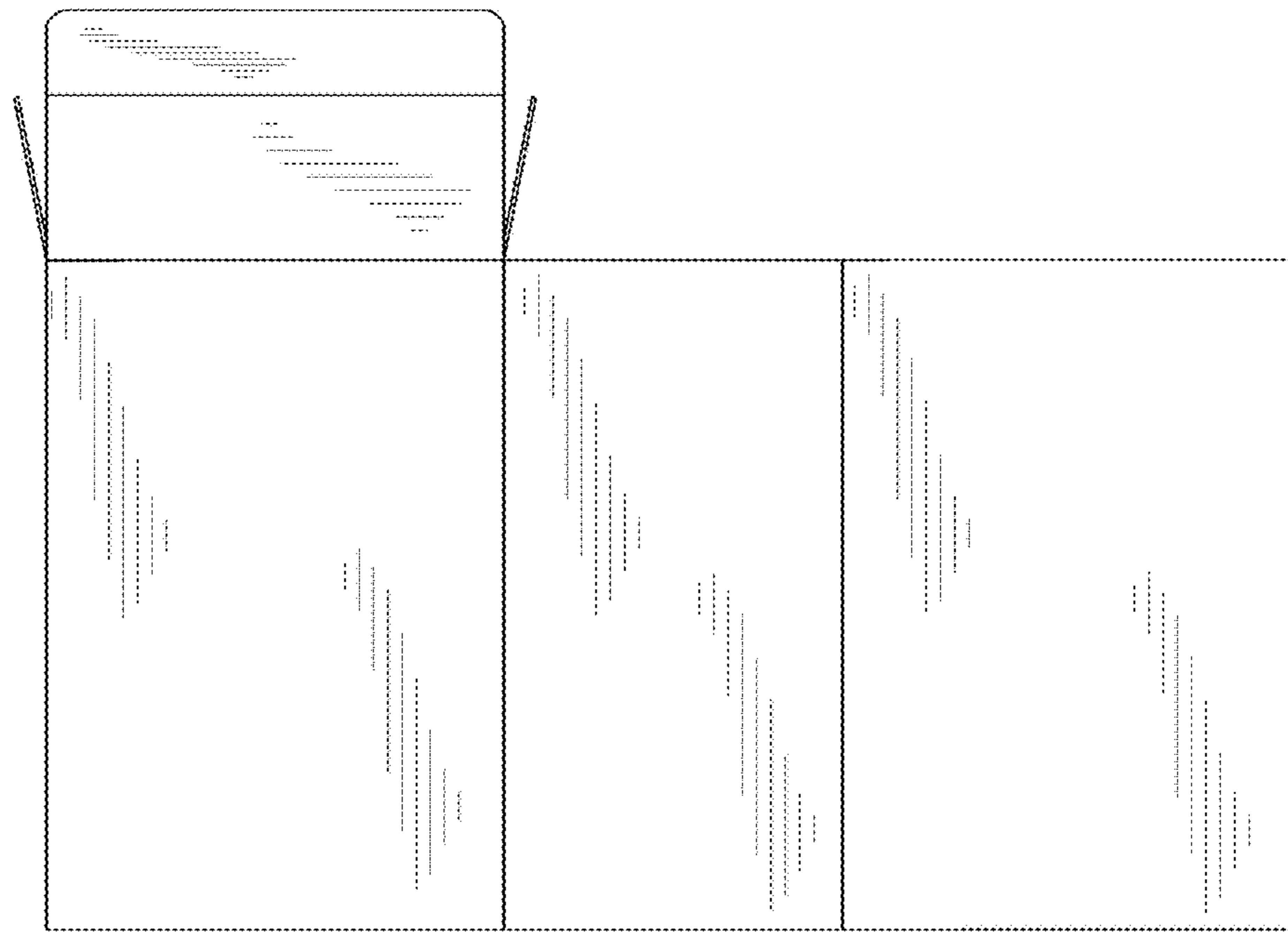


FIG. 3

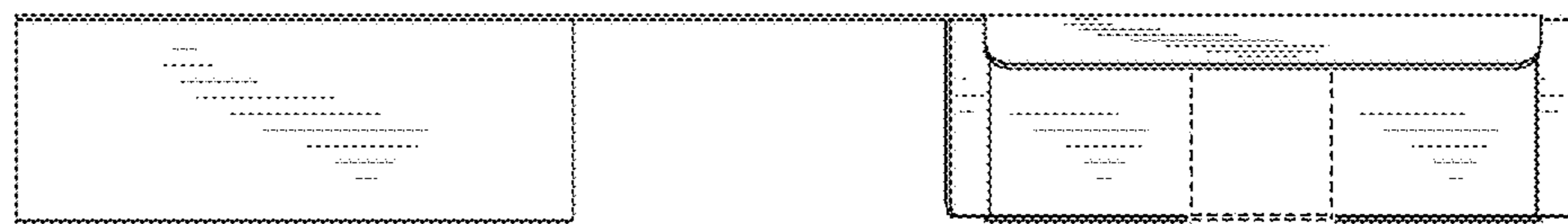


FIG. 4



FIG. 5

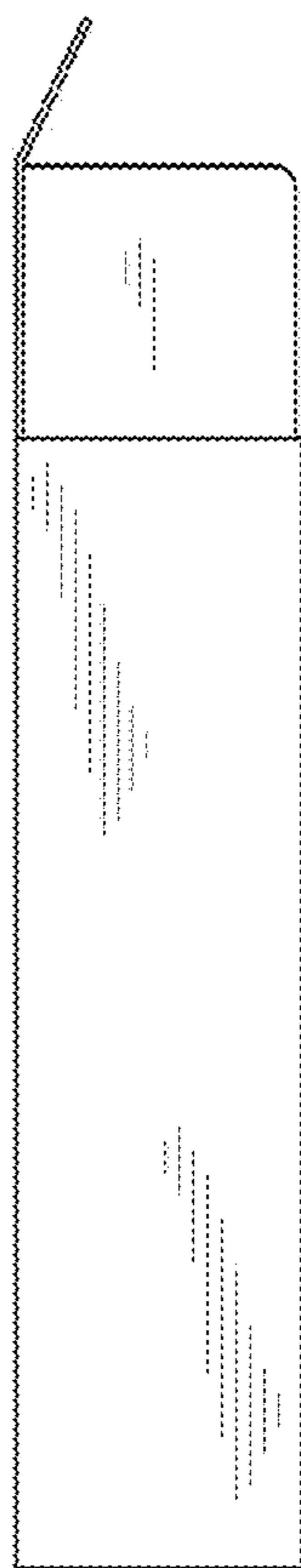


FIG. 6

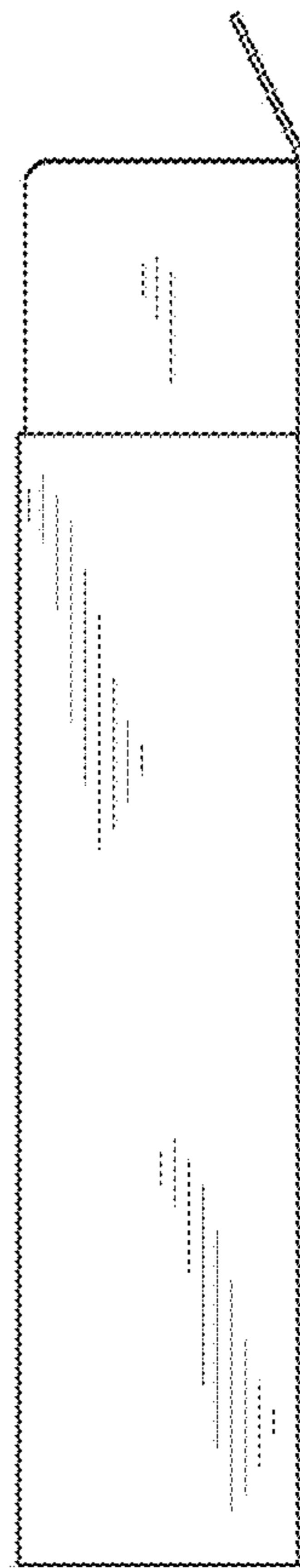


FIG. 7