



US00D865514S

(12) **United States Design Patent** (10) **Patent No.:** **US D865,514 S**
Pohlman (45) **Date of Patent:** **** Nov. 5, 2019**

(54) **CARTON WITH COLOR STRIPING**

(71) Applicant: **HUNTER FAN COMPANY**,
Memphis, TN (US)

(72) Inventor: **Jennifer Pohlman**, Cincinnati, OH
(US)

(73) Assignee: **Hunter Fan Company**, Memphis, TN
(US)

(**) Term: **15 Years**

(21) Appl. No.: **29/623,231**

(22) Filed: **Oct. 24, 2017**

Related U.S. Application Data

(62) Division of application No. 29/545,872, filed on Nov. 17, 2015, now Pat. No. Des. 808,799.

(51) **LOC (12) Cl.** **09-03**

(52) **U.S. Cl.**
USPC **D9/432**

(58) **Field of Classification Search**
USPC D9/430, 414, 432, 524, 516, 431, 707,
D9/708; D7/602
CPC B65D 1/00; B65D 5/4291; B65D 5/38;
A47F 5/11
See application file for complete search history.

(56) **References Cited**

U.S. PATENT DOCUMENTS

1,667,887 A	5/1928	Fallert	
D87,781 S *	9/1932	Hauck D9/432
1,913,649 A	6/1933	White	
2,718,348 A	9/1955	Montfort	
3,414,121 A	12/1968	Suzuki	
4,089,322 A	5/1978	Guibert	
4,166,531 A	9/1979	Fujiwara	
4,640,419 A	2/1987	Yang	

4,828,115 A	5/1989	Wiegand et al.
4,953,698 A	9/1990	Gregorich et al.
D323,618 S	2/1992	Arai et al.
5,373,894 A	12/1994	Tomatsuri
5,615,767 A	4/1997	Eull et al.
6,068,125 A	5/2000	Slaters, Jr. et al.
6,105,765 A	8/2000	Chu
6,293,183 B1	9/2001	Noda
6,296,121 B1	10/2001	Hershey
D479,463 S	9/2003	Humphrey
D480,637 S	10/2003	Humphrey
D481,311 S	10/2003	Humphrey
6,968,953 B2	11/2005	Humphrey

(Continued)

FOREIGN PATENT DOCUMENTS

CN	2132708 Y	5/1993
CN	3113716	8/1998

(Continued)

Primary Examiner — Cynthia R Underwood
(74) *Attorney, Agent, or Firm* — McGarry Bair PC

(57) **CLAIM**

The ornamental design for a carton with color striping, as shown and described.

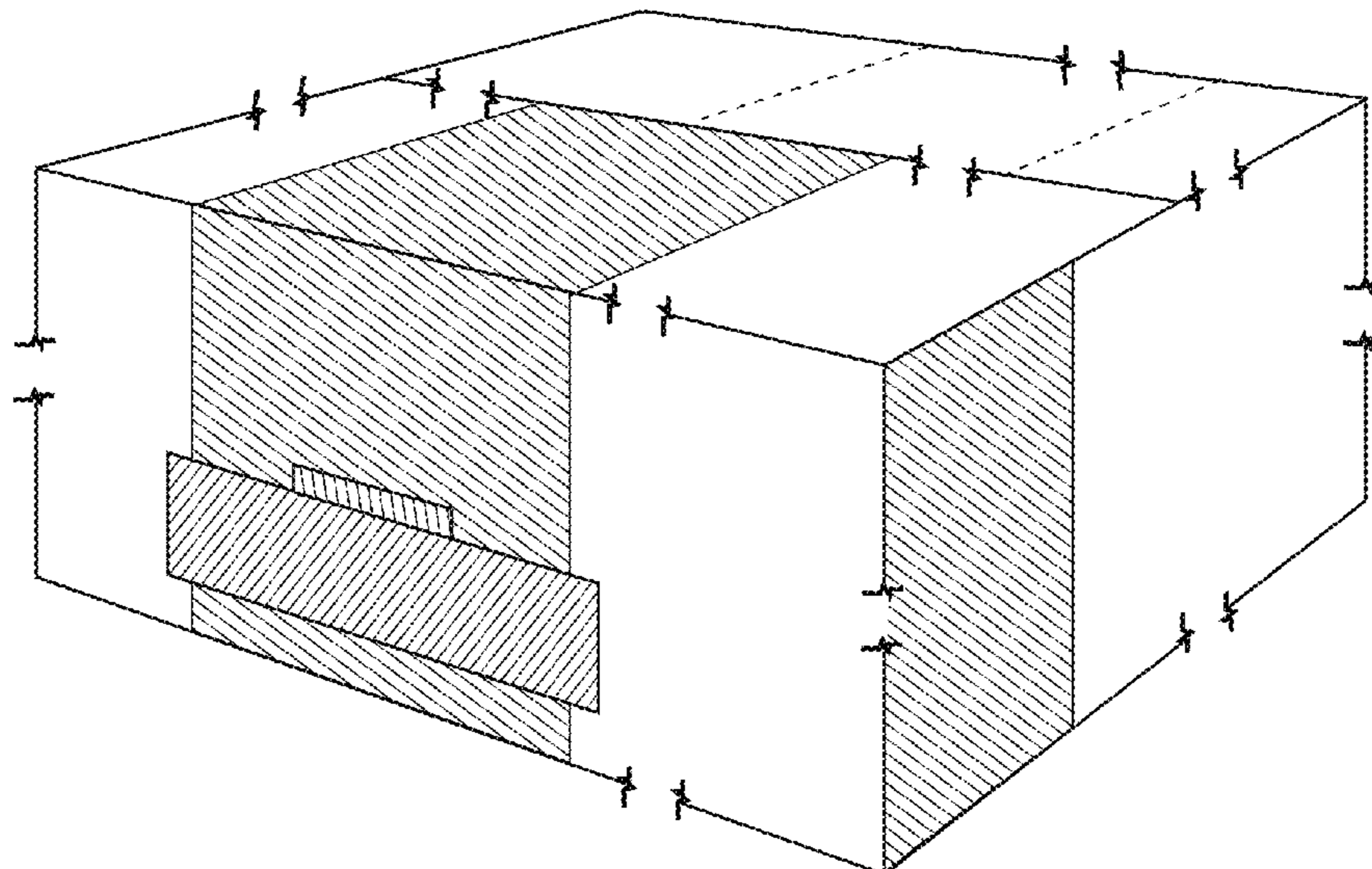
DESCRIPTION

FIG. 1 is a perspective view of the carton with color striping, the color striping indicated by the cross-hatching, with broken away symbols indicating that any portion of the article between the break lines forms no part of the claimed design;

FIG. 2 is a front view of the carton of FIG. 1; FIG. 3 is a top view of the carton of FIG. 1; and, FIG. 4 is a right side view of the carton of FIG. 1; and the rear view, bottom view, and left side view form no part of the claimed design.

Portions of the drawings shown in broken lines form no part of the claimed design.

1 Claim, 2 Drawing Sheets



(56)

References Cited

U.S. PATENT DOCUMENTS

7,614,992 B2 11/2009 Chandaria
 9,061,477 B2 6/2015 Chandaria
 D771,488 S 11/2016 McGarry et al.
 D781,701 S 3/2017 Brody et al.
 D782,299 S 3/2017 Brody et al.
 D796,314 S * 9/2017 Riffe D9/414
 D824,254 S * 7/2018 Post D9/432
 D829,094 S * 9/2018 Kang D9/432
 D831,478 S * 10/2018 Moon D9/432
 D846,385 S * 4/2019 Borkovetz D9/434
 D848,260 S * 5/2019 Joo D9/432
 D850,278 S * 6/2019 Lee D9/643
 2002/0029544 A1 3/2002 O'Connor et al.
 2002/0064625 A1 5/2002 Goers et al.
 2003/0216236 A1 11/2003 Harding et al.
 2010/0001056 A1 1/2010 Chandaria
 2011/0210024 A1 9/2011 Tanaka et al.
 2014/0312105 A1 10/2014 Swart et al.
 2016/0229581 A1 8/2016 Smith
 2017/0174389 A1 6/2017 Keefe, Jr.

FOREIGN PATENT DOCUMENTS

CN 3336730 11/2003
 CN 3408220 12/2004
 CN 3408221 12/2004
 CN 3416742 1/2005
 CN 2677330 Y 2/2005
 CN 3437000 4/2005
 CN 3491829 12/2005
 CN 3496712 1/2006
 CN 2873690 Y 2/2007
 CN 3675351 8/2007
 CN 300695612 10/2007
 CN 300698052 10/2007
 CN 300711985 11/2007
 CN 300711987 11/2007
 CN 101108687 A 1/2008
 CN 101205007 A 6/2008
 CN 300797547 7/2008
 CN 300915476 4/2009
 CN 300935190 6/2009
 CN 201276284 Y 7/2009
 CN 300990854 8/2009
 CN 201325678 Y 10/2009
 CN 201330030 Y 10/2009
 CN 201354219 Y 12/2009
 CN 201406114 Y 2/2010
 CN 101683917 A 3/2010
 CN 201597936 U 10/2010
 CN 201712942 U 1/2011
 CN 201808824 U 4/2011
 CN 202481580 U 10/2012
 CN 202717206 U 2/2013
 CN 202944723 U 5/2013
 CN 203211770 U 9/2013
 CN 203319024 U 12/2013
 CN 203473615 U 3/2014
 CN 203601805 U 5/2014
 CN 103935635 A 7/2014
 CN 203781096 U 8/2014
 CN 204021540 U 12/2014
 CN 204021585 U 12/2014
 CN 104261001 A 1/2015
 CN 204124592 U 1/2015
 JP 58011676 A 1/1983
 JP 59115790 1/1983
 JP 59126886 2/1983
 JP 58082870 A 5/1983
 JP 59178286 5/1983
 JP 59183885 5/1983
 JP 60002687 6/1983
 JP 60013389 7/1983
 JP 60018980 7/1983
 JP 60050182 9/1983

JP 60057582 9/1983
 JP 60062093 10/1983
 JP 60070579 10/1983
 JP 60076685 10/1983
 JP 58193284 A 11/1983
 JP 60078787 11/1983
 JP 60090185 11/1983
 JP 60136980 2/1984
 JP 60136982 2/1984
 JP 60139788 2/1984
 JP 60161090 3/1984
 JP 60161091 3/1984
 JP 60171887 4/1984
 JP 60177089 5/1984
 JP 61008581 6/1984
 JP 61008582 6/1984
 JP 59112788 U 7/1984
 JP 59129788 U 8/1984
 JP 61038081 8/1984
 JP 61043186 8/1984
 JP 61045388 8/1984
 JP 61113280 12/1984
 JP 61119982 1/1985
 JP 61129792 1/1985
 JP 61132290 2/1985
 JP 61147782 3/1985
 JP 61156681 3/1985
 JP 61232184 3/1985
 JP 61178387 4/1985
 JP 61196983 4/1985
 JP 60177088 U 11/1985
 JP 62101789 12/1985
 JP 62105180 12/1985
 JP 62105181 12/1985
 JP 62105182 12/1985
 JP 62105183 12/1985
 JP 62105185 12/1985
 JP 62105187 12/1985
 JP 62118088 1/1986
 JP 62118089 1/1986
 JP 62118091 1/1986
 JP 62127989 2/1986
 JP 62127990 2/1986
 JP 61110581 U 7/1986
 JP 61196982 U 12/1986
 JP 61205992 U 12/1986
 JP 62003490 U 1/1987
 JP 62022966 U 2/1987
 JP 6245290 U 3/1987
 JP 62064763 A 3/1987
 JP 62105184 U 7/1987
 JP 62105186 U 7/1987
 JP 62118087 U 7/1987
 JP 63055087 A 3/1988
 JP 63110188 A 5/1988
 JP 63040434 10/1988
 JP 1182237 A 7/1989
 JP 1122422 U 8/1989
 JP 1122423 U 8/1989
 JP 1122424 U 8/1989
 JP 1122425 U 8/1989
 JP 1126923 U 8/1989
 JP 1132566 U 9/1989
 JP 1141265 U 9/1989
 JP 1267173 A 10/1989
 JP 1177120 U 12/1989
 JP 2025474 U 2/1990
 JP 2032972 A 2/1990
 JP 02139370 A 5/1990
 JP 2139371 A 5/1990
 JP 02166064 A 6/1990
 JP 3016416 U 2/1991
 JP 0356270 A 3/1991
 JP 3098875 A 4/1991
 JP 3111270 A 5/1991
 JP 3111273 A 5/1991
 JP 3072667 U1 7/1991
 JP 3187884 A 8/1991
 JP 4010073 U 1/1992

(56)

References Cited

FOREIGN PATENT DOCUMENTS

JP	4068866	U	6/1992	JP	10316191	A	12/1998
JP	4089762	A1	8/1992	JP	1179165	A	3/1999
JP	4239470	A	8/1992	JP	11171251	A	6/1999
JP	5042971	A	2/1993	JP	11171285	A	6/1999
JP	0524578	U	3/1993	JP	11227866	A	8/1999
JP	5026872	U1	4/1993	JP	11263376	A	9/1999
JP	5085571	A	4/1993	JP	11292058	A	10/1999
JP	05132078	A	5/1993	JP	11292061	A	10/1999
JP	5132079	A	5/1993	JP	2000016461	A	1/2000
JP	5139465	A	6/1993	JP	2000025879	A	1/2000
JP	5147685	A	6/1993	JP	2000109166	A	4/2000
JP	5162774	A	6/1993	JP	2000313479	A	11/2000
JP	5061072	U	8/1993	JP	2001261088	A	9/2001
JP	5246481	A	9/1993	JP	2002002811	A	1/2002
JP	5077081	U	10/1993	JP	2002087488	A	3/2002
JP	5270567	A	10/1993	JP	2002096889	A	4/2002
JP	5338686	A	12/1993	JP	2002096890	A	4/2002
JP	6072896	U1	10/1994	JP	2002104516	A	4/2002
JP	6286786	A	10/1994	JP	2002104571	A	4/2002
JP	6286787	A	10/1994	JP	2002160792	A	6/2002
JP	6312767	A	11/1994	JP	2002337957	A	11/2002
JP	0687288	U	12/1994	JP	2003104481	A	4/2003
JP	7017569	A	1/1995	JP	2003104482	A	4/2003
JP	0741074	A	2/1995	JP	2003118770	A	4/2003
JP	7125789	A	5/1995	JP	2003137384	A	5/2003
JP	1172483	A	7/1995	JP	2003200989	A	7/2003
JP	7257648	A	10/1995	JP	2003300576	A	10/2003
JP	8011975	A	1/1996	JP	2004026167	A	1/2004
JP	8011976	A	1/1996	JP	2004035048	A	2/2004
JP	8058771	A	3/1996	JP	2005029190	A	2/2005
JP	8072804	A	3/1996	JP	2005096821	A	4/2005
JP	8074796	A	3/1996	JP	2005324800	A	11/2005
JP	8136006	A	5/1996	JP	2005343498	A	12/2005
JP	8198328	A	8/1996	JP	2006089096	A	4/2006
JP	8198371	A	8/1996	JP	2007001626	A	1/2007
JP	0948487	A	2/1997	JP	2007008525	A	1/2007
JP	0995383	A	4/1997	JP	2008285184	A	11/2008
JP	9142565	A	6/1997	JP	2010047311	A	3/2010
JP	9150831	A	6/1997	JP	2010202210	A	9/2010
JP	10045166	A	2/1998	JP	2010235155	A	10/2010
JP	1081389	A	3/1998	JP	2010260555	A	11/2010
JP	10077088	A	3/1998	JP	2012096842	A	5/2012
JP	10230990	A	9/1998	JP	2013159379	A	8/2013
JP	10236571	A	9/1998	JP	2013230850	A	11/2013
JP	10236572	A	9/1998	JP	2013231553	A	11/2013
JP	10250767	A	9/1998	JP	2013231554	A	11/2013
JP	10273169	A	10/1998	JP	2014001010	A	1/2014
				WO	2004103851	A1	12/2004

* cited by examiner

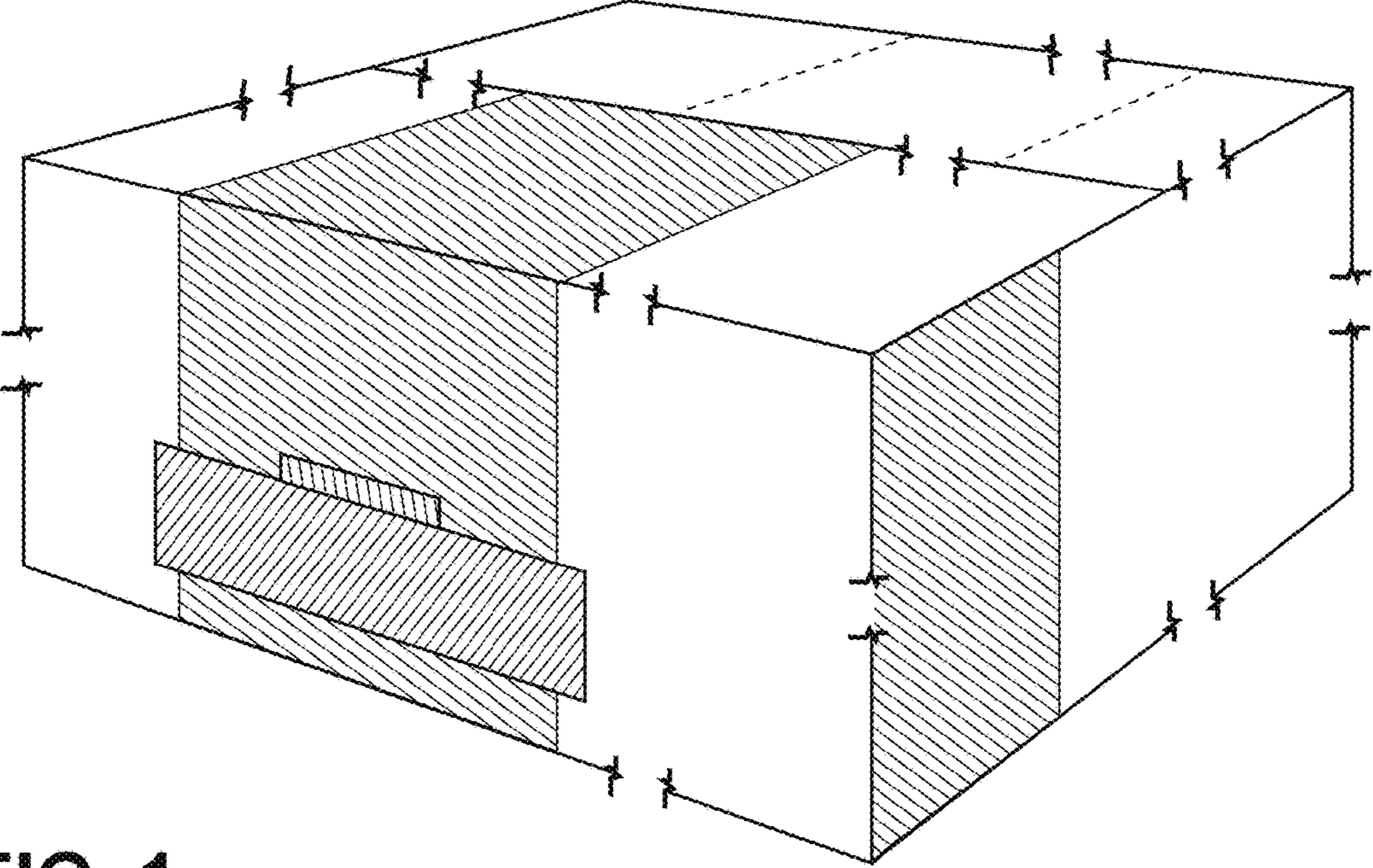


FIG. 1

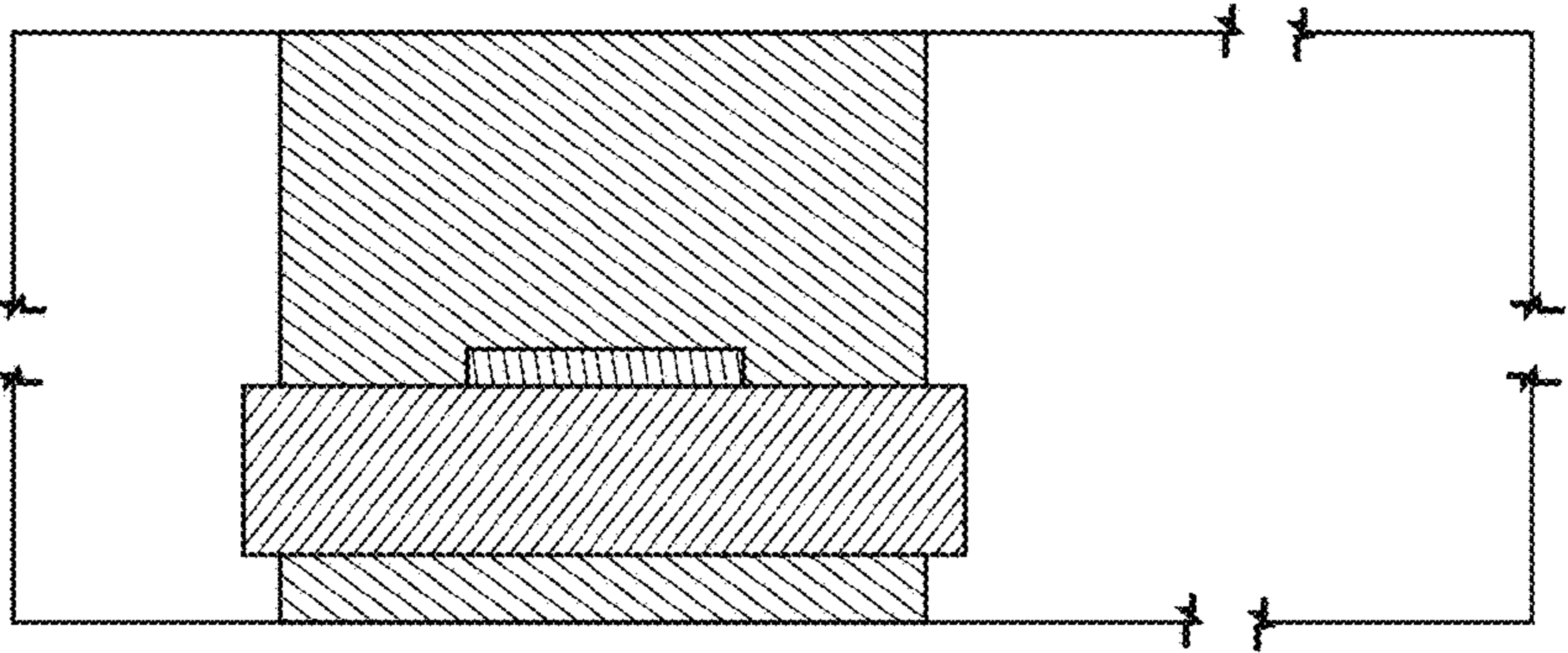


FIG. 2

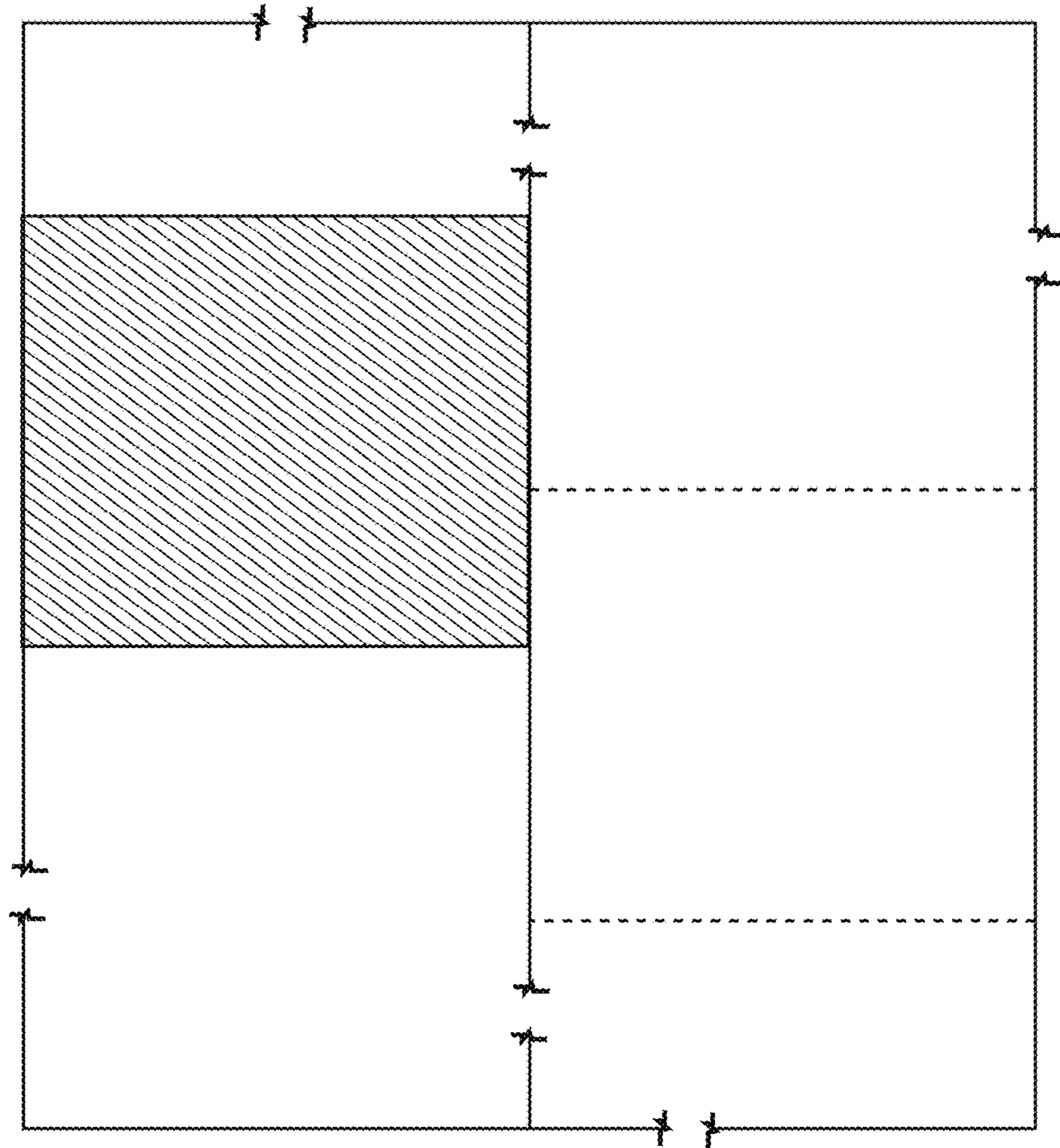


FIG. 3

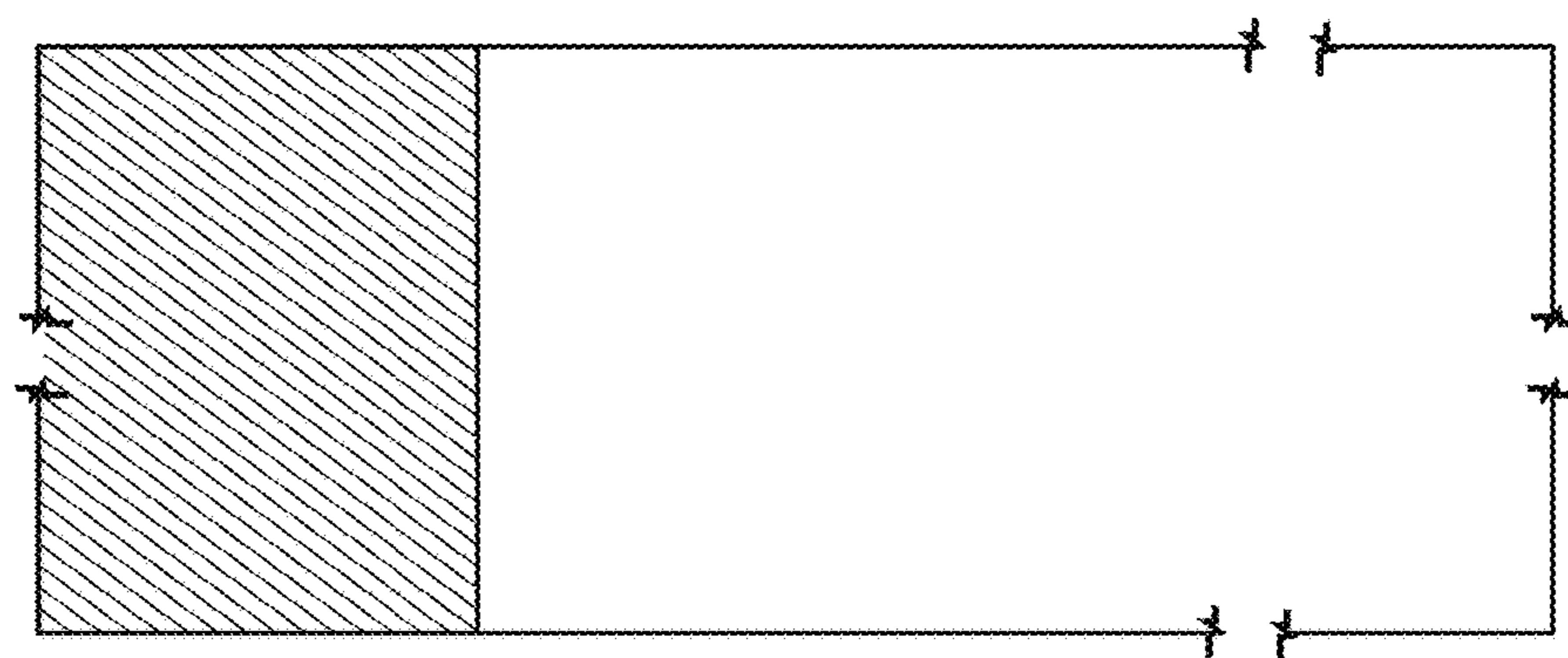


FIG. 4