



US00D865511S

(12) **United States Design Patent** (10) **Patent No.:** **US D865,511 S**  
**Giwani** (45) **Date of Patent:** **\*\* Nov. 5, 2019**

(54) **CELLULAR PHONE ACCESSORY PACKAGE**

(71) Applicant: **Warner Wireless Int'l Inc**, Dallas, TX (US)

(72) Inventor: **James Giwani**, Dallas, TX (US)

(73) Assignee: **Warner Wireless Int'l Inc**, Dallas, TX (US)

(\*\*) Term: **15 Years**

(21) Appl. No.: **29/650,266**

(22) Filed: **Jun. 5, 2018**

(51) **LOC (12) Cl.** ..... **09-03**

(52) **U.S. Cl.**  
USPC ..... **D9/418**

(58) **Field of Classification Search**  
USPC ..... D9/414, 415, 418, 423, 424, 431, 432, D9/457, 708, 715, 721, 734, 737; D14/204, 223; D3/201, 218, 226, 294, D3/295, 319; D8/356  
CPC ..... B65D 5/38; B65D 5/503; B65D 5/566; B65D 5/2033; B65D 5/4204; B65D 5/5028; B65D 5/5038; B65D 7/06; B65D 43/00; B65D 43/163; B65D 81/00; B65D 81/03; B65D 81/36; B65D 81/022; B65D 81/025; B65D 81/3453; B65D 2585/86; B65D 2585/684; B65D 2585/6835; B65D 2585/6842; B65D 1/22; B65H 75/48; B65H 75/4428; B65H 75/4431; H04R 1/02; H04R 1/10; H04R 1/1003  
See application file for complete search history.

(56) **References Cited**

U.S. PATENT DOCUMENTS

D281,033 S \* 10/1985 Mohri ..... D3/295  
4,942,617 A 7/1990 Boylan  
D397,865 S \* 9/1998 Lin ..... D3/218  
5,984,224 A \* 11/1999 Yang ..... B65H 75/4473  
242/400.1

D493,335 S \* 7/2004 Armato ..... D7/629  
D533,387 S \* 12/2006 Huang ..... D6/632  
D609,900 S 2/2010 Behar et al.  
D620,257 S \* 7/2010 Fujimura ..... D3/294  
D659,991 S \* 5/2012 Long, Jr. .... D3/201  
D669,774 S \* 10/2012 Yamaguchi ..... D9/418  
D672,660 S \* 12/2012 Vural ..... D9/721  
D685,771 S \* 7/2013 Bertenthal ..... D14/223

(Continued)

*Primary Examiner* — Wan Laymon

*Assistant Examiner* — Clint A Samuel

(74) *Attorney, Agent, or Firm* — Scott T. Griggs; Griggs Bergen LLP

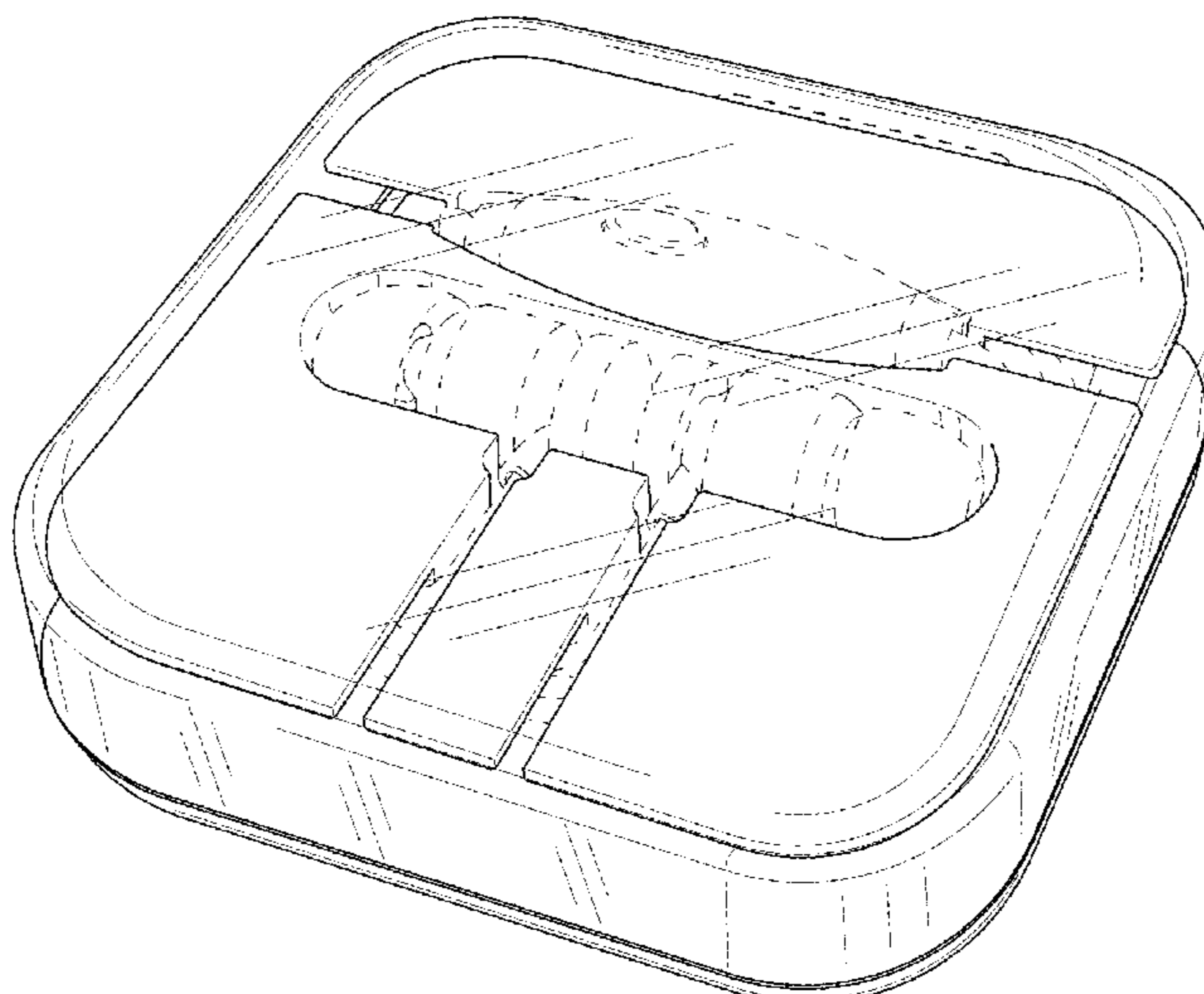
(57) **CLAIM**

The ornamental design for a cellular phone accessory package, as shown and described.

**DESCRIPTION**

FIG. 1 is a front perspective view of a cellular phone accessory package;  
FIG. 2 is an additional front perspective view of the cellular phone accessory package shown in FIG. 1;  
FIG. 3 is a top plan view of the cellular phone accessory package, with the transparent top shown in FIG. 1 removed for ease of illustration;  
FIG. 4 is a front elevation view of the cellular phone accessory, with the transparent top shown in FIG. 1 removed for ease of illustration;  
FIG. 5 is a left side elevation view of the cellular phone accessory, with the transparent top shown in FIG. 1 removed for ease of illustration, which includes left-right symmetry; and,  
FIG. 6 is a rear elevation view of the cellular phone accessory package, with the transparent top shown in FIG. 1 removed for ease of illustration.  
The dashed and dotted lines shown are provided for environmental purposes only and form no part of the claimed design.

**1 Claim, 3 Drawing Sheets**





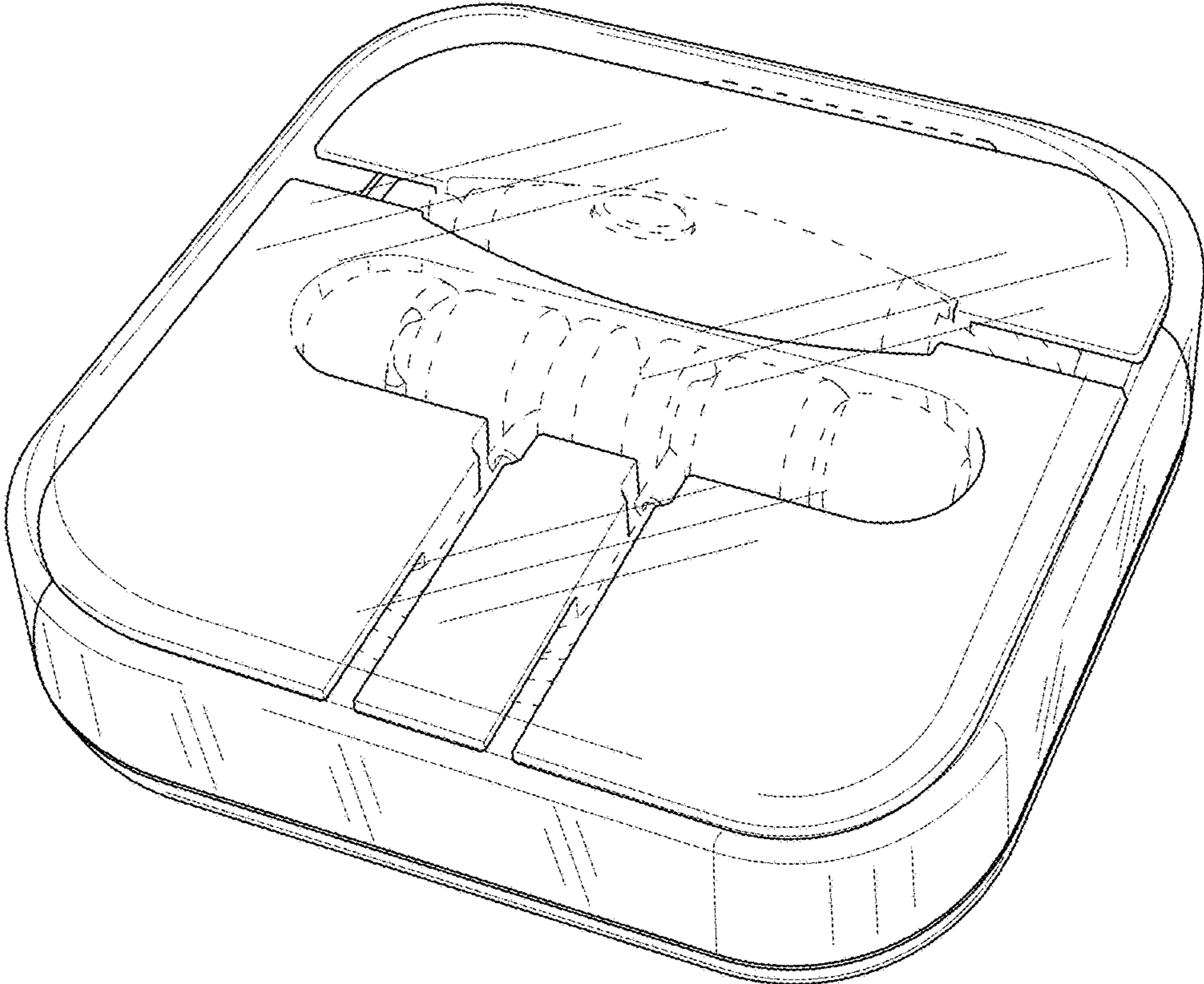


FIG. 1

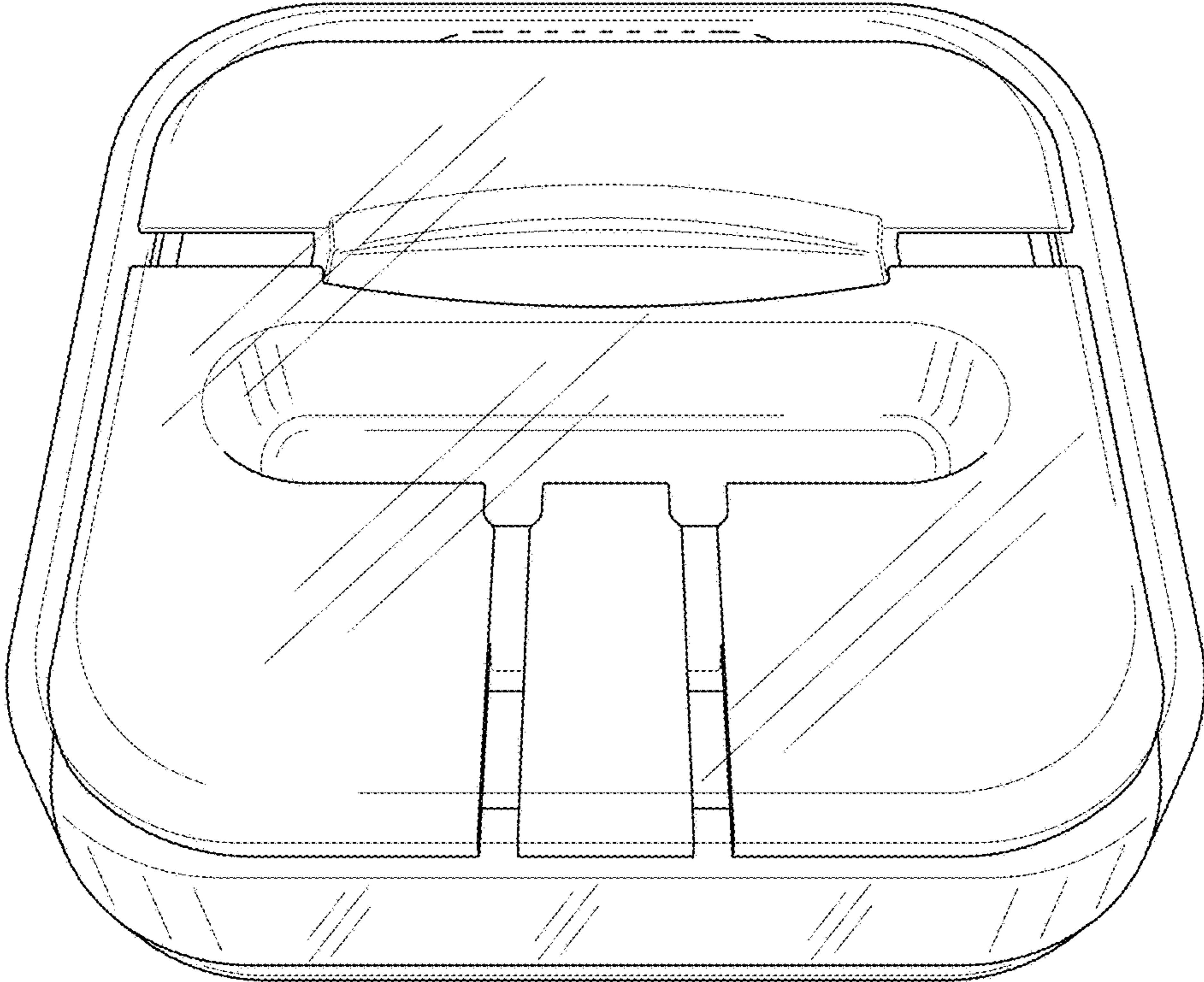


FIG. 2



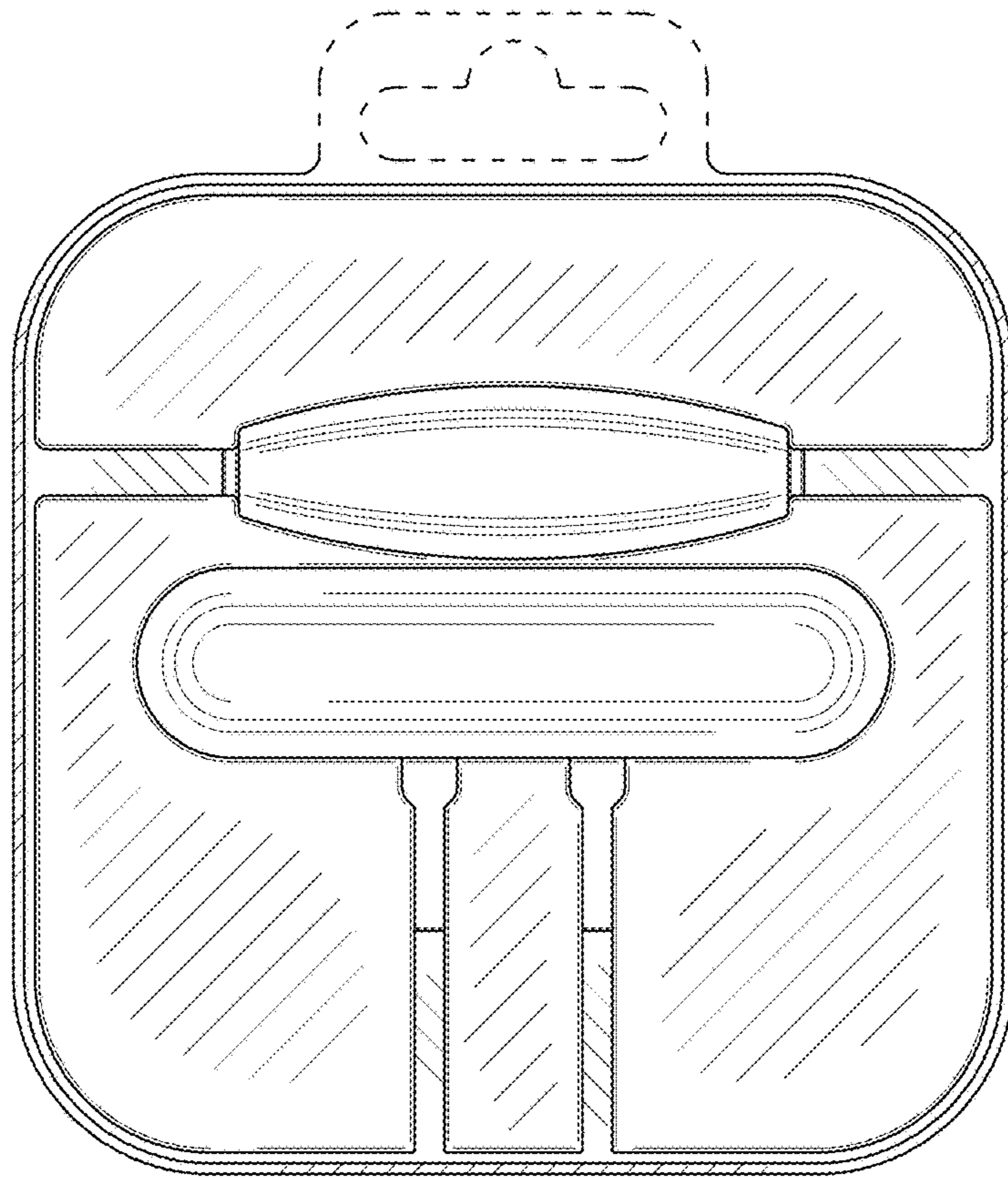


FIG. 3

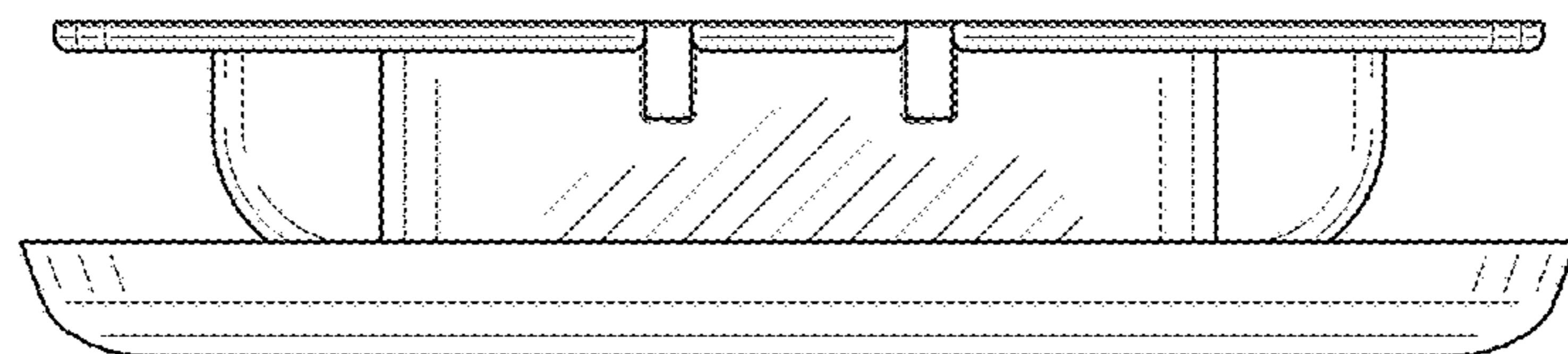


FIG. 4

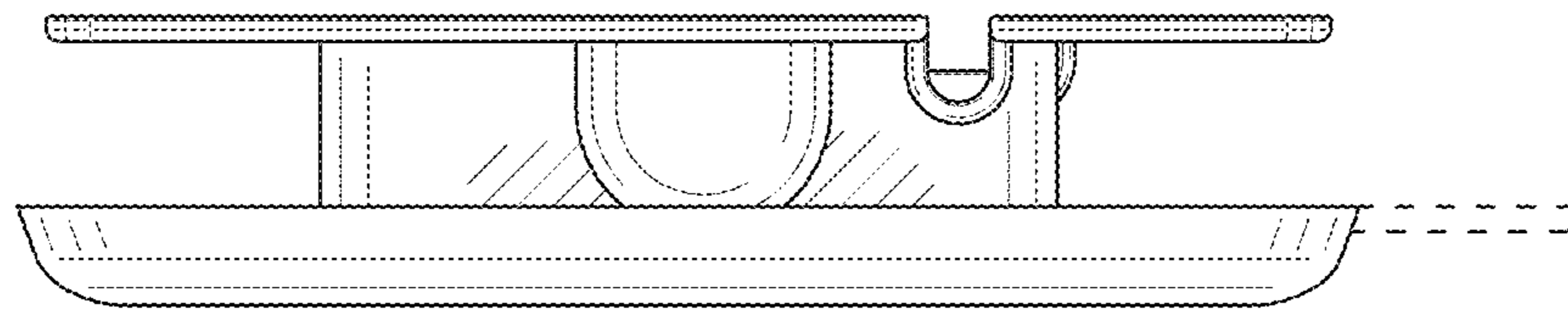


FIG. 5

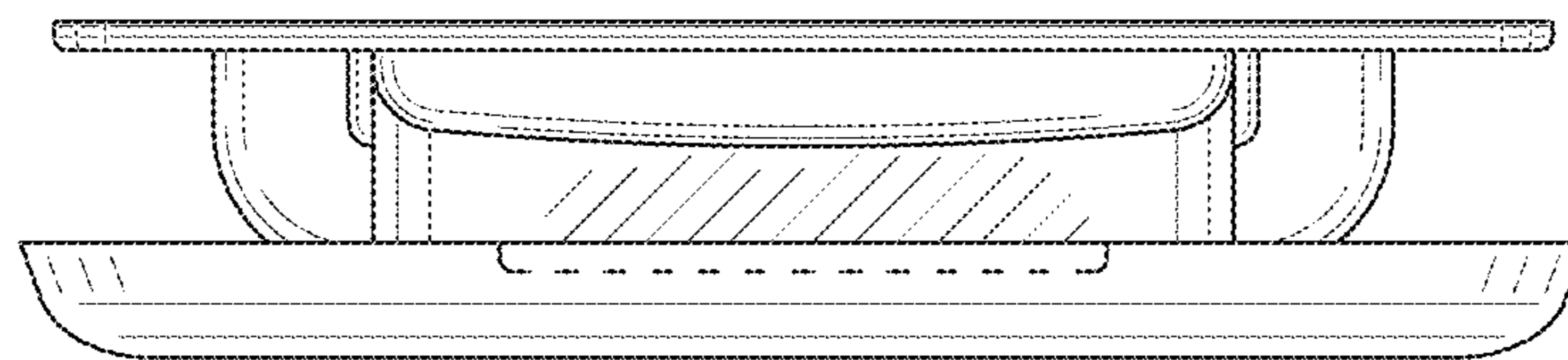


FIG. 6