



US00D865509S

(12) **United States Design Patent** (10) **Patent No.:** **US D865,509 S**
Stewart (45) **Date of Patent:** **** Nov. 5, 2019**

(54) **FURNITURE PROTECTING SCRATCHING DEVICE**

(71) Applicant: **Charles O. Stewart**, Lakeside, AZ (US)

(72) Inventor: **Charles O. Stewart**, Lakeside, AZ (US)

(**) Term: **15 Years**

(21) Appl. No.: **29/694,605**

(22) Filed: **Jun. 12, 2019**

Related U.S. Application Data

(63) Continuation-in-part of application No. 16/372,748, filed on Apr. 2, 2019.

(51) **LOC (12) Cl.** **08-09**

(52) **U.S. Cl.**
USPC **D8/403**

(58) **Field of Classification Search**
USPC D6/610, 616, 648, 641, 675, 691, 692.6, D6/699.4, 702, 703, 707, 707.26, 707.24, D6/708, 708.21; D8/374, 403
CPC .. E05F 5/06; E05Y 2900/531; E05Y 2201/21; E05C 17/203; E05C 17/36
See application file for complete search history.

(56) **References Cited**

U.S. PATENT DOCUMENTS

2,005,817 A	6/1935	Yoder	
D253,506 S *	11/1979	Vigue	D8/403
4,177,763 A	12/1979	Cook	
D271,070 S *	10/1983	Durkee	D8/403
4,877,673 A	10/1989	Eckel et al.	
D318,389 S *	7/1991	Hawkinson	D6/709
D336,033 S	6/1993	Welsh	
5,592,901 A	1/1997	Birmingham	
5,619,953 A	4/1997	Griffin	

6,263,630 B1	7/2001	Bennett	
6,343,569 B1	2/2002	Buendiger	
6,360,692 B2	3/2002	Gear	
6,367,423 B1	4/2002	Scheuer	
D462,259 S *	9/2002	Williams	D8/403
6,715,447 B2	4/2004	Haber	
7,171,922 B2	2/2007	Lipscomb et al.	

(Continued)

Primary Examiner — Keli L Hill

Assistant Examiner — Harold E Blackwell, II

(74) *Attorney, Agent, or Firm* — Global Intellectual Property Agency, LLC; Daniel Boudwin

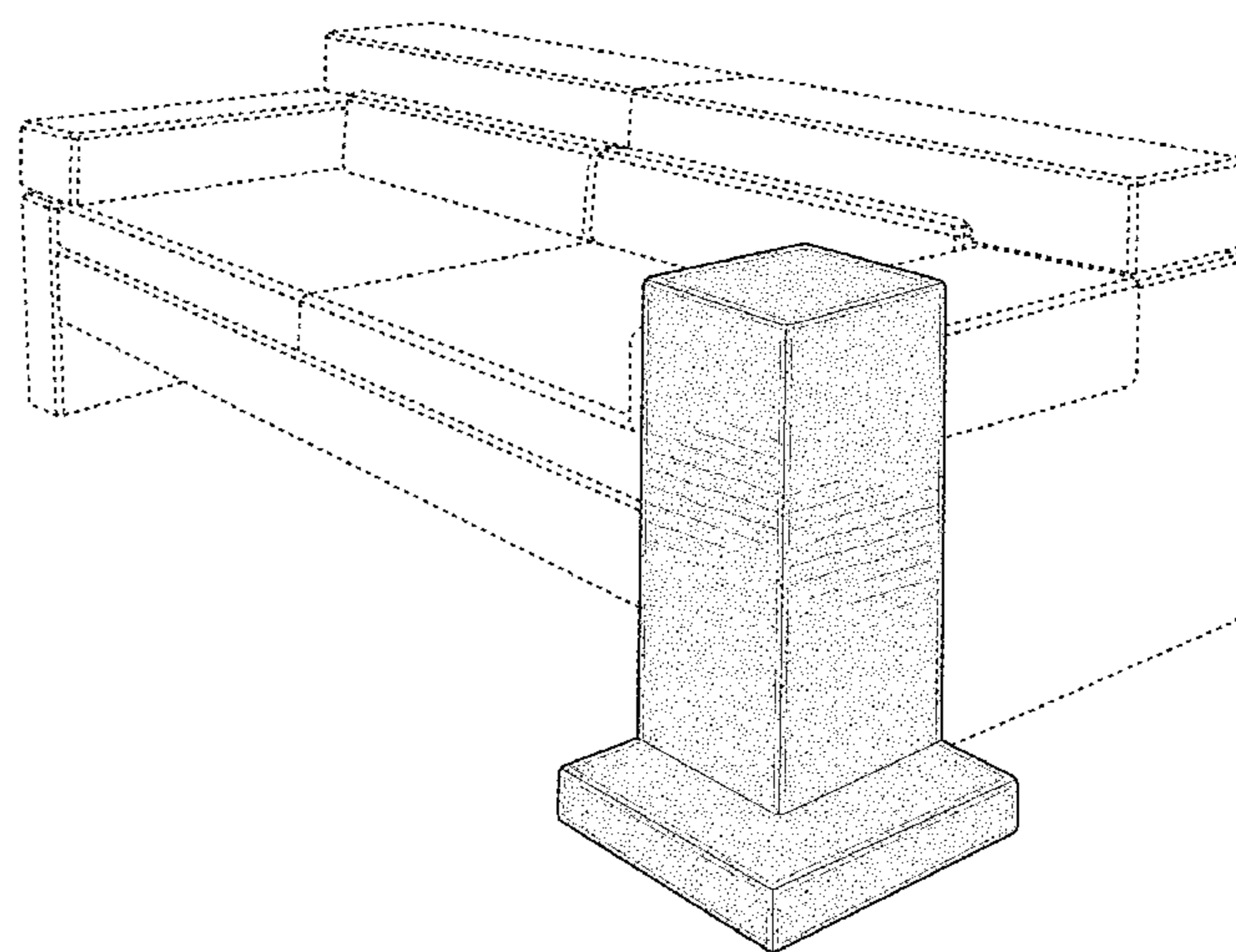
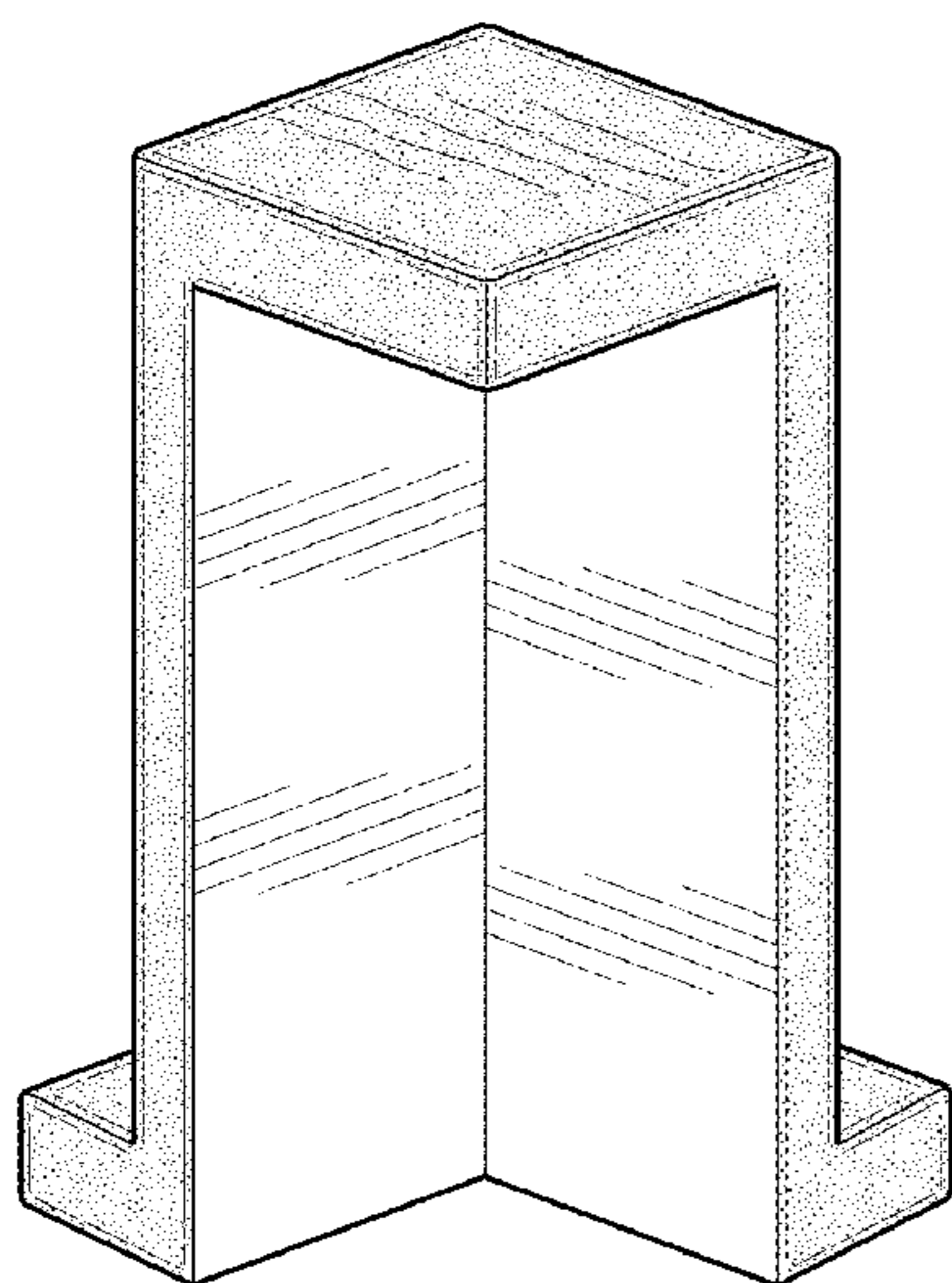
(57) **CLAIM**

The ornamental design for a furniture protecting scratching device, as shown and described.

DESCRIPTION

FIG. 1 shows a perspective view of a furniture protecting scratching device;
 FIG. 2 shows a top view of the furniture protecting scratching device;
 FIG. 3 shows a bottom view of the furniture protecting scratching device;
 FIG. 4 shows a right-side view of the furniture protecting scratching device;
 FIG. 5 shows a back view of the furniture protecting scratching device;
 FIG. 6 shows a front view of the furniture protecting scratching device;
 FIG. 7 shows a left-side plan of the furniture protecting scratching device; and,
 FIG. 8 shows a perspective view of a furniture protecting scratching device, in use.
 The shade lines in the Figures show contour and not surface ornamentation.
 The broken lines shown in the Figures show environmental features which form no part of the claimed design.

1 Claim, 5 Drawing Sheets



(56)

References Cited

U.S. PATENT DOCUMENTS

7,207,293	B2 *	4/2007	Deming, Jr.	A01K 15/024
				119/706
D852,614	S *	7/2019	Schloss	D8/403
2004/0155514	A1	8/2004	Talley	
2005/0039695	A1	2/2005	Deming	
2005/0055914	A1 *	3/2005	Gilstrap	E04B 1/66
				52/272
2011/0290198	A1	12/2011	Pemberton	
2012/0291718	A1	11/2012	Williams	
2013/0298379	A1	11/2013	Hansen et al.	
2014/0033985	A1	2/2014	Santiago	
2014/0251230	A1	9/2014	Go	

* cited by examiner

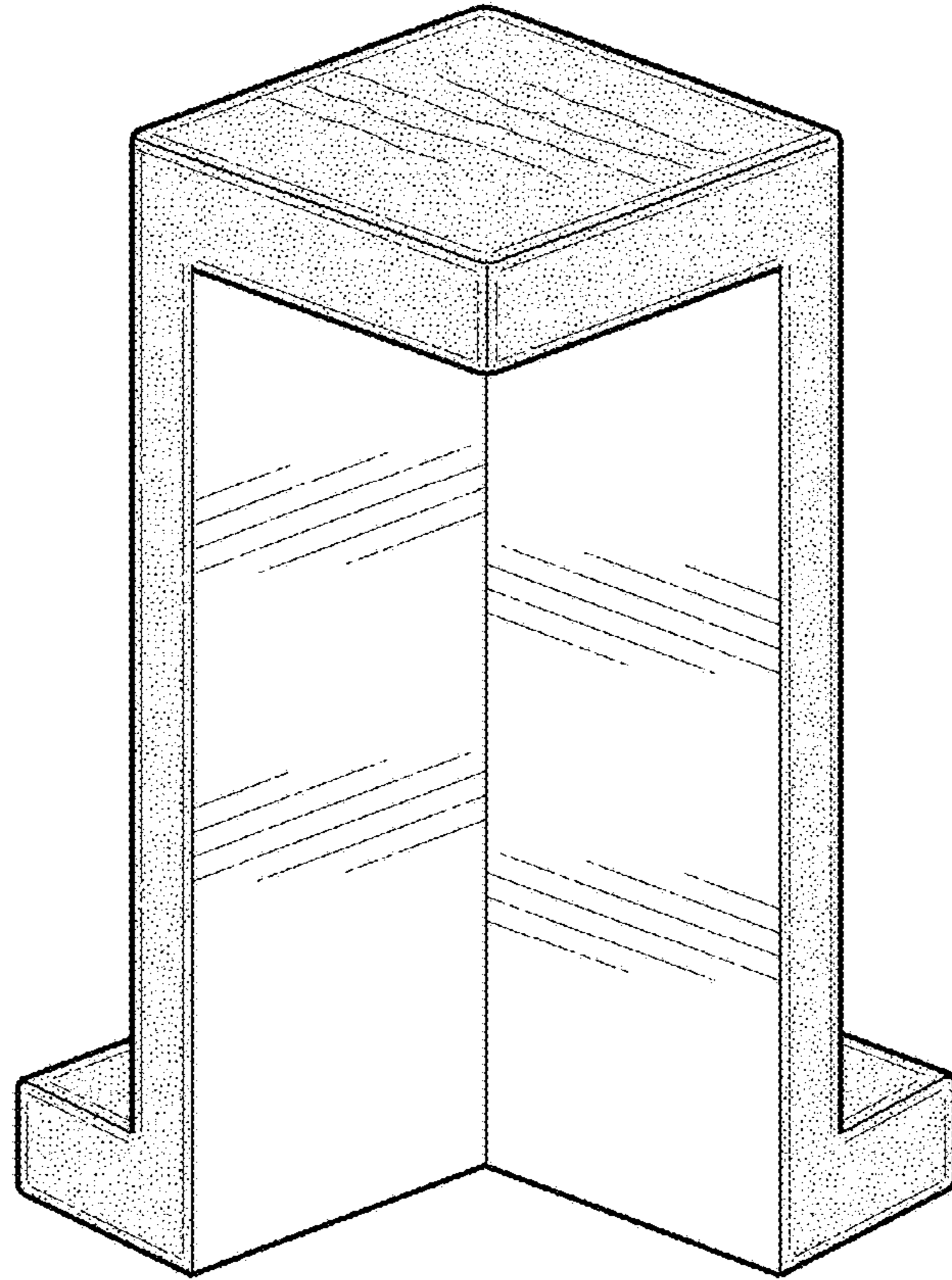


FIG. 1

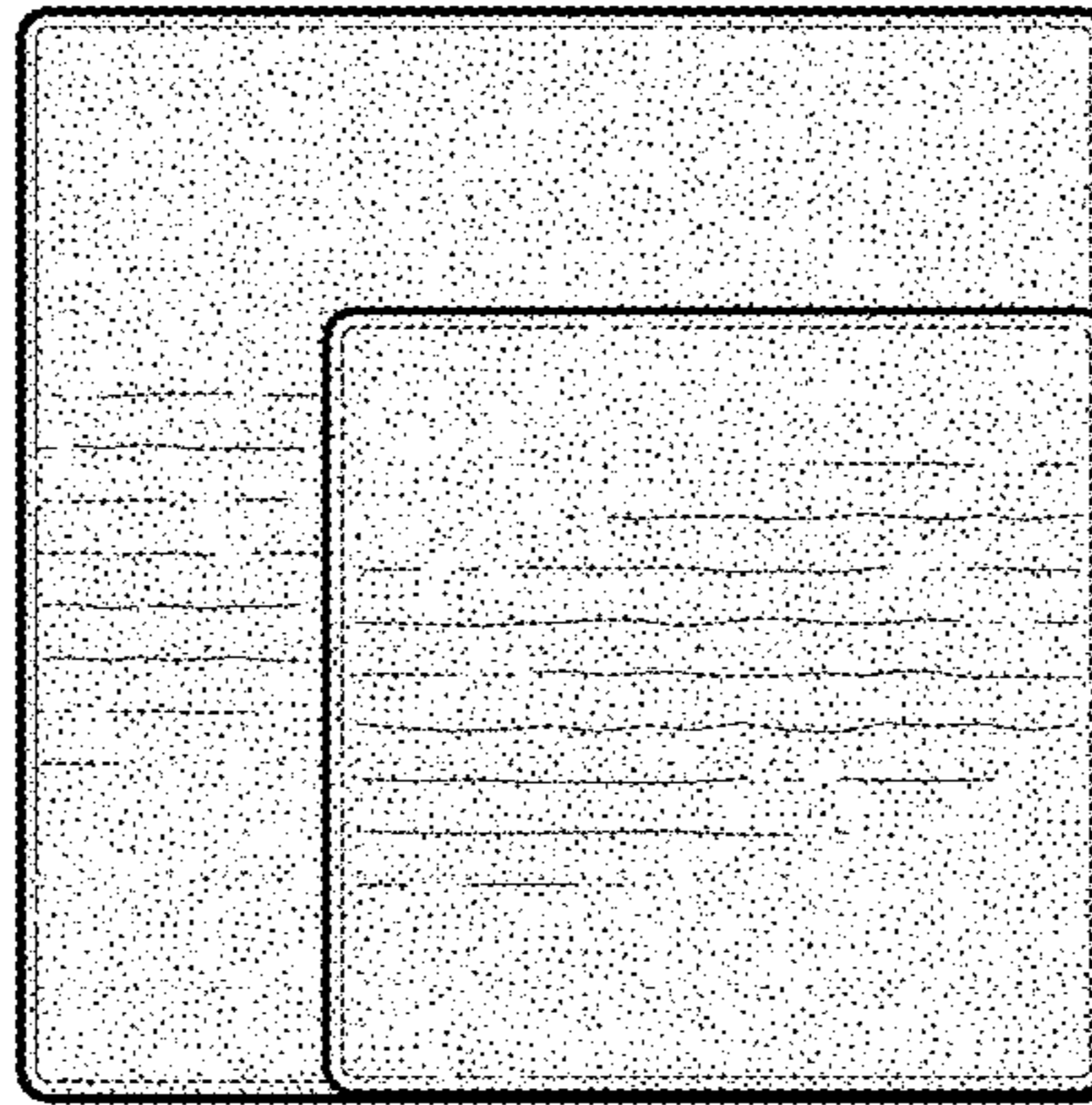


FIG. 2

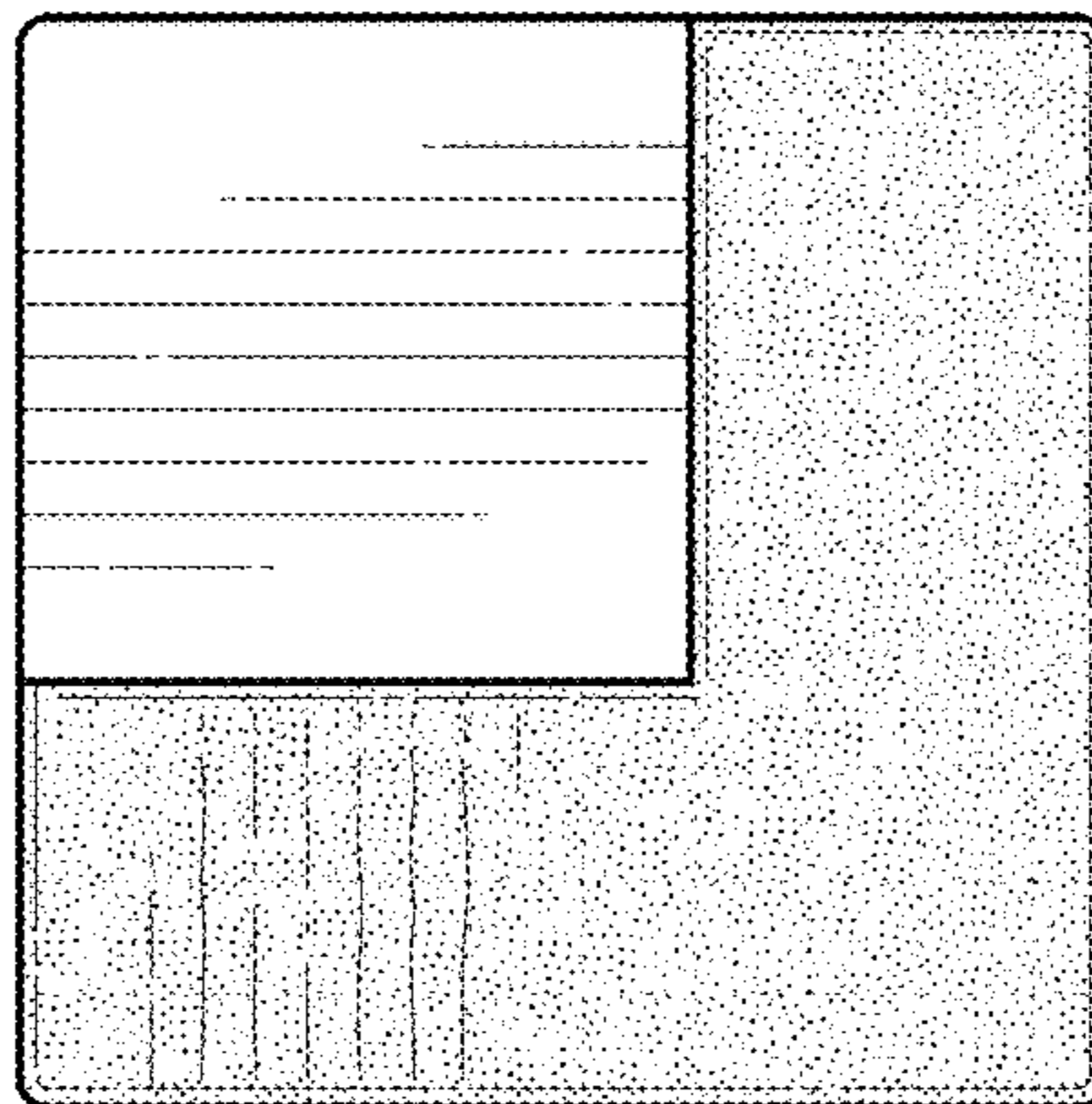


FIG. 3

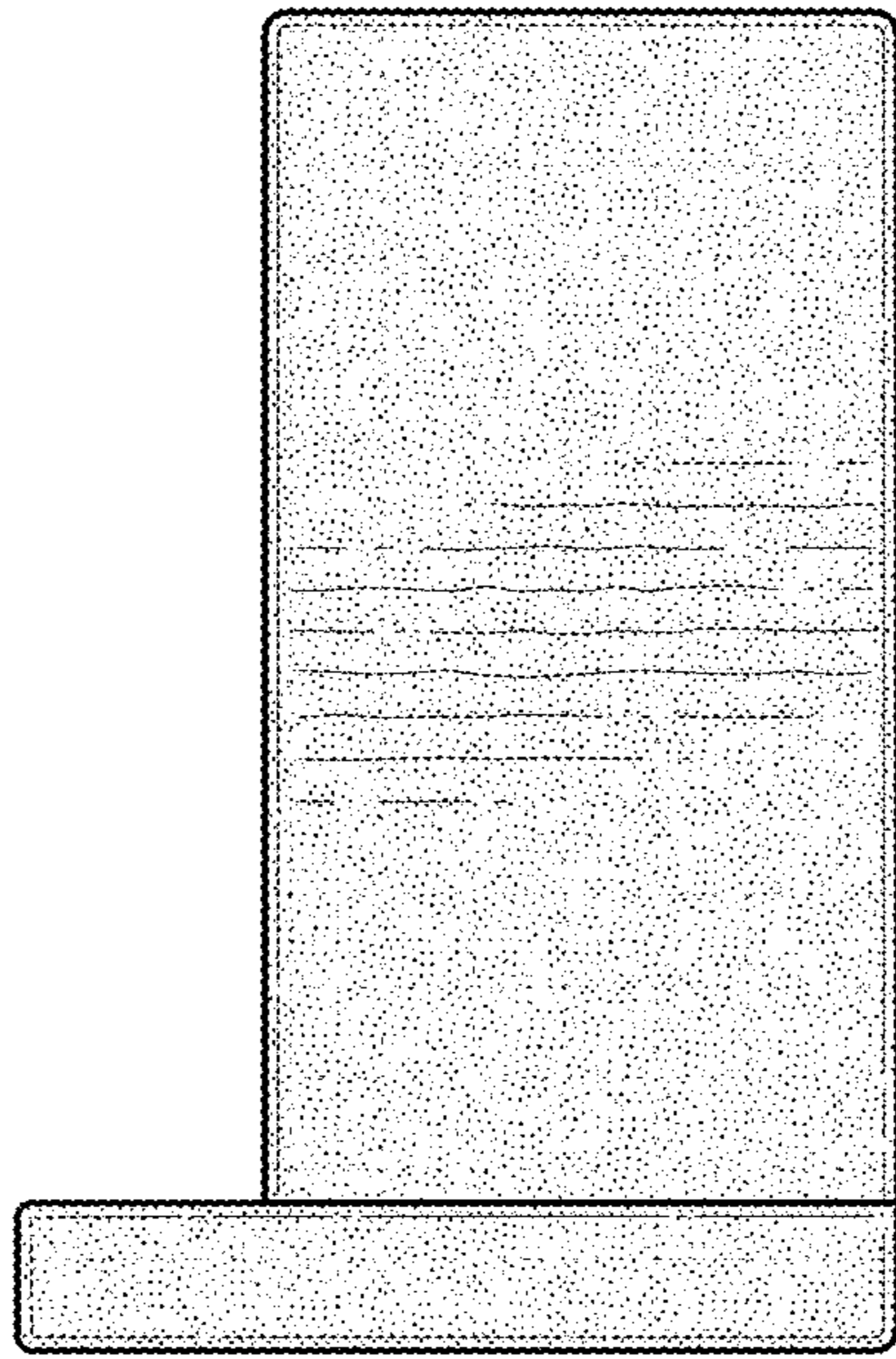


FIG. 4

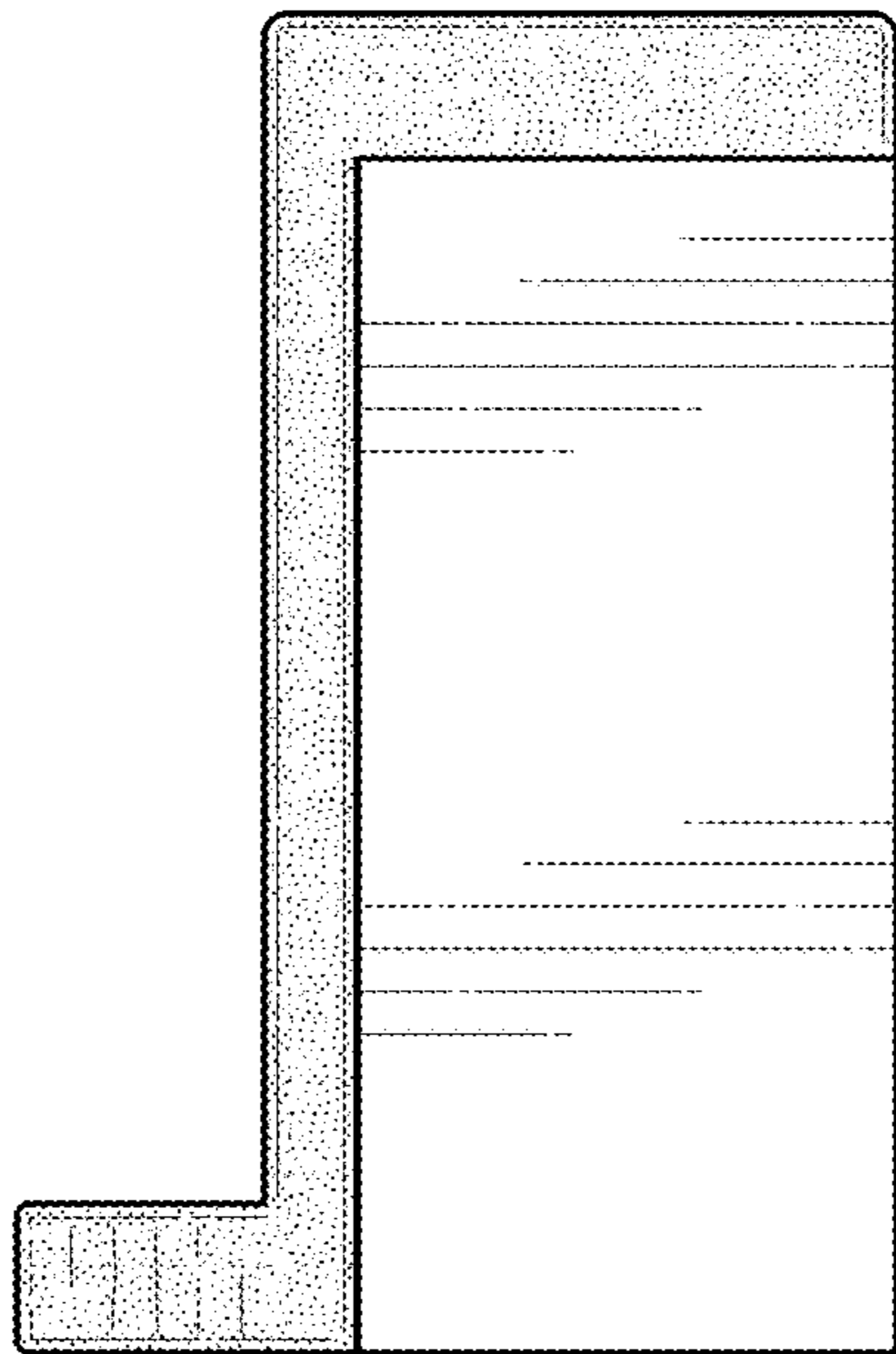


FIG. 5

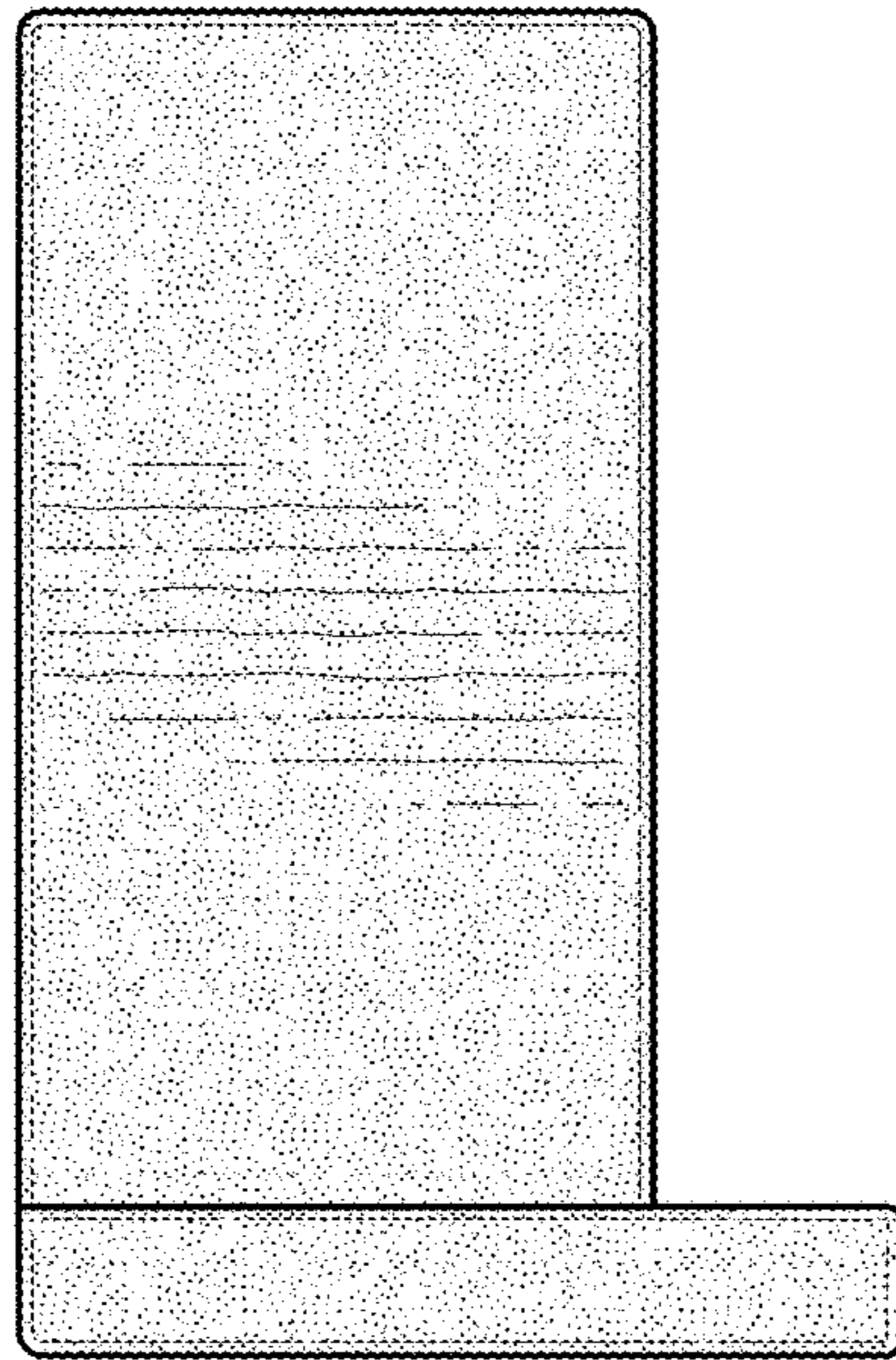


FIG. 6

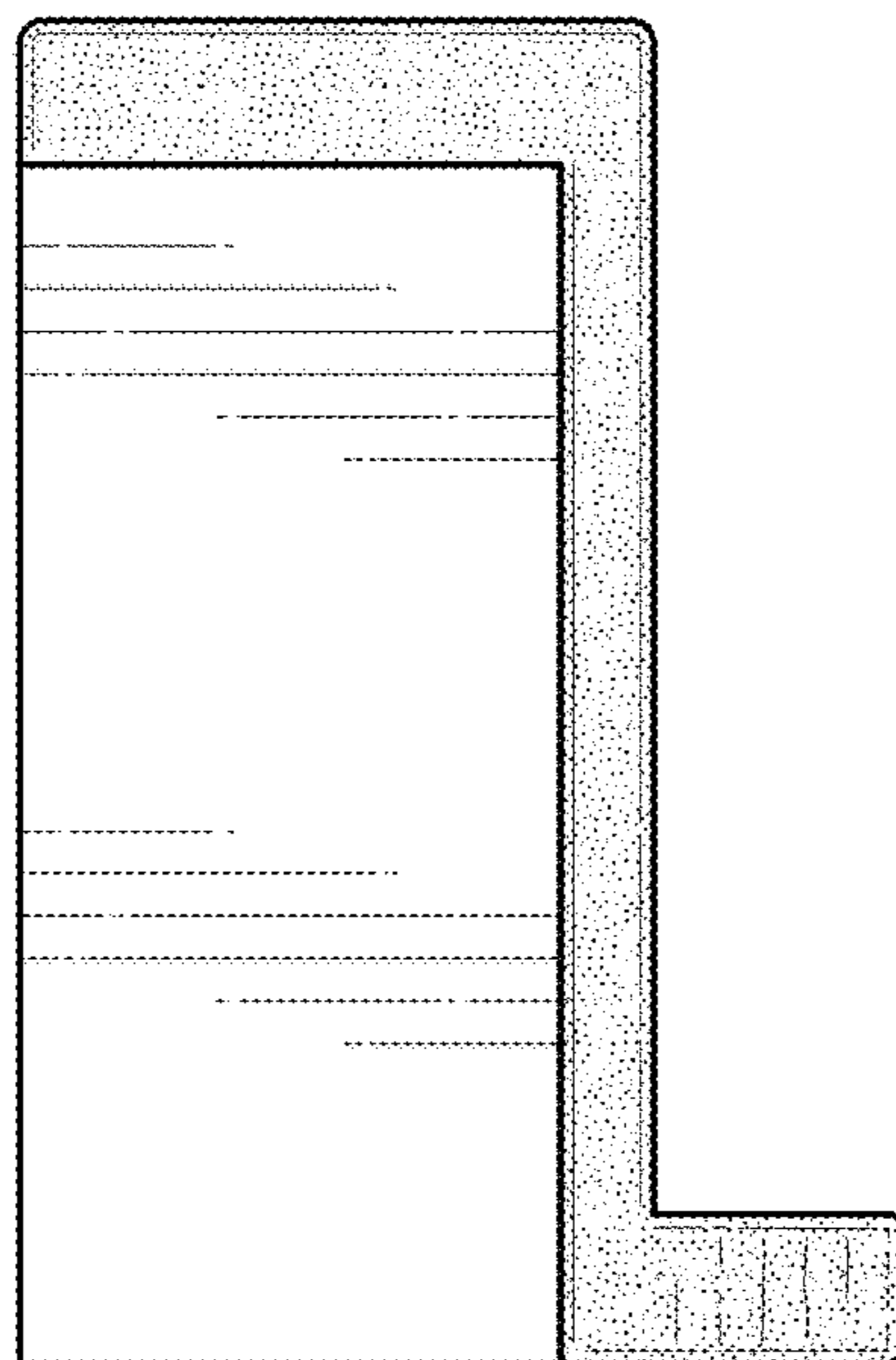


FIG. 7

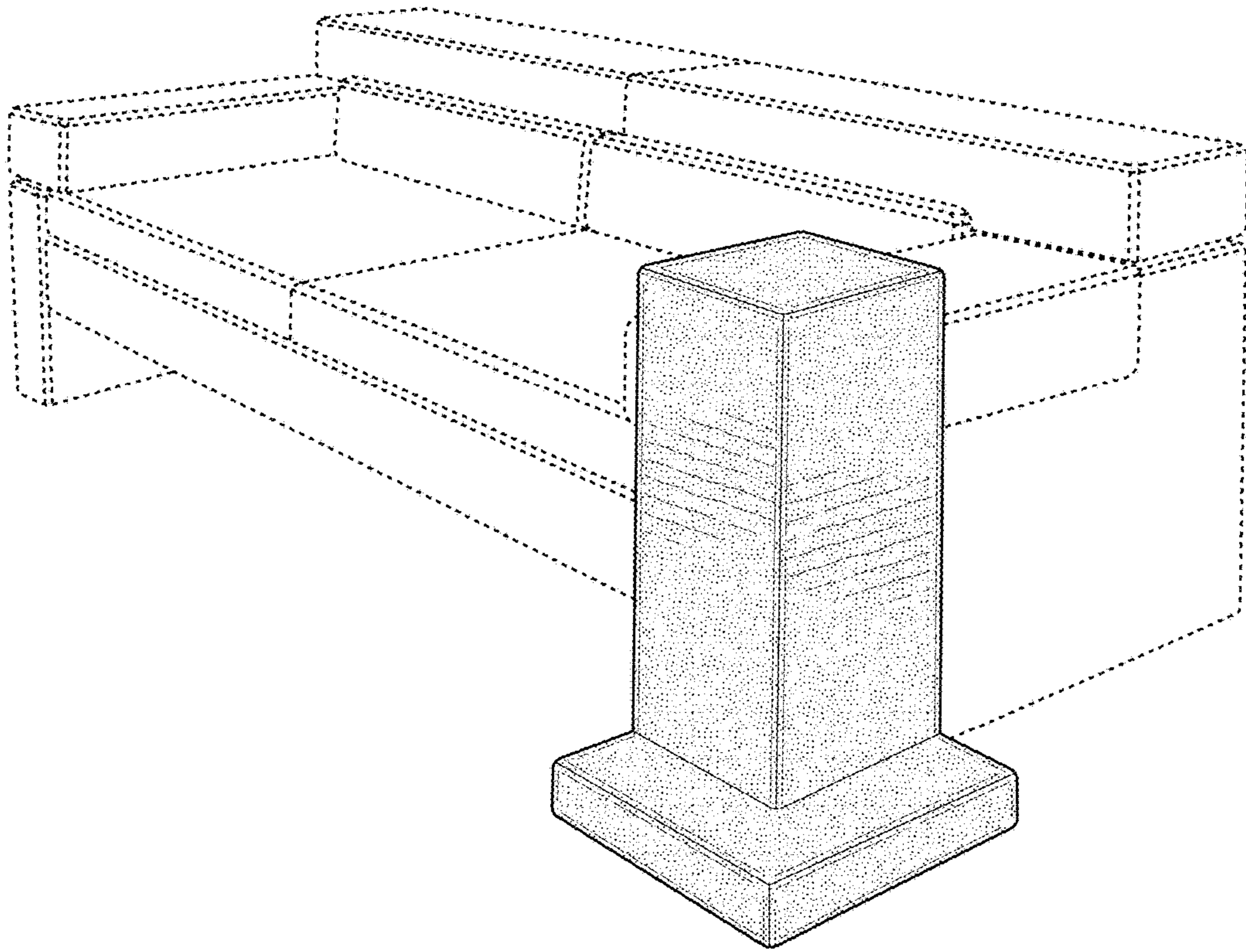


FIG. 8