



US00D865507S

(12) **United States Design Patent** (10) **Patent No.:** **US D865,507 S**
Tenander et al. (45) **Date of Patent:** **** *Nov. 5, 2019**

(54) **TUBING CLAMP**

(74) *Attorney, Agent, or Firm* — Eversheds Sutherland (US) LLP

(71) Applicant: **GE Healthcare Bio-Sciences Corp.**,
Marlborough, MA (US)

(57) **CLAIM**

(72) Inventors: **Eric Tenander**, Westborough, MA (US); **Ethan Michael Barrieau**,
Marlborough, MA (US); **Ralph Stankowski**, Westborough, MA (US)

The ornamental design for a tubing clamp, as shown and described.

(73) Assignee: **GE Healthcare Bio-Sciences Corp.**,
Marlborough, MA (US)

DESCRIPTION

(*) Notice: This patent is subject to a terminal disclaimer.

(**) Term: **15 Years**

(21) Appl. No.: **29/635,280**

(22) Filed: **Jan. 30, 2018**

Related U.S. Application Data

(63) Continuation-in-part of application No. 29/612,252,
filed on Jul. 31, 2017.

(51) **LOC (12) Cl.** **08-08**

(52) **U.S. Cl.**
USPC **D8/394**

(58) **Field of Classification Search**
USPC D8/349, 382, 394, 395, 396
(Continued)

FIG. 1 is a rear view of a tubing clamp in a closed configuration;
FIG. 2 is a bottom view thereof;
FIG. 3 is a front view thereof;
FIG. 4 is a top, right perspective view thereof;
FIG. 5 is a top, left perspective view thereof;
FIG. 6 is a bottom, left perspective view thereof;
FIG. 7 is a bottom, right perspective view thereof;
FIG. 8 is a left side view thereof;
FIG. 9 is a right side view thereof;
FIG. 10 is a top view thereof;
FIG. 11 is a rear view of the tubing clamp in an open configuration;
FIG. 12 is a bottom view thereof;
FIG. 13 is a front view thereof;
FIG. 14 is a top, right perspective view thereof;
FIG. 15 is a top, left perspective view thereof;
FIG. 16 is a bottom, left perspective view thereof;
FIG. 17 is a bottom, right perspective view thereof;
FIG. 18 is a left side view thereof;
FIG. 19 is a right side view thereof; and,
FIG. 20 is a top view thereof.

(56) **References Cited**

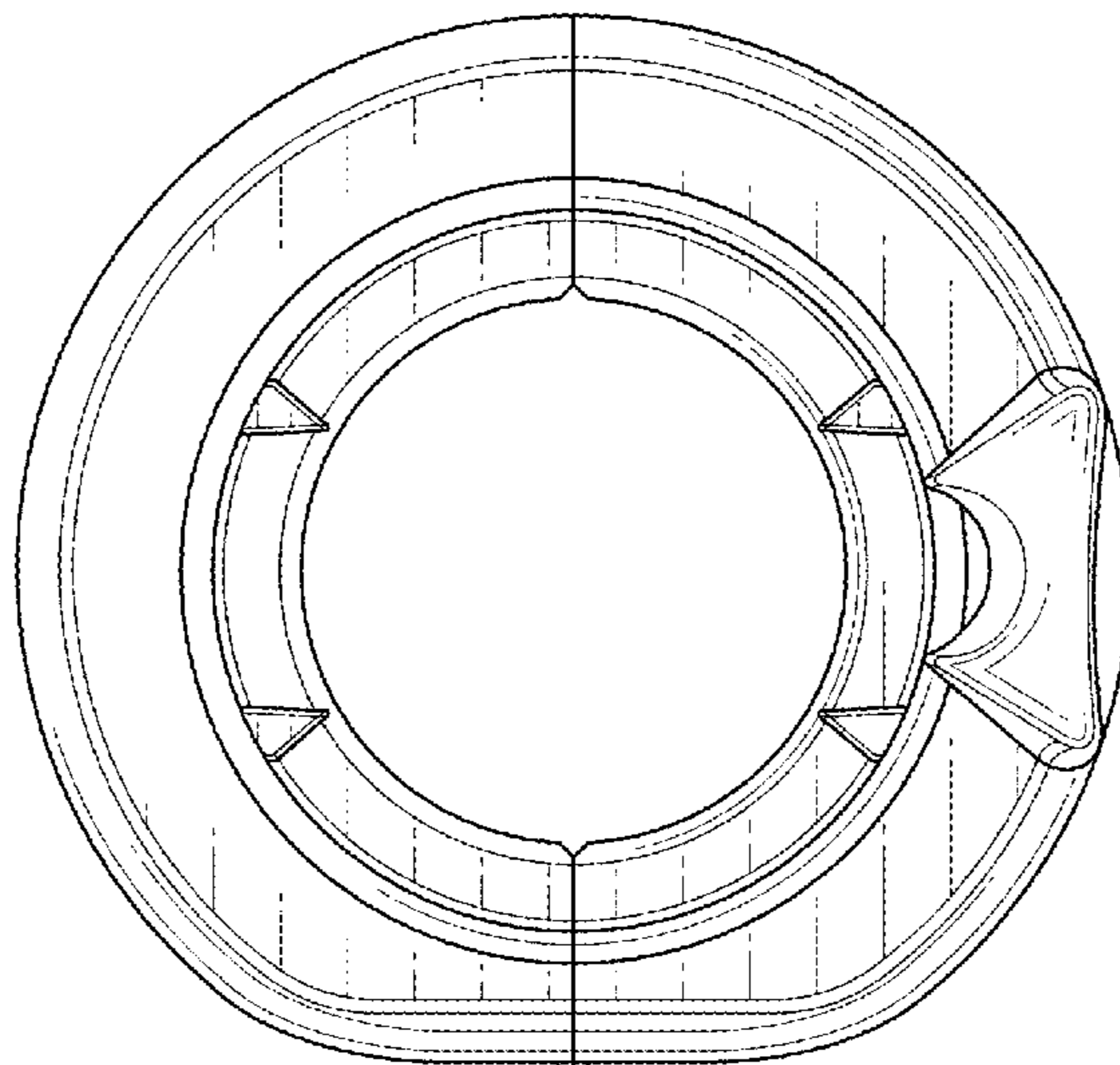
U.S. PATENT DOCUMENTS

4,186,947 A * 2/1980 Nixon F16L 17/04
285/112
D309,094 S * 7/1990 Donis D23/265
(Continued)

The design is for a tubing clamp which comprises two 'C' shaped pieces each joined together at one side by a hinge, and closeable together in use at their opposing ends, all formed from an integral molding. The clamps, during closing, are intended to compressively clamp around flexible or semi-flexible tubing (not shown and not part of the design), which in turn can have a male insert within it (not shown and not part of the design) to oppose the clamping force of the tubing clamp illustrated herein.

Primary Examiner — John Windmuller
Assistant Examiner — Steven J Czyz

1 Claim, 20 Drawing Sheets



(58) **Field of Classification Search**

CPC . F16L 17/00; F16L 17/04; F16L 21/06; F16L 21/08; F16L 23/00; F16L 23/08; F16L 23/036; F16L 3/13; F16L 33/04; F16L 33/06; F16L 33/08

See application file for complete search history.

(56) **References Cited**

U.S. PATENT DOCUMENTS

D318,123 S * 7/1991 Yokoyama D24/129
 5,359,866 A * 11/1994 Boddy F16B 2/10
 24/270
 5,620,210 A * 4/1997 Eyster F16L 21/06
 24/625
 D414,405 S * 9/1999 Tompkins D8/396
 6,170,884 B1 * 1/2001 McLennan F16L 17/04
 285/112
 6,227,577 B1 * 5/2001 Ikeda F16L 17/04
 285/112
 D494,847 S * 8/2004 Maniezzo D8/382
 D570,458 S * 6/2008 Gibb D23/262
 D574,228 S * 8/2008 Johansson D8/396
 D577,423 S * 9/2008 Dole D23/265
 D583,444 S * 12/2008 Nagle D23/262
 D583,916 S * 12/2008 Madara D23/265
 D584,604 S * 1/2009 Baldwin D8/396
 D587,349 S * 2/2009 Madara D23/265
 D595,814 S * 7/2009 Pierce D23/262
 D597,635 S * 8/2009 Dole D23/262
 D598,076 S * 8/2009 Dole D23/262
 D598,077 S * 8/2009 Gibb D23/265
 D600,325 S * 9/2009 Porter D23/262
 D600,326 S * 9/2009 Gibb D23/265
 D602,127 S * 10/2009 Shah D23/262
 D608,868 S * 1/2010 Porter D23/262
 D608,869 S * 1/2010 Porter D23/262

D608,872 S * 1/2010 Porter D23/262
 D609,312 S * 2/2010 Porter D23/262
 D616,532 S * 5/2010 Madara D23/262
 D618,312 S * 6/2010 Madara D23/262
 D618,314 S * 6/2010 Bowman D23/262
 D621,917 S * 8/2010 Madara D23/262
 D625,785 S * 10/2010 Madara D23/262
 D625,786 S * 10/2010 Bowman D23/262
 D626,202 S * 10/2010 Porter D23/262
 D629,072 S * 12/2010 Madara D23/262
 D629,074 S * 12/2010 Shah D23/262
 D629,076 S * 12/2010 Madara D23/262
 D629,078 S * 12/2010 Dole D23/262
 D629,080 S * 12/2010 Dole D23/262
 D629,082 S * 12/2010 Dole D23/262
 D629,083 S * 12/2010 Dole D23/262
 D629,496 S * 12/2010 Madara D23/262
 D674,059 S * 1/2013 Cuvo D23/262
 D674,063 S * 1/2013 Wilk, Jr. D23/262
 D674,064 S * 1/2013 Dole D23/262
 D700,835 S * 3/2014 Langlois D8/396
 8,961,340 B2 * 2/2015 Boatwright A63B 59/0044
 473/568
 D735,025 S * 7/2015 Mathien D8/396
 9,074,715 B2 * 7/2015 Weger F16L 55/02
 9,518,667 B2 * 12/2016 Ramos F16K 7/063
 9,580,281 B2 * 2/2017 Foley B66C 1/44
 D813,025 S * 3/2018 Yesavage D8/395
 D813,657 S * 3/2018 Bowman D8/395
 D820,074 S * 6/2018 Huettemann D8/394
 D820,076 S * 6/2018 Ramirez D8/396
 10,074,913 B1 * 9/2018 Bussey H01R 4/2412
 2005/0242585 A1 * 11/2005 Dole B21D 17/04
 285/367
 2009/0146417 A1 * 6/2009 Lippka F16L 17/025
 285/112
 2010/0102549 A1 * 4/2010 Radzik F16L 17/04
 285/112

* cited by examiner

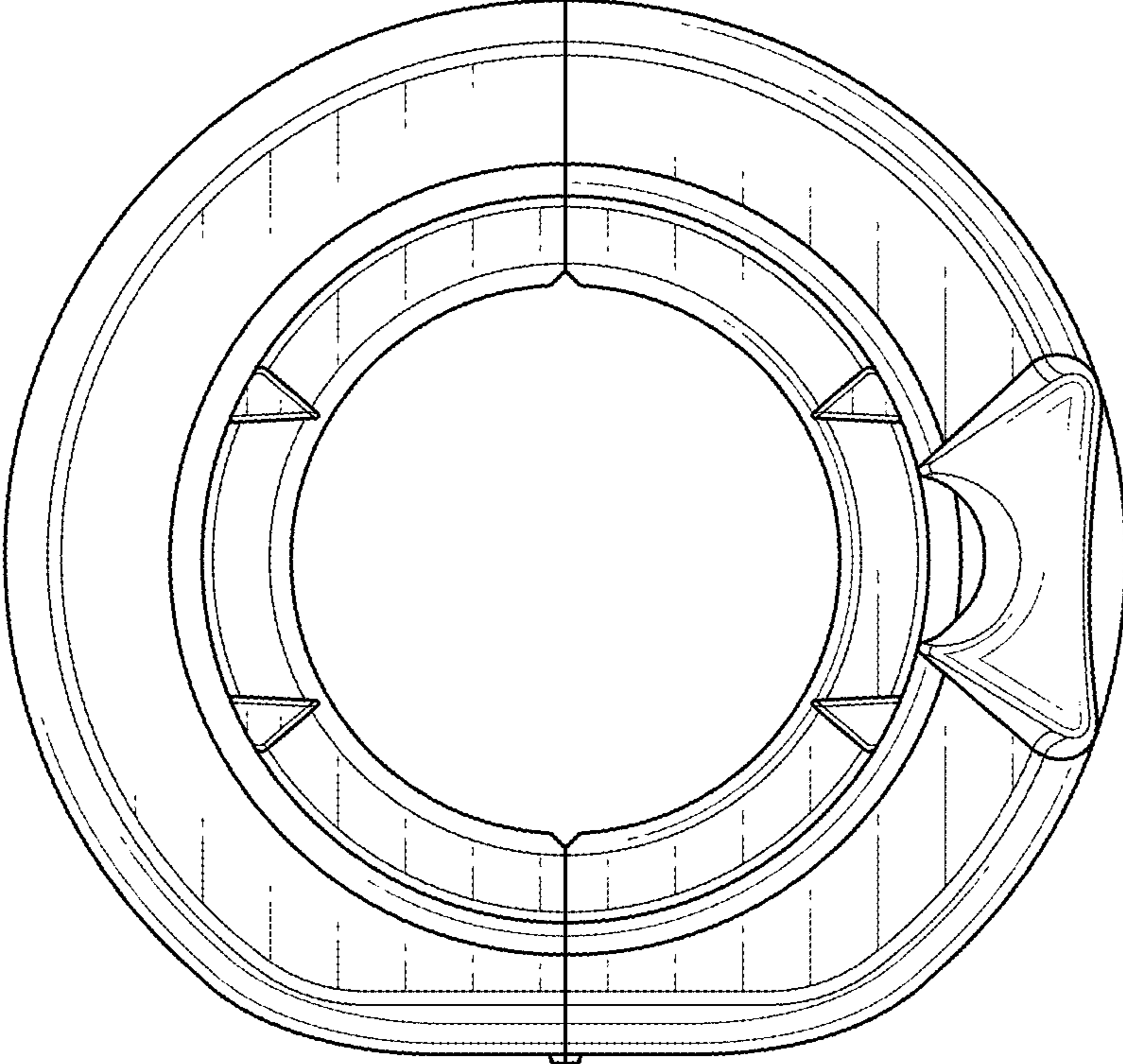


FIG. 1

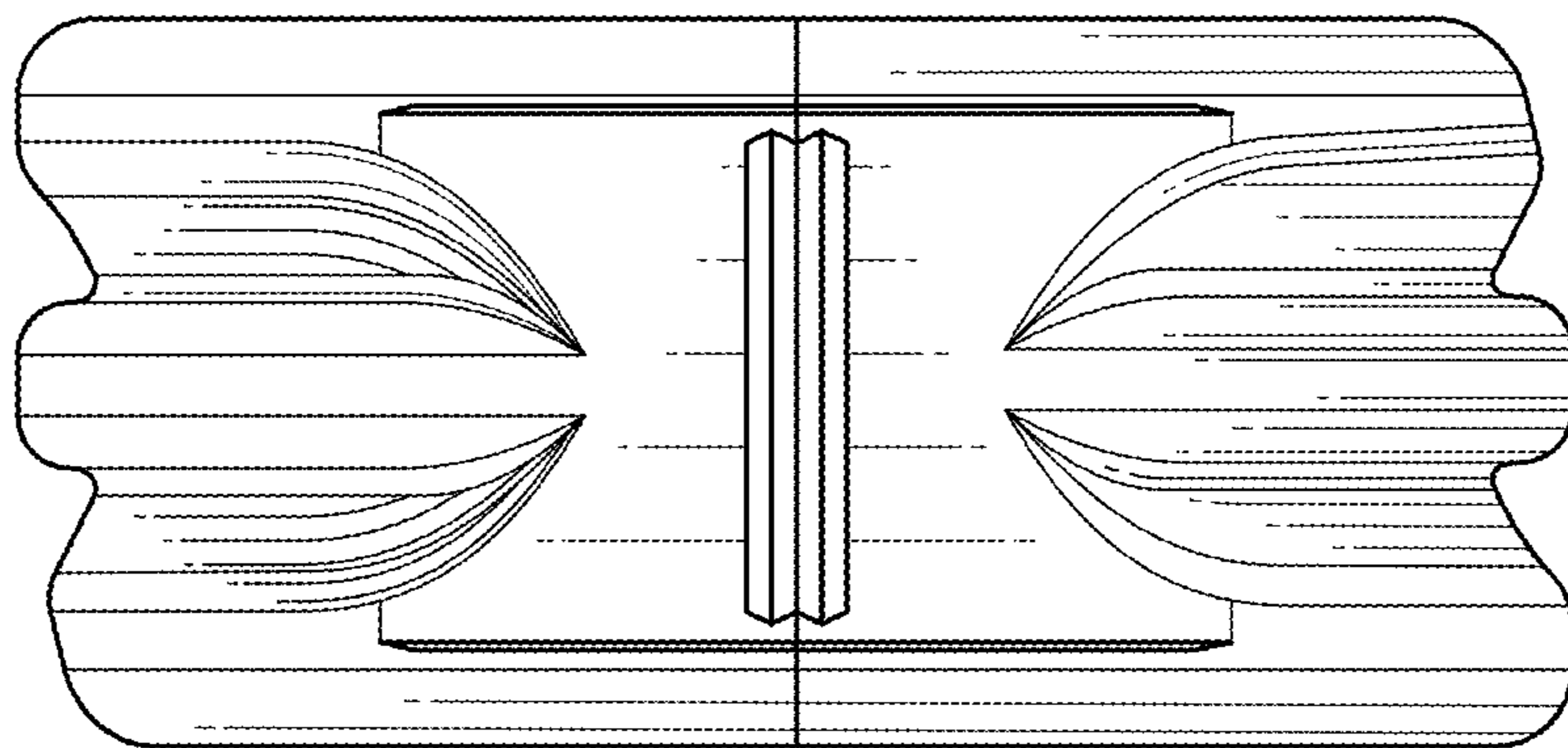


FIG. 2

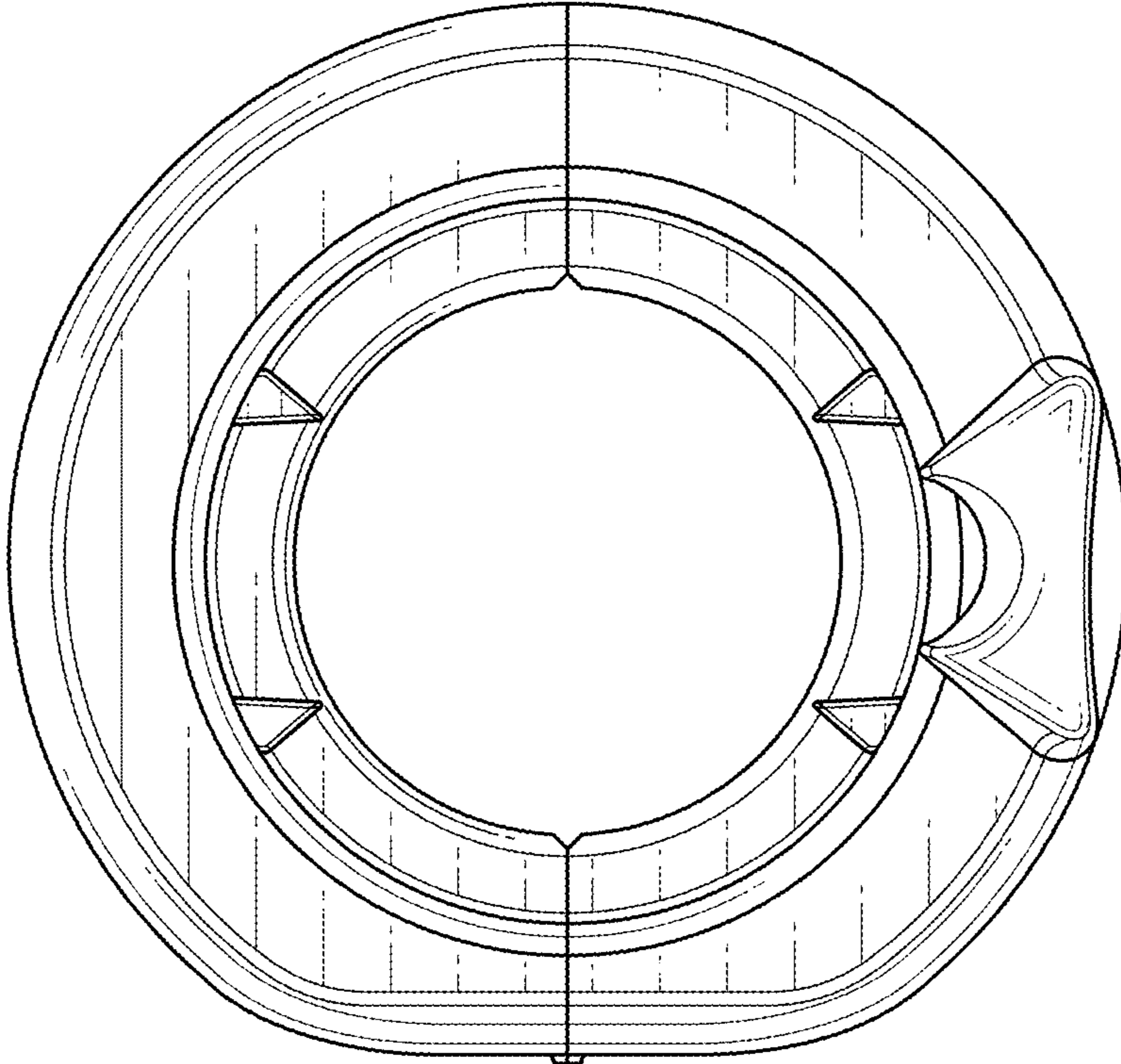


FIG. 3

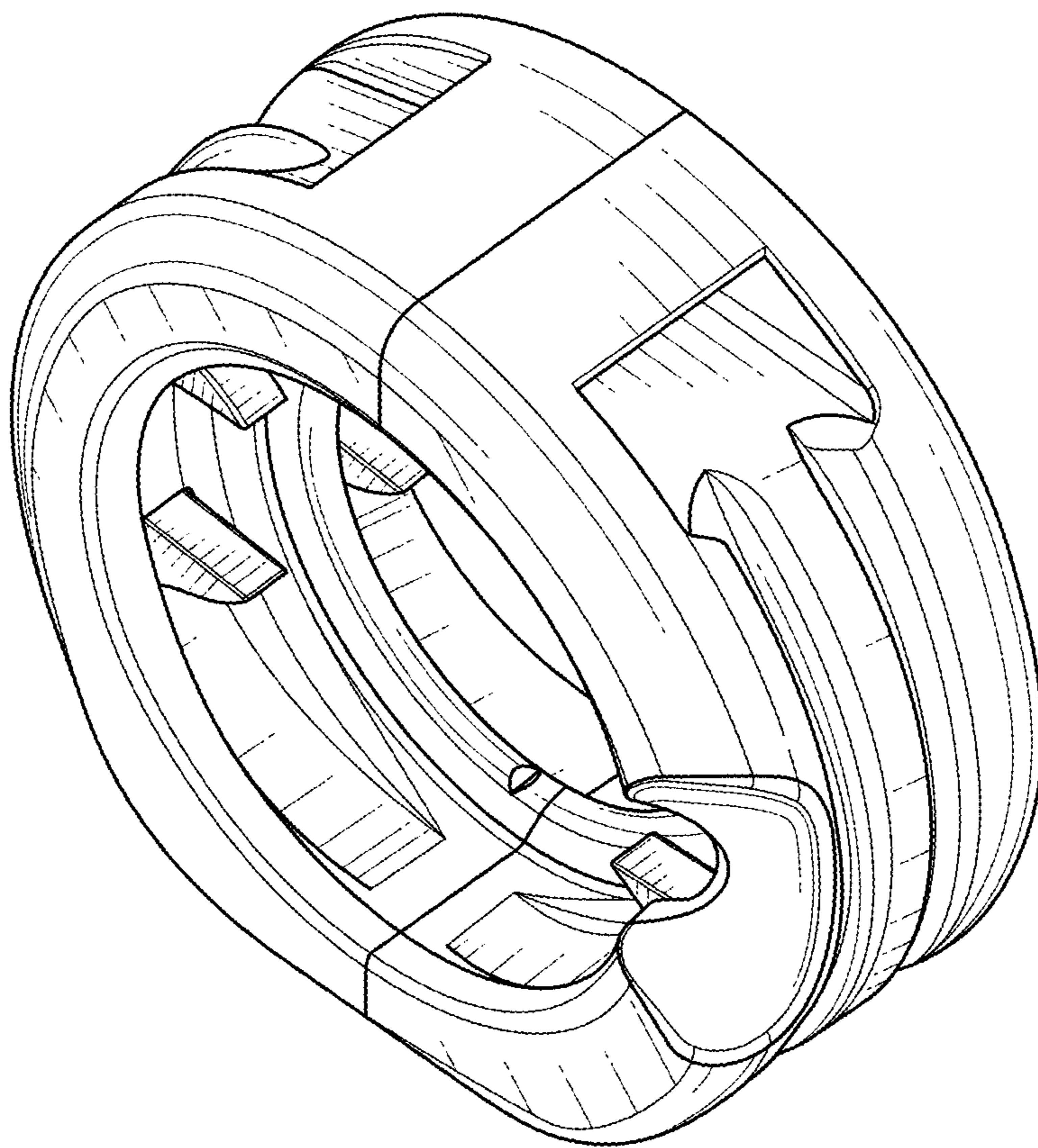


FIG. 4

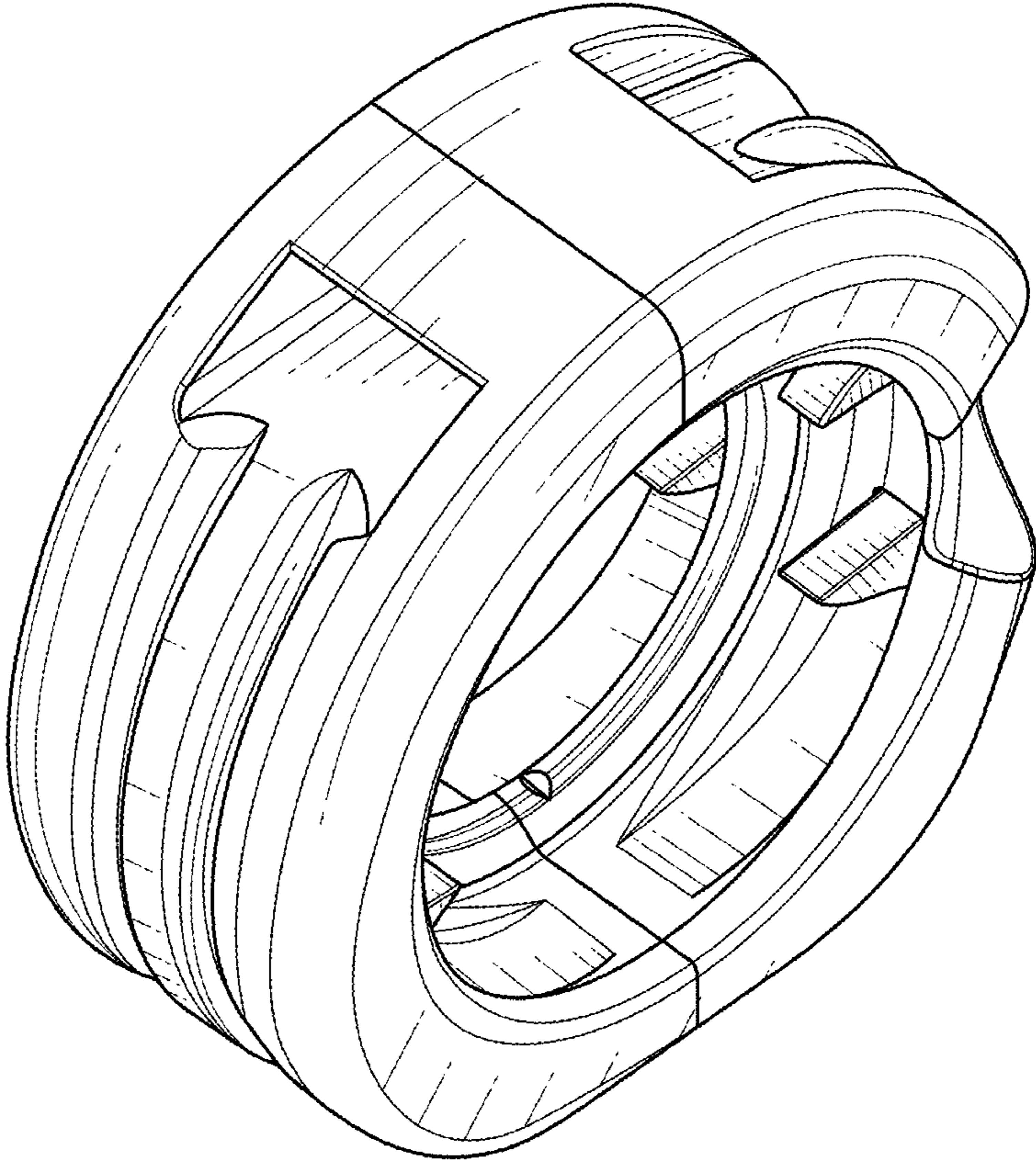


FIG. 5

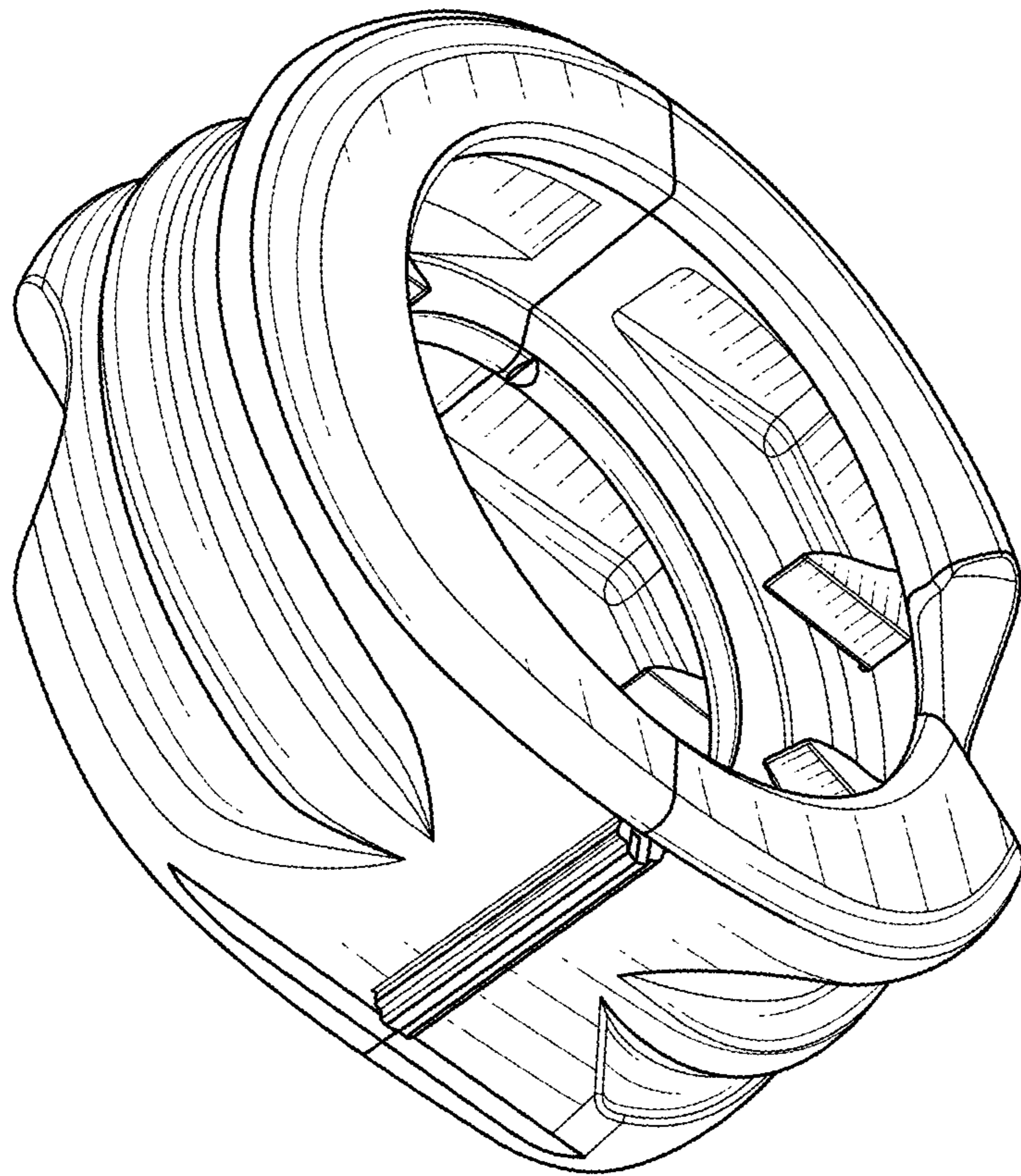


FIG. 6

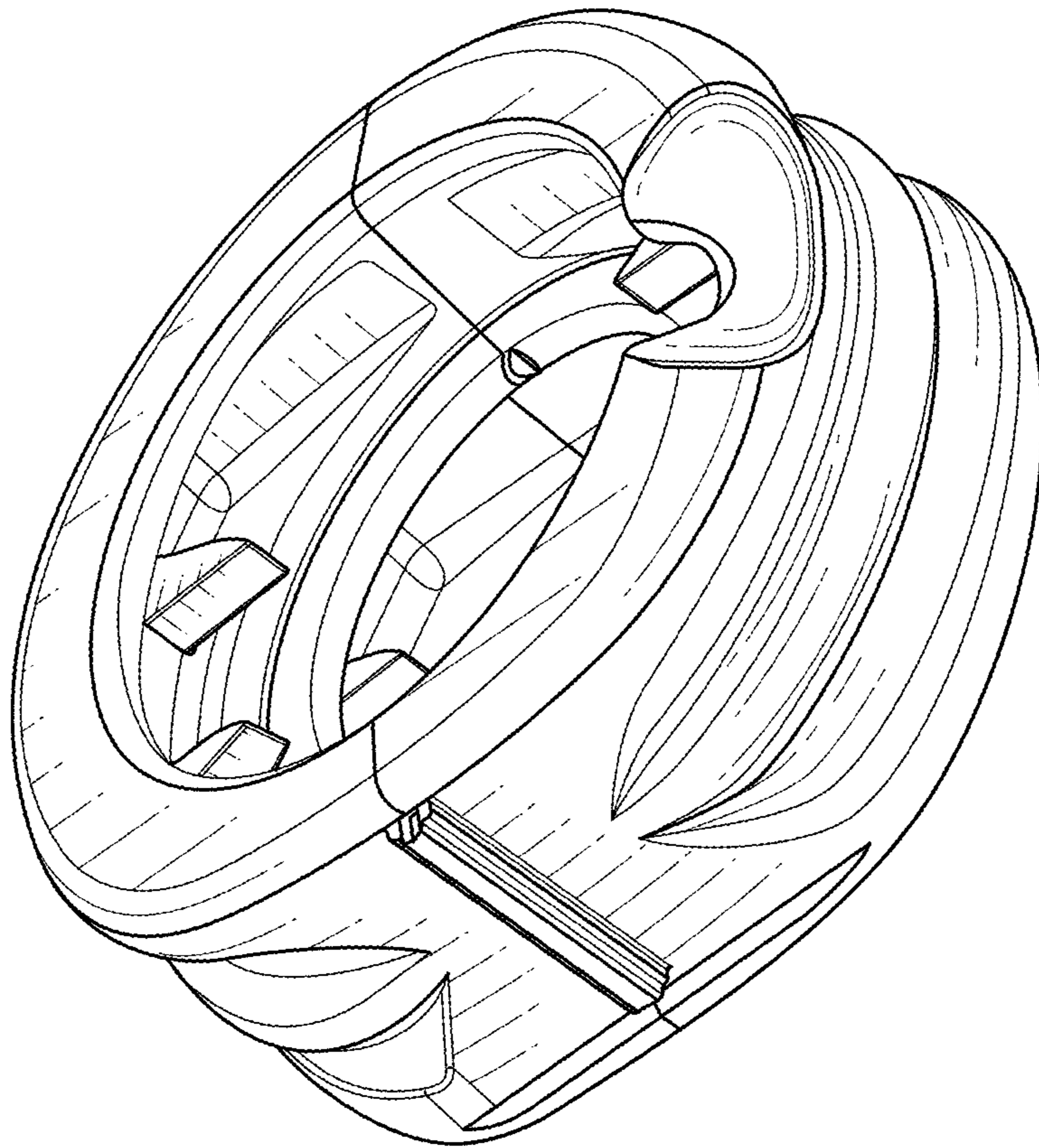


FIG. 7

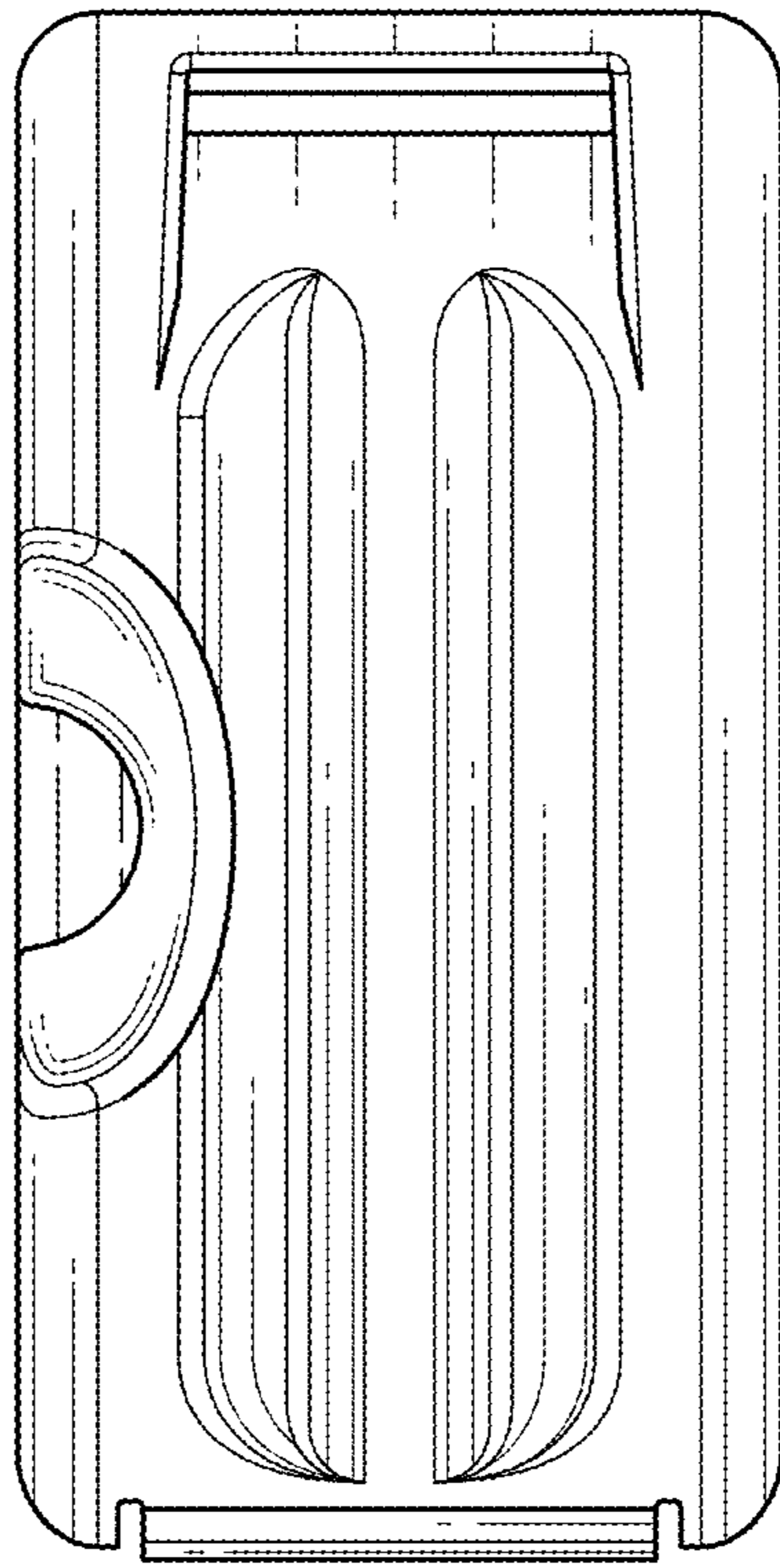


FIG. 8

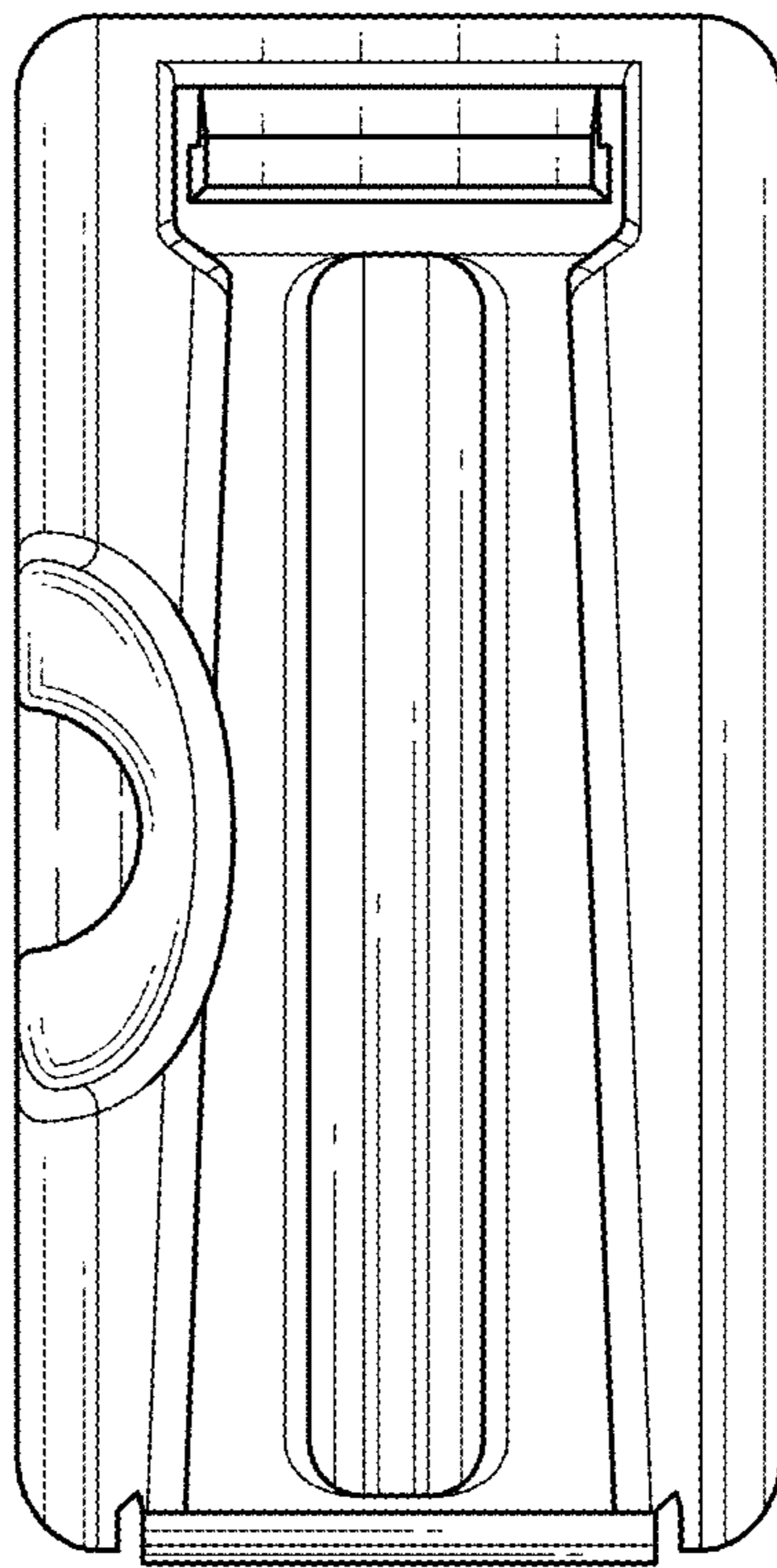


FIG. 9

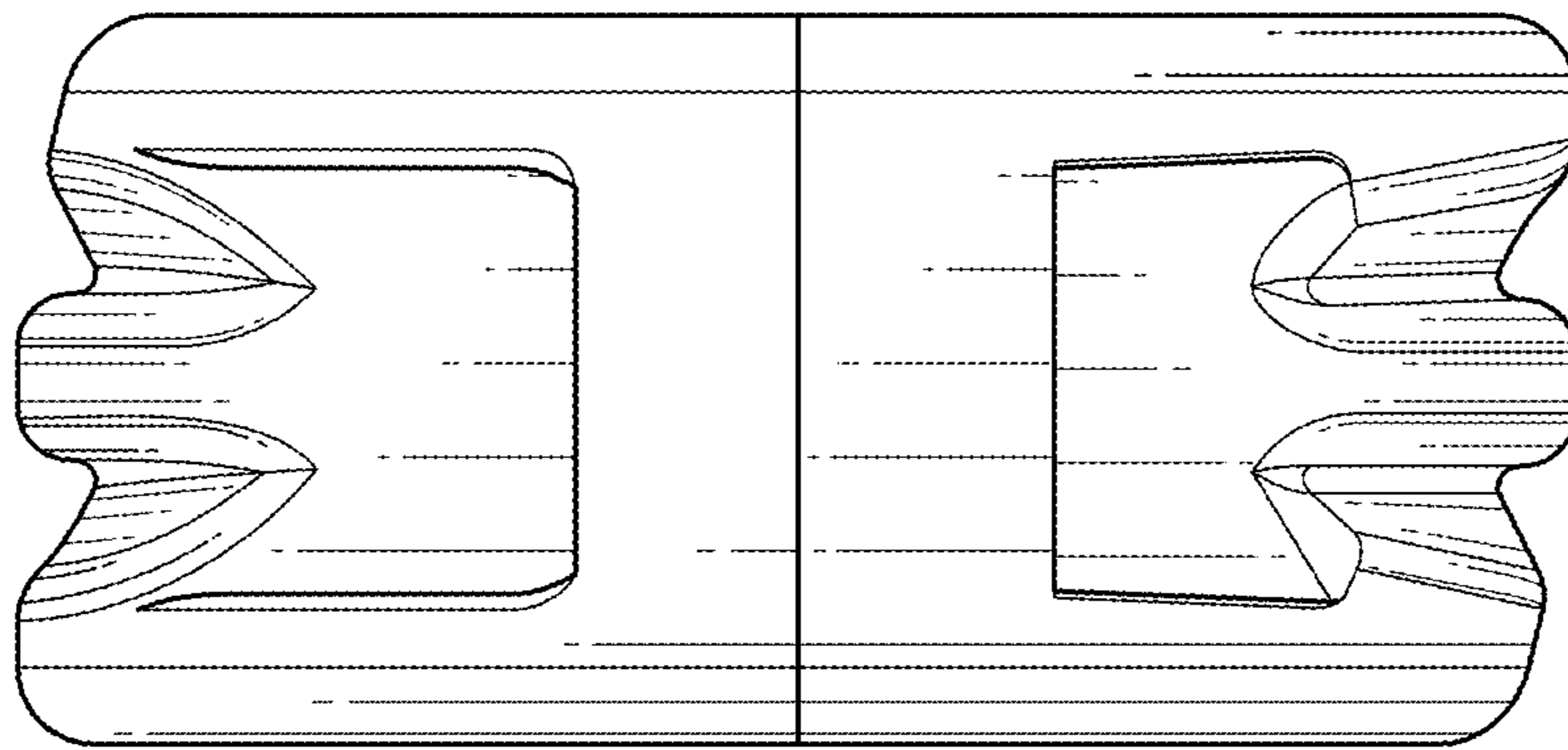


FIG. 10

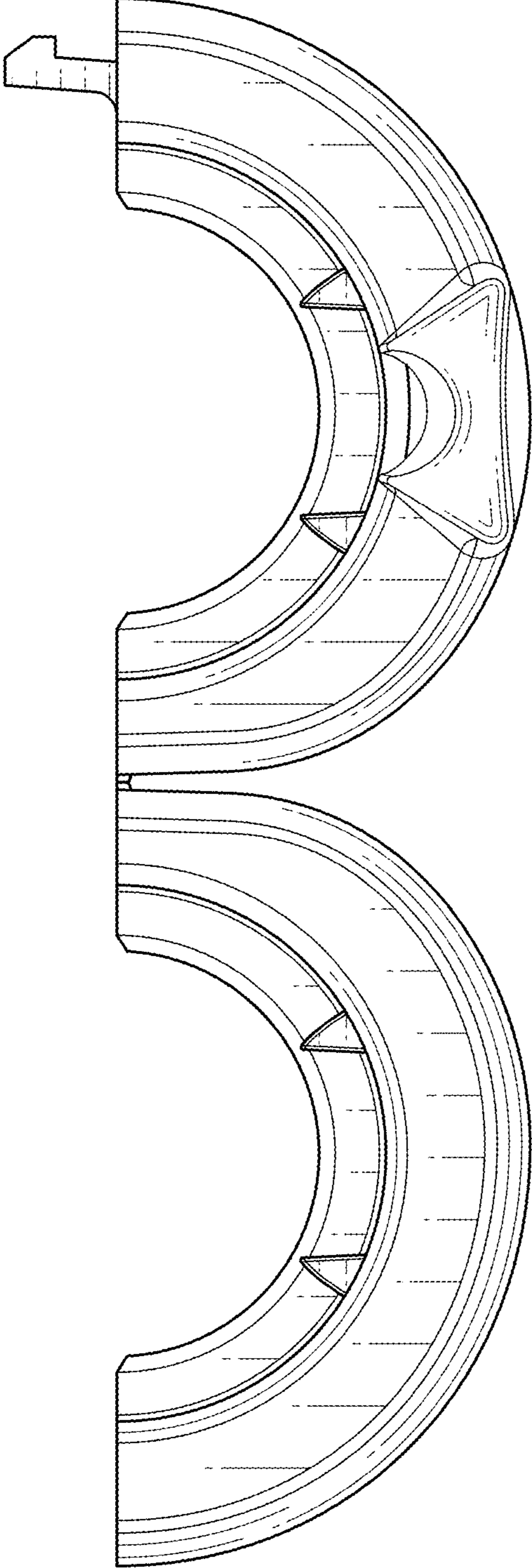


FIG. 11

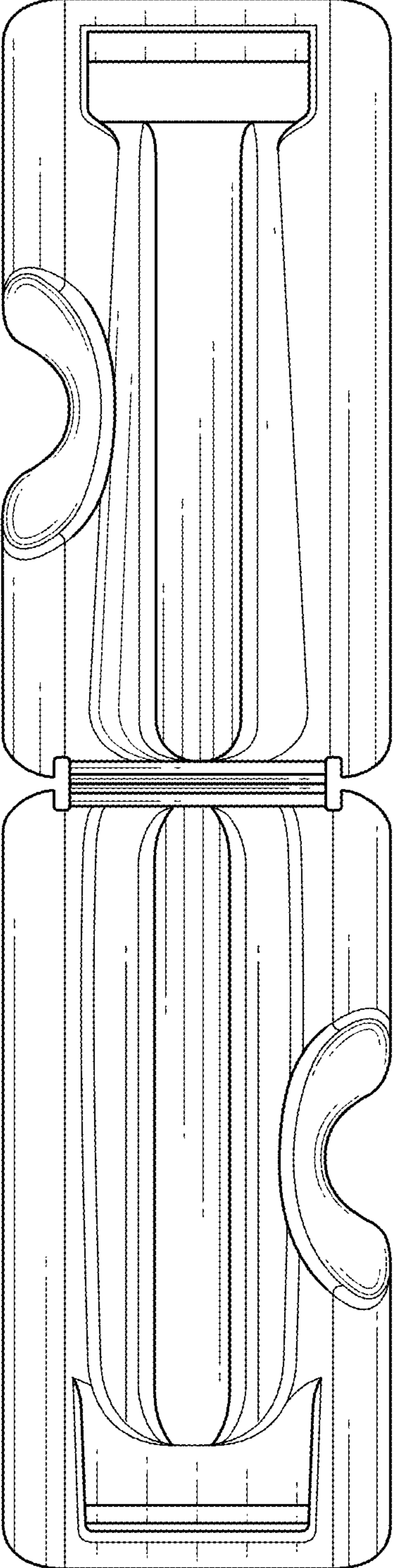


FIG. 12

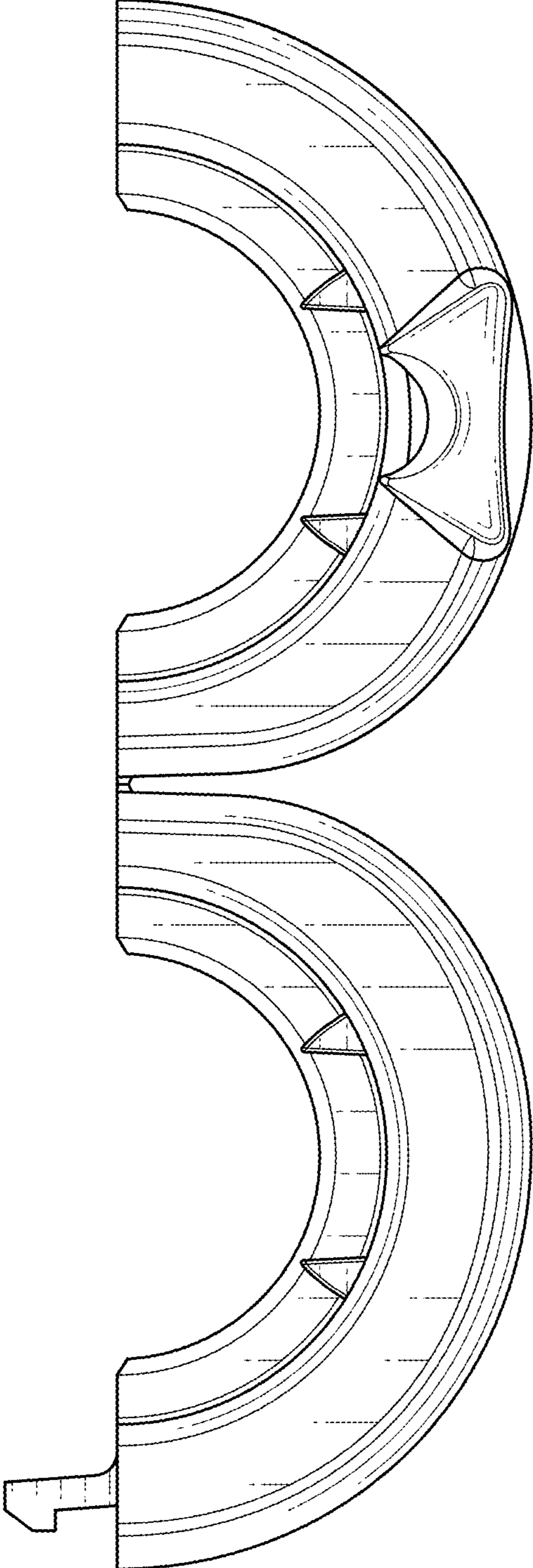


FIG. 13

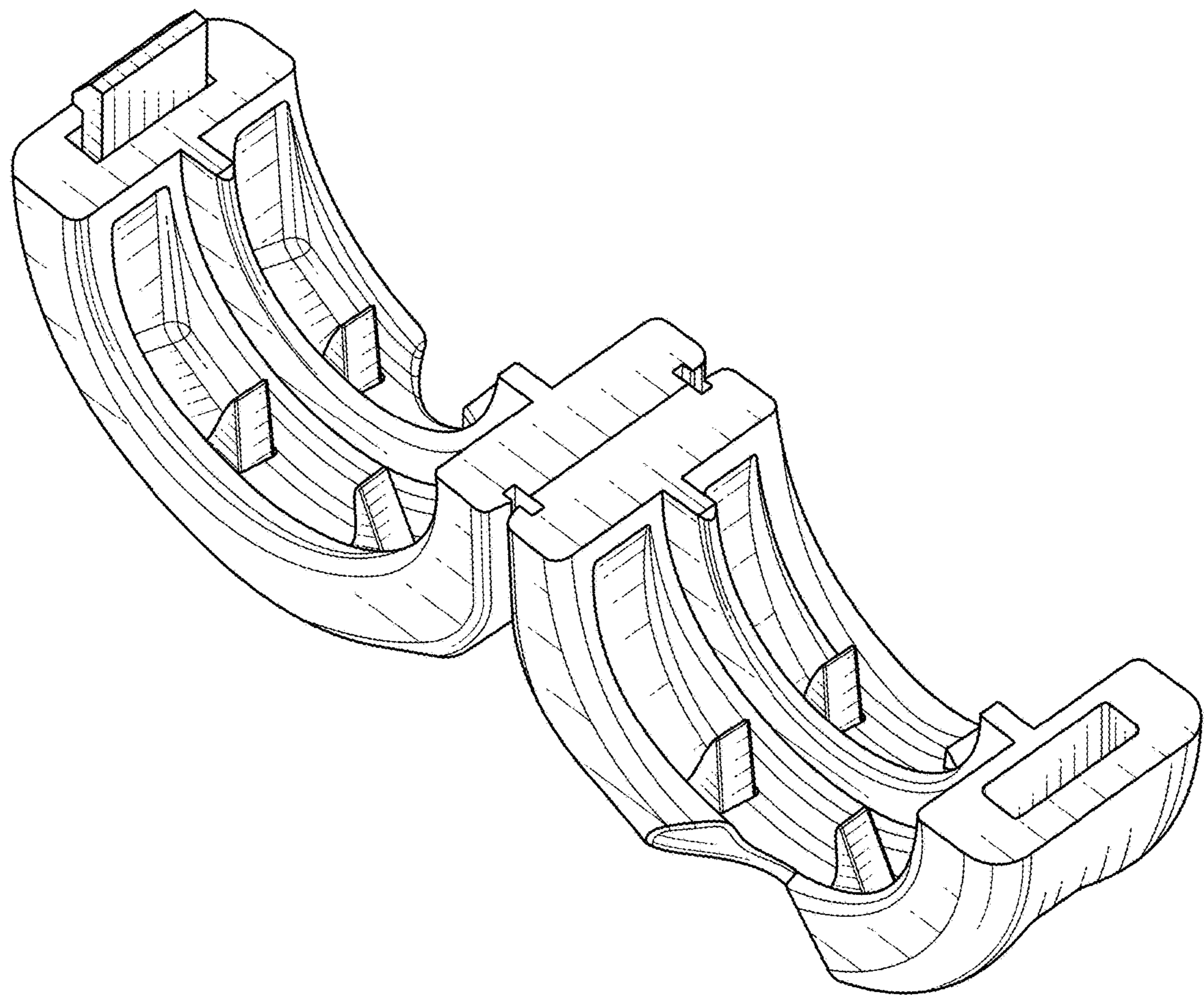


FIG. 14

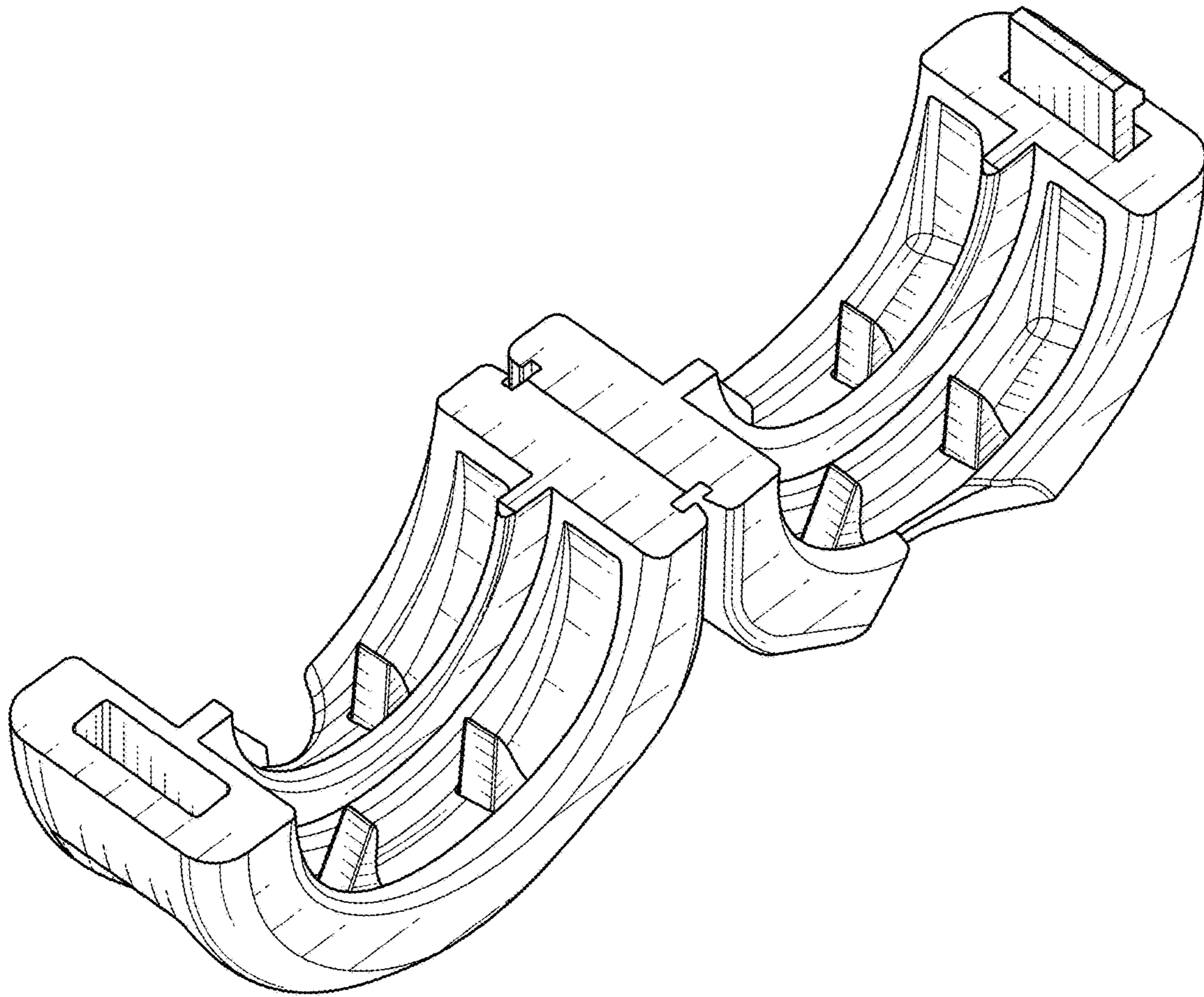


FIG. 15

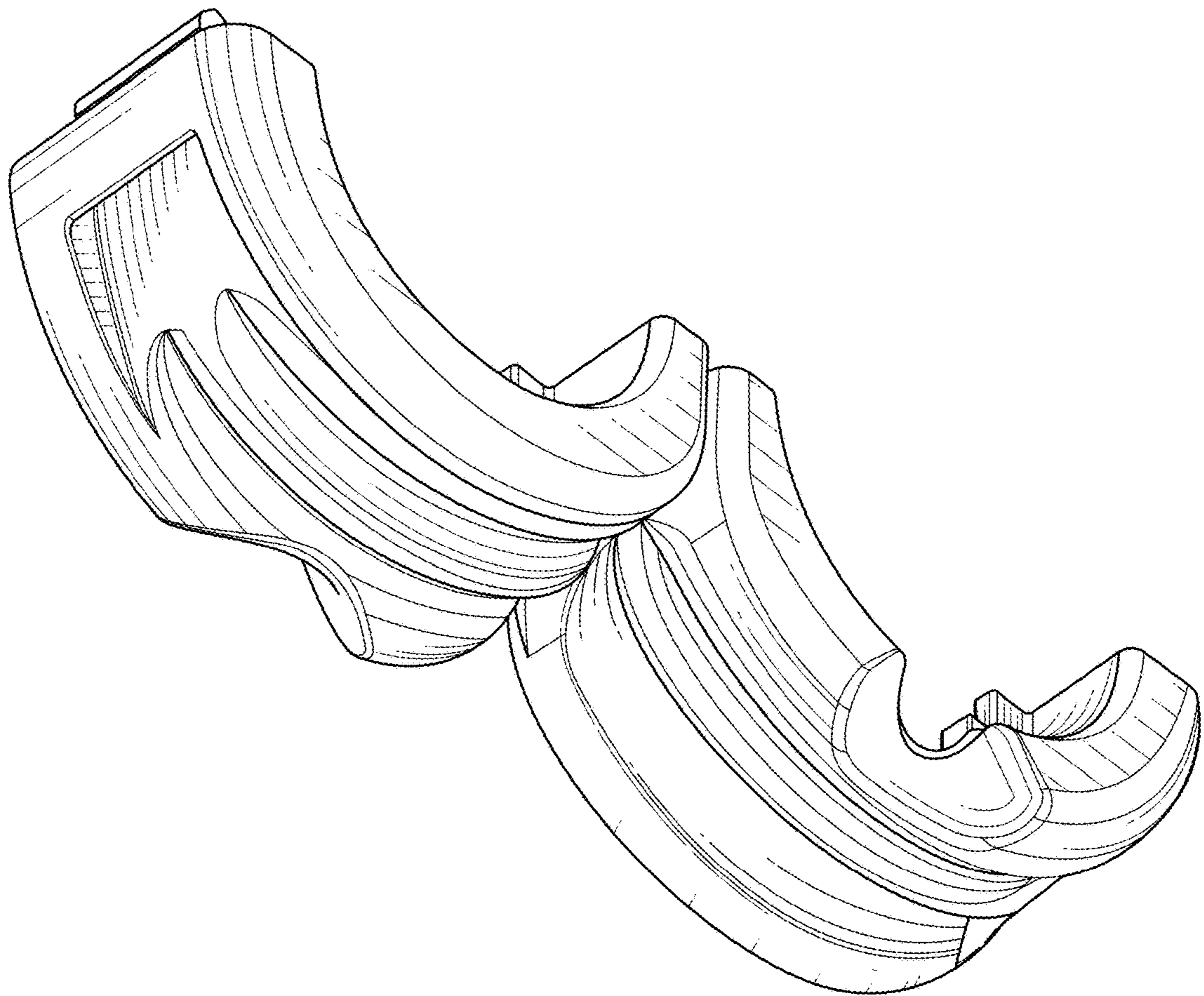


FIG. 16

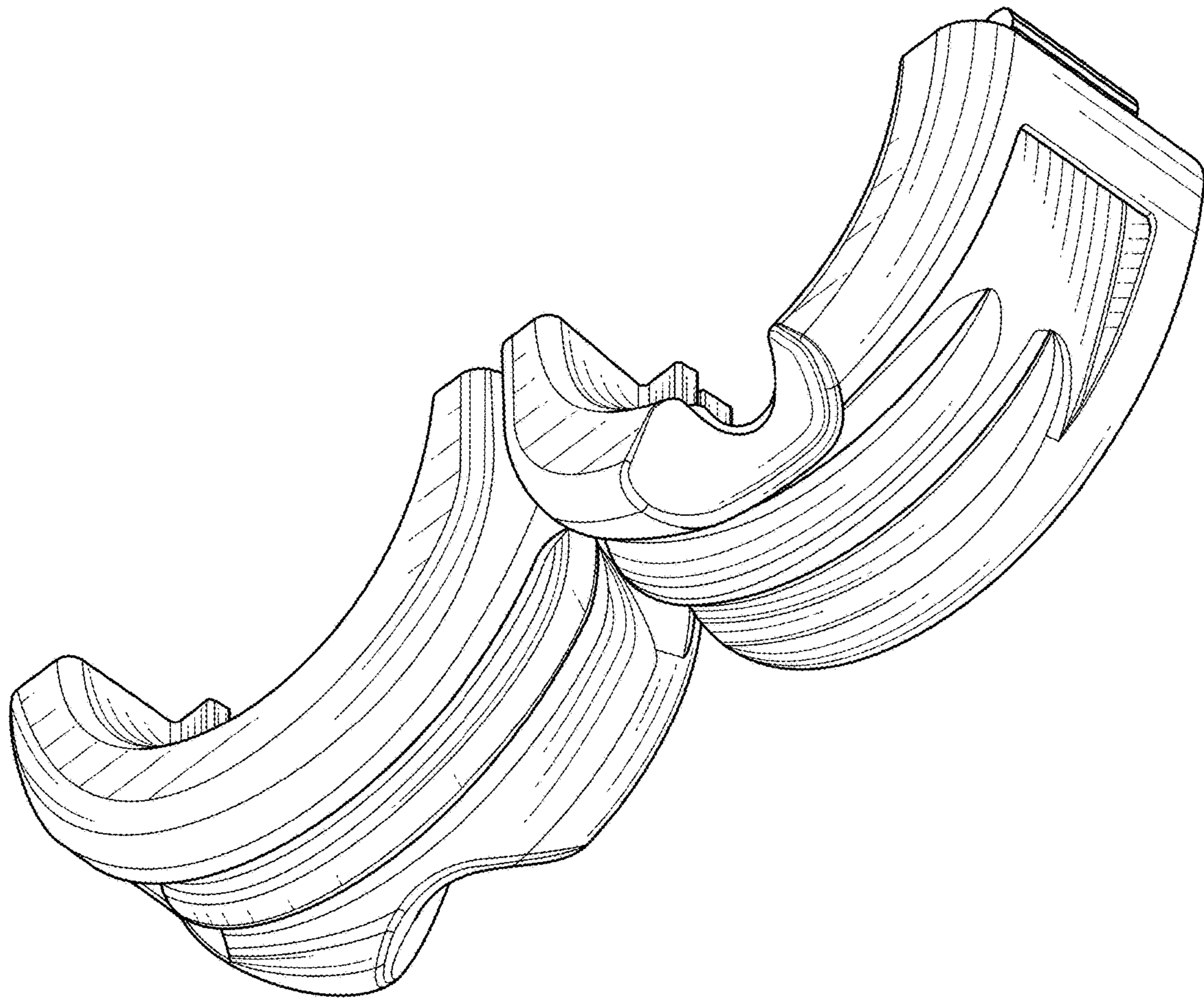


FIG. 17

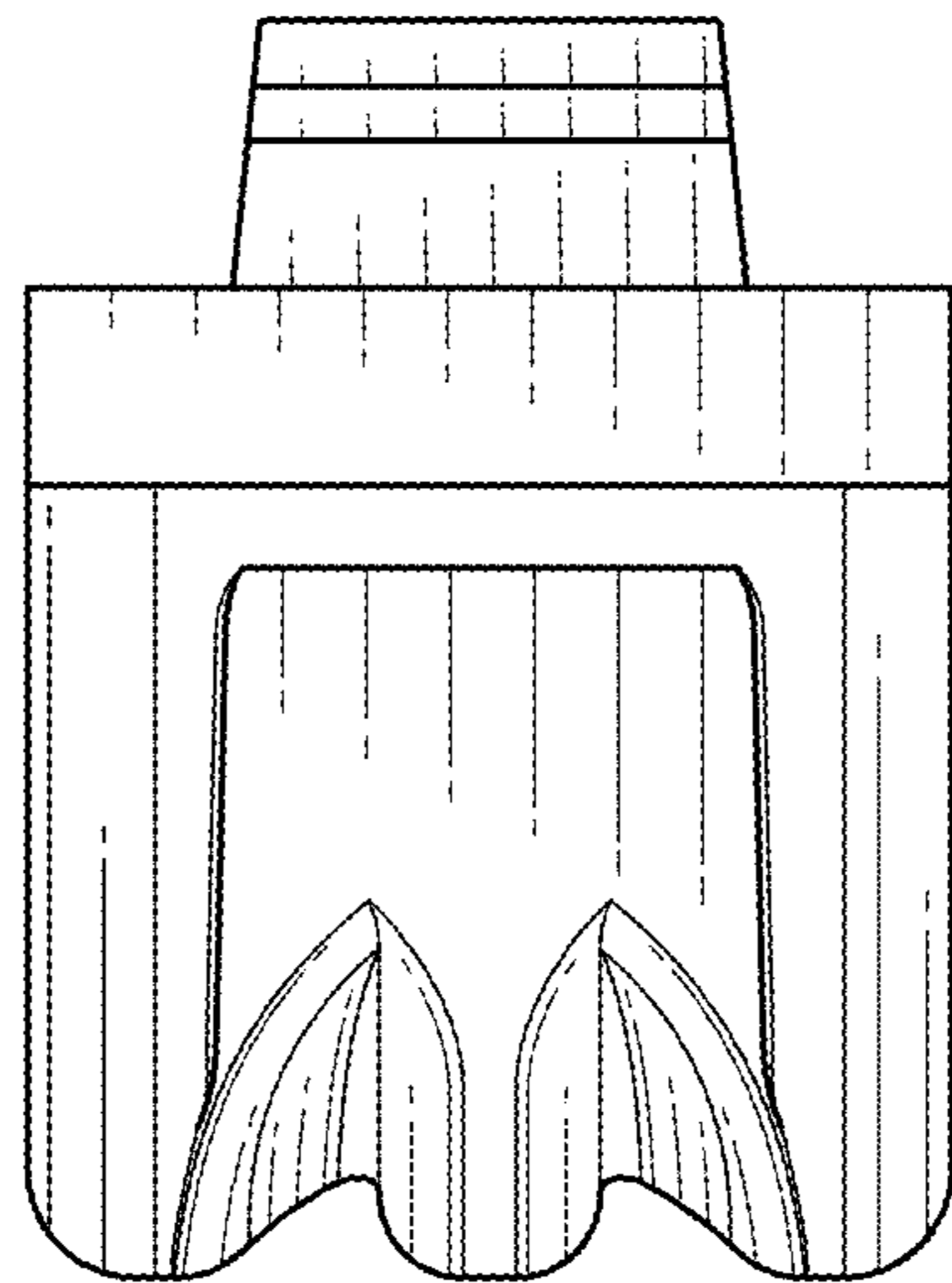


FIG. 18

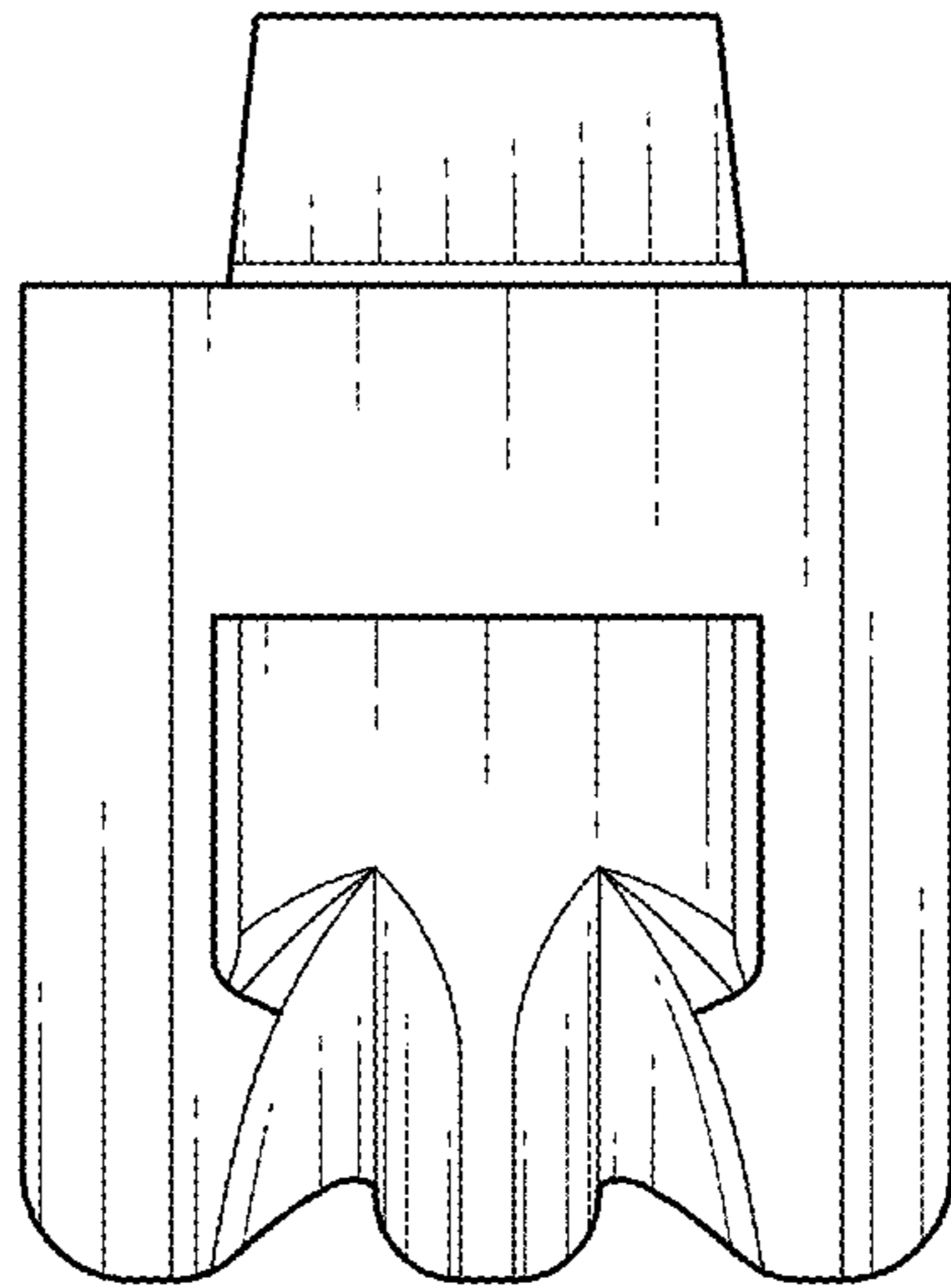


FIG. 19

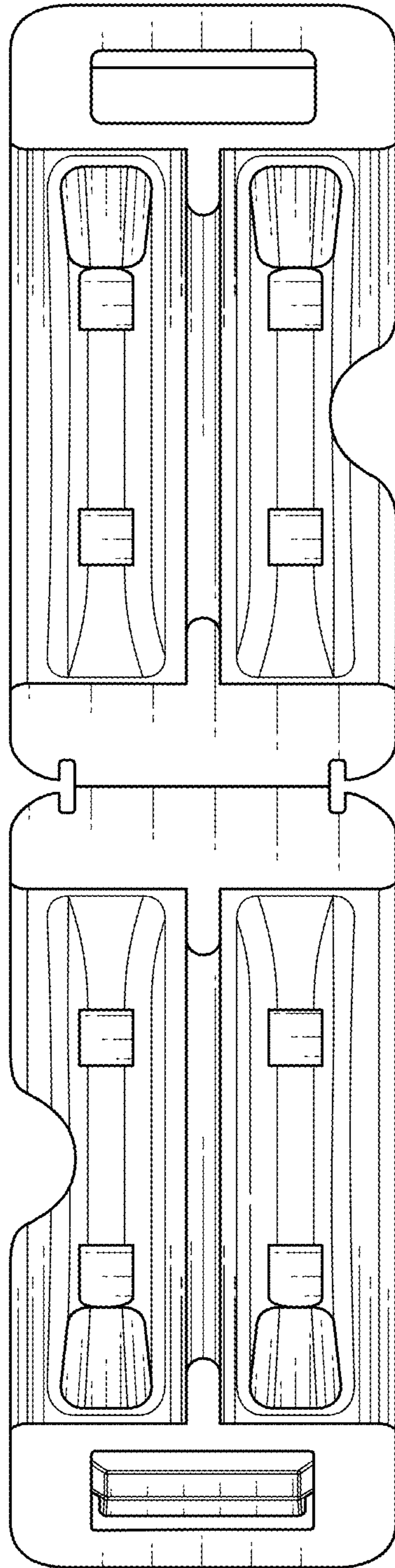


FIG. 20