

US00D865506S

(12) **United States Design Patent**
King

(10) **Patent No.:** **US D865,506 S**

(45) **Date of Patent:** **** Nov. 5, 2019**

(54) SELF-LOCKING TIE	8,479,361 B2 *	7/2013	Every	B65D 63/1063 24/16 PB
(71) Applicant: Lock Right, LLC , West Valley City, UT (US)	8,726,468 B2 *	5/2014	Dyer	B65D 63/1063 24/16 PB
(72) Inventor: Creighton King , Spanish Fork, UT (US)	9,365,336 B2 *	6/2016	Moore	B65D 63/1018
	D809,373 S *	2/2018	Lomax	D8/394
	10,065,777 B2 *	9/2018	King	B65D 63/1072
	2009/0031603 A1 *	2/2009	Kitchen	G02C 11/00 40/665
(73) Assignee: Lock Right, LLC , West Valley City, UT (US)	2013/0067695 A1 *	3/2013	Giotto	B65D 63/1072 24/16 PB
	2014/0165339 A1 *	6/2014	Yuan	B65D 63/1072 24/16 PB

(**) Term: **15 Years**

(21) Appl. No.: **29/629,868**

(22) Filed: **Dec. 15, 2017**

Related U.S. Application Data

(63) Continuation-in-part of application No. 15/007,067,
filed on Jan. 26, 2016, now abandoned.

(51) **LOC (12) Cl.** **08-08**

(52) **U.S. Cl.**
USPC **D8/394; D8/387**

(58) **Field of Classification Search**
USPC D8/383, 356, 382, 387, 394, 396, 499
CPC B65D 63/1072; B65D 63/1063; B65D
2563/103; B65D 63/1045; B65D 63/00;
B65D 63/1081; F16B 2/26; F16L 3/2332;
F16L 3/2334; Y10T 24/1498; Y10T
24/14; Y10T 24/45246; Y10T 24/141;
Y10T 24/15

See application file for complete search history.

(56) **References Cited**

U.S. PATENT DOCUMENTS

4,236,280 A *	12/1980	Kreiseder	B65D 63/1072 24/16 PB
D298,914 S *	12/1988	Thomas	D8/373
5,131,613 A *	7/1992	Kamiya	F16L 3/233 24/16 PB

(Continued)

Primary Examiner — John Windmuller

(74) *Attorney, Agent, or Firm* — Durham Jones &
Pinegar, P.C., Intellectual Property Law Group

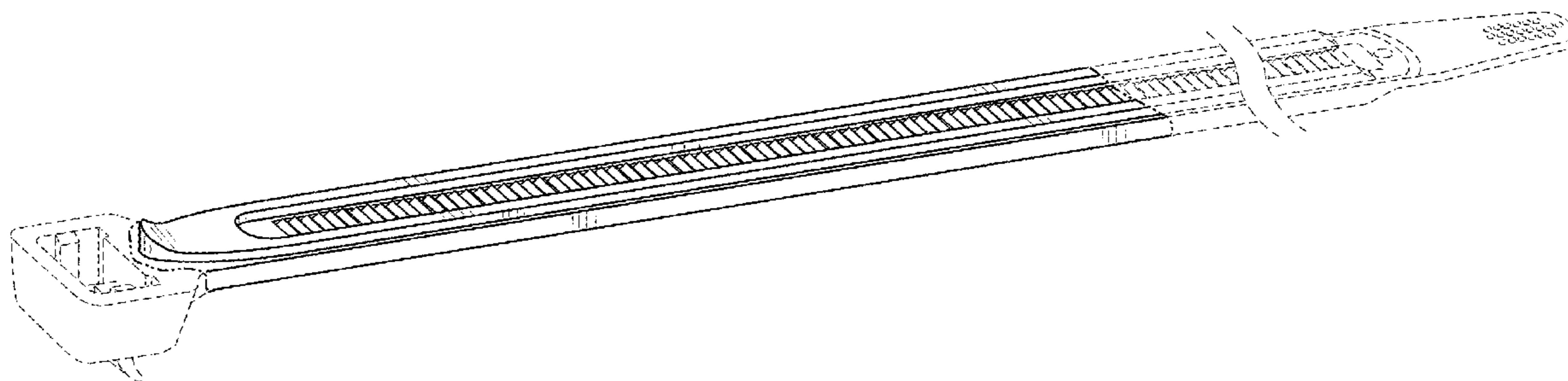
(57) **CLAIM**

The ornamental design for a self-locking tie, as shown and
described.

DESCRIPTION

FIG. 1 is a perspective view of my new design for a self-locking tie;
FIG. 2 is a top view of the self-locking tie shown in FIG. 1;
FIG. 3 is a bottom view of the self-locking tie shown in FIG. 1;
FIG. 4 is a first side view of the self-locking tie shown in FIG. 1;
FIG. 5 is a second side view of the self-locking tie shown in FIG. 1;
FIG. 6 is a first end view of the self-locking tie shown in FIG. 1; and,
FIG. 7 is a second end view of the self-locking tie shown in FIG. 1.
Broken lines are used in the drawings to illustrate features that form no part of the claimed design.

1 Claim, 2 Drawing Sheets



(56)

References Cited

U.S. PATENT DOCUMENTS

2014/0290015	A1 *	10/2014	Barron	A43C 1/00 24/712.4
2016/0001945	A1 *	1/2016	Foreman	F16L 3/222 29/525.03

* cited by examiner

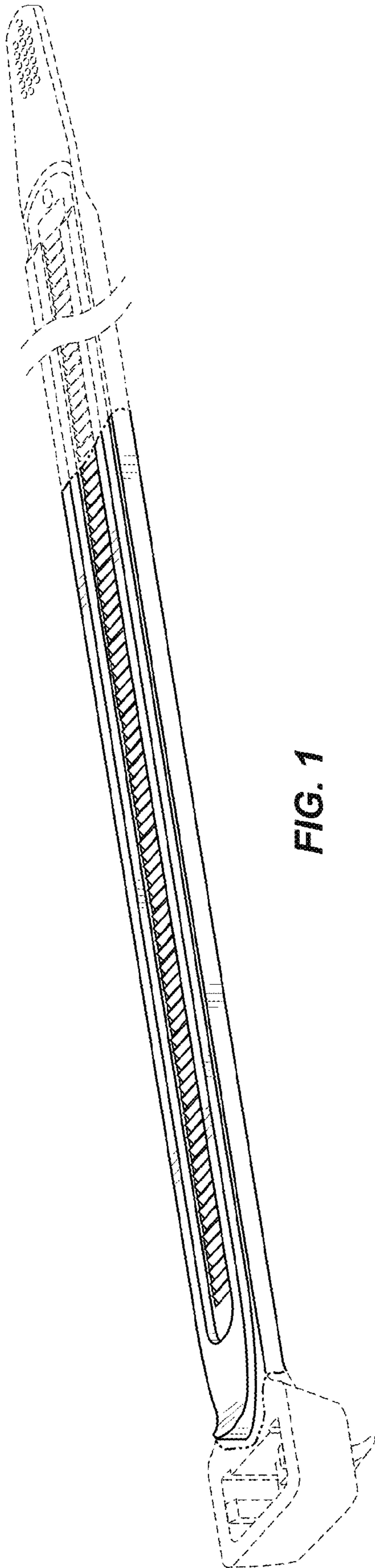


FIG. 1

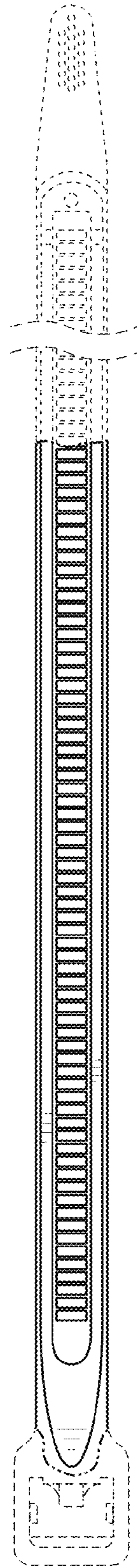


FIG. 2

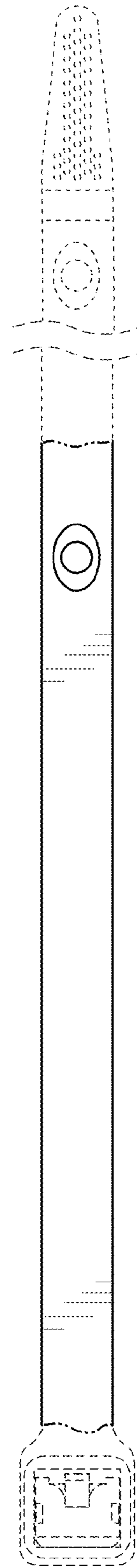


FIG. 3

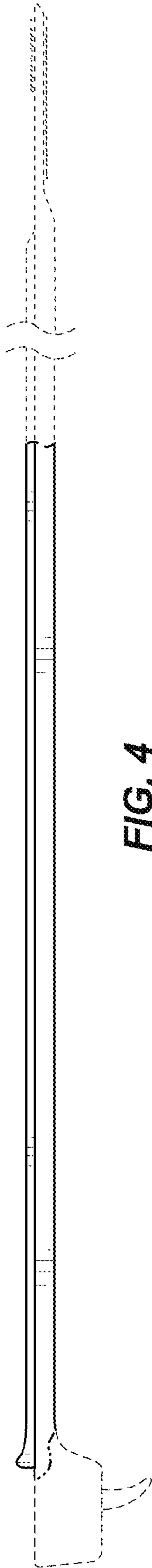


FIG. 4

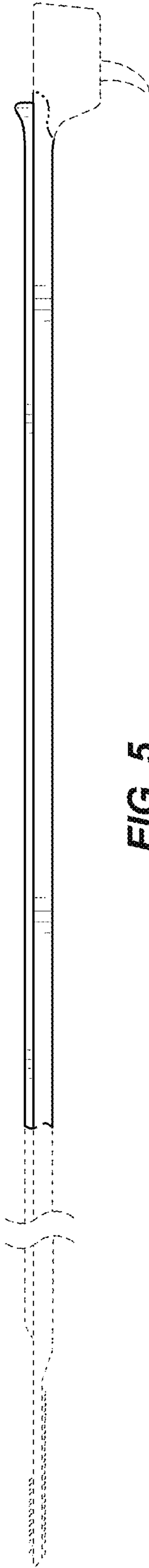


FIG. 5

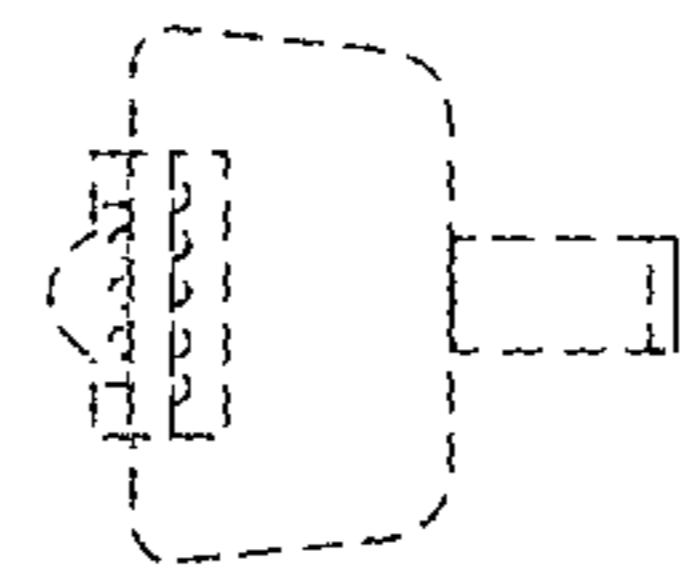


FIG. 6

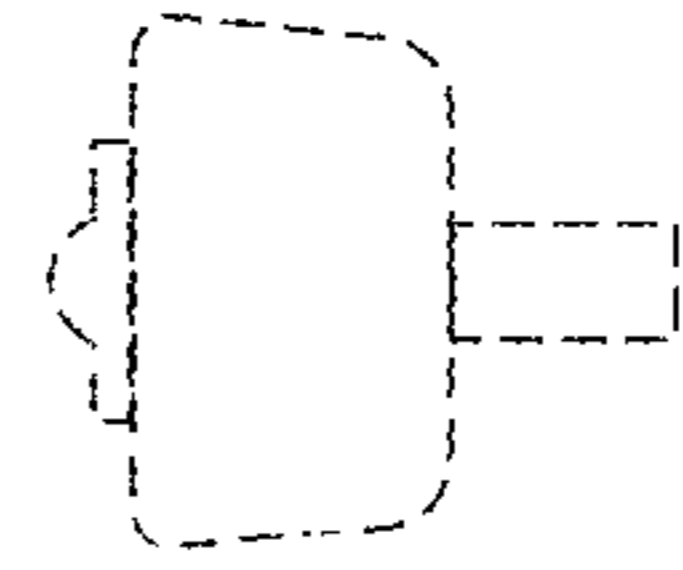


FIG. 7