



US00D865505S

(12) **United States Design Patent** (10) **Patent No.:** **US D865,505 S**  
**Brewer et al.** (45) **Date of Patent:** **\*\* Nov. 5, 2019**

- (54) **POST TENSION CABLE POCKET FORMER**
- (71) Applicant: **C&M Machines LLC**, Rock Hill, SC (US)
- (72) Inventors: **Charles D. Brewer**, York, SC (US);  
**William B. Wilt**, Tega Cay, SC (US)
- (73) Assignee: **C&M Machines LLC**, Rock Hill, SC (US)
- (\*\*) Term: **15 Years**
- (21) Appl. No.: **29/666,451**
- (22) Filed: **Oct. 12, 2018**
- (51) **LOC (12) Cl.** ..... **08-08**
- (52) **U.S. Cl.**  
USPC ..... **D8/383**; D8/382
- (58) **Field of Classification Search**  
USPC ..... D8/14, 44, 47, 71, 72, 349, 354, 356,  
D8/357, 360.1, 382, 383, 394, 396, 499  
CPC ..... B28B 7/28; B28B 7/16; B28B 23/046;  
B28B 23/043; D07B 1/18; D07B 1/005;  
D07B 9/00; D07B 2201/20; D07B  
2201/2083; D07B 2201/2084; D07B  
2201/2085; D07B 2201/2089; E04C 5/12;  
E04C 5/122; E04C 5/125; E04C 5/127;  
F16G 11/00; F16G 11/03; F16G 11/04;  
F16G 11/048; F16G 11/08; F16G 11/10;  
F16G 11/105; F16G 11/108  
See application file for complete search history.

- (56) **References Cited**  
U.S. PATENT DOCUMENTS  
4,362,421 A \* 12/1982 Kelly ..... E04C 5/122  
249/190  
5,253,960 A \* 10/1993 Scott ..... E21D 21/006  
405/259.1  
5,271,199 A \* 12/1993 Northern ..... E04C 5/12  
24/122.6

- 5,423,362 A \* 6/1995 Knight ..... B28B 7/16  
249/142
  - 8,251,757 B1 \* 8/2012 Sun ..... H01R 4/52  
439/783
  - D780,558 S \* 3/2017 Mouthaan ..... D8/354
  - D825,320 S \* 8/2018 Manabe ..... D8/383
  - 10,206,729 B2 \* 2/2019 Pratt ..... A61B 17/82
  - 2006/0033003 A1 \* 2/2006 Watson ..... B28B 7/28  
249/177
  - 2015/0300021 A1 \* 10/2015 Hayes ..... B28B 23/046  
33/700
  - 2015/0330078 A1 \* 11/2015 Sorkin ..... E04B 1/66  
52/223.13
  - 2017/0204607 A1 \* 7/2017 Schmidt ..... E04C 5/122
  - 2018/0030832 A1 \* 2/2018 Abreu ..... E21D 21/008
- (Continued)

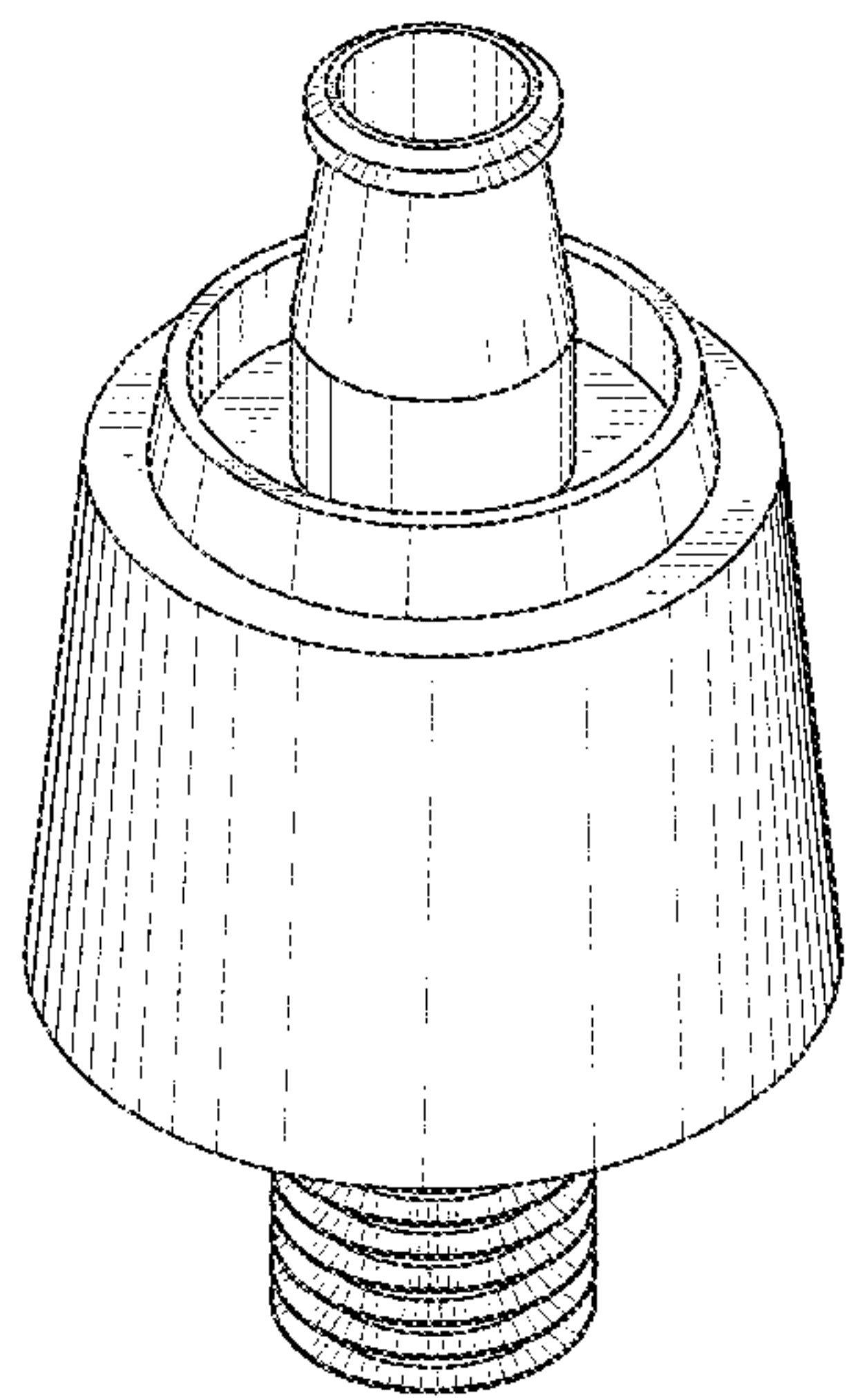
*Primary Examiner* — Sandra S Snapp  
*Assistant Examiner* — Ieisha N Price  
 (74) *Attorney, Agent, or Firm* — Jeffrey Watson; Mathew L. Grell; Grell & Watson Patent Attorneys LLC

(57) **CLAIM**  
 The ornamental design for a post tension cable pocket former, as shown and described.

**DESCRIPTION**

FIG. 1 is a top perspective view of the embodiment of a post tension cable pocket former;  
 FIG. 2 is a bottom perspective view of the post tension cable pocket former of FIG. 1;  
 FIG. 3 is side view of the post tension cable pocket former of FIG. 1, as would be seen from any side of the post tension cable pocket former as the post tension cable pocket former is circular from top to bottom;  
 FIG. 4 is a bottom view of the post tension cable pocket former of FIG. 1;  
 FIG. 5 is a top view of the post tension cable pocket former of FIG. 1; and,  
 FIG. 6 is a cross-sectional view of the post tension cable pocket former of FIG. 1.

**1 Claim, 5 Drawing Sheets**



(56)

**References Cited**

U.S. PATENT DOCUMENTS

2019/0003182 A1\* 1/2019 dos Santos ..... E04C 5/12  
2019/0128375 A1\* 5/2019 Benavidez ..... F16G 11/14  
2019/0145103 A1\* 5/2019 Brewer ..... E04C 5/12

\* cited by examiner

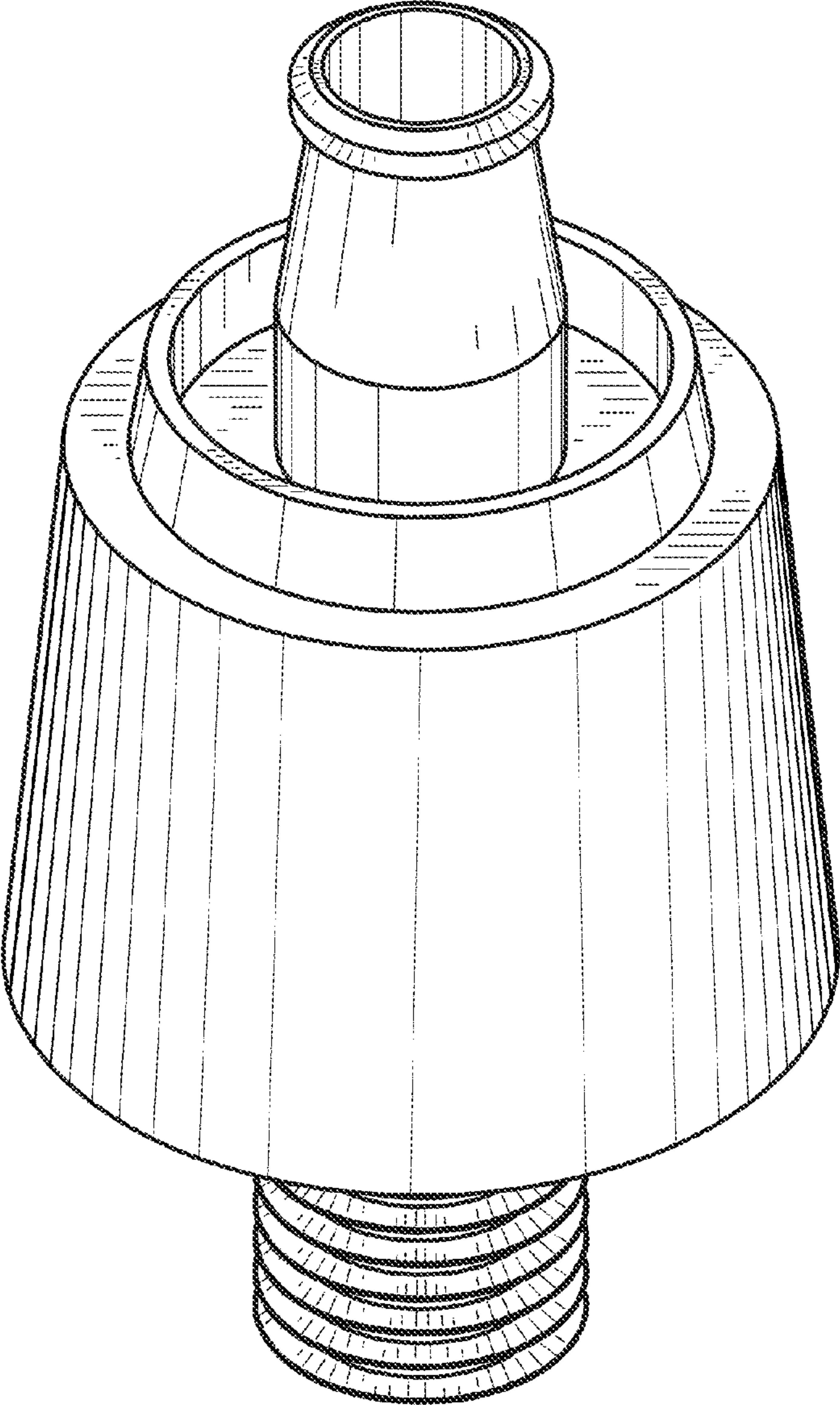


FIG. 1

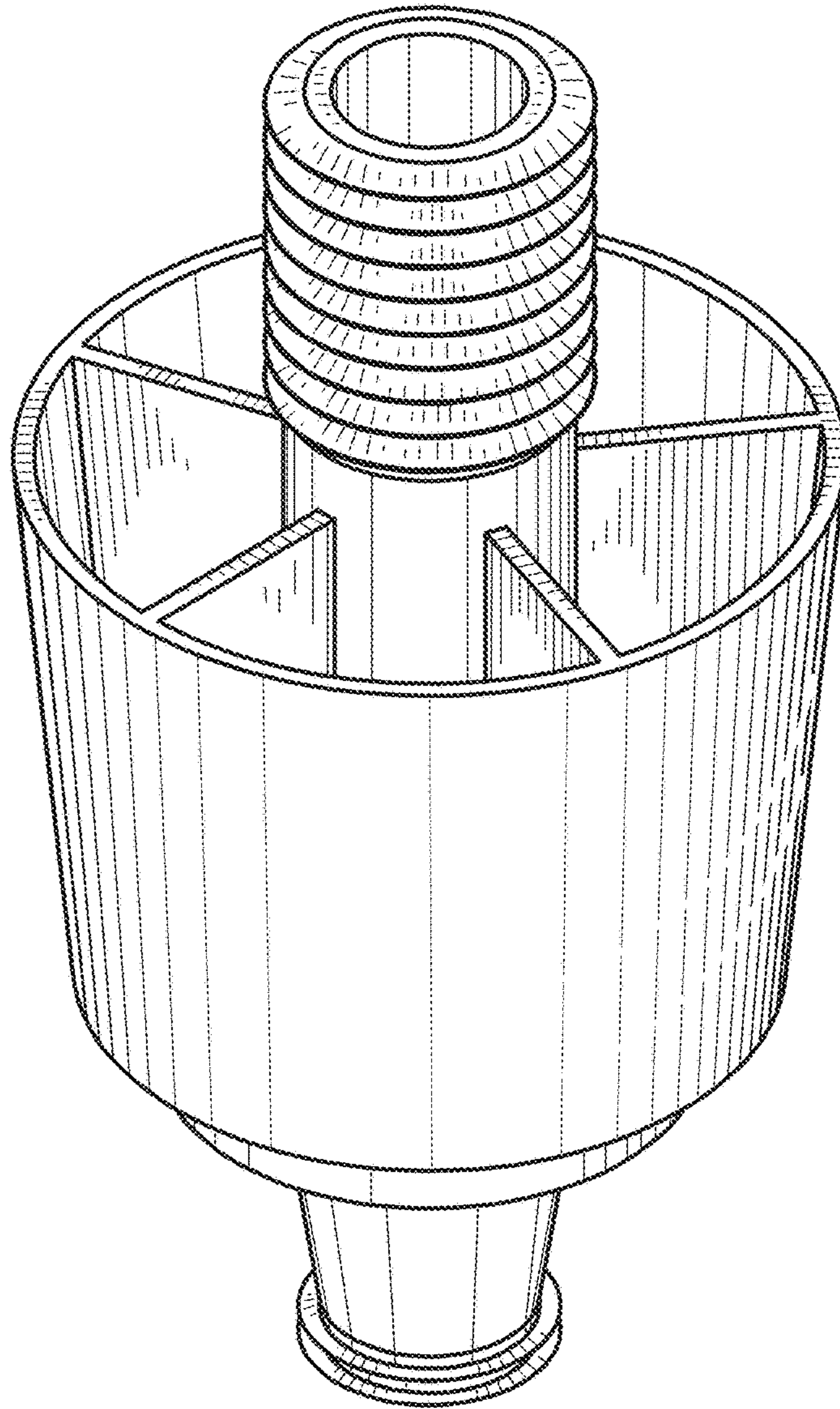


FIG. 2



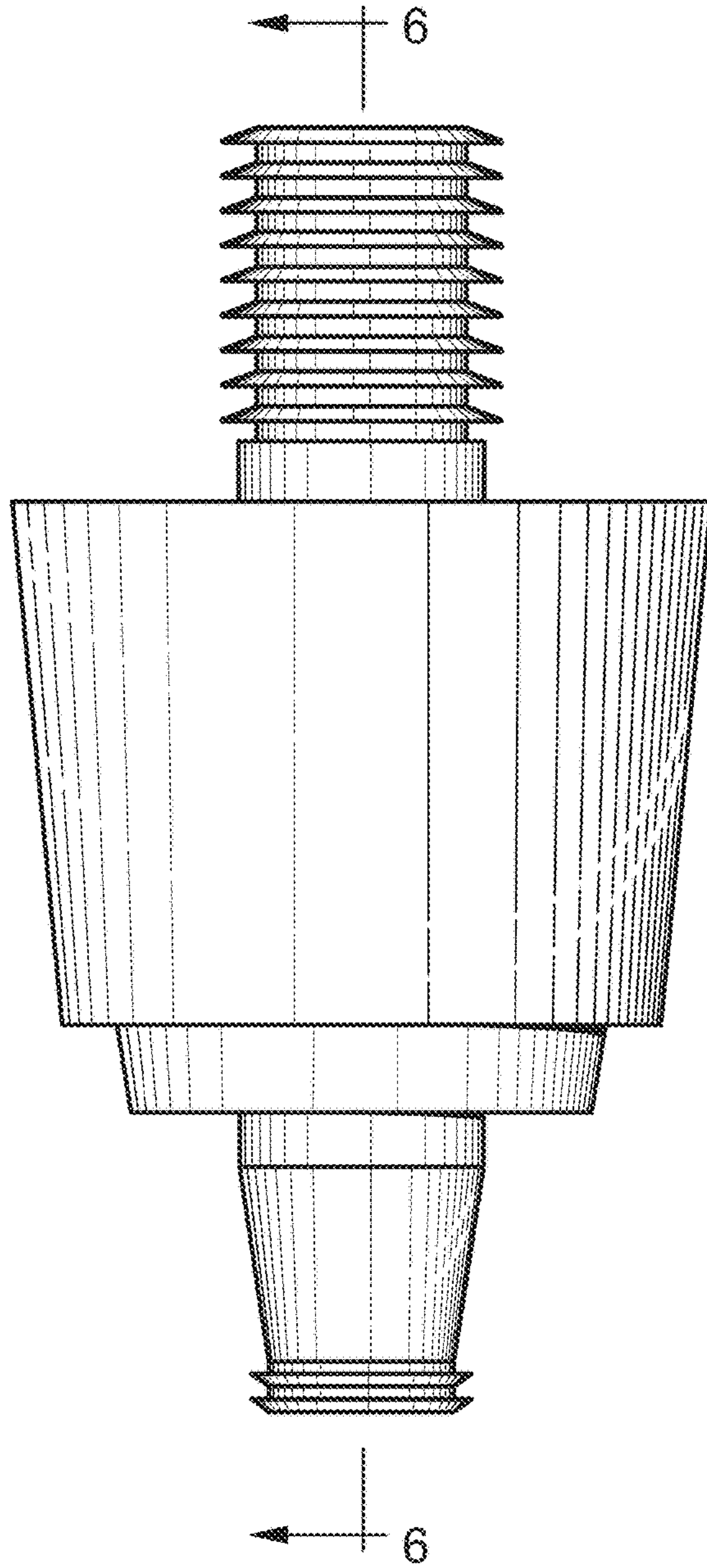


FIG. 3

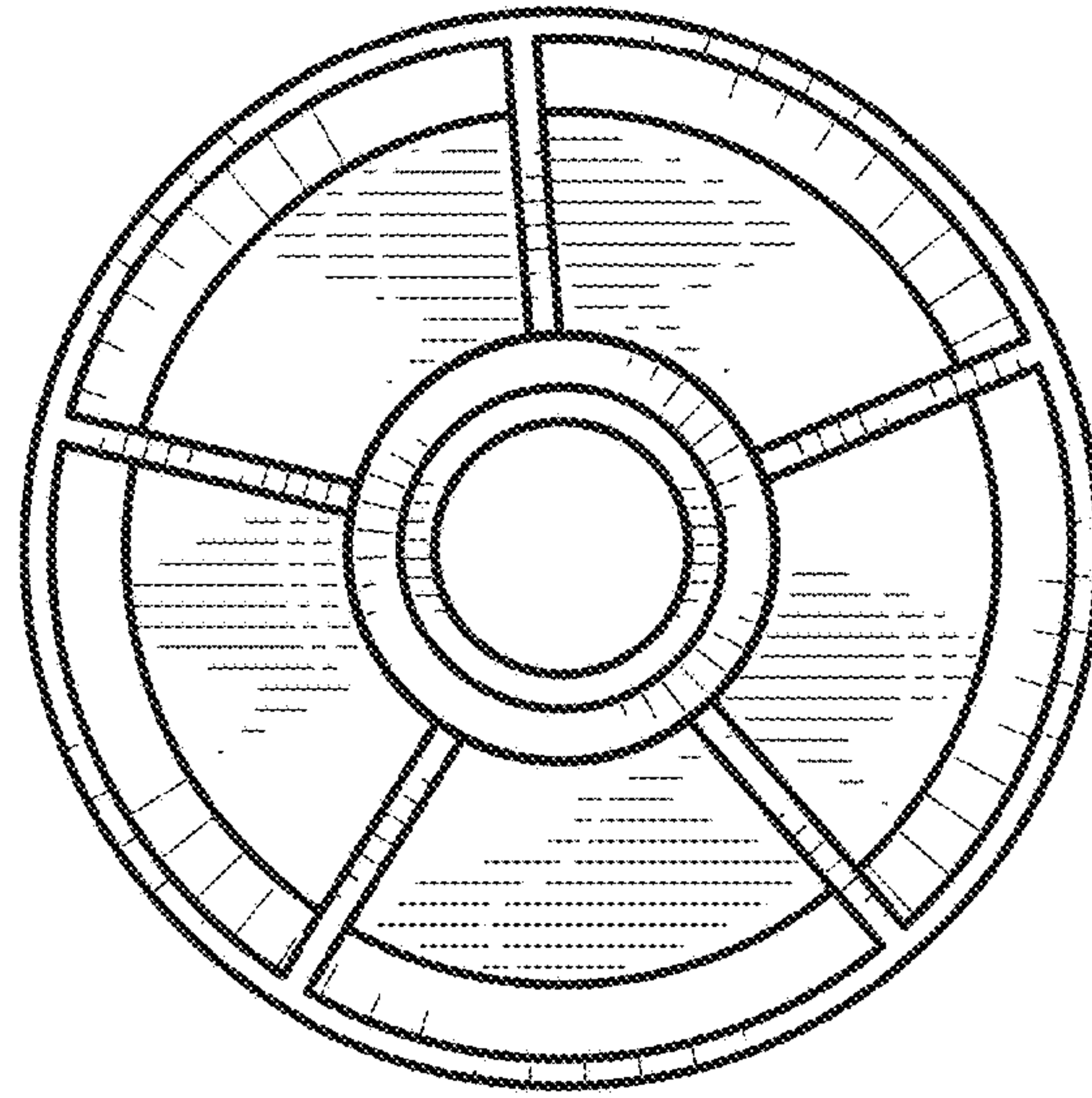


FIG. 4

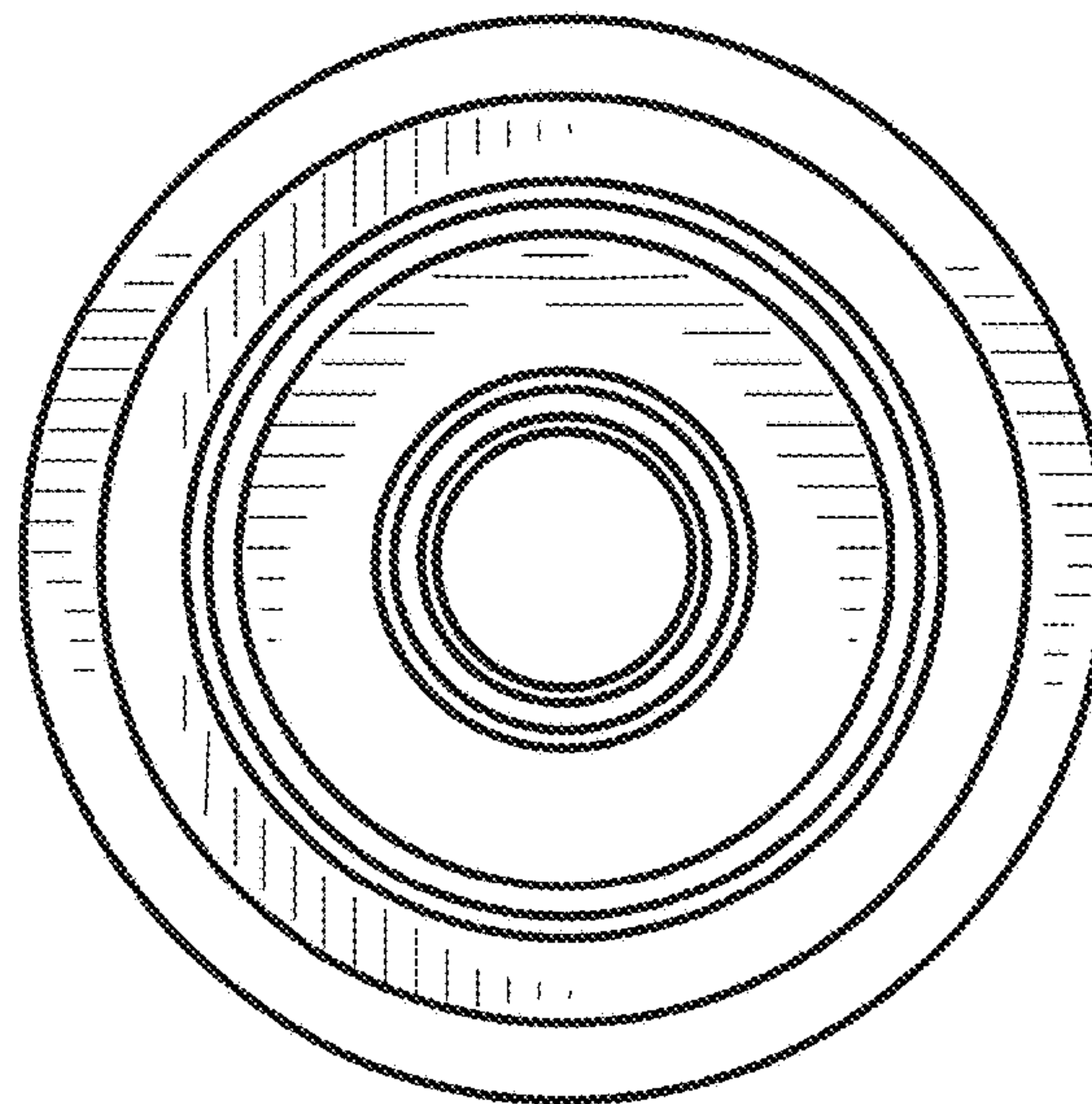


FIG. 5

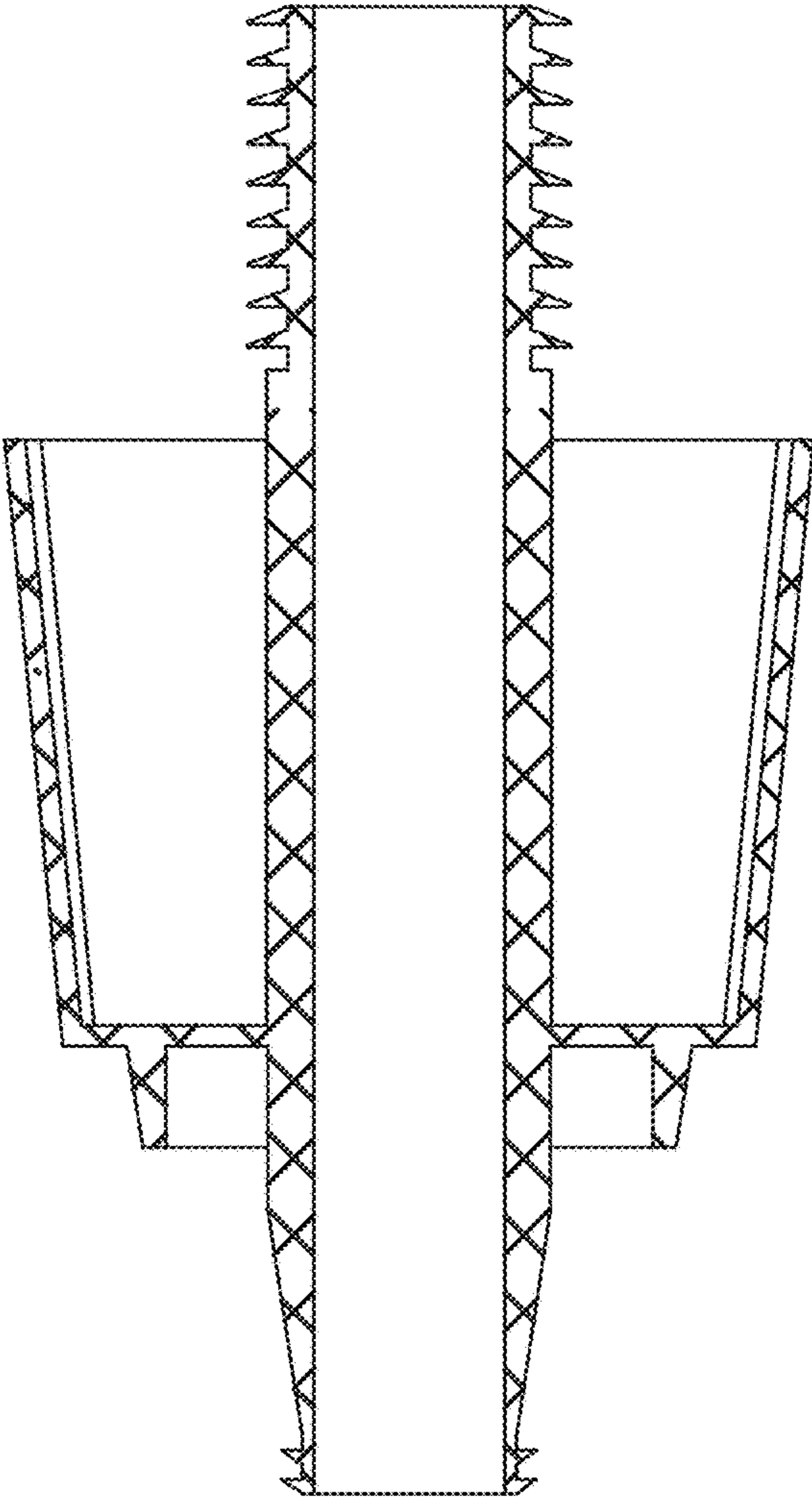


FIG. 6