



US00D865504S

(12) **United States Design Patent**
Tribbett

(10) **Patent No.:** **US D865,504 S**

(45) **Date of Patent:** **** Nov. 5, 2019**

(54) **COUPLING ARTICLE**

(71) Applicant: **Stephen LaMont Tribbett**, Dallas, TX
(US)

(72) Inventor: **Stephen LaMont Tribbett**, Dallas, TX
(US)

(**) Term: **15 Years**

(21) Appl. No.: **29/658,161**

(22) Filed: **Jul. 28, 2018**

Related U.S. Application Data

(62) Division of application No. 29/610,645, filed on Jul. 13, 2017.

(51) **LOC (12) Cl.** **08-08**

(52) **U.S. Cl.**
USPC **D8/383**; D8/356

(58) **Field of Classification Search**
USPC ... D8/71, 349, 354, 356, 382, 383, 394, 499
CPC F16G 11/00; F16G 11/02; F16G 11/103;
F16G 11/046; F16G 11/048; F16G
11/105; Y10T 24/39; Y10T 24/3971;
Y10T 24/3713; Y10T 24/44222
See application file for complete search history.

(56) **References Cited**

U.S. PATENT DOCUMENTS

- 2,229,935 A * 1/1941 Powers E04H 15/322
24/129 B
- 3,432,129 A * 3/1969 Santucci F16L 3/237
24/343
- 4,355,444 A * 10/1982 Haney F16G 11/143
24/129 B
- D292,385 S * 10/1987 Udelhofen D11/210
- 5,232,193 A * 8/1993 Skakoon A61M 5/1418
24/130
- D406,749 S * 3/1999 Selk D8/356

- 6,012,940 A * 1/2000 Wheeler H01R 13/6392
439/369
- D420,568 S * 2/2000 Repmann D8/382
- 6,405,414 B1 * 6/2002 Byrnes A61M 25/00
24/339
- H2203 H * 10/2007 Borchardt D8/396
- D581,255 S * 11/2008 Calvin D8/356
- D592,039 S * 5/2009 Okuda D8/356
- D639,145 S * 6/2011 Hoek D8/356
- D667,719 S * 9/2012 Wong D8/356
- D702,105 S * 4/2014 Weinberg D8/356
- D717,157 S * 11/2014 Widdows D8/356
- D731,296 S * 6/2015 Nelson D8/356
- D732,933 S * 6/2015 Jansen D8/356
- D827,417 S * 9/2018 Nelson D8/356
- 2010/0132979 A1 * 6/2010 Chen F16L 3/223
174/135
- 2010/0204731 A1 * 8/2010 Hart A61B 17/0401
606/232

(Continued)

Primary Examiner — Sandra S Snapp

Assistant Examiner — Ieisha N Price

(57) **CLAIM**

The ornamental design for a coupling article, as shown and described.

DESCRIPTION

FIG. 1 is a perspective view of the embodiment of a coupling article;

FIG. 2 is a top plan view of FIG. 1;

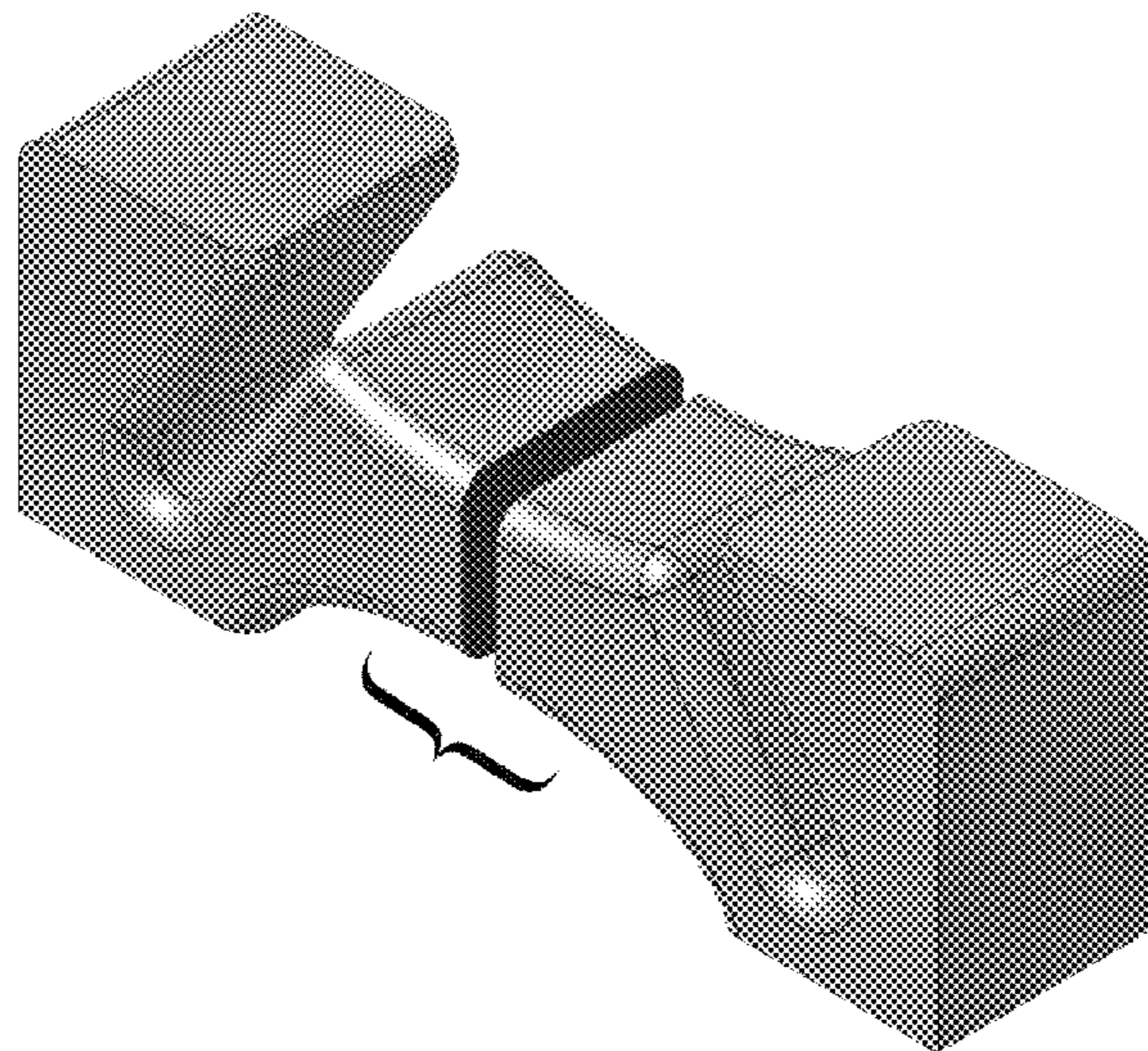
FIG. 3 is a front elevational view of FIG. 1, the rear elevational view being a mirror image;

FIG. 4 is a right side elevational view of FIG. 1, the left side elevational being a mirror image; and,

FIG. 5 is a bottom plan view of FIG. 1.

The coupling article is shown with a symbolic break in its length. The appearance of any portion of the article between the break lines forms no part of the claimed design.

1 Claim, 1 Drawing Sheet



(56)

References Cited

U.S. PATENT DOCUMENTS

2016/0355121 A1* 12/2016 Gertsma B60P 7/0846
2017/0247153 A1* 8/2017 Tribbett B65D 63/08

* cited by examiner

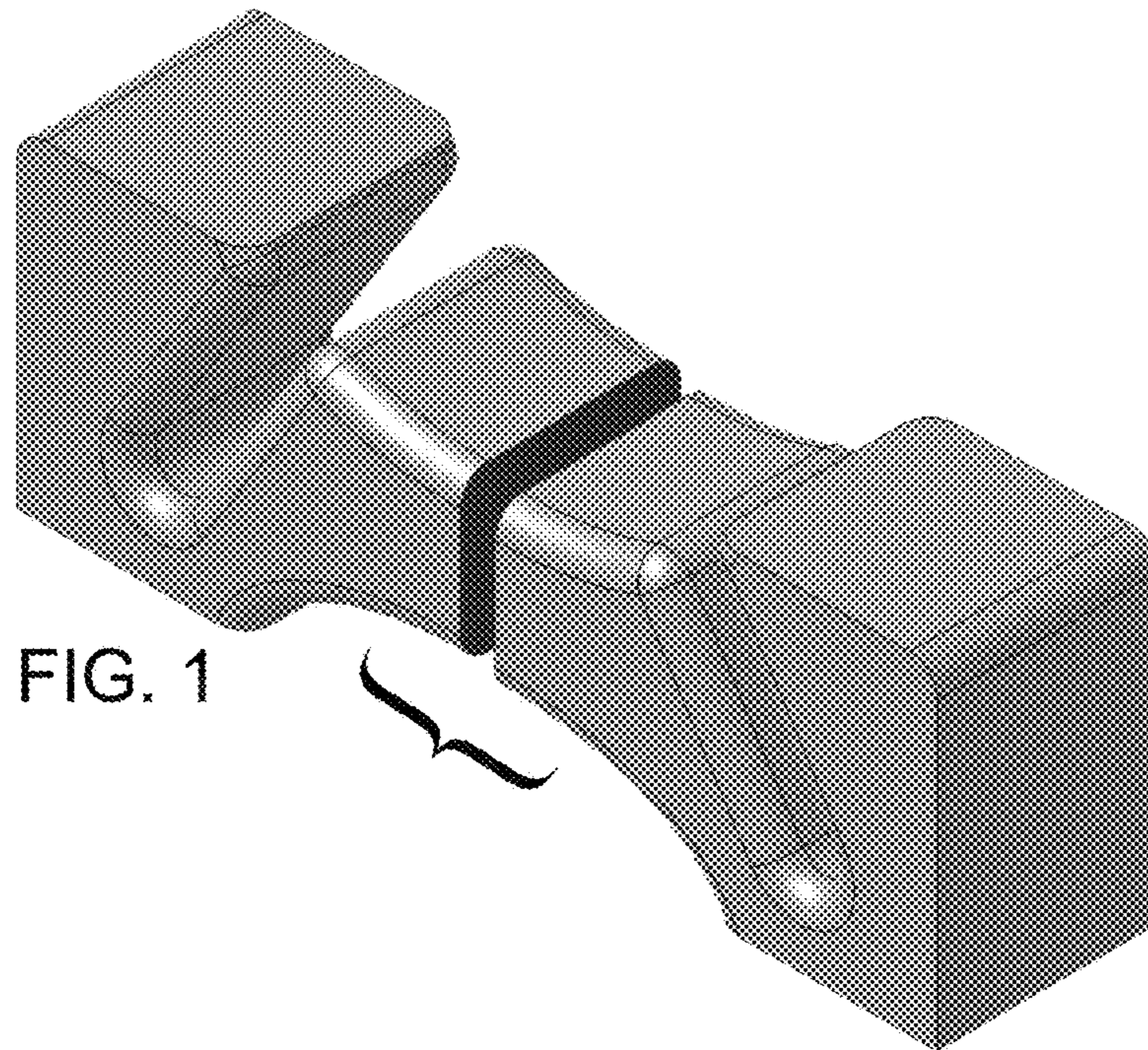


FIG. 1

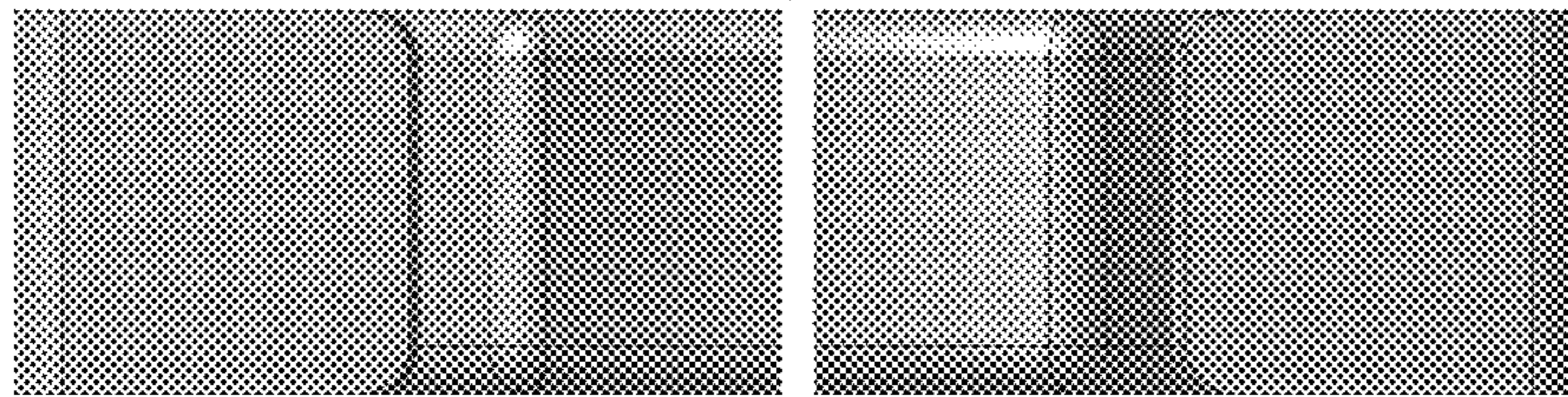


FIG. 2

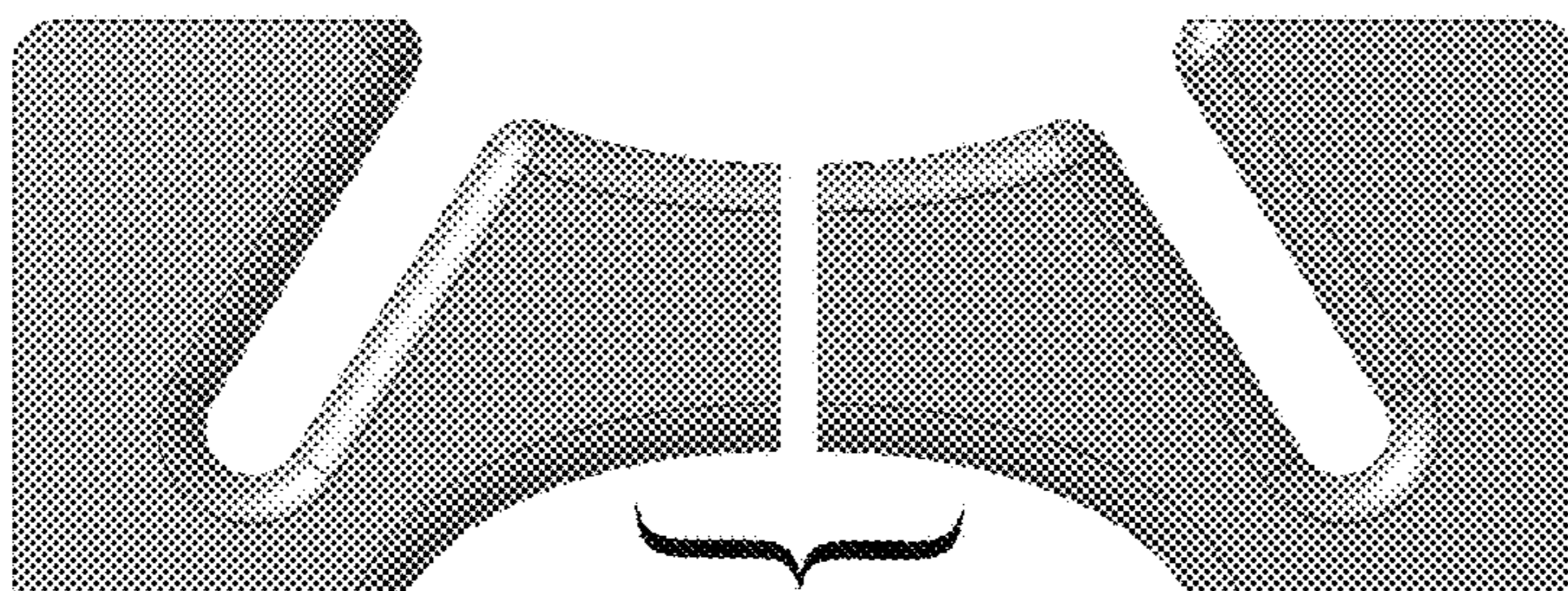


FIG. 3

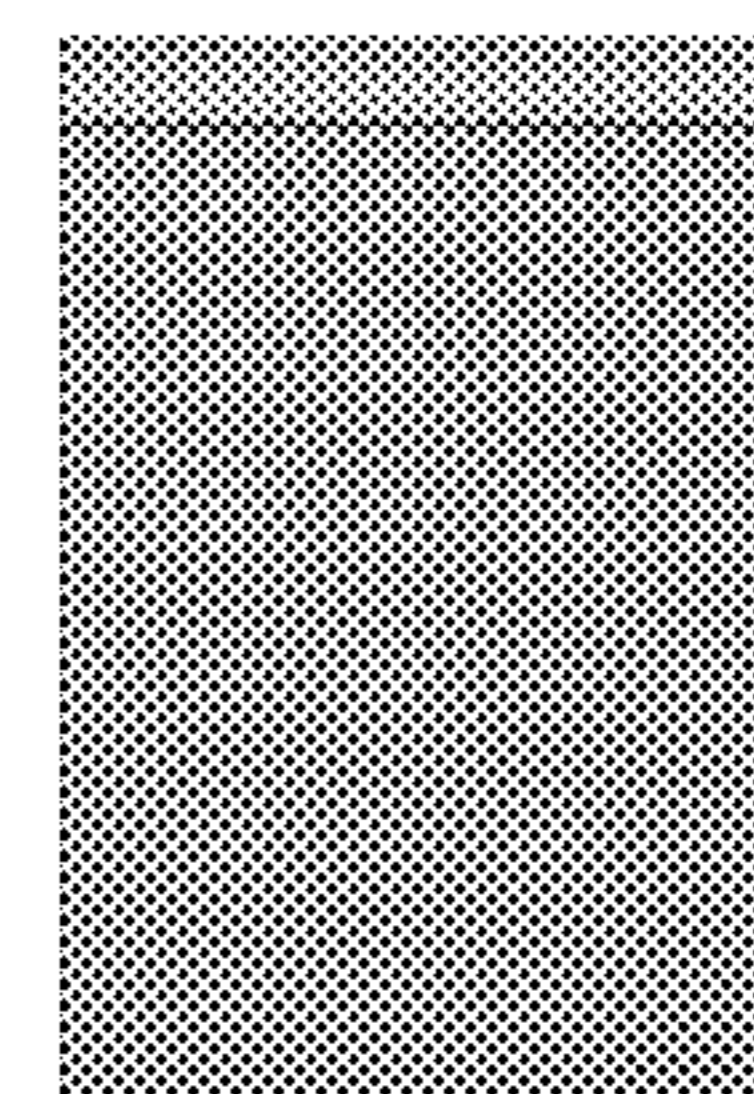


FIG. 4

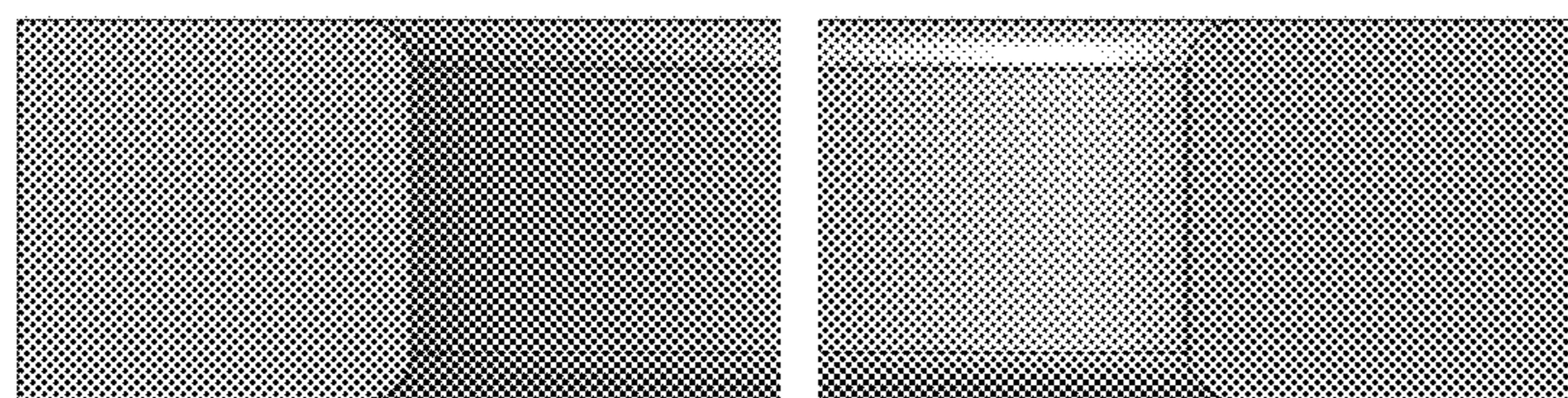


FIG. 5