



US00D865502S

(12) **United States Design Patent** (10) **Patent No.:** **US D865,502 S**  
**Stener** (45) **Date of Patent:** **\*\* Nov. 5, 2019**

(54) **RAIL MOUNT**

FOREIGN PATENT DOCUMENTS

(71) Applicant: **Wild West Investments, LLC**, Dallas, TX (US)

WO 2011096107 A1 8/2011

(72) Inventor: **Gavin Stener**, Dallas, TX (US)

OTHER PUBLICATIONS

(73) Assignee: **Wild West Investments, LLC**, Dallas, TX (US)

Kayak Mount—RAM Mounts 1" Ball Track Adapter, www.youtube.com, published Feb. 28, 2013, 1 page.

(\*\*) Term: **15 Years**

(Continued)

(21) Appl. No.: **29/691,526**

*Primary Examiner* — Katie Jane Stofko

(22) Filed: **May 16, 2019**

(74) *Attorney, Agent, or Firm* — Dentons US LLP

(51) **LOC (12) Cl.** ..... **08-05**

(57) **CLAIM**

(52) **U.S. Cl.**  
USPC ..... **D8/380**

An ornamental design for a rail mount, as shown and described.

(58) **Field of Classification Search**

**DESCRIPTION**

USPC ..... D14/371–382, 125–129, 336, 337, D14/447–452, 492, 335, 239, 457, D14/439–441, 432, 251–253, 413; D8/349, 354, 363, 373, 376, 380; D21/333; D12/415; D3/218; 348/180, 348/184, 325, 739, 825; 248/323, 278.1, 248/286.1, 133; D25/119

FIG. 1 is a top, front, left perspective view of a first embodiment of a rail mount;  
FIG. 2 is a front elevational view thereof;  
FIG. 3 is a rear elevational view thereof;  
FIG. 4 is a left side elevational view thereof;  
FIG. 5 is a right side elevational view thereof;  
FIG. 6 is a top view thereof;  
FIG. 7 is a bottom view thereof;  
FIG. 8 is a bottom, front, right perspective view thereof;  
FIG. 9 is a top, front, left perspective view of a second embodiment of a rail mount;  
FIG. 10 is a front elevational view thereof;  
FIG. 11 is a rear elevational view thereof;  
FIG. 12 is a left side elevational view thereof;  
FIG. 13 is a right side elevational view thereof;  
FIG. 14 is a top view thereof;  
FIG. 15 is a bottom view thereof; and,  
FIG. 16 is a bottom, front, right perspective view thereof.  
The broken lines shown as dashed lines are for the purpose of illustrating unclaimed structure, and form no part of the claimed design.

CPC ..... G06F 3/0412; G06F 3/016; G06F 3/0488; G06F 3/011; G06F 3/038; G06F 3/03543; G06F 3/0338; G06F 3/0202; G06F 3/0219; G06F 3/0213; G06F 1/1616; G06F 3/023; G06F 3/04883; G02F 1/13338; G02F 1/1313; G02F 1/1333; G02F 1/135; G02F 1/132; G02F 1/133308; G02F 1/134309; G02F 1/13718; G09G 3/3648; G06K 15/1252; B41J 2/465; G03F 7/70291; G02B

(Continued)

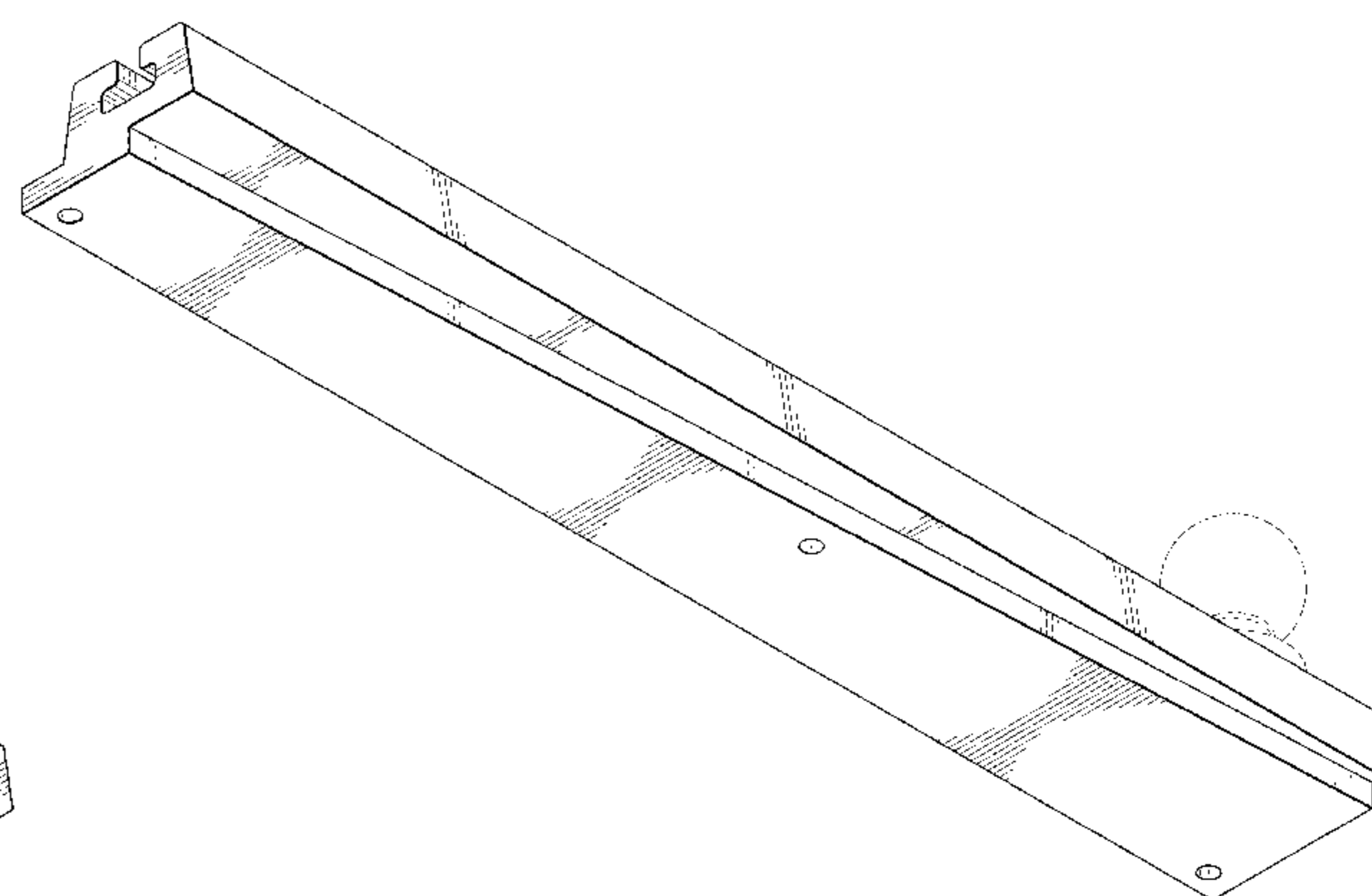
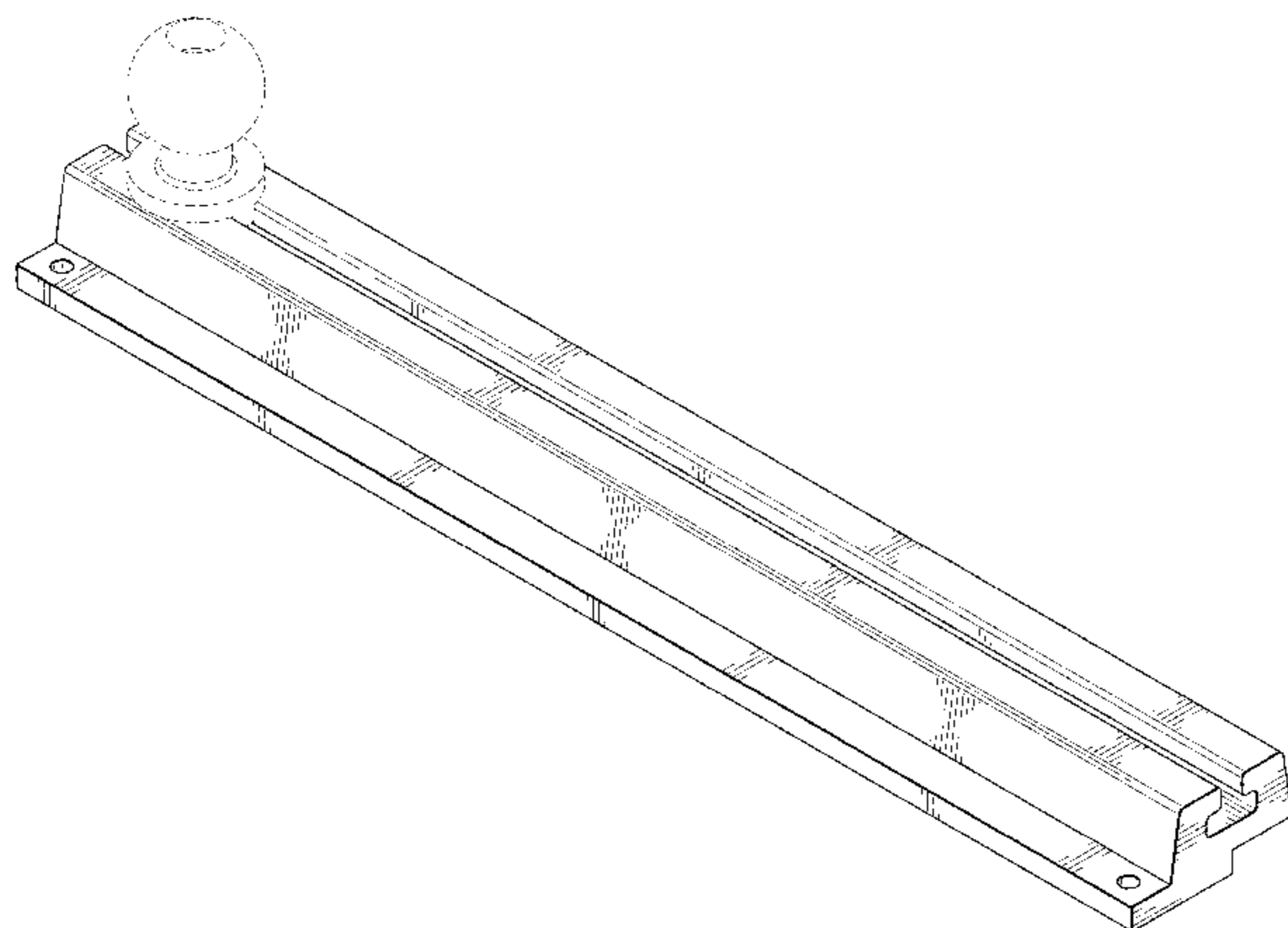
(56) **References Cited**

**1 Claim, 10 Drawing Sheets**

U.S. PATENT DOCUMENTS

7,401,995 B2 \* 7/2008 Senakiewich, II .... B60P 7/0815 403/374.4

D592,487 S \* 5/2009 Tedesco ..... D8/349 (Continued)



(58) **Field of Classification Search**

CPC ..... 27/0172; G02B 5/30; G02B 2027/0118;  
 G02B 27/0101; F16M 13/02; F16M  
 13/00; F16M 11/10; F16M 11/04; F16M  
 2200/08; F16M 11/2021; A47B 21/0314;  
 A47B 88/044; A47B 2021/0335; H02G  
 3/126; F16B 47/00; F16B 47/006; A47G  
 1/17; A47K 2201/00

See application file for complete search history.

(56) **References Cited**

U.S. PATENT DOCUMENTS

D718,881 S *	12/2014	Fannan .....	D25/119
D732,698 S *	6/2015	Meng .....	D25/61
D741,689 S *	10/2015	Metzler .....	D8/349
D767,381 S *	9/2016	Libreiro .....	D25/119
D767,382 S *	9/2016	Libreiro .....	D25/119
9,671,060 B1 *	6/2017	Cifers .....	F16M 13/02
D810,962 S *	2/2018	McGowan .....	D25/119
D843,199 S *	3/2019	Stener .....	D8/380

D845,117 S *	4/2019	Stener .....	D8/380
2012/0045276 A1 *	2/2012	Carnevali .....	F16B 7/20 403/350
2013/0248668 A1 *	9/2013	Lu .....	H02S 20/00 248/222.14
2018/0347749 A1	12/2018	Carnevali	
2018/0363842 A1	12/2018	Carnevali	

OTHER PUBLICATIONS

Gear Track Rod Holder, Product Search—AustinKayak; [https://www.austinkayak.com/search?q=gear track rod holder](https://www.austinkayak.com/search?q=gear%20track%20rod%20holder), retrieved May 16, 2019, 5 pages.

RAM 1.5 Inch Diameter Track Rail Kayak Mounting Base with T-Bolt Attachment, [www.themountdepot.com/RAP\\_354U\\_TRA1\\_p/rap-354u-tra1.htm](http://www.themountdepot.com/RAP_354U_TRA1_p/rap-354u-tra1.htm), retrieved May 16, 2019, 1 page.

T4 Gardinen Schienensystem, (<http://kaec.site>) [kaec.site/5r-gardinen-schienensystem.html](http://kaec.site/5r-gardinen-schienensystem.html), retrieved May 16, 2019, 1 page.

T-Slot Ground Rail, [https://www.alibaba.com/product-detail/T-slot-ground-rail\\_60101541933.html](https://www.alibaba.com/product-detail/T-slot-ground-rail_60101541933.html), retrieved May 16, 2019, 2 pages.

\* cited by examiner

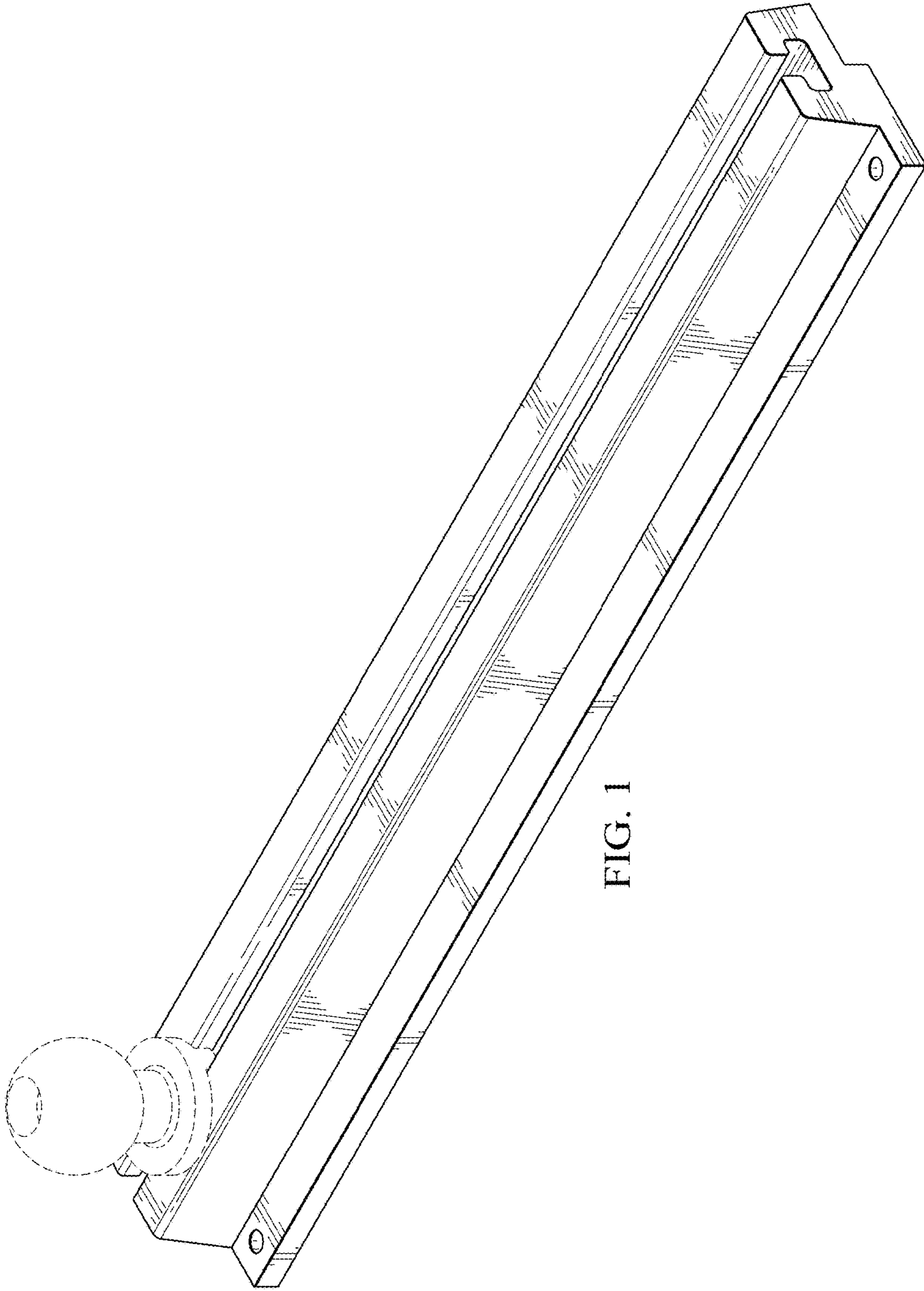


FIG. 1

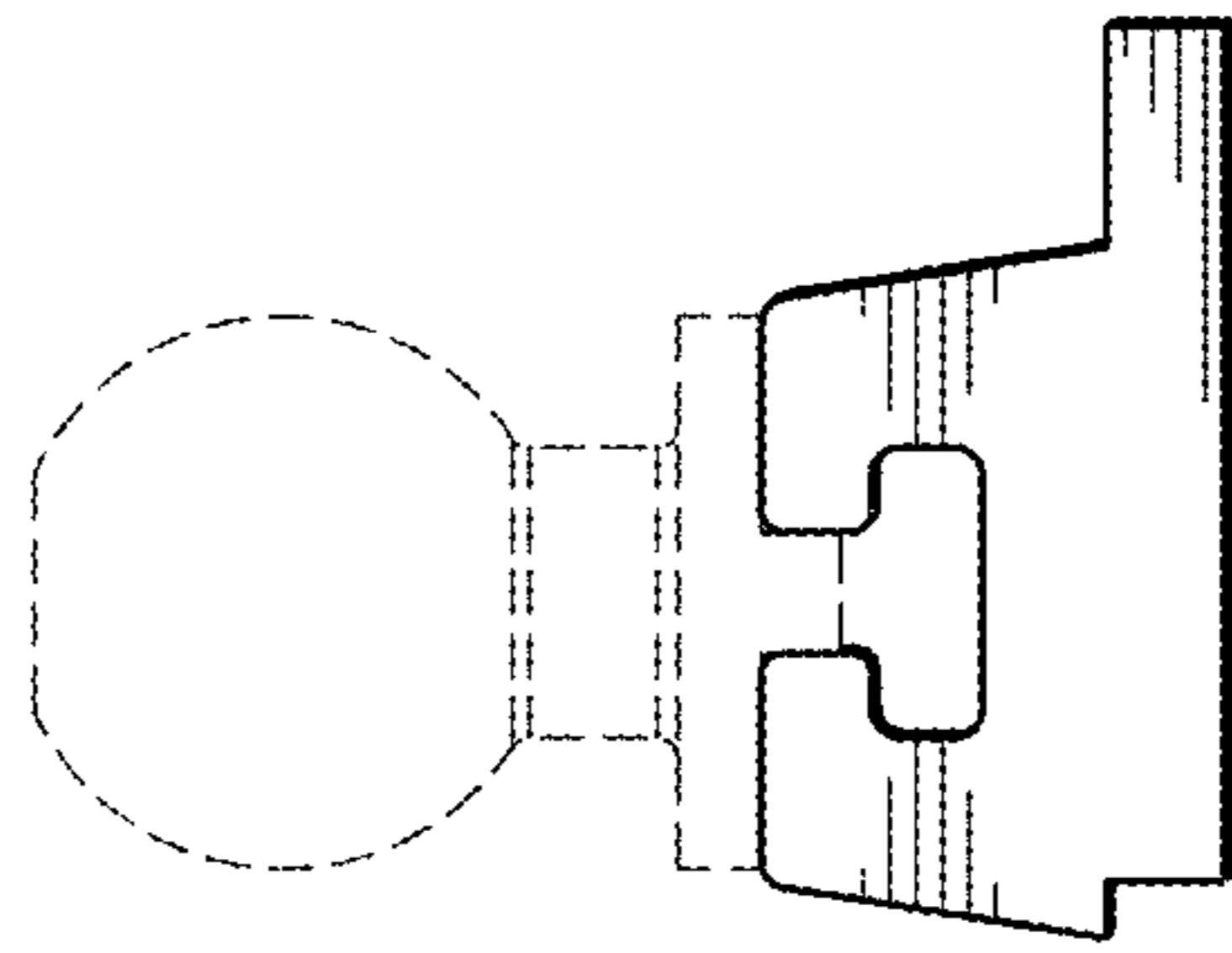


FIG. 3

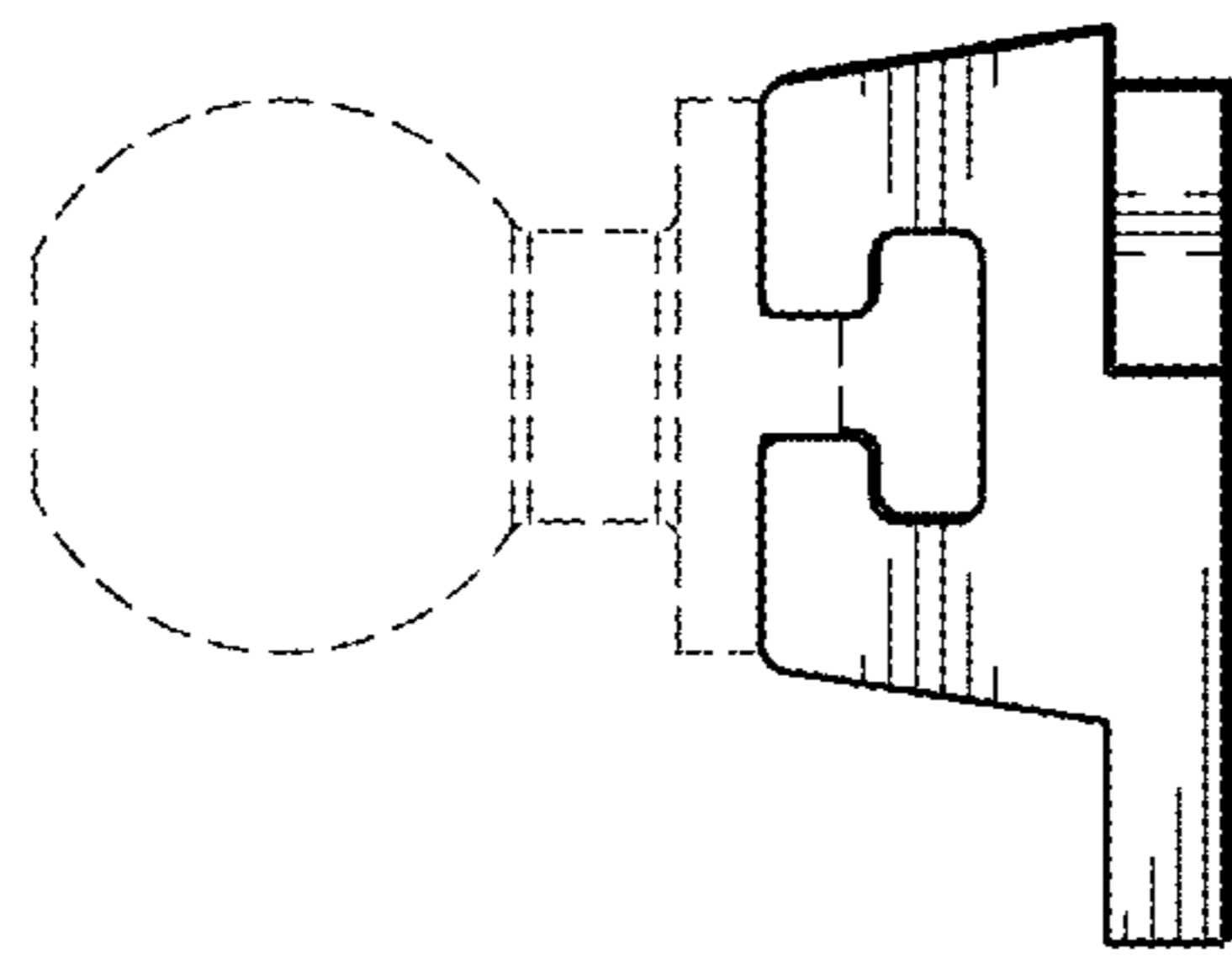


FIG. 2



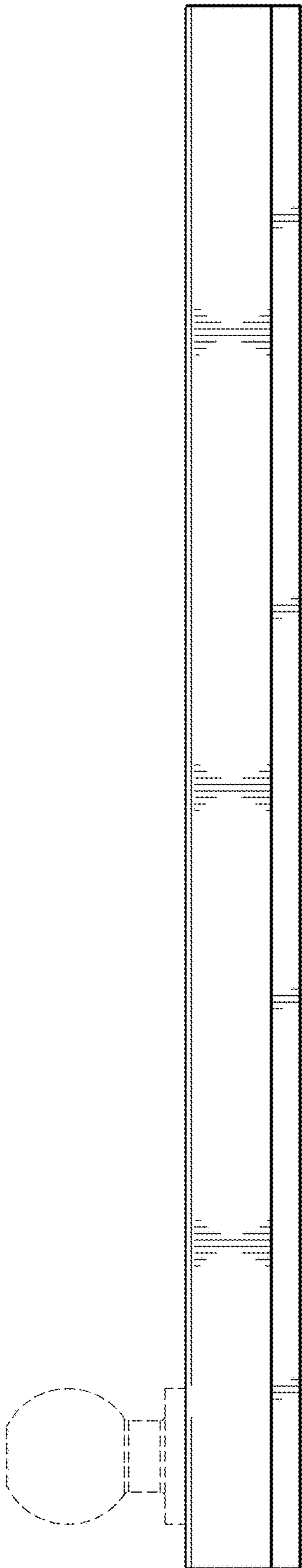


FIG. 4

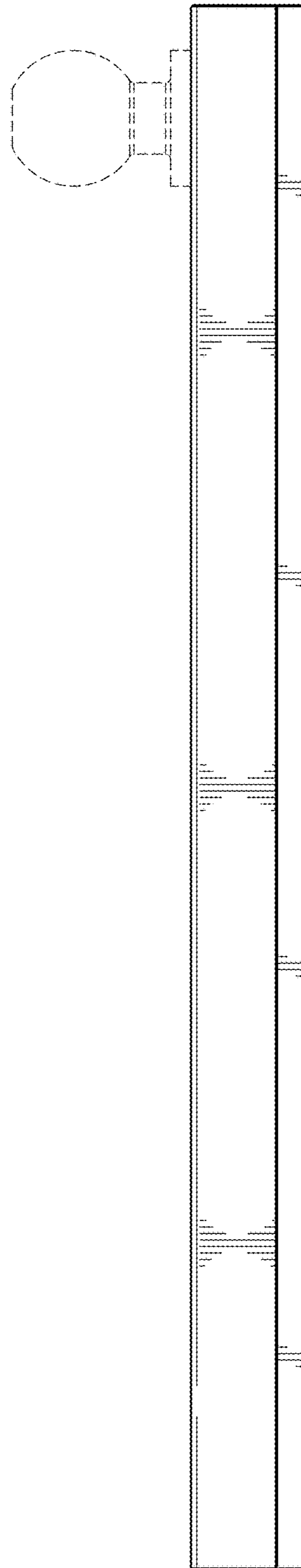


FIG. 5

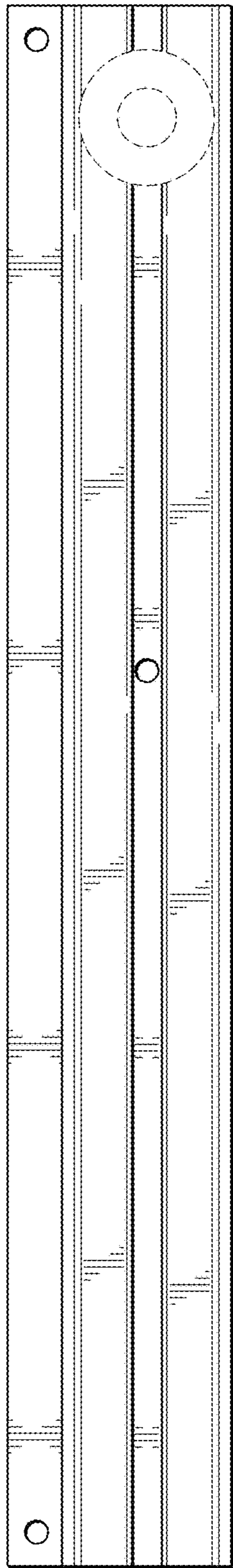


FIG. 6

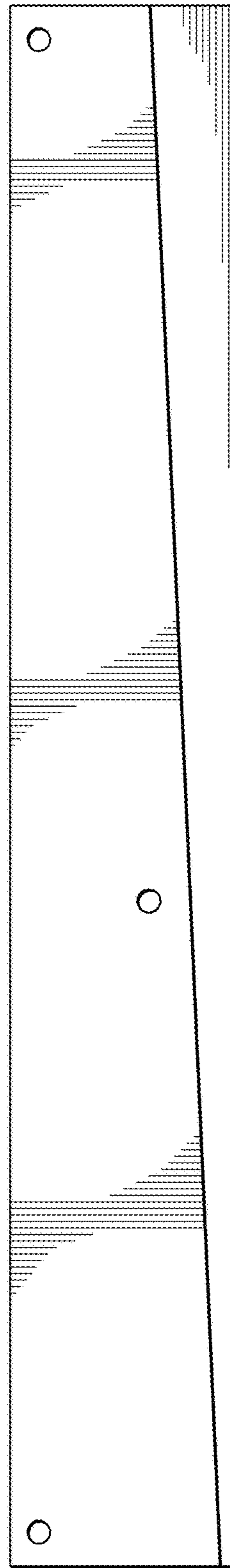


FIG. 7

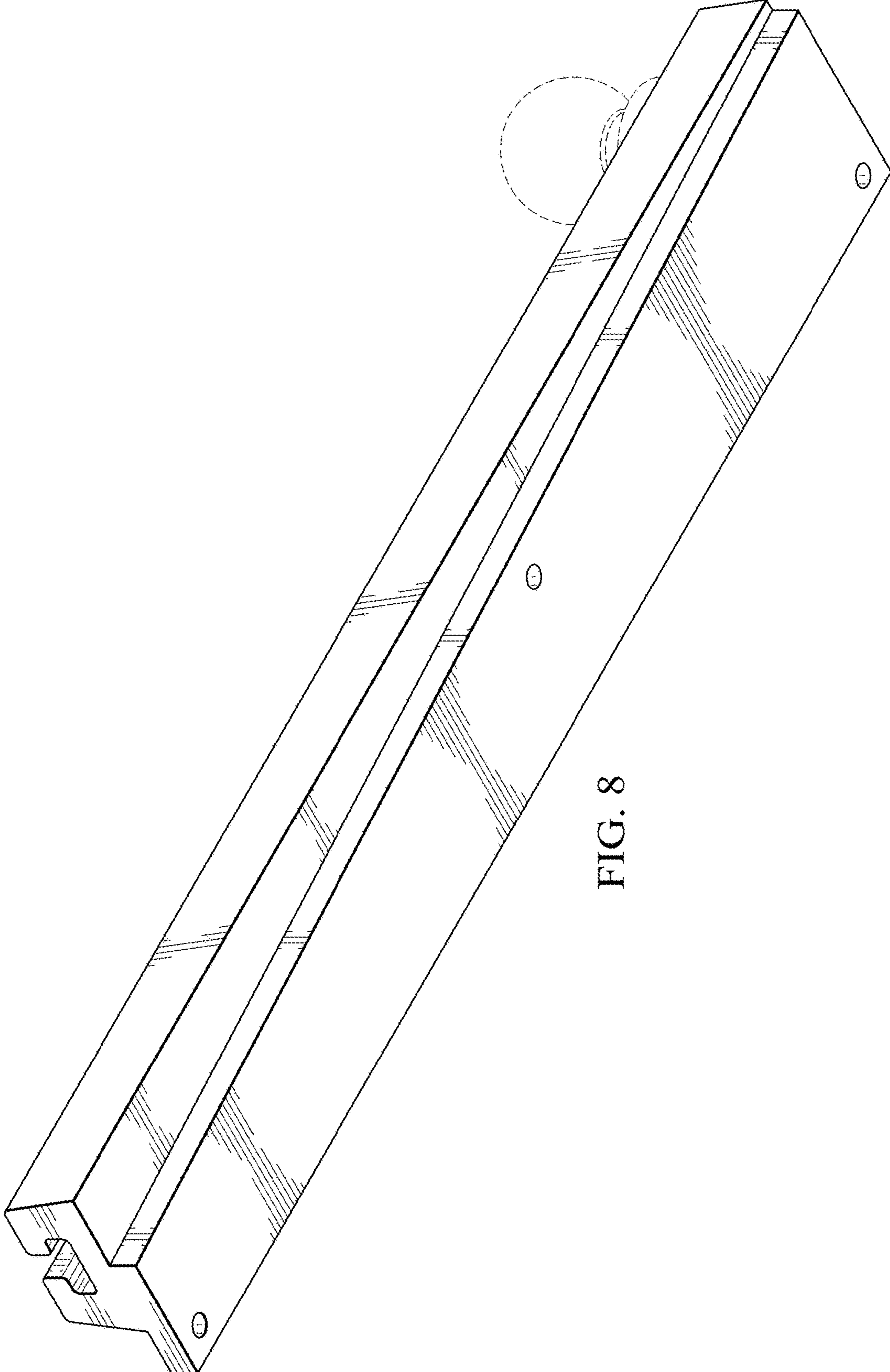


FIG. 8

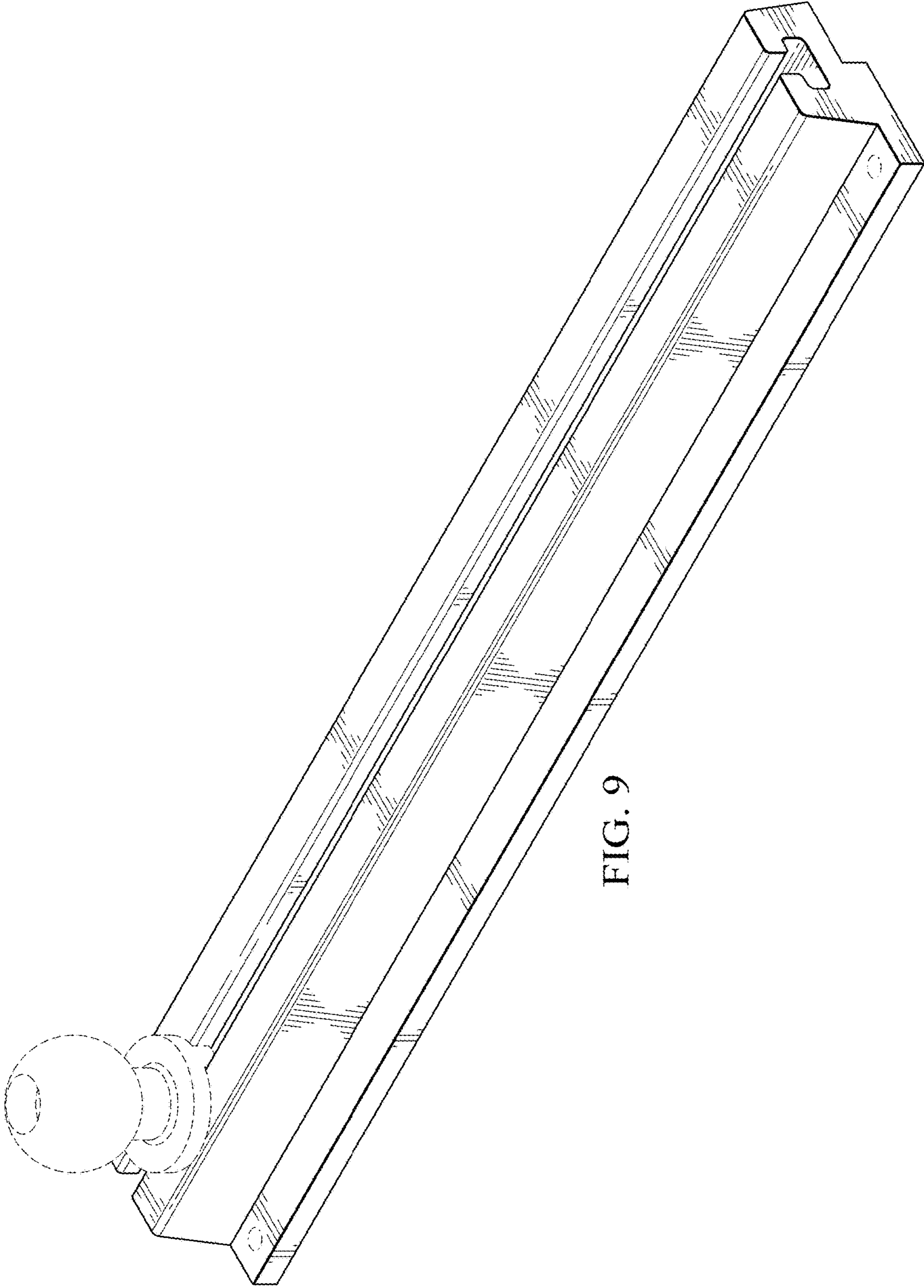


FIG. 9



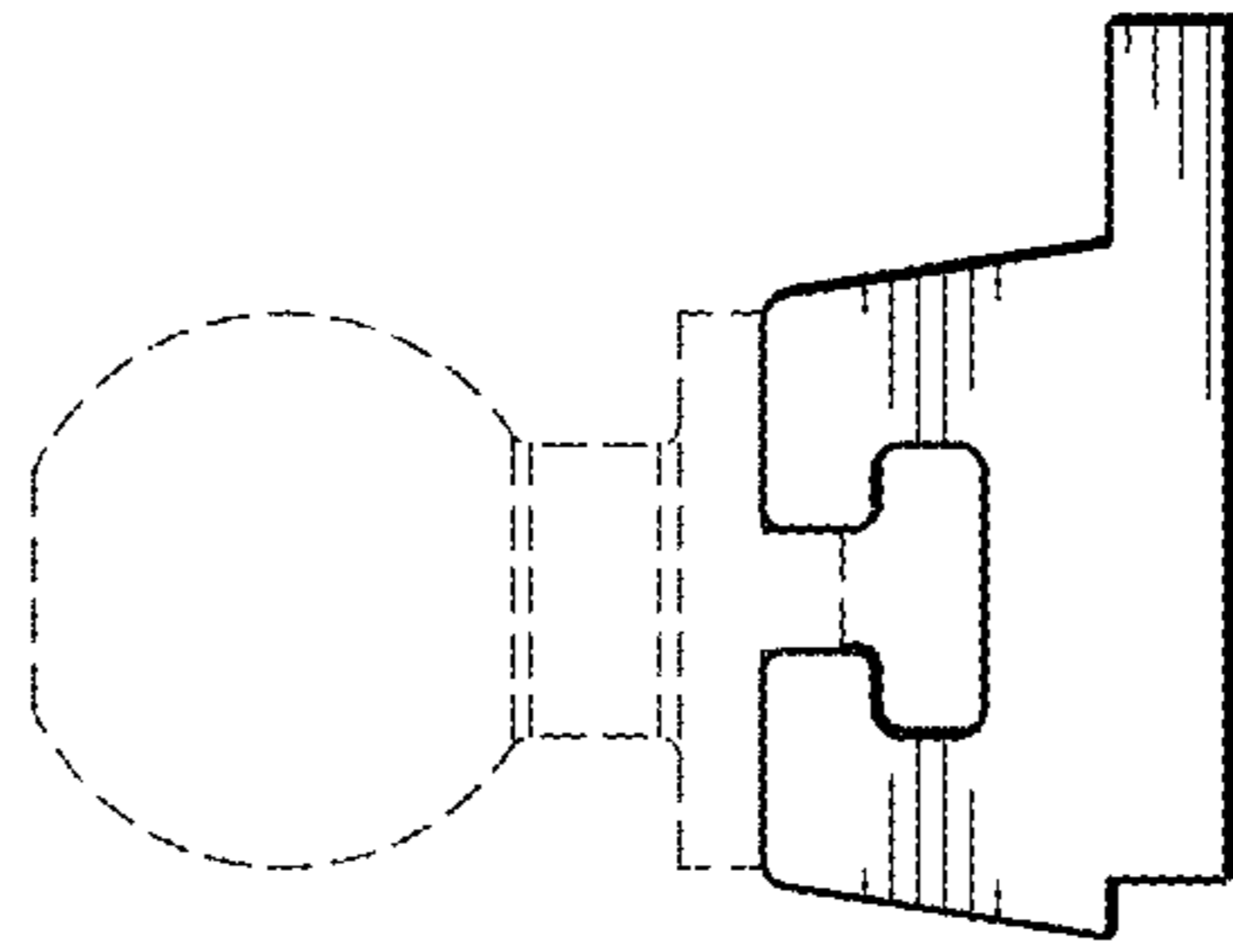


FIG. 11

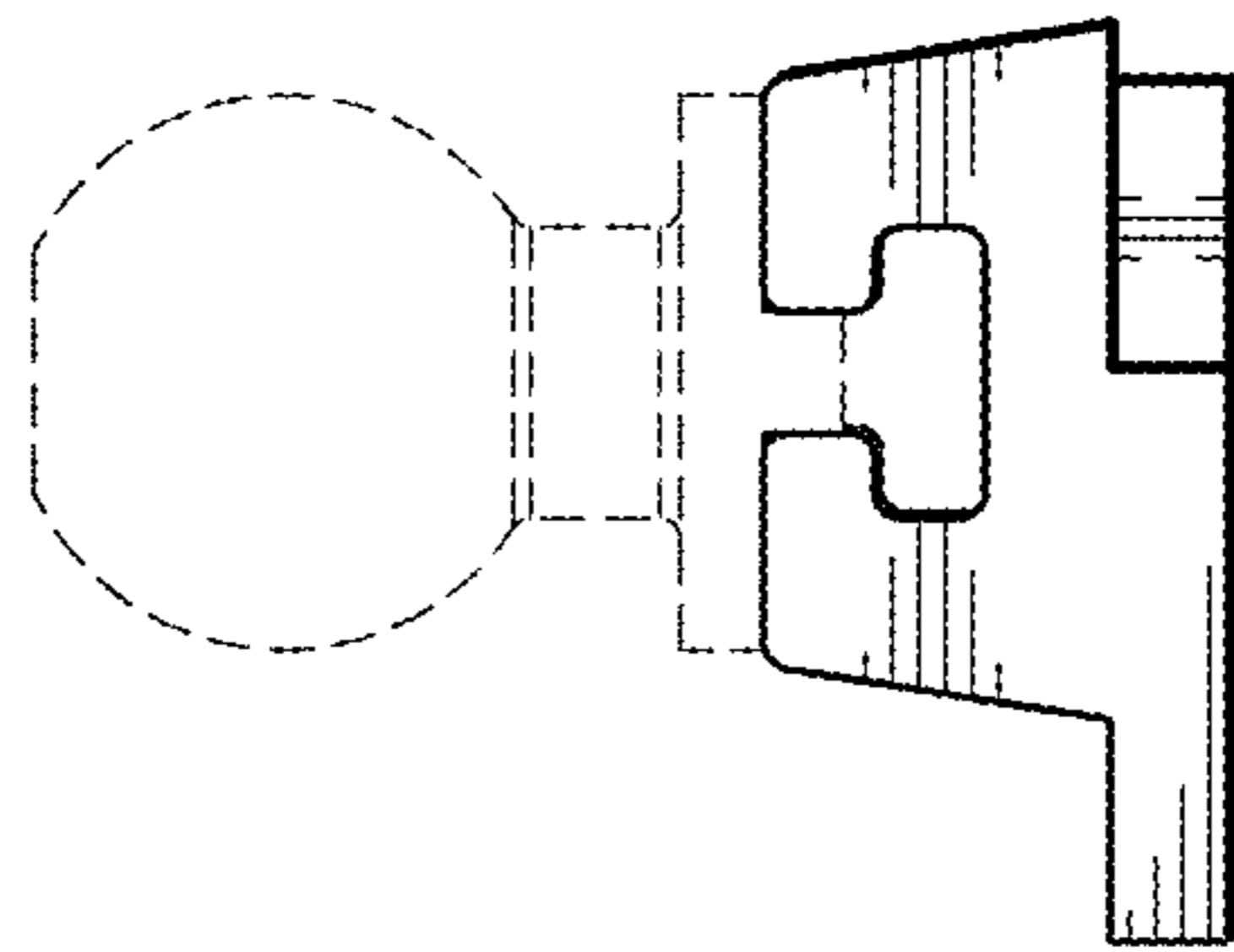


FIG. 10

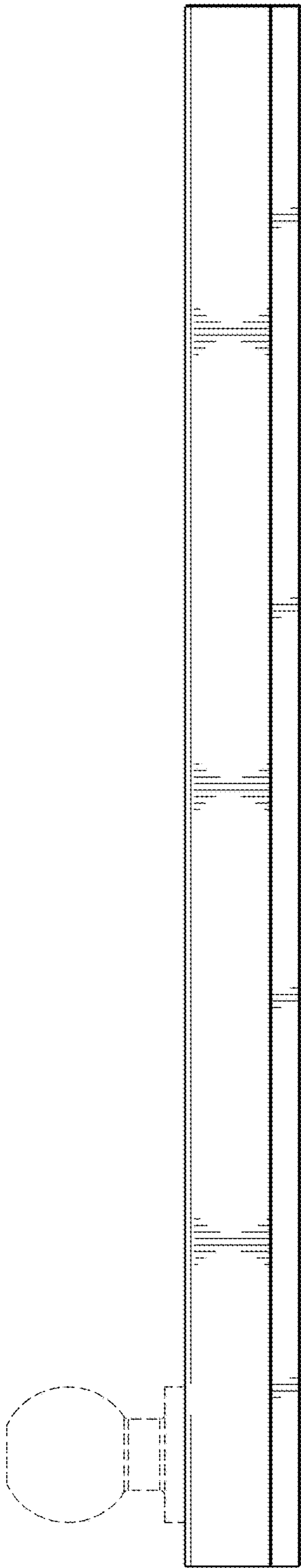


FIG. 12

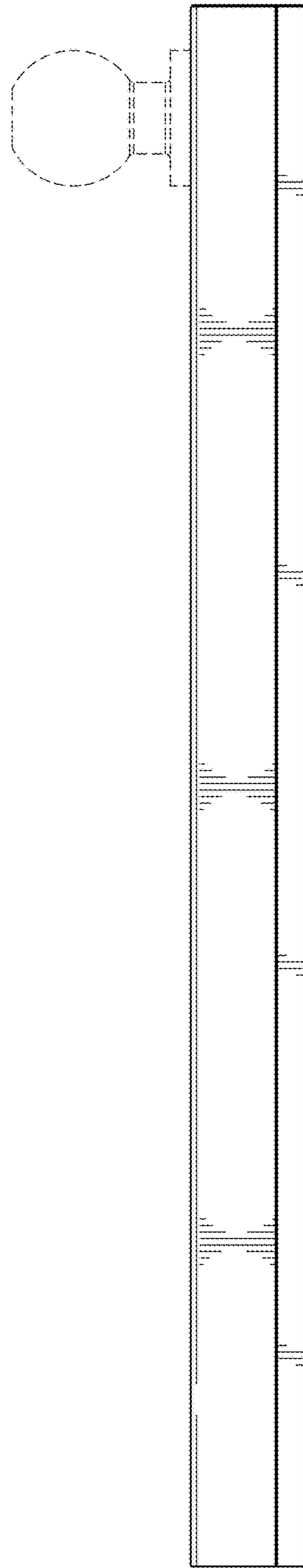


FIG. 13

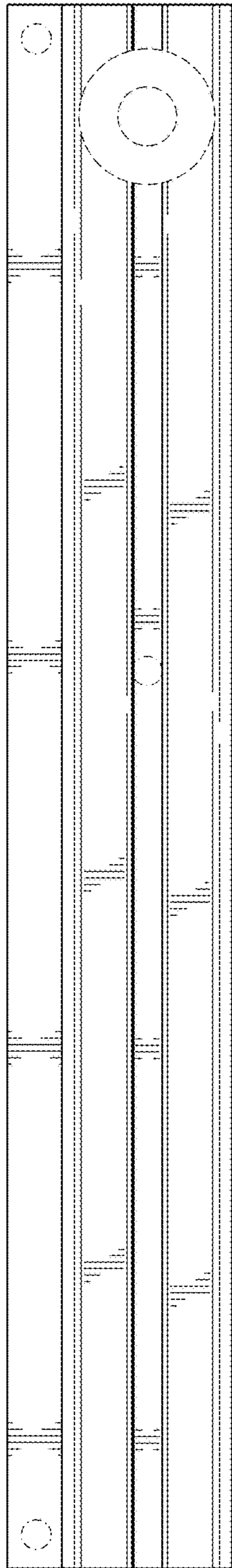


FIG. 14

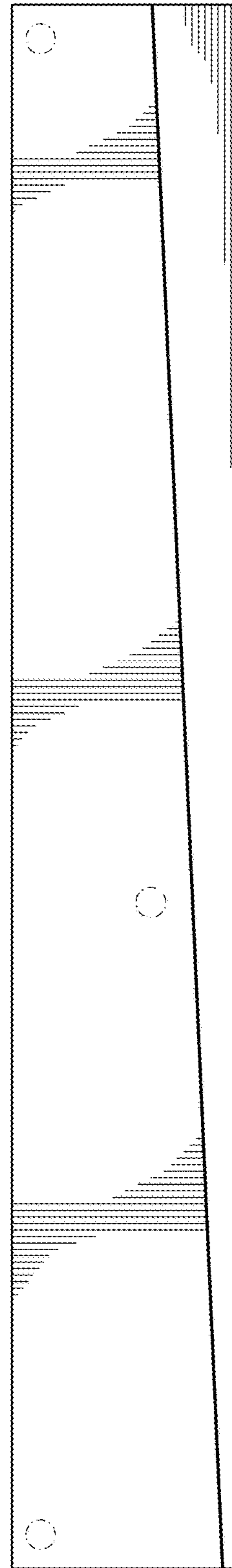


FIG. 15

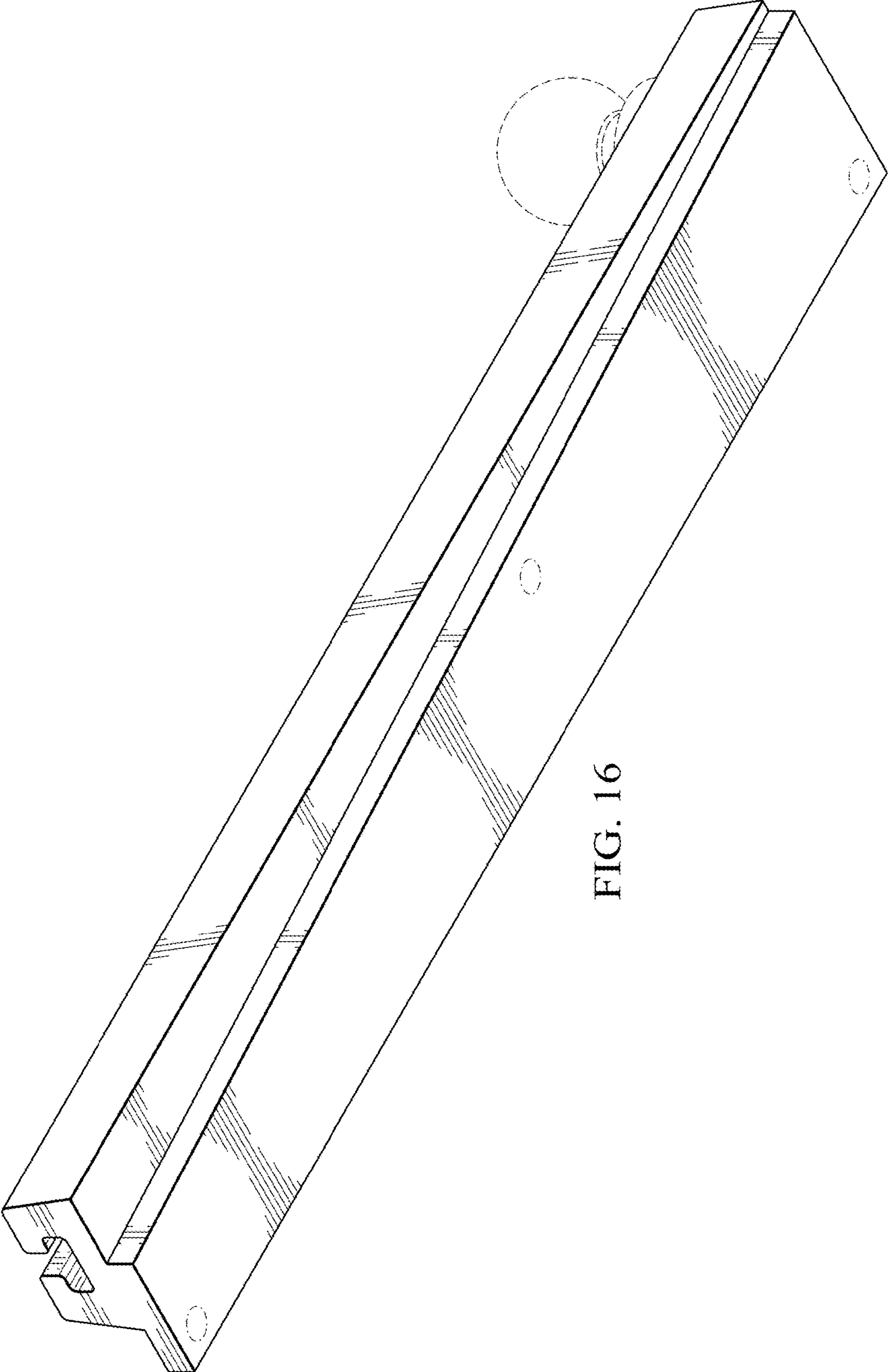


FIG. 16