



US00D865501S

(12) **United States Design Patent** (10) **Patent No.:** **US D865,501 S**
Bodman et al. (45) **Date of Patent:** **** Nov. 5, 2019**

(54) **SWIVEL CHAIR BEARING**

FOREIGN PATENT DOCUMENTS

(71) Applicant: **MOBB HEALTH CARE LTD CORPORATION CANADA**, Concord, Ontario (CA)

DE 10136218 5/2003
JP 2006109893 4/2006

(72) Inventors: **Moshe Bodman**, Toronto (CA); **Philip Wilcox**, Toronto (CA)

Primary Examiner — Ian Simmons

Assistant Examiner — Yolanda Robinson

(73) Assignee: **Mobb Health Care Ltd Corporation Canada** (CA)

(74) *Attorney, Agent, or Firm* — Greg M. Popowitz; Assouline & Berlowe, P.A.

(**) Term: **15 Years**

(57) **CLAIM**

(21) Appl. No.: **29/586,354**

The ornamental design for a swivel chair bearing, as shown and described.

(22) Filed: **Dec. 2, 2016**

(51) **LOC (12) Cl.** **08-05**

(52) **U.S. Cl.**

USPC **D8/374**

(58) **Field of Classification Search**

USPC D8/374, 373, 375, 377, 378, 379;
D6/365, 334-336, 364, 366, 370, 374,
D6/379, 716, 716.2, 716.3, 716.4;
D15/143

CPC A47C 3/04; A47C 3/02; A47C 5/04; A47C
5/06

See application file for complete search history.

DESCRIPTION

FIG. 1 is a front perspective view of the present invention positioned on a chair.

FIG. 2 is a front perspective view of the swivel chair bearing shown in FIG. 1.

FIG. 3 is a top view of the swivel chair bearing shown in FIG. 1.

FIG. 4 is a bottom view of the swivel chair bearing shown in FIG. 1.

FIG. 5 is a right side view of the swivel chair bearing shown in FIG. 1.

FIG. 6 is left side view of the swivel chair bearing shown in FIG. 1.

FIG. 7 is a front view of the swivel chair bearing shown in FIG. 1; and,

FIG. 8 is a rear view of the swivel chair bearing shown in FIG. 1.

The claimed design and illustrations shown in the drawings depict a swivel chair bearing.

The dash dash broken lines shown in FIGS. 1-7 are included for the purpose of illustrating an environment only and form no part of the claimed design.

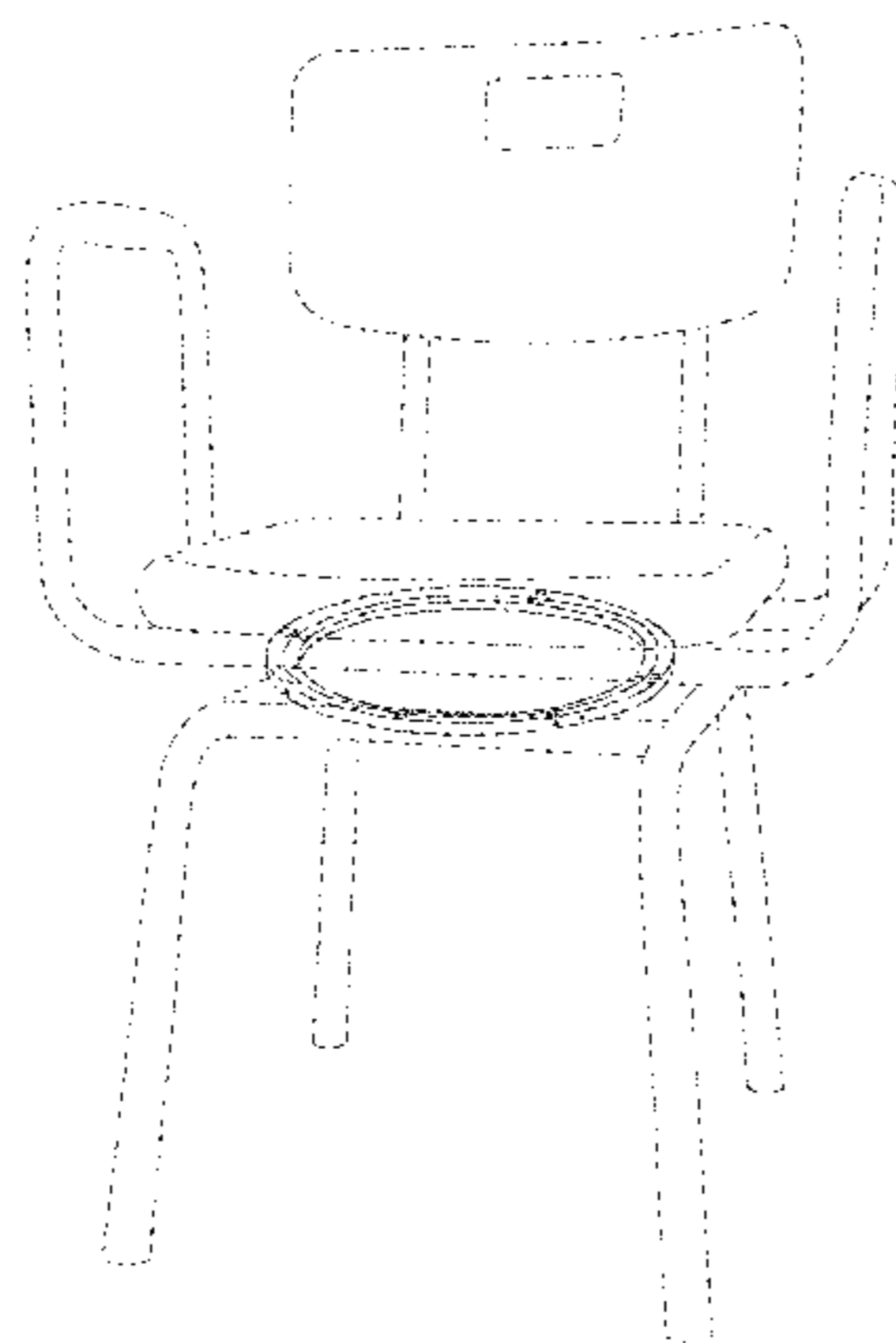
(56) **References Cited**

U.S. PATENT DOCUMENTS

3,405,411	A	10/1968	Brown	
3,574,242	A	4/1971	Trowbridge	
3,969,778	A	7/1976	Richards	
4,196,480	A	4/1980	Guenther et al.	
4,343,052	A	8/1982	Guenther	
4,715,069	A	12/1987	James	
4,824,170	A *	4/1989	Goldmeier	A47C 1/143 248/349.1
4,882,791	A	11/1989	Kimes	
4,971,392	A *	11/1990	Young	B60N 2/2821 297/256.12
D319,303	S	8/1991	Barrett, Sr.	
5,078,451	A *	1/1992	Sobel	A47C 1/14 248/425

(Continued)

1 Claim, 6 Drawing Sheets



(56)

References Cited

U.S. PATENT DOCUMENTS

D336,682	S	6/1993	Francke et al.	
5,479,668	A *	1/1996	Cooper	A47C 1/14 5/600
6,212,695	B1	4/2001	Arduini	
6,302,483	B1 *	10/2001	Ricaud	B61D 33/0085 297/344.22
6,349,423	B1	2/2002	Kelleher	
RE37,927	E *	12/2002	Fitch	A47C 3/18 297/344.21
6,890,033	B1 *	5/2005	Casella	A47C 1/14 297/344.21
D526,135	S *	8/2006	Murphy	D6/361
D544,235	S *	6/2007	Chen	D6/379
D622,974	S *	9/2010	Igarashi	D6/379
8,402,572	B2	3/2013	Herasimtschuk	
9,072,384	B2 *	7/2015	Saint Pierre	A47C 3/04
9,375,090	B2 *	6/2016	Gambino	A47C 4/10
D799,702	S *	10/2017	Wong	D24/186
D800,319	S *	10/2017	Wong	D24/186
D817,019	S *	5/2018	Borrelli	D6/376
2002/0117878	A1 *	8/2002	Fox	A47C 3/18 297/16.2
2009/0140564	A1 *	6/2009	Tseng	A47C 3/18 297/344.26
2013/0022482	A1 *	1/2013	Schober	F04B 1/0413 417/437
2014/0252824	A1 *	9/2014	Saint Pierre	A47C 3/04 297/239

* cited by examiner

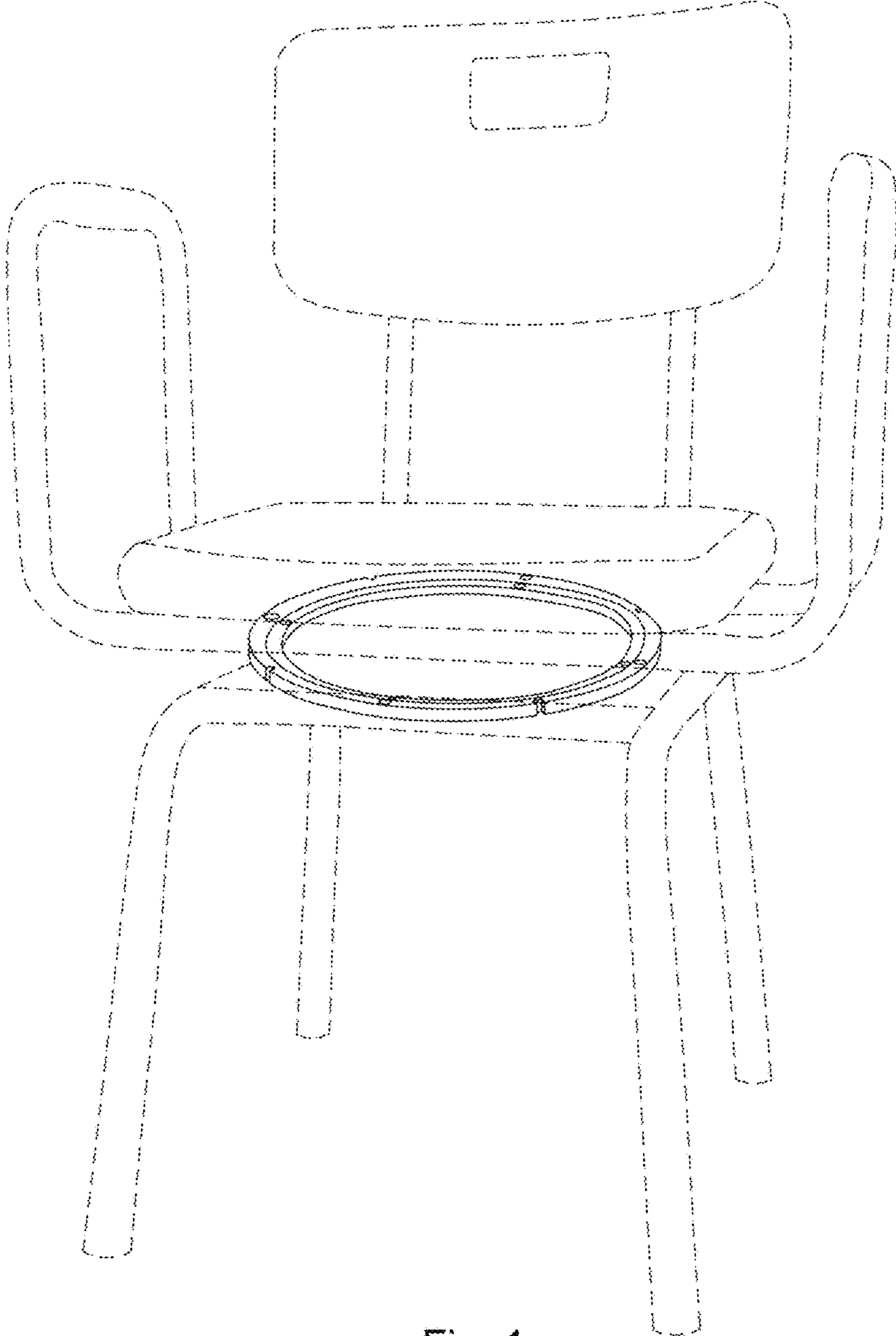


Fig. 1

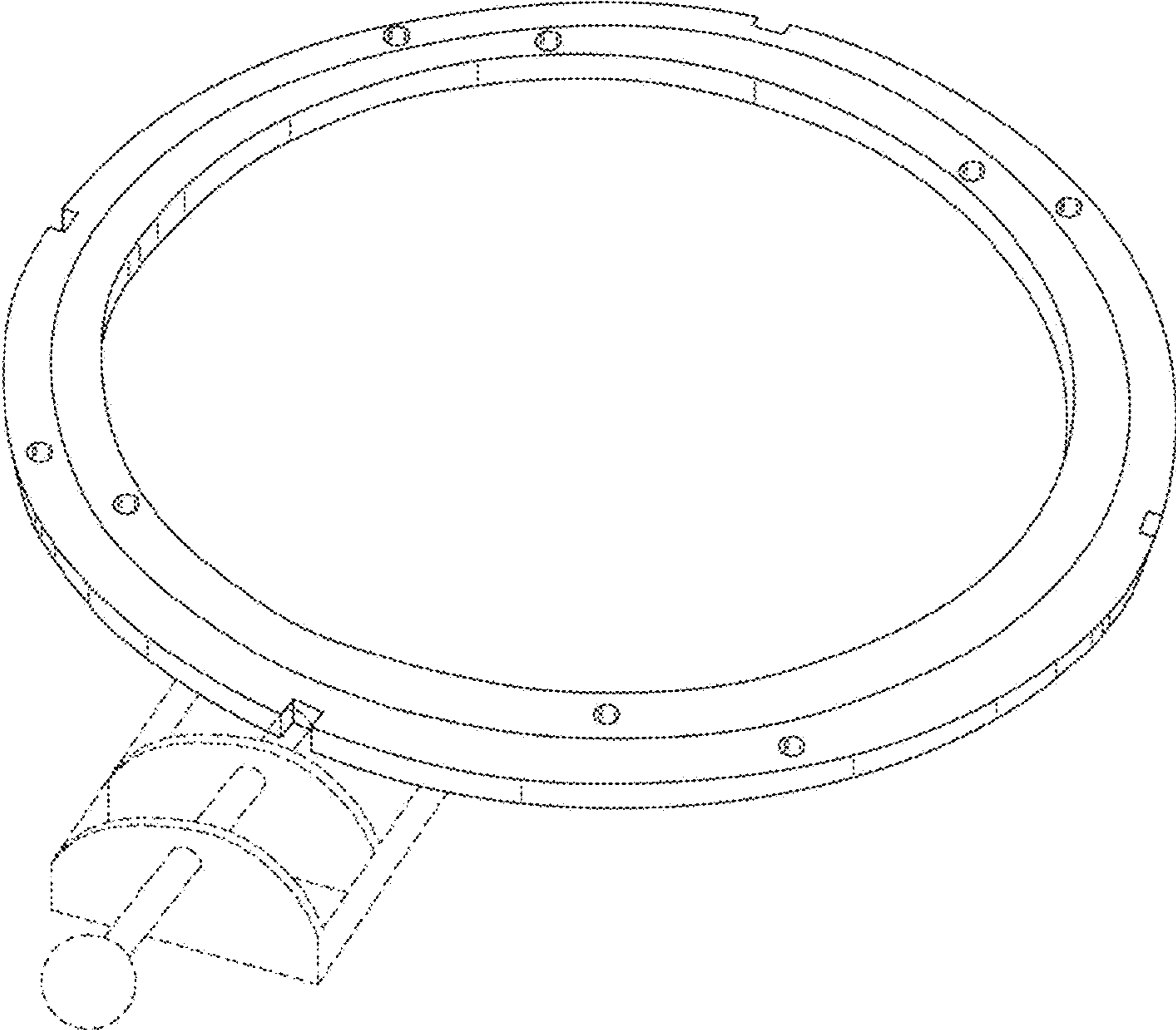


Fig. 2

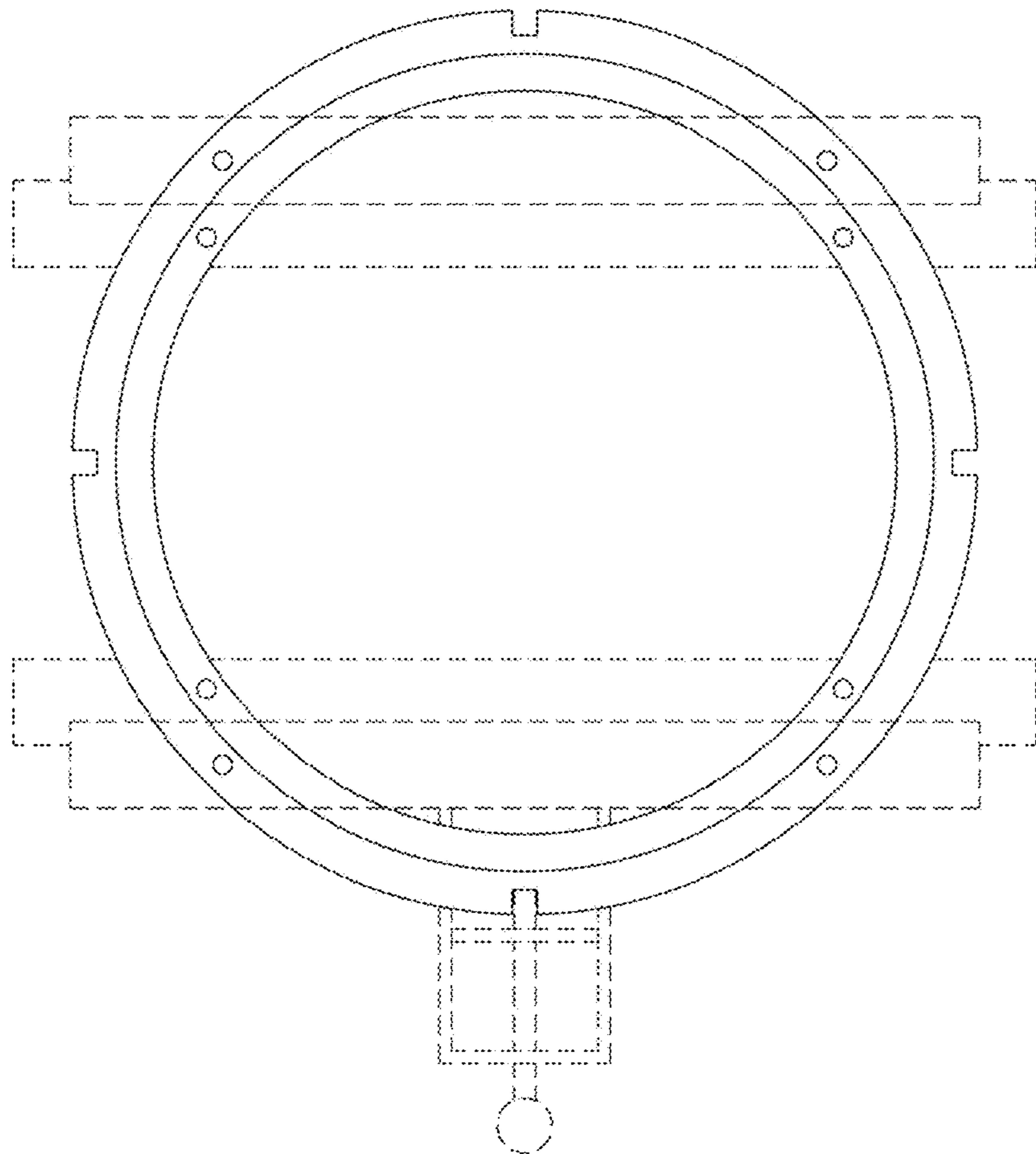


Fig. 3

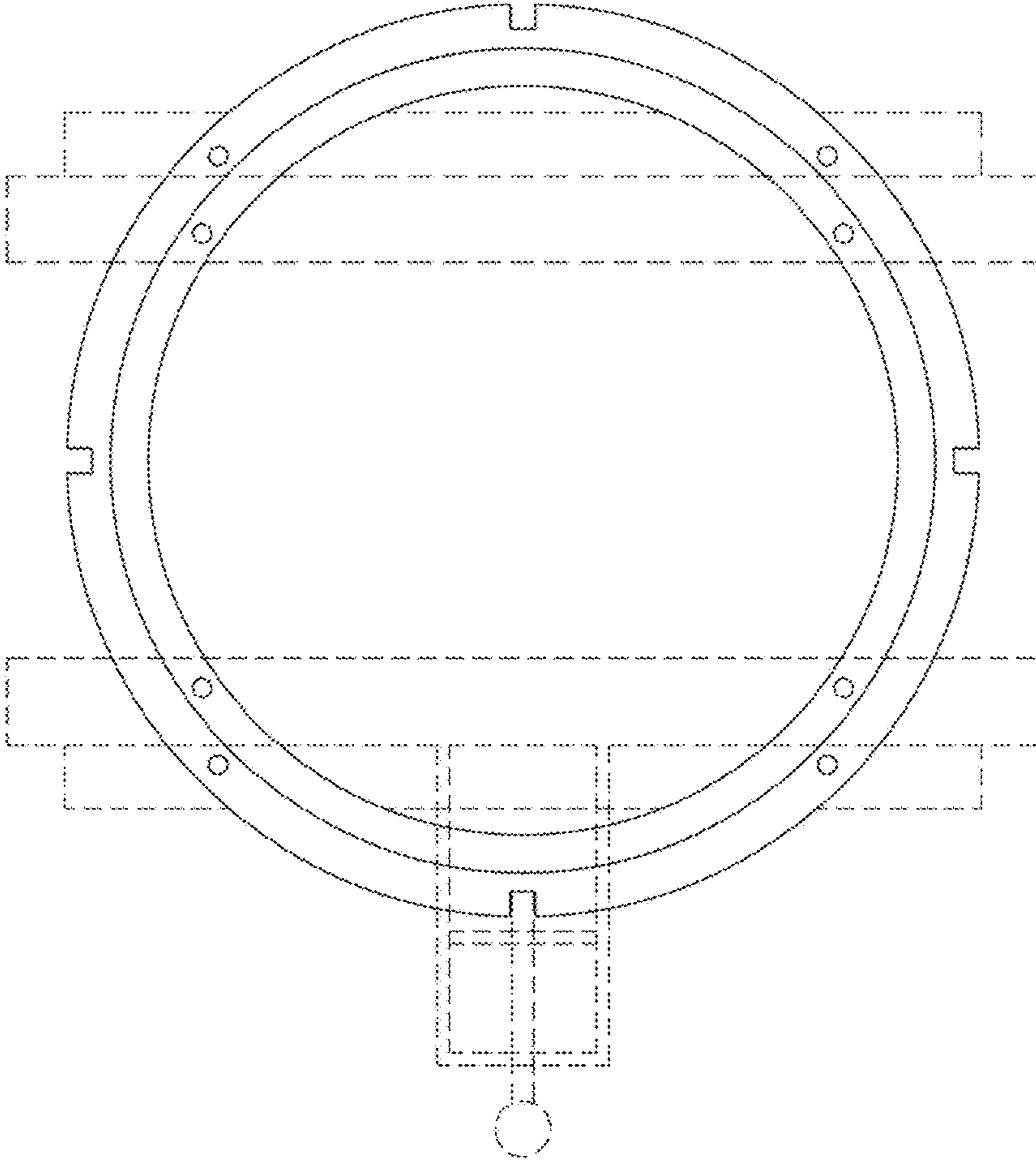


Fig. 4

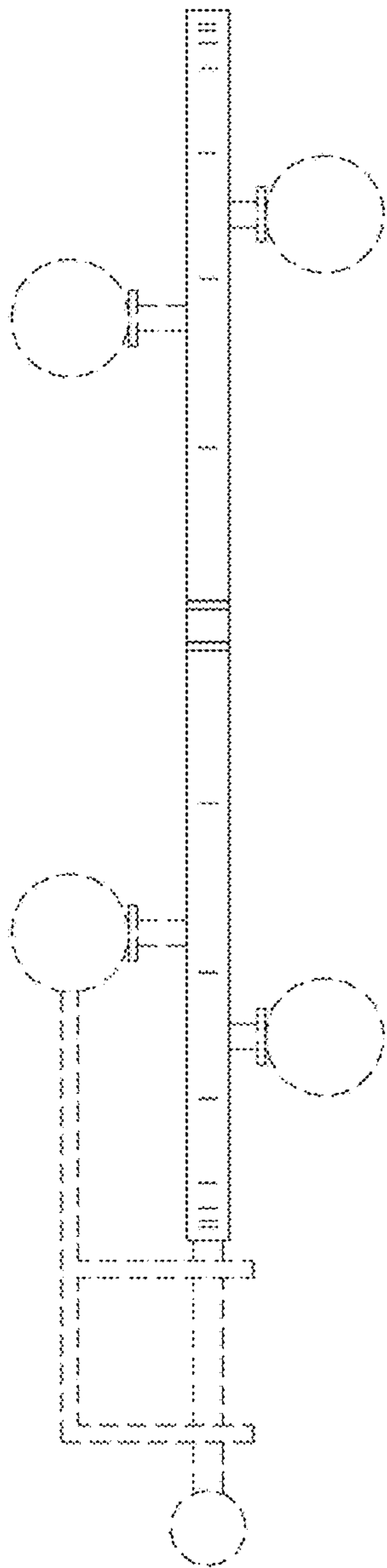


Fig. 5

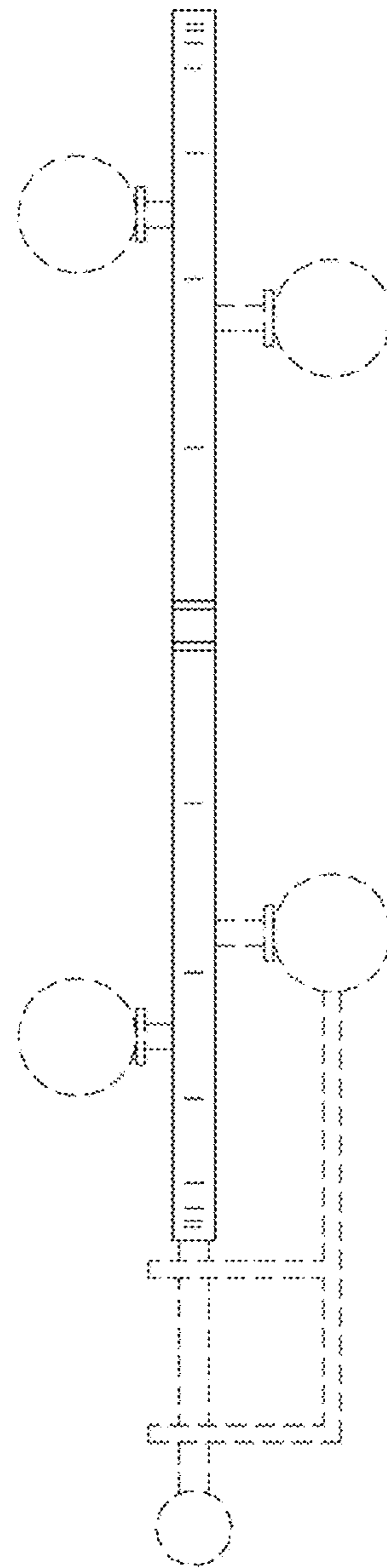


Fig. 6

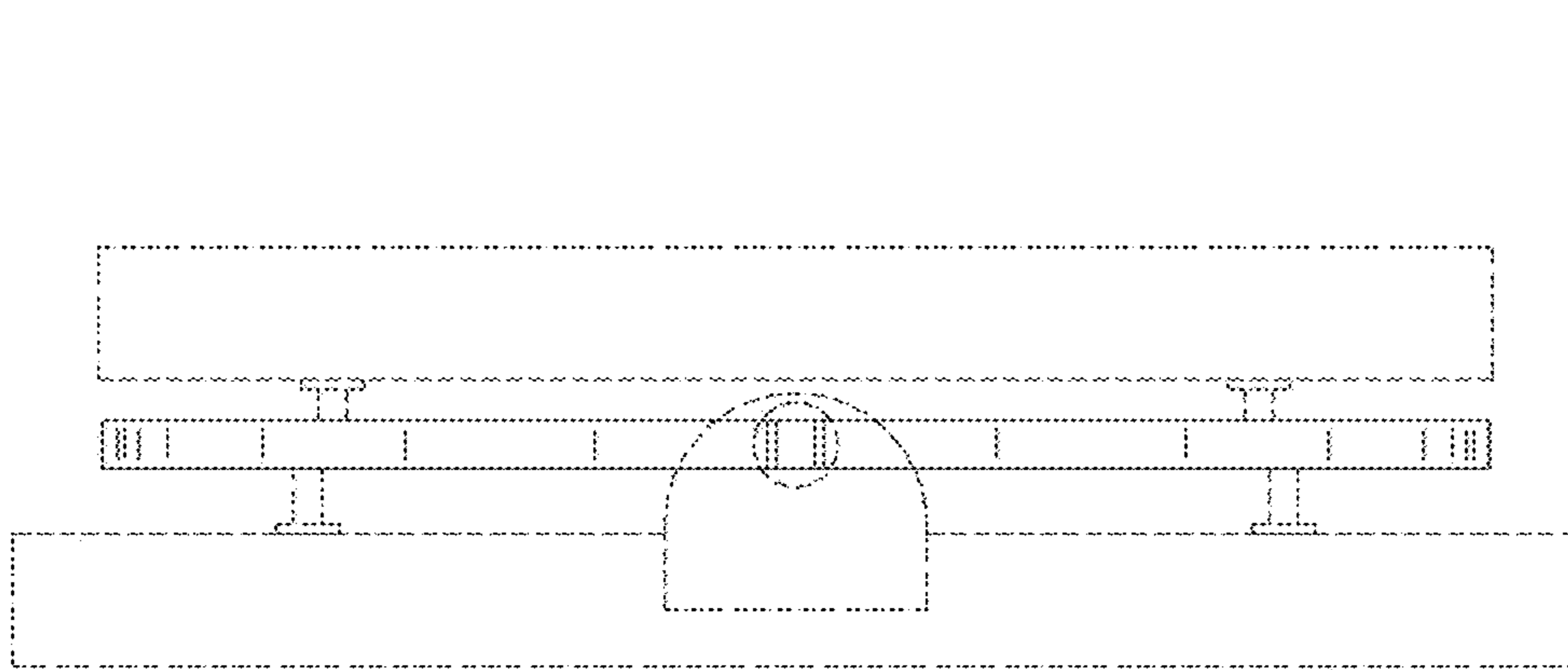


Fig. 7

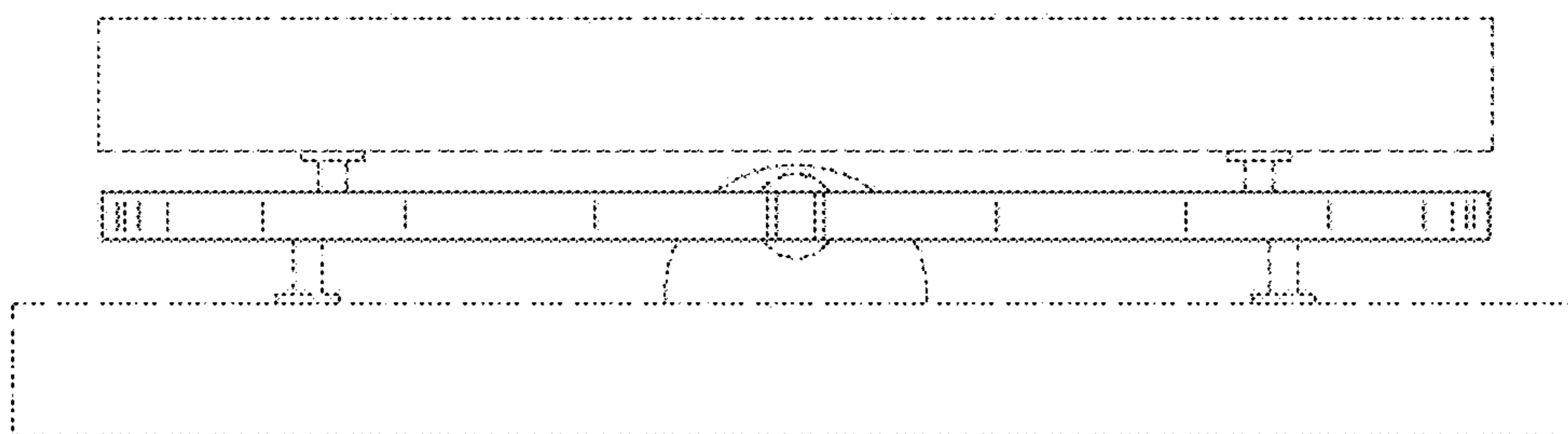


Fig. 8