



US00D865500S

(12) **United States Design Patent** (10) **Patent No.:** **US D865,500 S**
Krake et al. (45) **Date of Patent:** **** Nov. 5, 2019**

(54) **HANGER**

OTHER PUBLICATIONS

(71) Applicant: **UNDER THE ROOF DECORATING INC.,** Calgary (CA)

Brick Clip, Lee Valley, from the Internet <http://www.leevalley.com/us/gifts/page.aspx?p=10437&cat=532098Lap=4>.

(Continued)

(72) Inventors: **Kelly Krake,** Calgary (CA); **Liette Tousignant,** Calgary (CA); **Michael Kurtz,** Calgary (CA); **Ian Matthew Campana,** Calgary (CA)

Primary Examiner — Cynthia R Underwood
(74) *Attorney, Agent, or Firm* — Norton Rose Fulbright Canada LLP; Alexandre Daoust

(73) Assignee: **UNDER THE ROOF DECORATING INC.,** Calgary (CA)

(**) Term: **15 Years**

(57) **CLAIM**

The ornamental design for a hanger, as shown and described.

(21) Appl. No.: **29/665,616**

(22) Filed: **Oct. 5, 2018**

DESCRIPTION

(30) **Foreign Application Priority Data**

Apr. 8, 2018 (CN) 2018 3 0137946
Apr. 8, 2018 (CN) 2018 3 0137948

(51) **LOC (12) Cl.** **08-05**

(52) **U.S. Cl.**
USPC **D8/367**

(58) **Field of Classification Search**
USPC D8/367, 356, 354, 349, 18, 105, 368, D8/397; D11/208, 218; 248/341; 224/217
CPC A45F 5/021; A44B 13/0029; F16B 45/00; F16M 13/02; A45C 13/03
See application file for complete search history.

FIG. 1 is an oblique perspective view of an hanger showing our new design, in accordance with one embodiment; FIG. 2 is a front elevation view thereof; FIG. 3 is a left side elevation view thereof; FIG. 4 is a right side elevation view thereof; FIG. 5 is a rear elevation view thereof; FIG. 6 is a top plan view thereof; and FIG. 7 is a bottom plan thereof; FIG. 8 is an oblique perspective view of an hanger showing our new design, in accordance with another embodiment; FIG. 9 is a front elevation view thereof; FIG. 10 is a left side elevation view thereof; FIG. 11 is a right side elevation view thereof; FIG. 12 is a rear elevation view thereof; FIG. 13 is a top plan view thereof; and, FIG. 14 is a bottom plan thereof.

In all figures, solid line shading is used to better illustrate the three-dimensional ornamental features of the design. The lightweight broken lines are included to show unclaimed subject matter and to delimit claimed solid line portions of the design from unclaimed subject-matter.

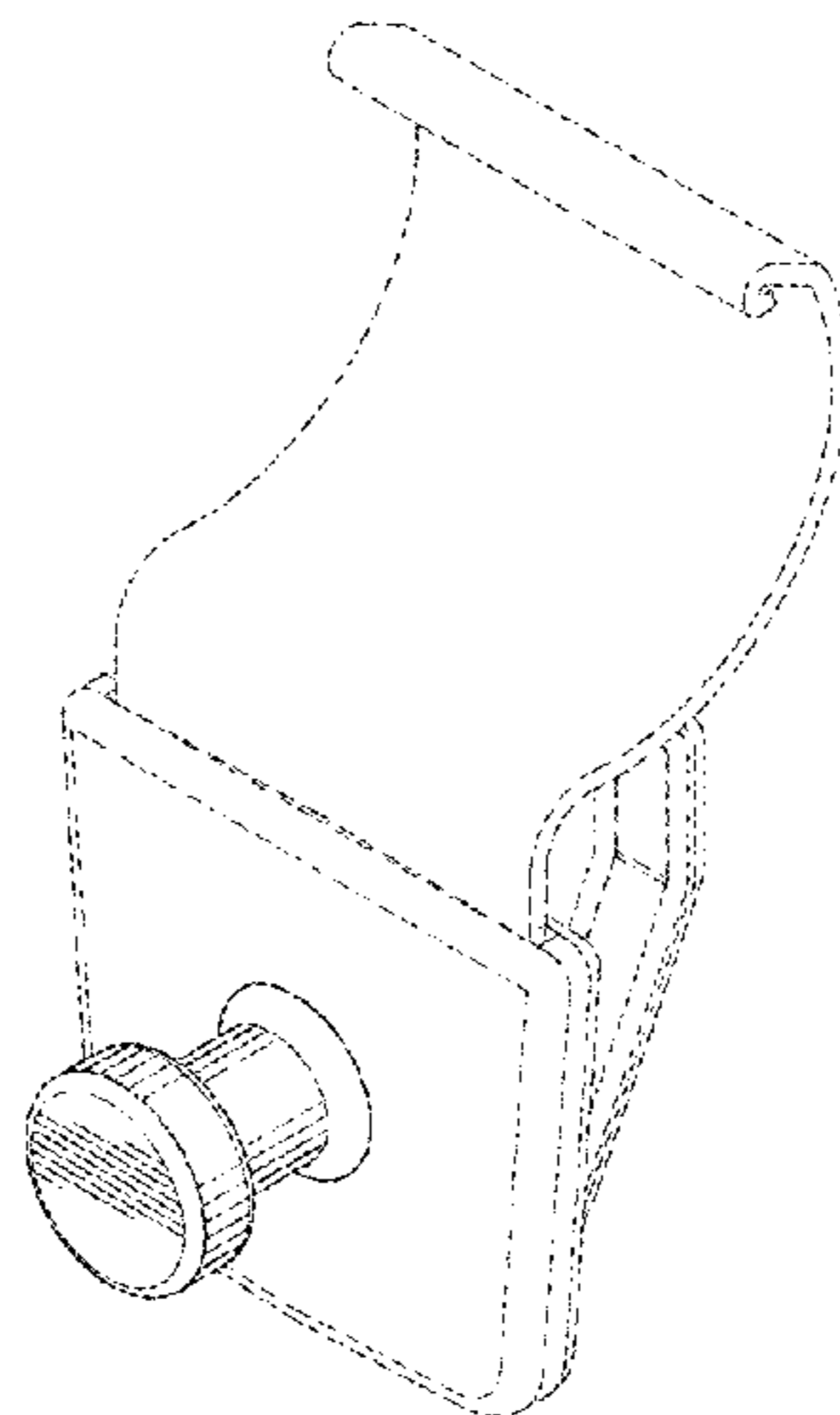
(56) **References Cited**

U.S. PATENT DOCUMENTS

674,438 A * 5/1901 Edmundson A47G 1/20 248/301
1,035,740 A 8/1912 Raes
1,439,302 A 12/1922 Erickson
1,745,814 A 2/1930 Pendleton

(Continued)

1 Claim, 8 Drawing Sheets



(56)

References Cited

U.S. PATENT DOCUMENTS

3,768,767 A 10/1973 Dobkowski
 4,314,429 A 2/1982 Casteel et al.
 4,337,915 A 7/1982 Cali
 4,771,974 A 9/1988 Carlson
 4,872,629 A 10/1989 Cothran et al.
 D312,038 S 11/1990 Sachs
 5,022,623 A 6/1991 Laarman
 5,267,719 A 12/1993 Keller
 D373,948 S 9/1996 Etzel et al.
 5,560,574 A 10/1996 Vanderploeg
 6,273,380 B1 8/2001 Fillipp et al.
 D455,948 S * 4/2002 Zetsche D6/523
 6,375,137 B1 4/2002 McQuade et al.
 6,497,396 B1 12/2002 Adams
 D486,057 S * 2/2004 Chen D8/367
 6,932,310 B1 8/2005 Diss
 7,175,143 B1 2/2007 Ho
 D548,983 S * 8/2007 Krump D6/323
 7,287,354 B2 10/2007 Rivers et al.
 7,357,364 B2 4/2008 Jackson et al.
 D623,868 S * 9/2010 Schiestl D6/323
 7,823,853 B2 11/2010 Larson et al.
 7,833,620 B2 * 11/2010 Enserink F16B 47/003
 248/205.3
 D647,389 S * 10/2011 Gracia D8/367
 8,113,476 B2 * 2/2012 Serio A47G 1/20
 248/206.5
 D671,820 S * 12/2012 Henderson D8/373

D697,387 S * 1/2014 Starck D8/367
 D709,355 S * 7/2014 Berger D8/356
 D709,357 S * 7/2014 Bell D8/373
 D715,625 S * 10/2014 Pan D8/367
 D715,626 S * 10/2014 Pan D8/367
 D718,119 S * 11/2014 Tamas D8/367
 D726,526 S * 4/2015 Veilleux D8/367
 D762,456 S 8/2016 Lo et al.
 D790,328 S * 6/2017 Hall D6/323
 D817,749 S * 5/2018 Ryu D8/367
 D819,431 S * 6/2018 Goodman D8/367
 D821,184 S * 6/2018 Berger D8/367
 2003/0189144 A1 10/2003 Byrne
 2010/0102193 A1 * 4/2010 Lindner A47L 13/512
 248/534
 2010/0155557 A1 6/2010 Carty

OTHER PUBLICATIONS

Hillman Brick/Block Hangers, from the Internet https://www.lowes.ca/picture-hangers/the-hillman-group-brickblock-hangers_g1496778.html.
 Brick Hook Hanger Bric Crab, from the Internet <https://ozdingo.com.au/products/brick-hook-hanger>.
 Brick Hangers-Set of 4, from the Internet <https://www.improvementscatalog.com/brick-hangers-set-of-4/10098>.
 Big Green Leaf Brick Utility Hook 3 95, from the Internet <https://www.pinterest.ca/pin/8373949281112597/> (Sara Clark Partyka's Page).

* cited by examiner

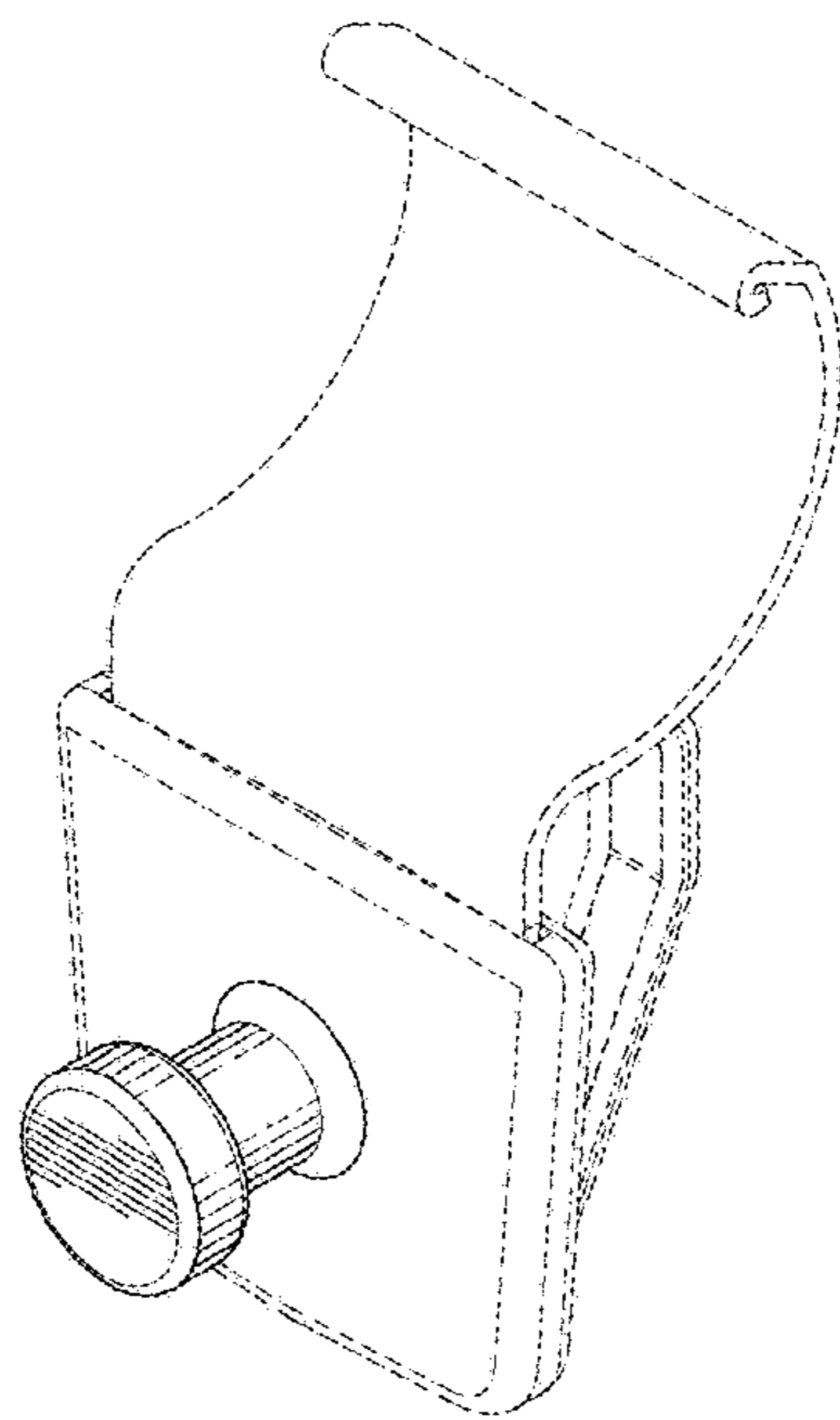


FIG. 1

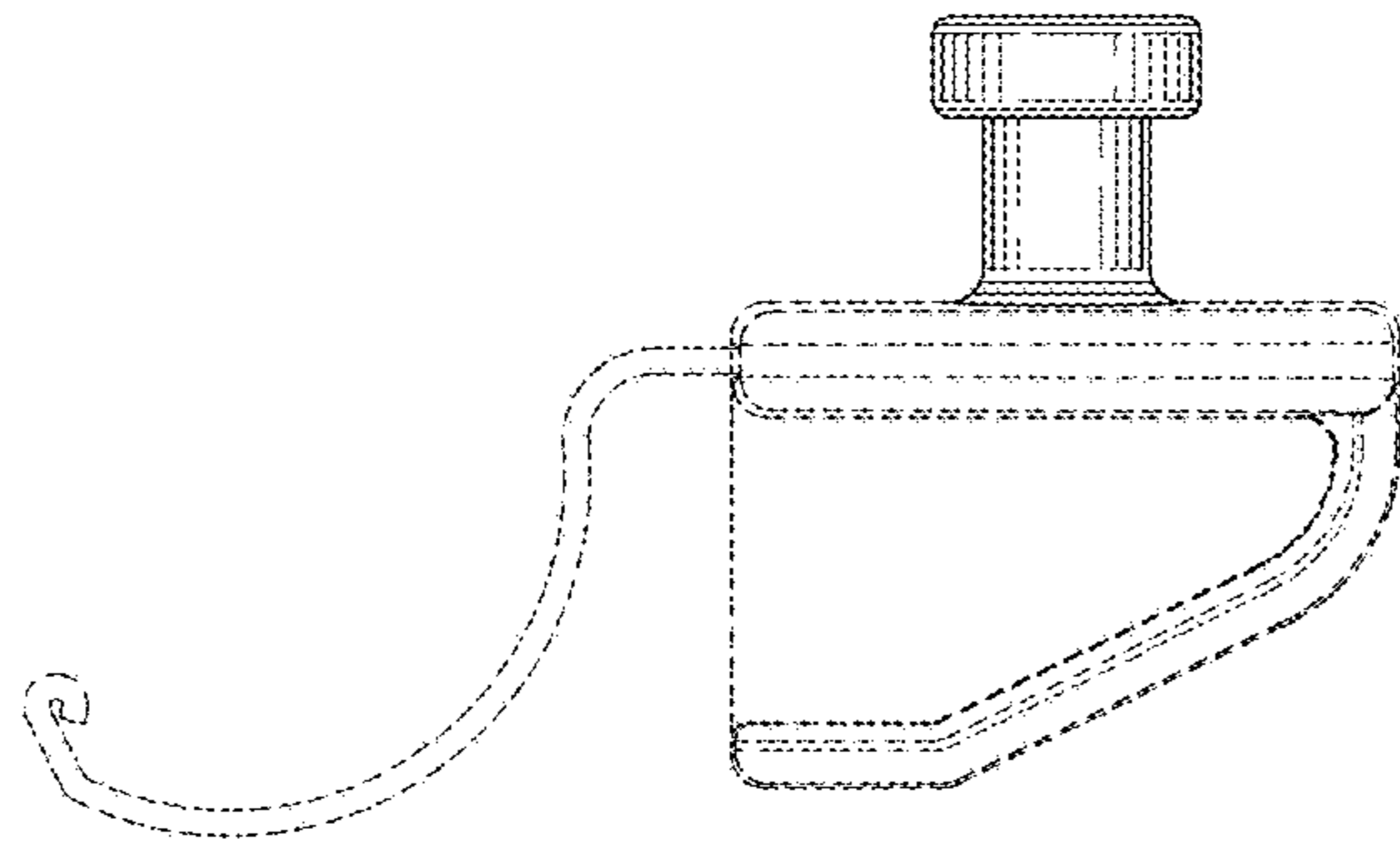


FIG. 3

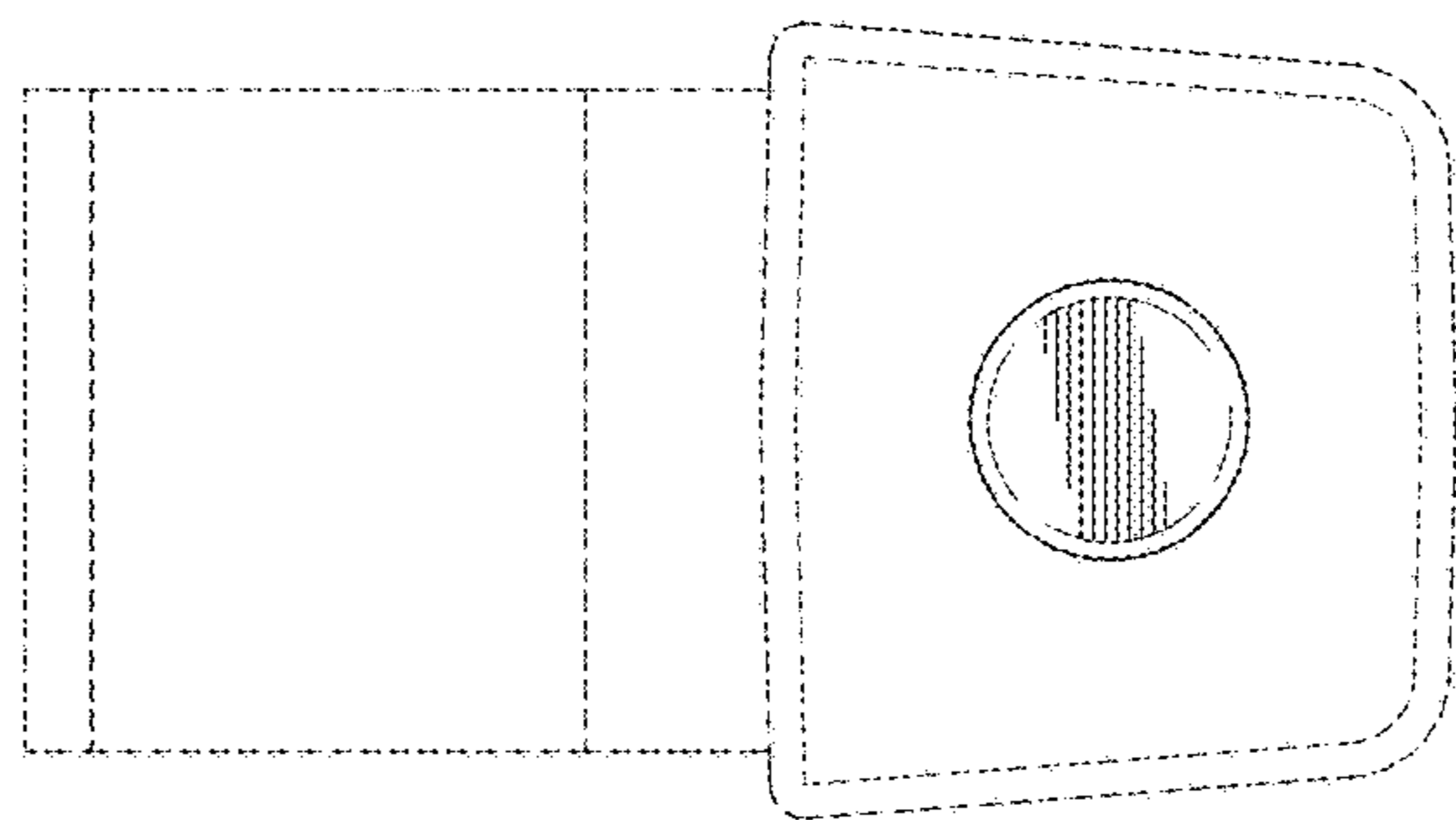


FIG. 2

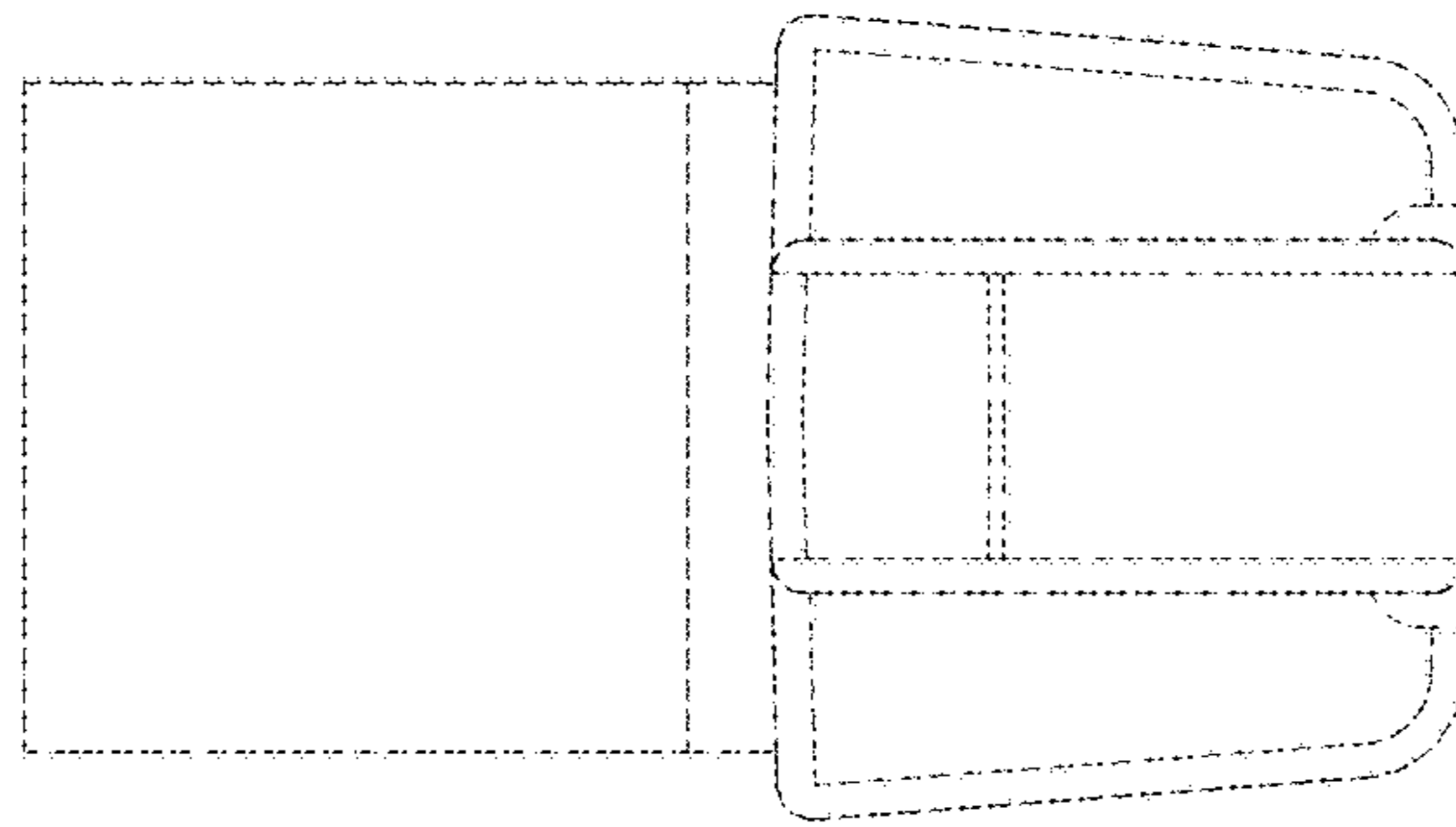


FIG. 5

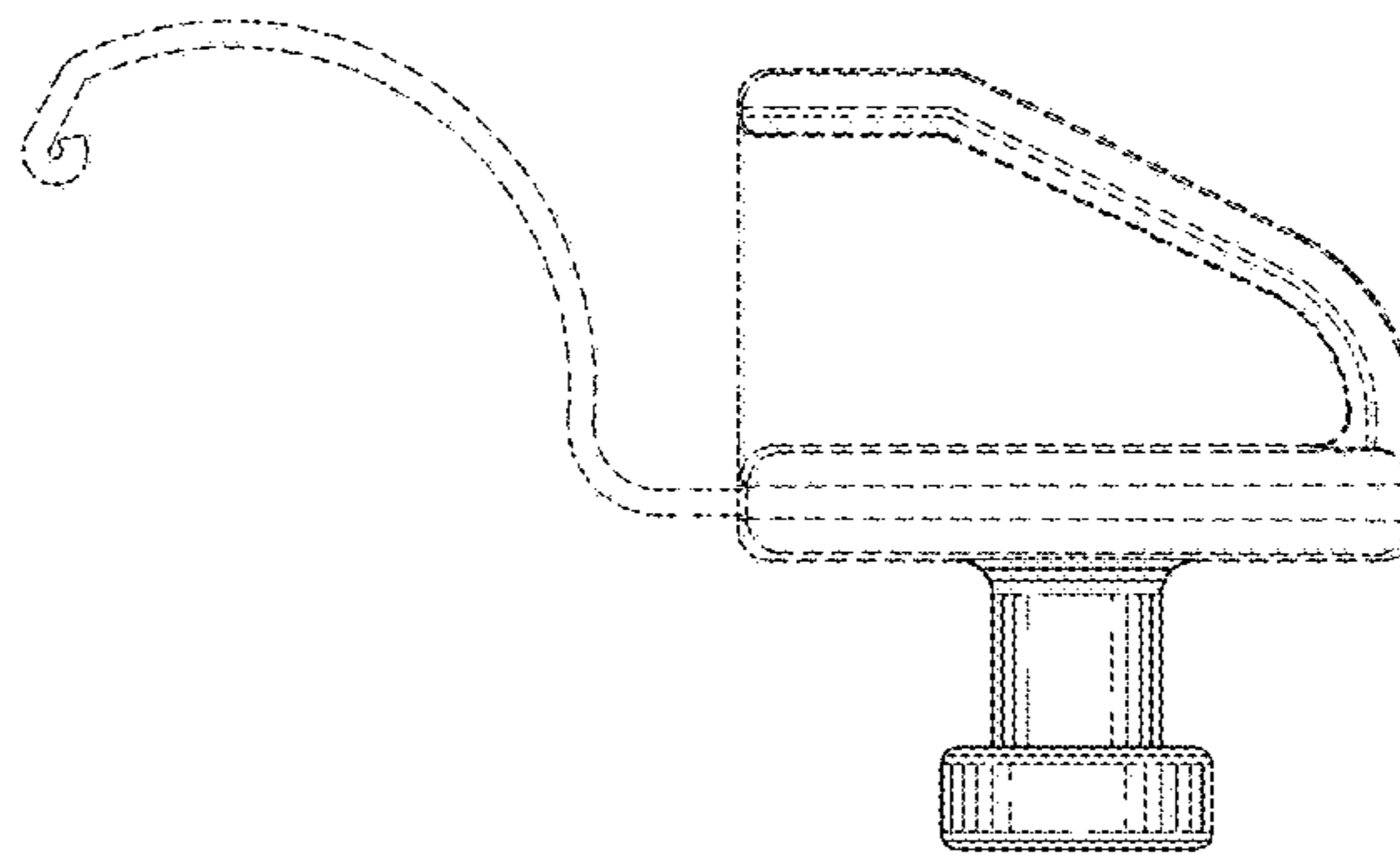
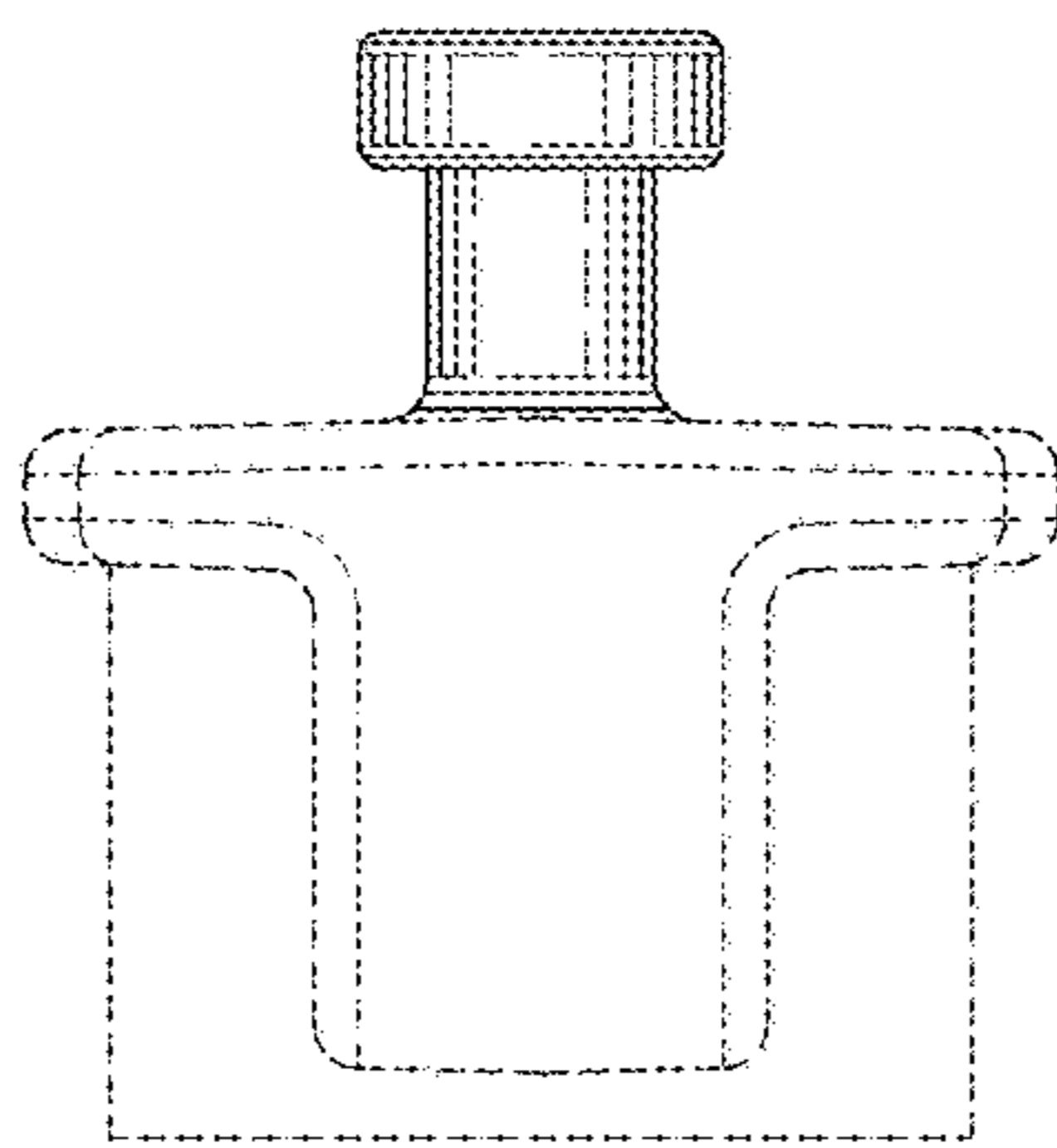
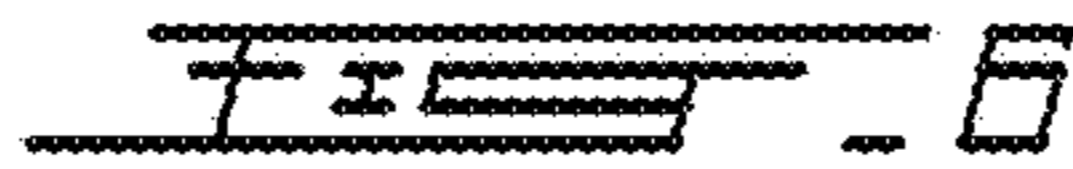
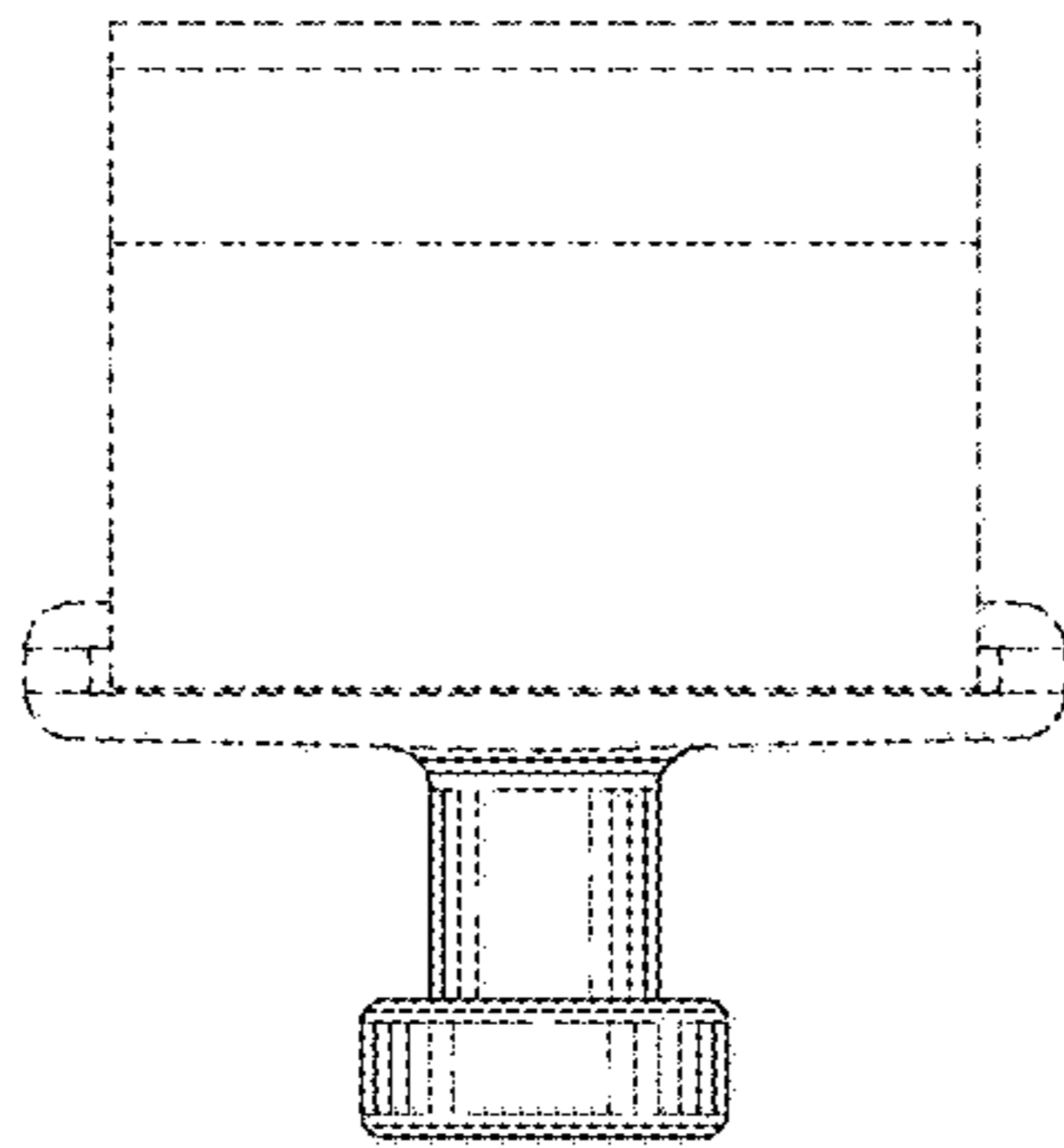
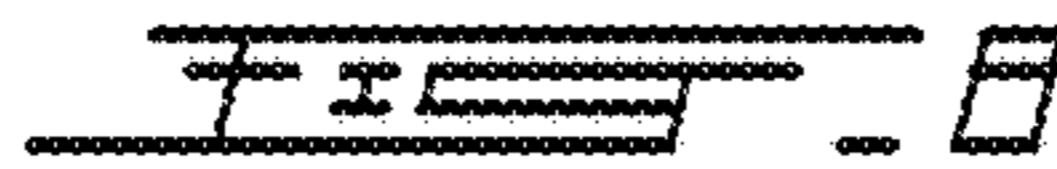
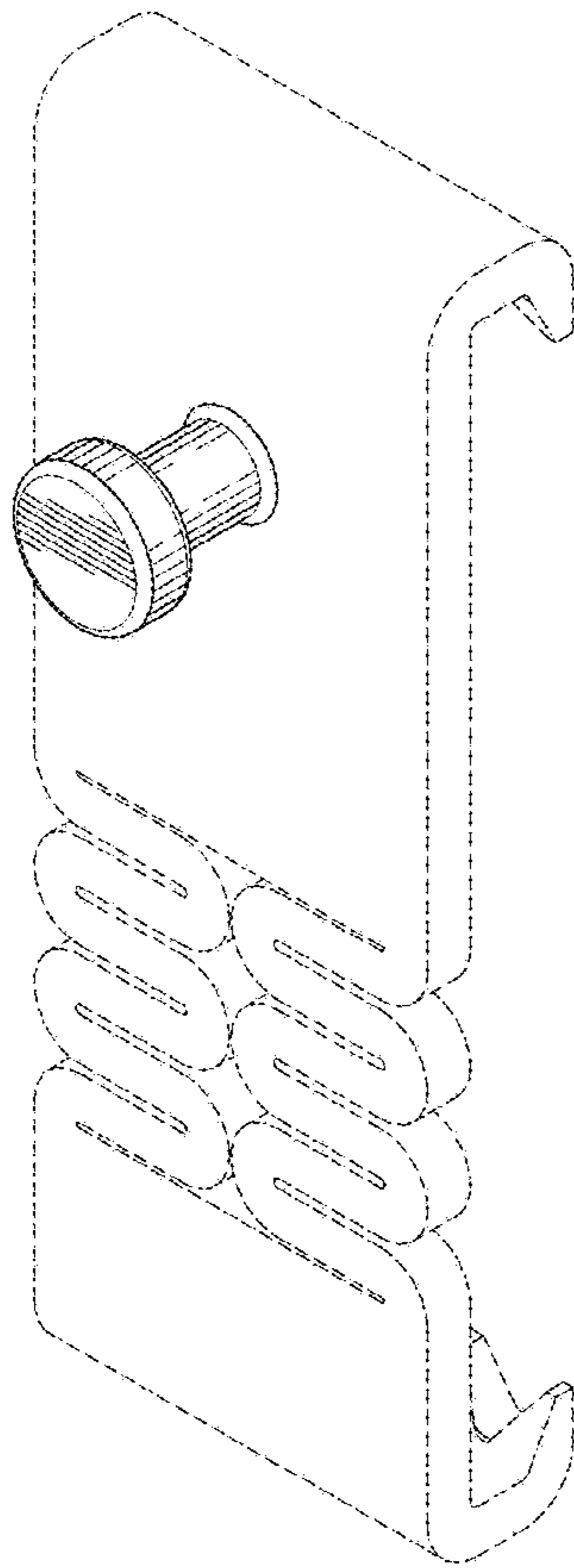


FIG. 4





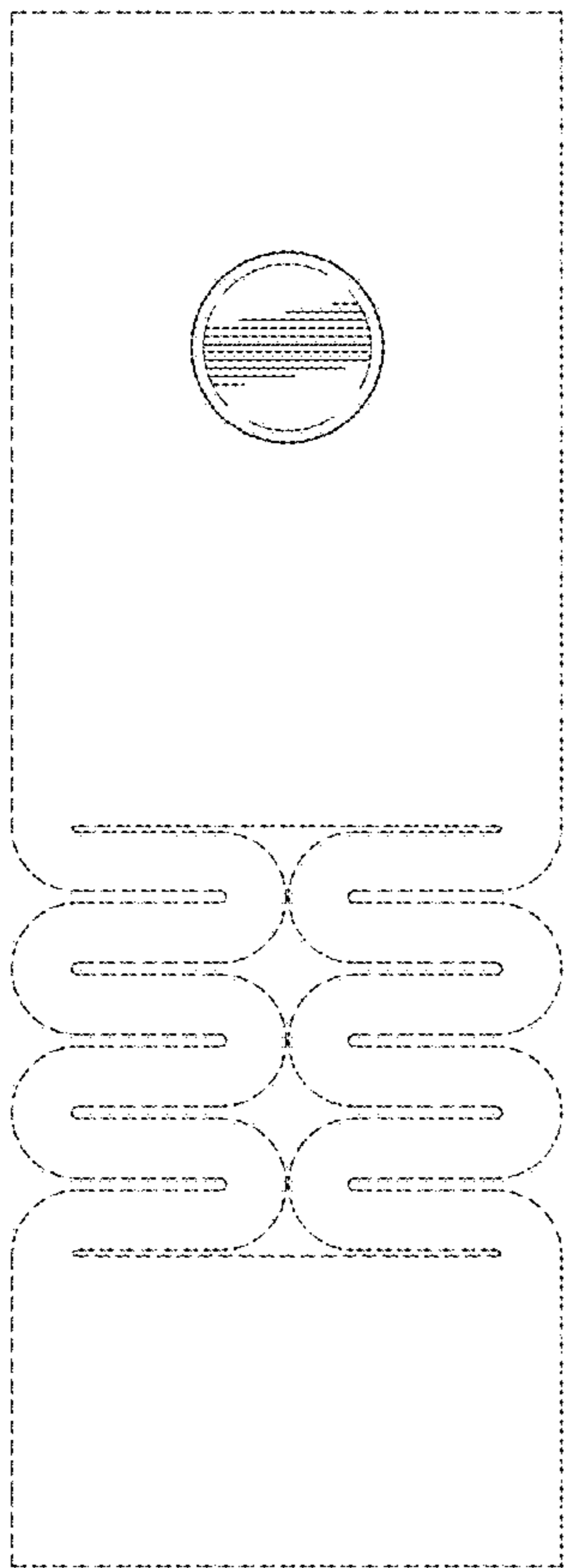


FIG. 9

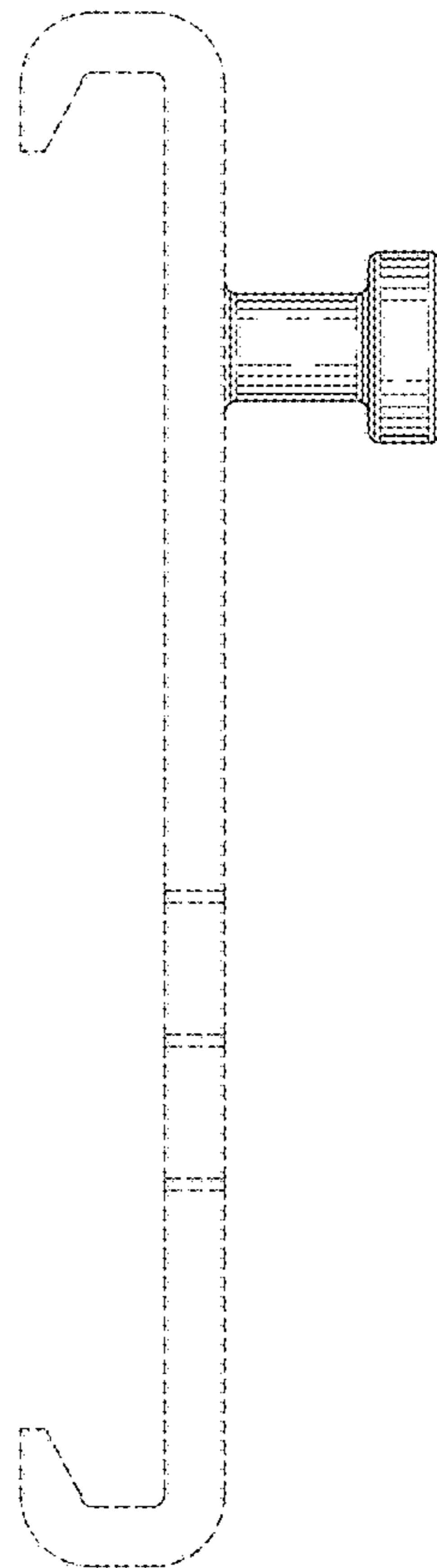


FIG. 10

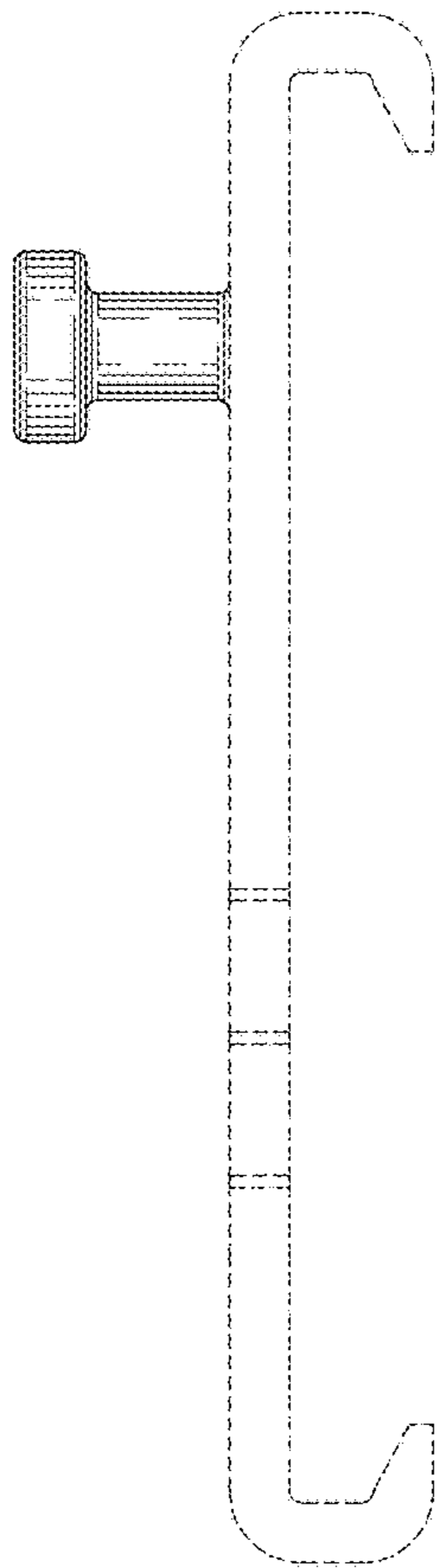


FIG. 11

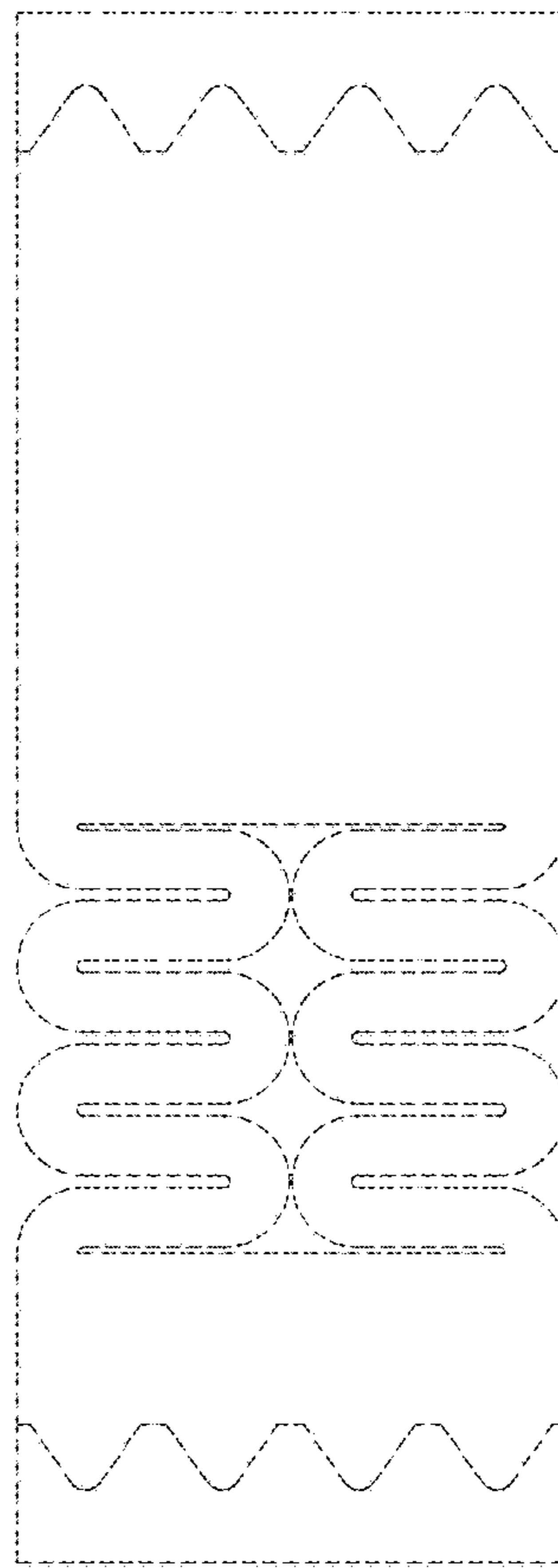


FIG. 12

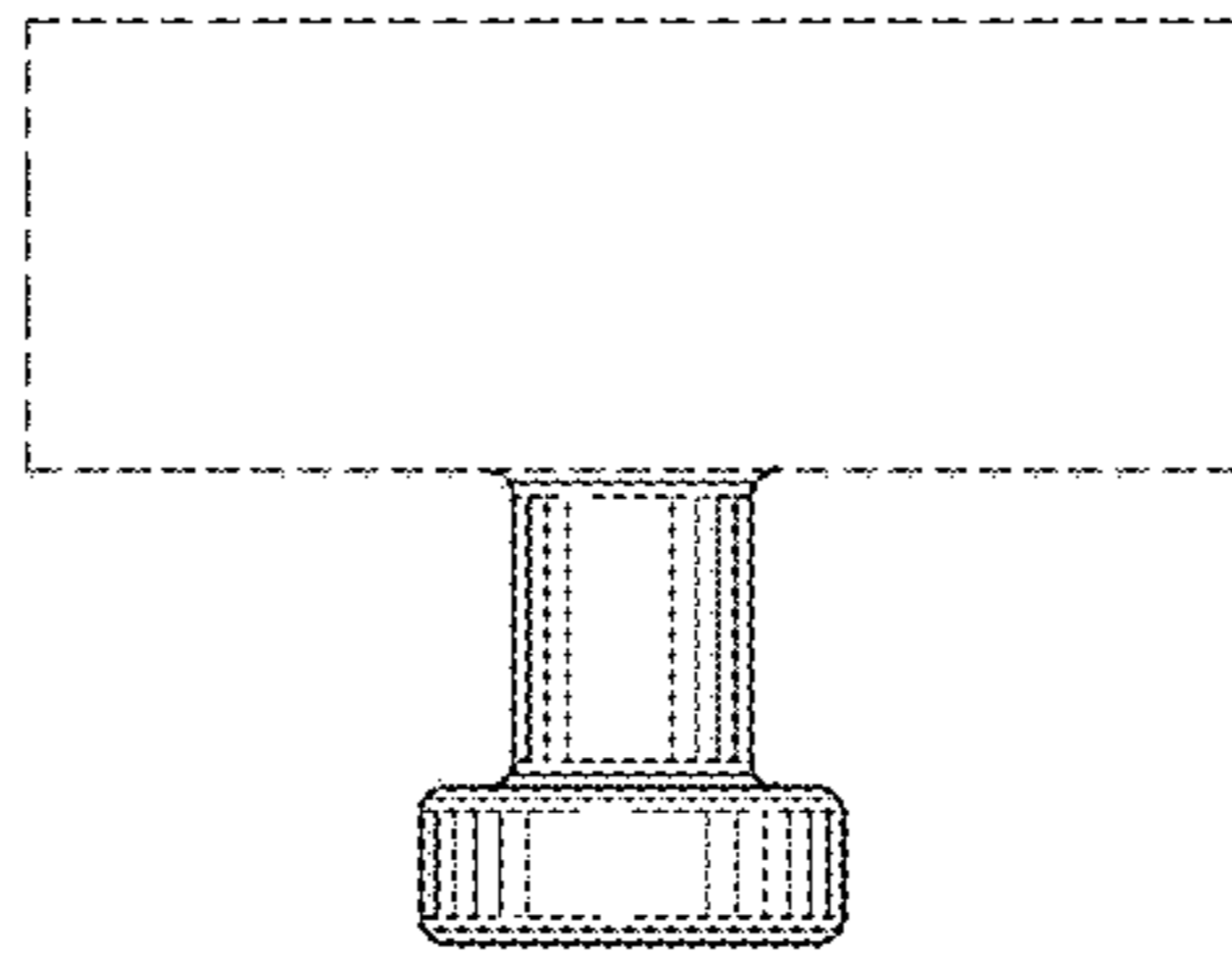


FIG. 13

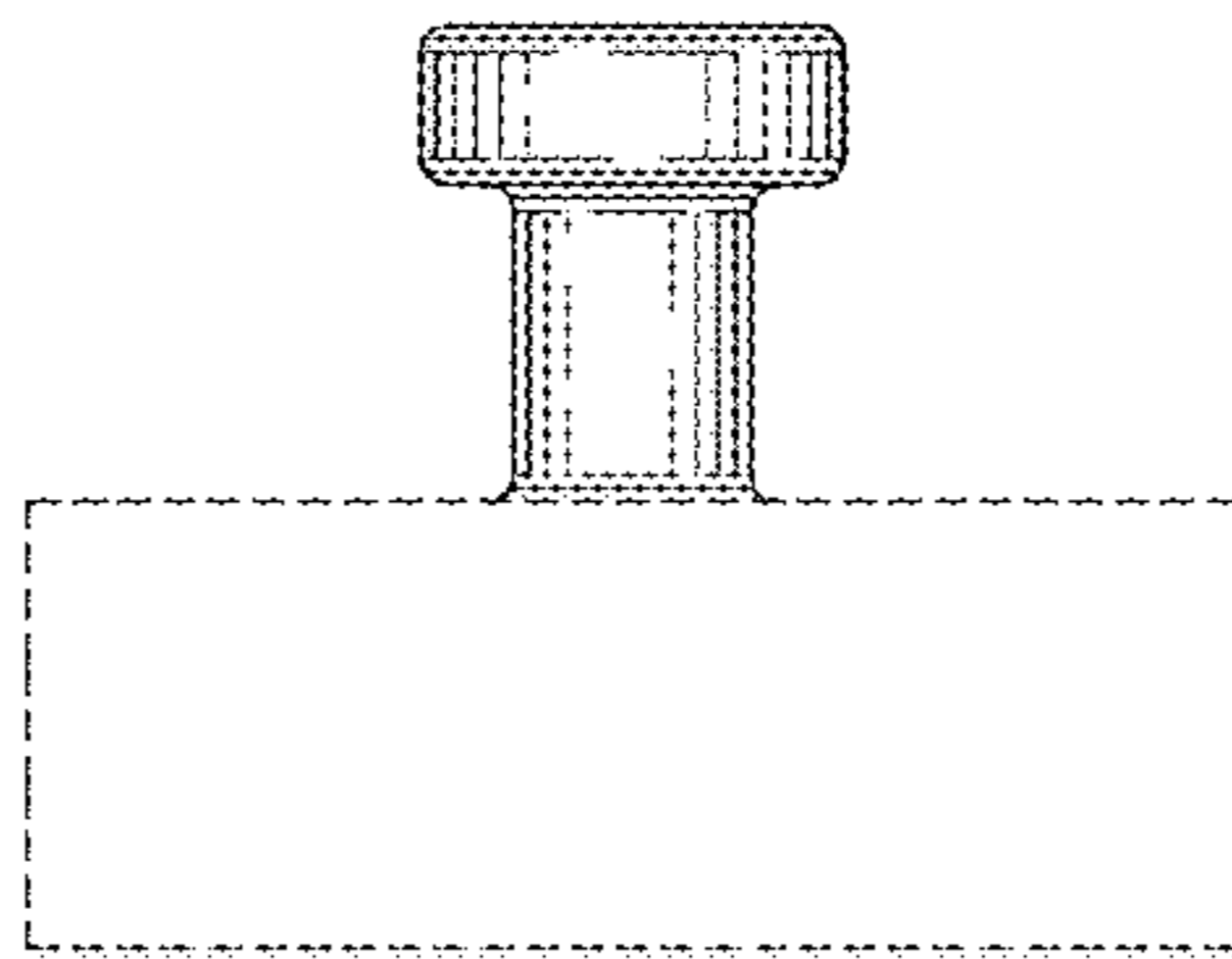


FIG. 14