

US00D865498S

(12) **United States Design Patent** (10) **Patent No.:** **US D865,498 S**
Krake et al. (45) **Date of Patent:** **** Nov. 5, 2019**

(54) **HANGER** 2,765,998 A * 10/1956 Engert A47G 1/17
248/205.3
(71) Applicant: **UNDER THE ROOF DECORATING** D212,553 S * 10/1968 Hekman D8/367
INC., Calgary (CA) 3,768,767 A 10/1973 Dobkowski
4,073,455 A * 2/1978 Gunther H02B 1/04
248/291.1
(72) Inventors: **Kelly Krake, Calgary (CA); Liette** 4,314,429 A 2/1982 Casteel et al.
Tousignant, Calgary (CA); Michael 4,337,915 A * 7/1982 Cali A47G 25/0628
Kurtz, Calgary (CA); Ian Matthew 248/217.1
Campana, Calgary (CA) 4,771,974 A 9/1988 Carlson
(Continued)

(73) Assignee: **UNDER THE ROOF DECORATING**
INC., Calgary (CA)

(**) Term: **15 Years**

(21) Appl. No.: **29/665,610**

(22) Filed: **Oct. 5, 2018**

(30) **Foreign Application Priority Data**

Apr. 8, 2018 (CN) 2018 3 0137946
Apr. 8, 2018 (CN) 2018 3 0137948

(51) **LOC (12) Cl.** **08-05**

(52) **U.S. Cl.**
USPC **D8/367**

(58) **Field of Classification Search**
USPC D8/367, 356, 354, 349, 18, 105, 368,
D8/397; D11/208, 218; 248/341;
224/217
CPC A45F 5/021; A44B 13/0029; F16B 45/00;
F16M 13/02; A45C 13/03
See application file for complete search history.

(56) **References Cited**

U.S. PATENT DOCUMENTS

1,035,740 A 8/1912 Raes
1,439,302 A 12/1922 Erickson
1,745,814 A 2/1930 Pendleton
D130,744 S * 12/1941 Krasemann, Sr. D8/371
2,679,998 A * 6/1954 Keller F16B 47/003
248/205.3

OTHER PUBLICATIONS

Brick Clip, Lee Valley, from the Internet <http://www.leevalley.com/us/gifts/page.aspx?p=10437&cat=53209&ap=4>.

(Continued)

Primary Examiner — Cynthia R Underwood

(74) *Attorney, Agent, or Firm* — Norton Rose Fulbright
Canada LLP; Alexandre Daoust

(57) **CLAIM**

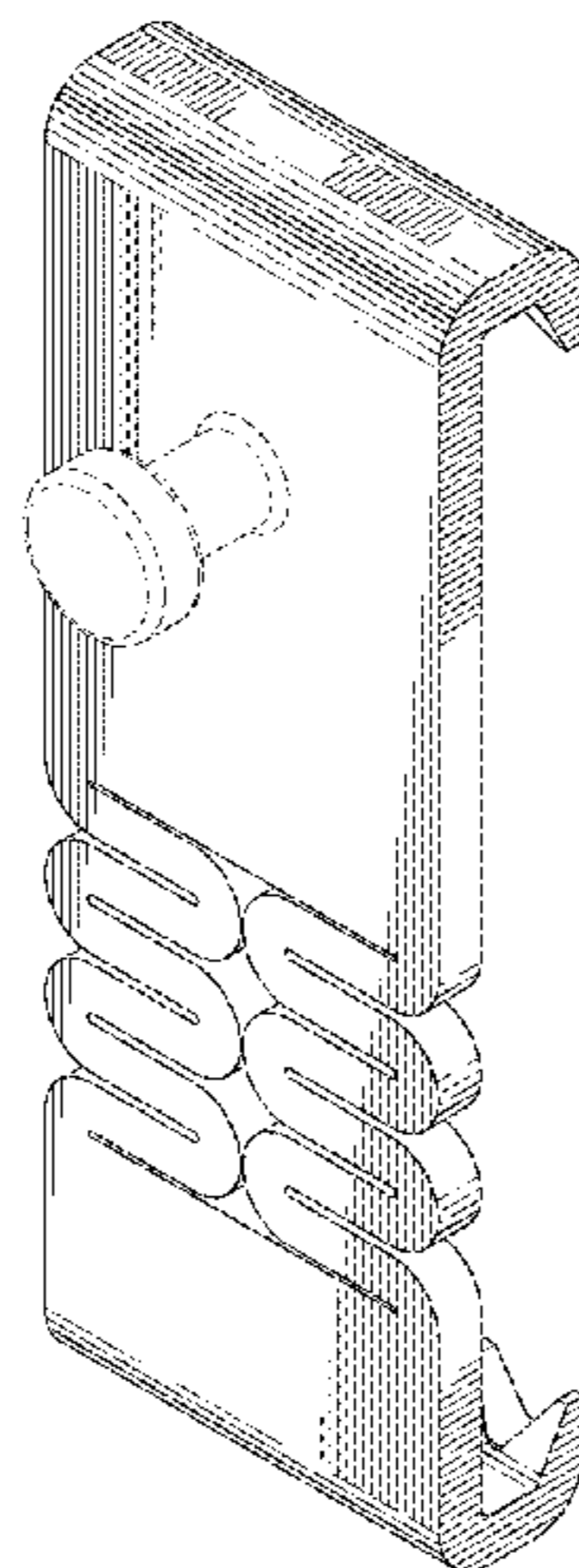
The ornamental design for a hanger, as shown and described.

DESCRIPTION

FIG. 1 is an oblique perspective view of an hanger showing our new design;
FIG. 2 is a front elevation view thereof;
FIG. 3 is a left side elevation view thereof;
FIG. 4 is a right side elevation view thereof;
FIG. 5 is a rear elevation view thereof;
FIG. 6 is a top plan view thereof; and,
FIG. 7 is a bottom plan thereof.

In all figures, solid line shading is used to better illustrate the three-dimensional ornamental features of the design. The lightweight broken lines are included to show unclaimed subject matter and to delimit claimed solid line portions of the design from unclaimed subject-matter.

1 Claim, 4 Drawing Sheets



(56)

References Cited

U.S. PATENT DOCUMENTS

4,872,629 A 10/1989 Cothran et al.
D307,539 S * 5/1990 Goodman D8/367
D312,038 S 11/1990 Sachs
5,022,623 A 6/1991 Laarman
5,267,719 A 12/1993 Keller
D345,497 S * 3/1994 Miller D8/367
D373,948 S 10/1996 Etzel et al.
5,560,574 A 10/1996 Vanderploeg
5,630,257 A * 5/1997 Brody B60P 7/0823
24/130
5,682,652 A * 11/1997 Brody B60P 7/0823
24/130
D390,014 S * 2/1998 Ho D6/323
6,273,380 B1 8/2001 Fillipp et al.
6,375,137 B1 4/2002 McQuade et al.
6,497,396 B1 12/2002 Adams
D491,446 S * 6/2004 Vidmar D8/373
6,932,310 B1 8/2005 Diss
7,175,143 B1 2/2007 Ho
7,287,354 B2 10/2007 Rivers et al.
D554,481 S * 11/2007 Newbould D8/367
D554,482 S * 11/2007 Hager D8/367
D557,171 S * 12/2007 Davison D11/82
D565,939 S * 4/2008 Newbould D8/367
7,357,364 B2 4/2008 Jackson et al.
D579,322 S * 10/2008 Newbould D8/367
D593,852 S * 6/2009 Hoebeek D8/394
D620,342 S * 7/2010 Mikkelsen D8/354
7,823,853 B2 11/2010 Larson et al.
7,833,620 B2 * 11/2010 Enserink F16B 47/003
248/205.3
D632,951 S * 2/2011 McGreevy D8/367
D641,228 S * 7/2011 Qiblawi D8/367
D657,054 S * 4/2012 Bacon D24/128
D667,293 S * 9/2012 Thompson D8/367
D672,223 S * 12/2012 Thompson D8/356
D678,041 S * 3/2013 Pan D8/367

D680,804 S * 4/2013 Gilboe D7/367
D682,663 S * 5/2013 Evon D8/367
D687,686 S * 8/2013 Robinson D8/14
D697,387 S * 1/2014 Starck D8/367
D697,388 S * 1/2014 Pan D8/367
D697,389 S * 1/2014 Pan D8/367
D699,097 S * 2/2014 Chung D8/354
D700,041 S * 2/2014 Cobianco D8/367
D707,111 S * 6/2014 Callif D8/367
D714,622 S * 10/2014 Pan D8/367
D714,623 S * 10/2014 Pan D8/367
D715,133 S * 10/2014 Pan D8/367
D715,625 S * 10/2014 Pan D8/367
D715,626 S * 10/2014 Pan D8/367
D718,184 S * 11/2014 Nealon D11/202
D744,322 S * 12/2015 Cobianco D8/370
D762,456 S 8/2016 Lo et al.
D769,700 S * 10/2016 Chinchon D8/356
D793,281 S * 8/2017 Maier D11/234
D817,730 S * 5/2018 Petersen D8/14
D817,749 S * 5/2018 Ryu D8/367
D817,830 S * 5/2018 Archambault D12/190
D842,082 S * 3/2019 Thompson D8/367
D849,515 S * 5/2019 Sokoly D8/367
D852,611 S * 7/2019 Shoenhair D8/367
2003/0189144 A1 10/2003 Byrne
2010/0155557 A1 6/2010 Carty

OTHER PUBLICATIONS

Hillman Brick/Block Hangers, from the Internet https://www.lowes.ca/picture-hangers/the-hillman-group-brickblock-hangers_g1496778.html.
Brick Hook Hanger Bric Crab, from the Internet <https://ozdingo.com.au/products/brick-hook-hanger>.
Brick Hangers—Set of 4, from the Internet <https://www.improvementscatalog.com/brick-hangers-set-of-4/10098>.
Big Green Leaf Brick Utility Hook 3 95, from the Internet <https://www.pinterest.ca/pin/8373949281112597/> (Sara Clark Partyka's Page).

* cited by examiner

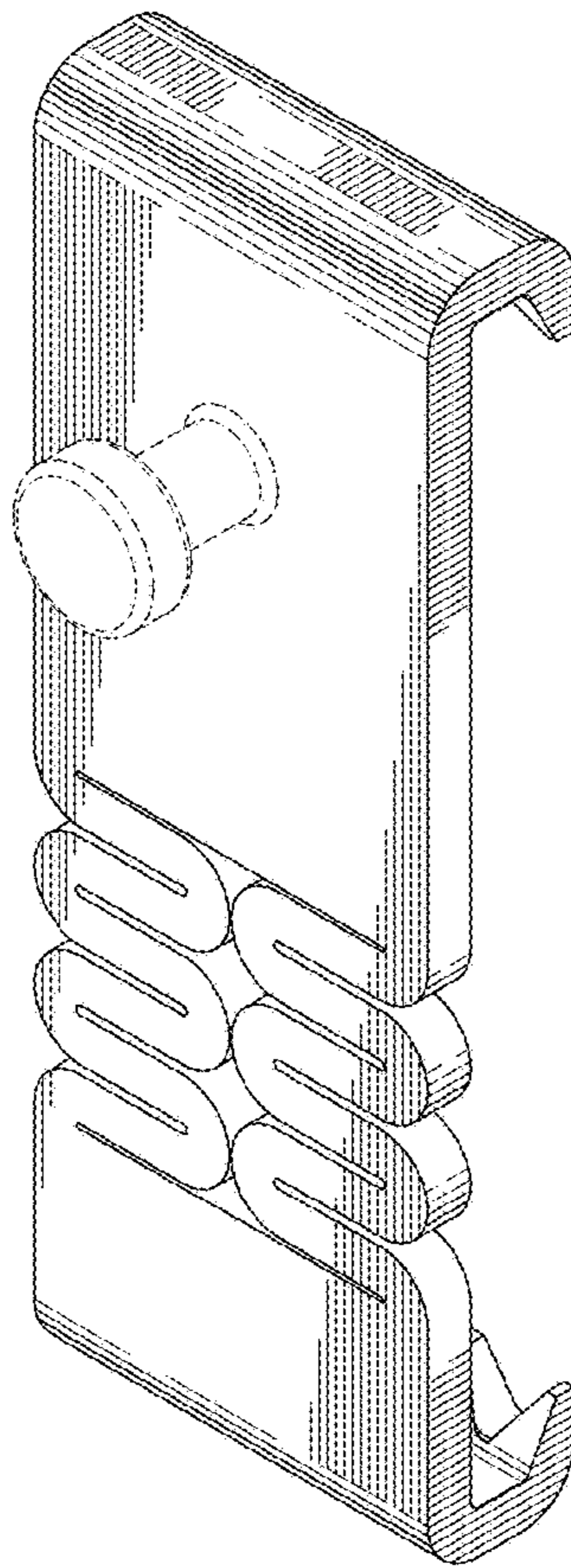


Fig. 1

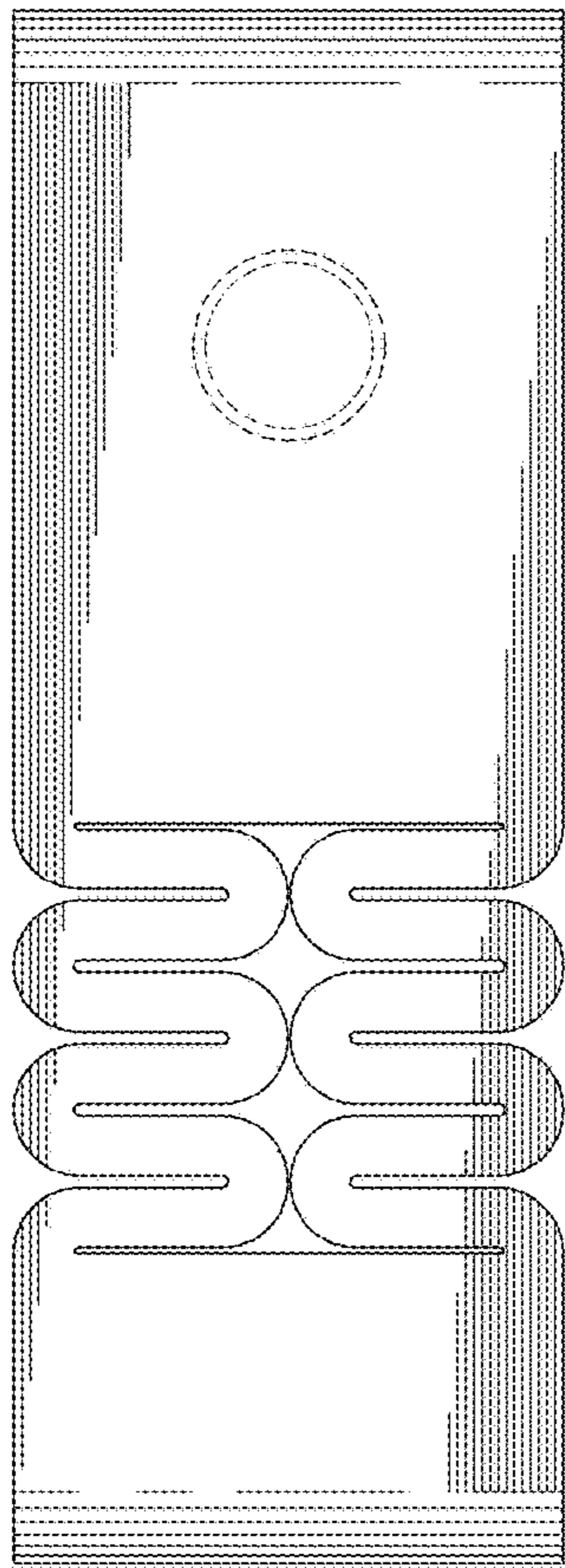


FIG. 2

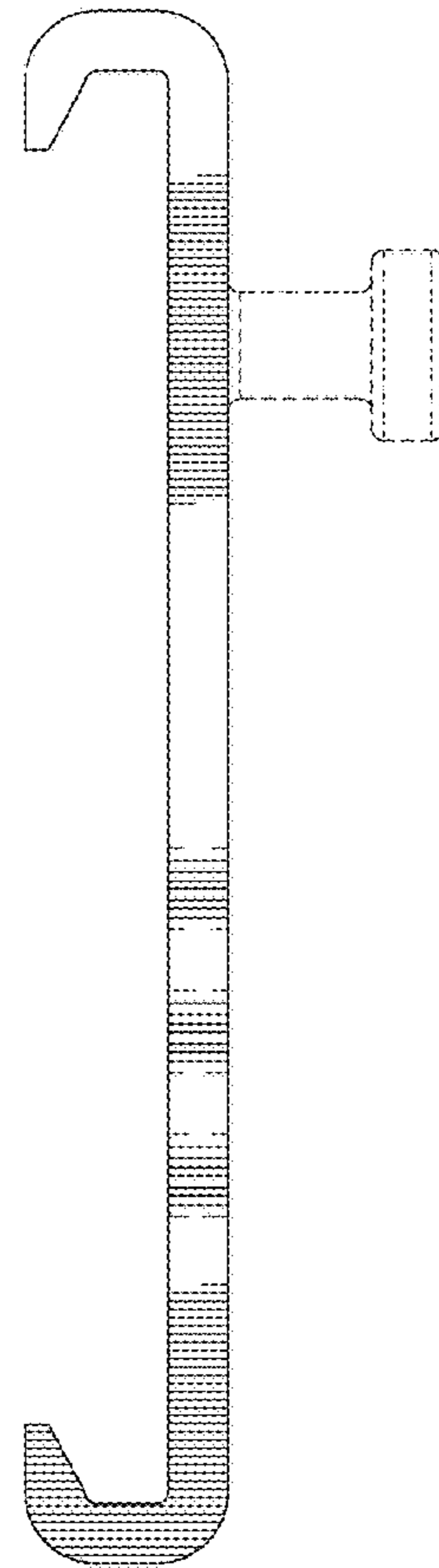


FIG. 3

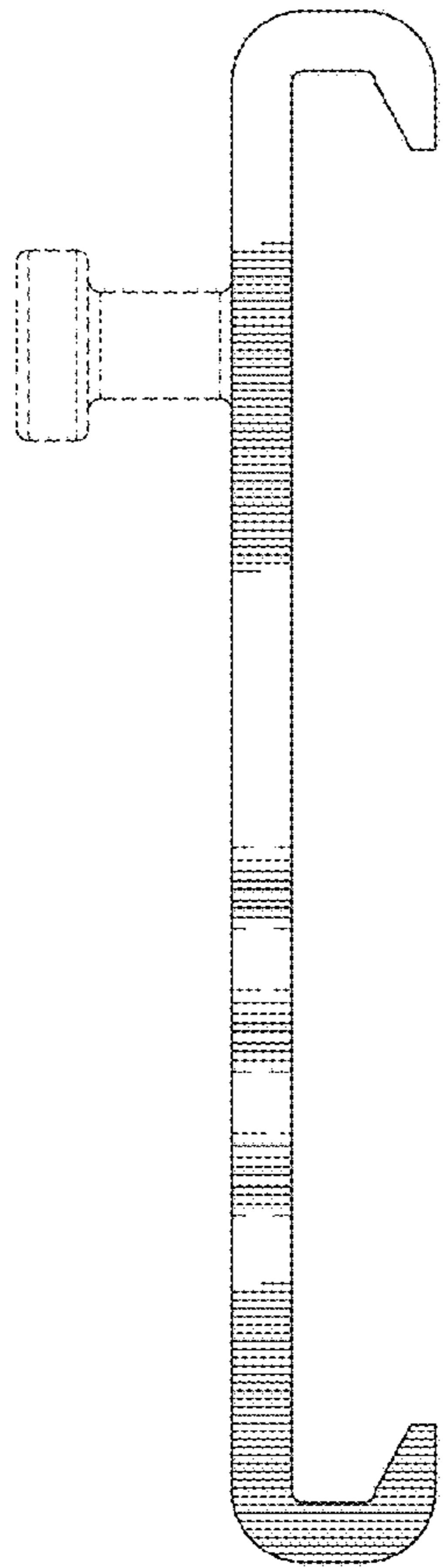


FIG. 4

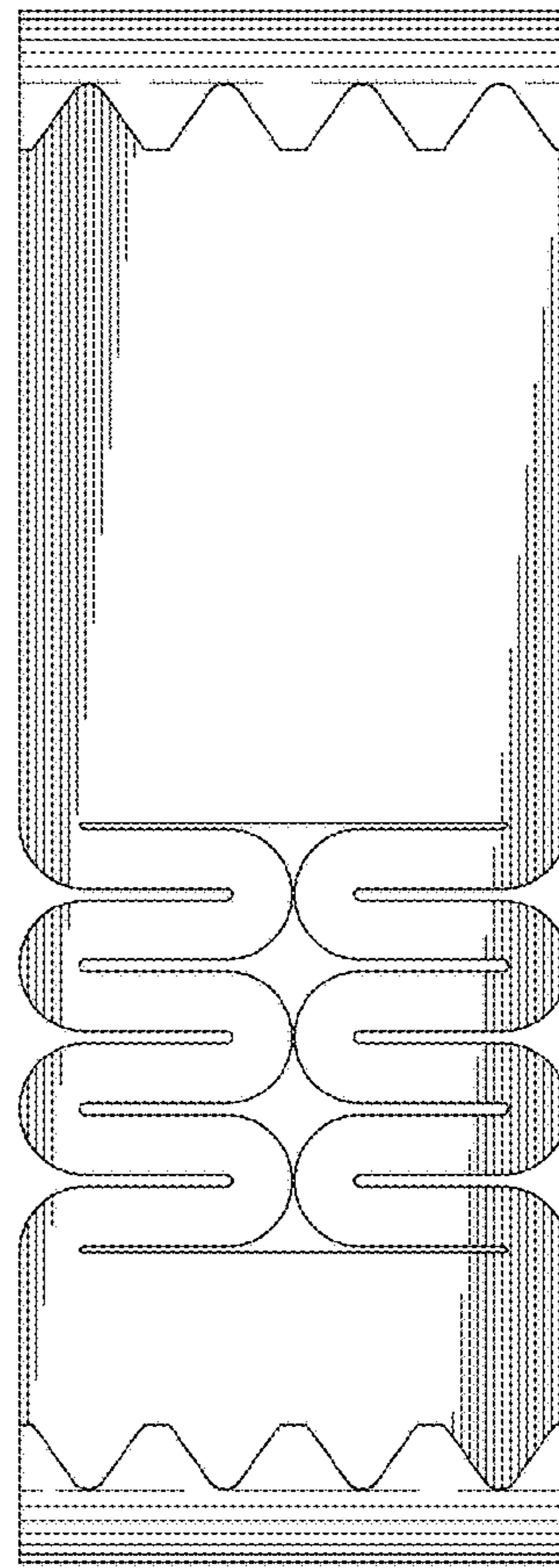


FIG. 5

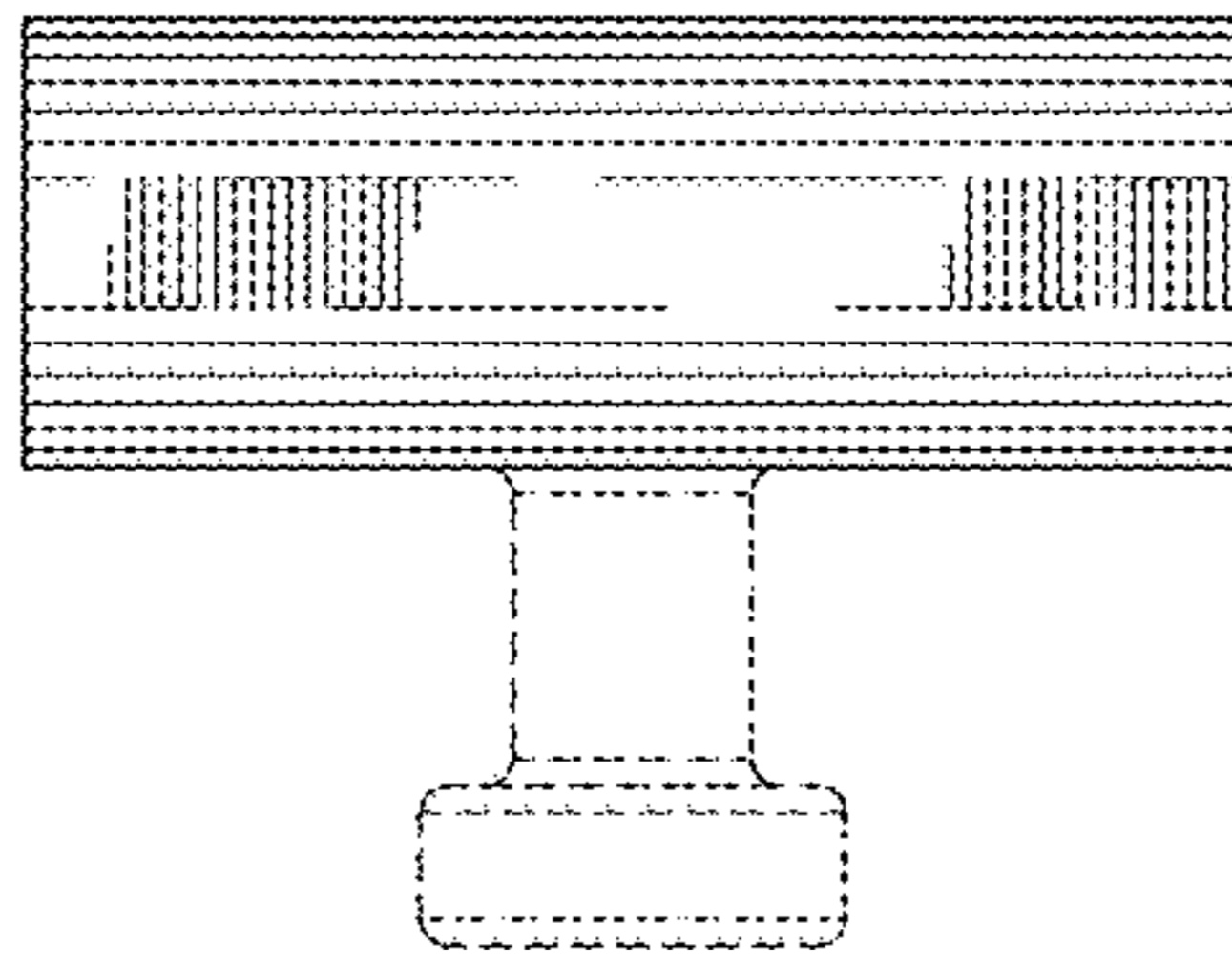


FIG. 6

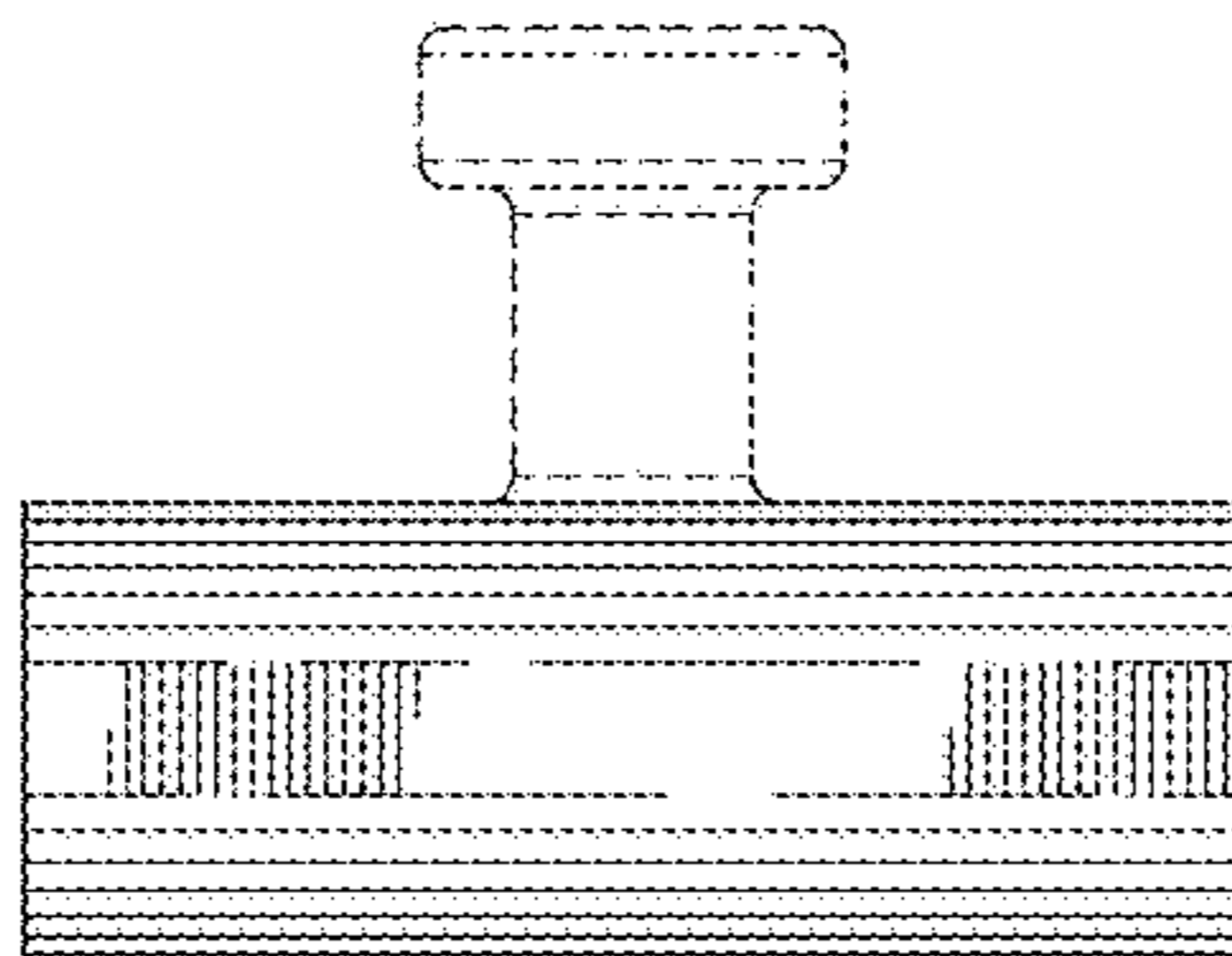


FIG. 7