



US00D865495S

(12) **United States Design Patent**  
**Bahler**

(10) **Patent No.:** **US D865,495 S**

(45) **Date of Patent:** **\*\* Nov. 5, 2019**

- (54) **ROBE HOOK**
- (71) Applicant: **DELTA FAUCET COMPANY**,  
Indianapolis, IN (US)
- (72) Inventor: **Jordan Bahler**, Frankfort, IN (US)
- (73) Assignee: **DELTA FAUCET COMPANY**,  
Indianapolis, IN (US)
- (\*\*) Term: **15 Years**
- (21) Appl. No.: **29/646,175**
- (22) Filed: **May 2, 2018**
- (51) **LOC (12) Cl.** ..... **08-05**
- (52) **U.S. Cl.**  
USPC ..... **D8/367; D6/323**
- (58) **Field of Classification Search**  
USPC ..... D8/367, 356, 354, 349, 18, 105, 368,  
D8/397; D11/208, 218; 248/341;  
224/217; D6/323  
CPC ..... A45F 5/021; A45F 5/102; A44B 13/0029;  
F16B 45/00; F16M 13/02; A45C 13/03  
See application file for complete search history.

- D692,244 S \* 10/2013 Romero ..... D6/323
- D720,937 S \* 1/2015 Fritz ..... D6/323
- D753,471 S \* 4/2016 Schraufnagel ..... D8/367
- D756,204 S \* 5/2016 Forrest ..... D8/367
- D769,640 S \* 10/2016 Chang ..... D6/524
- D787,204 S \* 5/2017 Georgeson ..... D6/323
- D808,252 S \* 1/2018 Forrest ..... D8/367

\* cited by examiner

*Primary Examiner* — Cynthia R Underwood

(74) *Attorney, Agent, or Firm* — Edgar A. Zarins; Nirav D. Parikh

(57) **CLAIM**

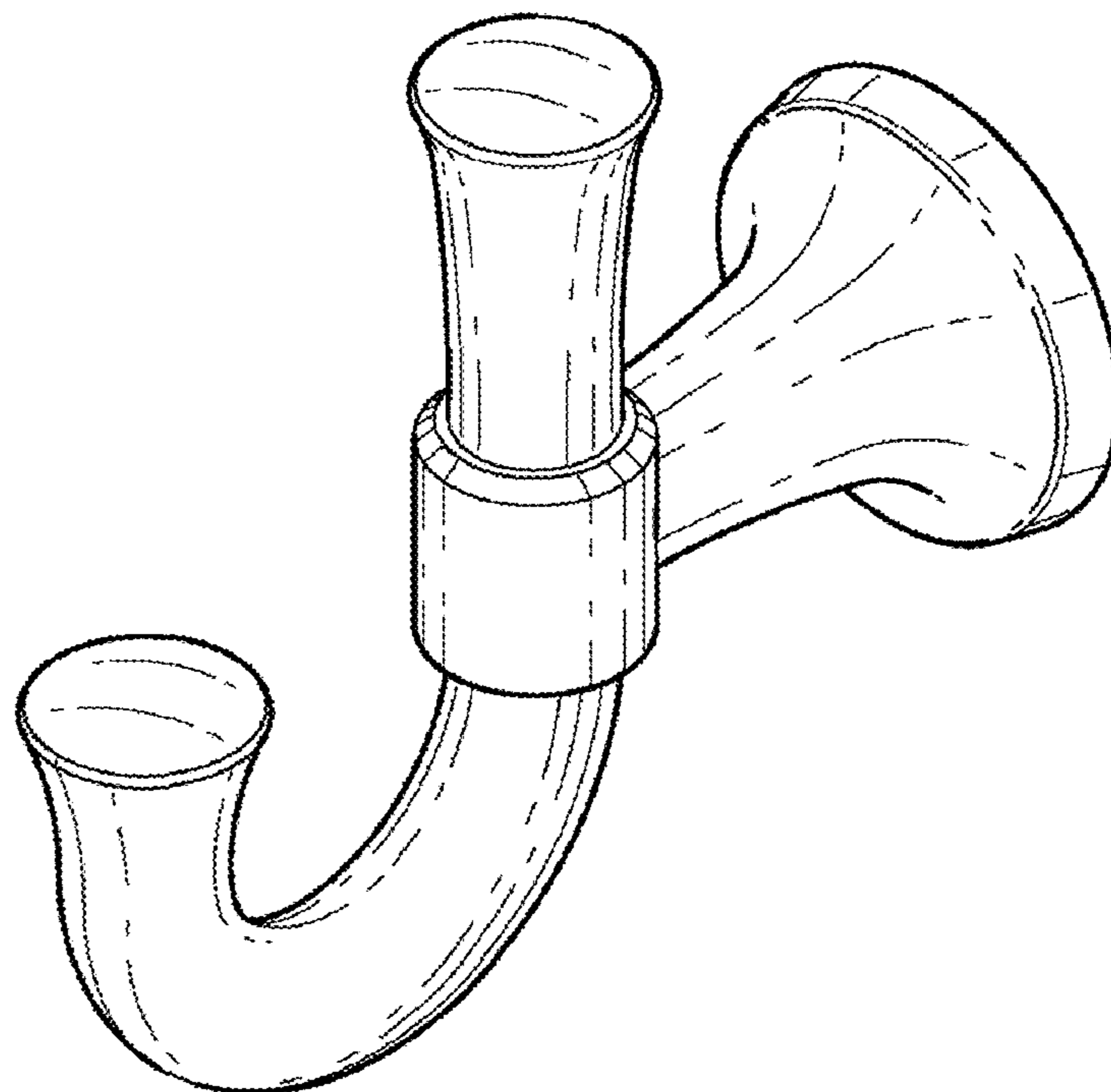
The ornamental design for a robe hook, as shown and described.

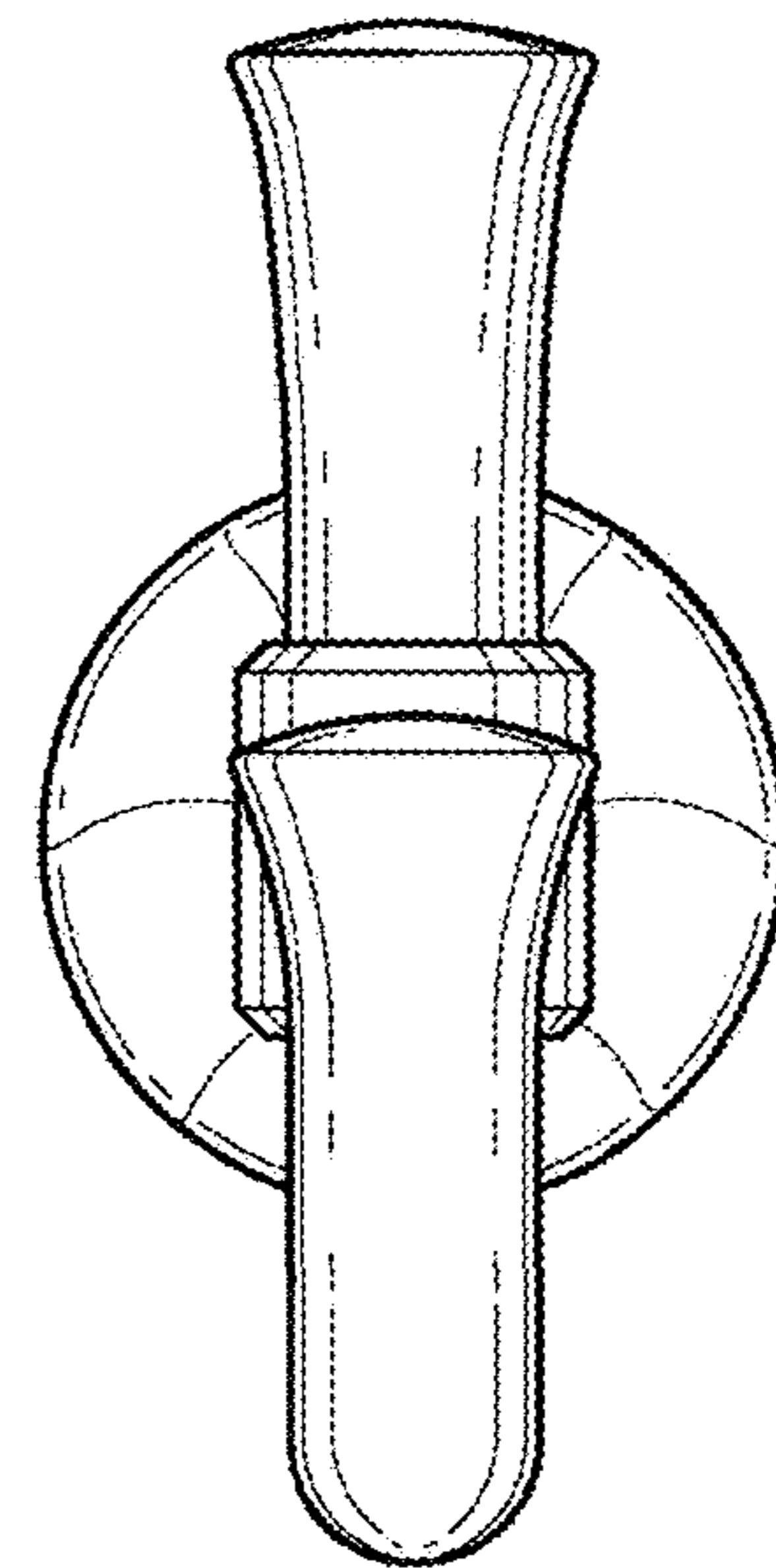
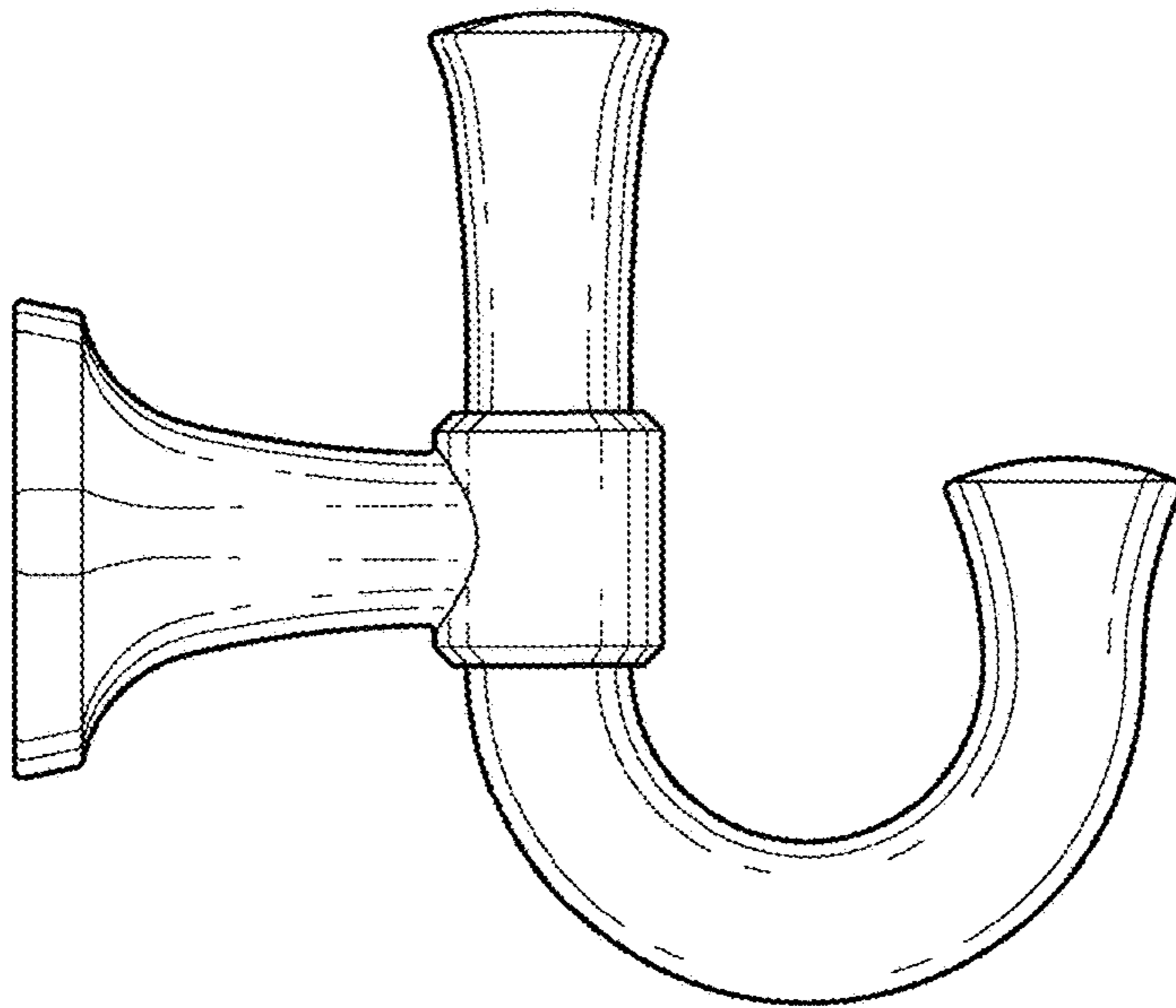
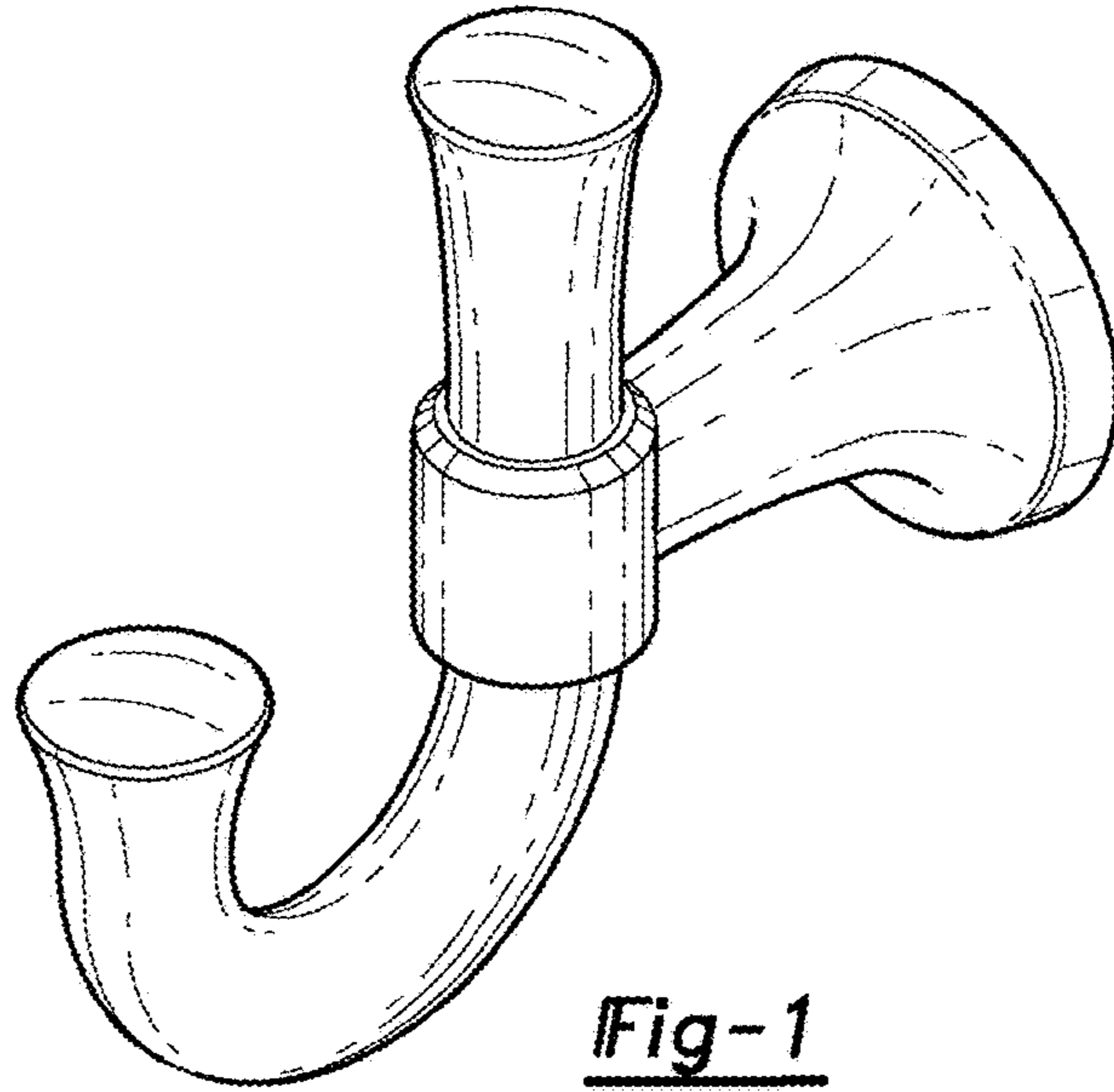
**DESCRIPTION**

FIG. 1 is a perspective view of a robe hook showing my new design;  
 FIG. 2 is a right side view thereof, the opposite side being a mirror image of the side shown;  
 FIG. 3 is a front elevational view thereof;  
 FIG. 4 is a rear view thereof;  
 FIG. 5 is a top plan view thereof; and,  
 FIG. 6 is a bottom view thereof.  
 The broken-line disclosure in the view represents a portion of the robe hook in which the claimed design is embodied, but which forms no part of the claimed design.

**1 Claim, 2 Drawing Sheets**

- (56) **References Cited**  
U.S. PATENT DOCUMENTS
- D526,132 S \* 8/2006 Solowiej ..... D6/323
- D548,469 S \* 8/2007 Hoernig ..... D6/323
- D580,186 S \* 11/2008 Krumpe ..... D6/323
- D672,636 S \* 12/2012 Krumpe ..... D6/323





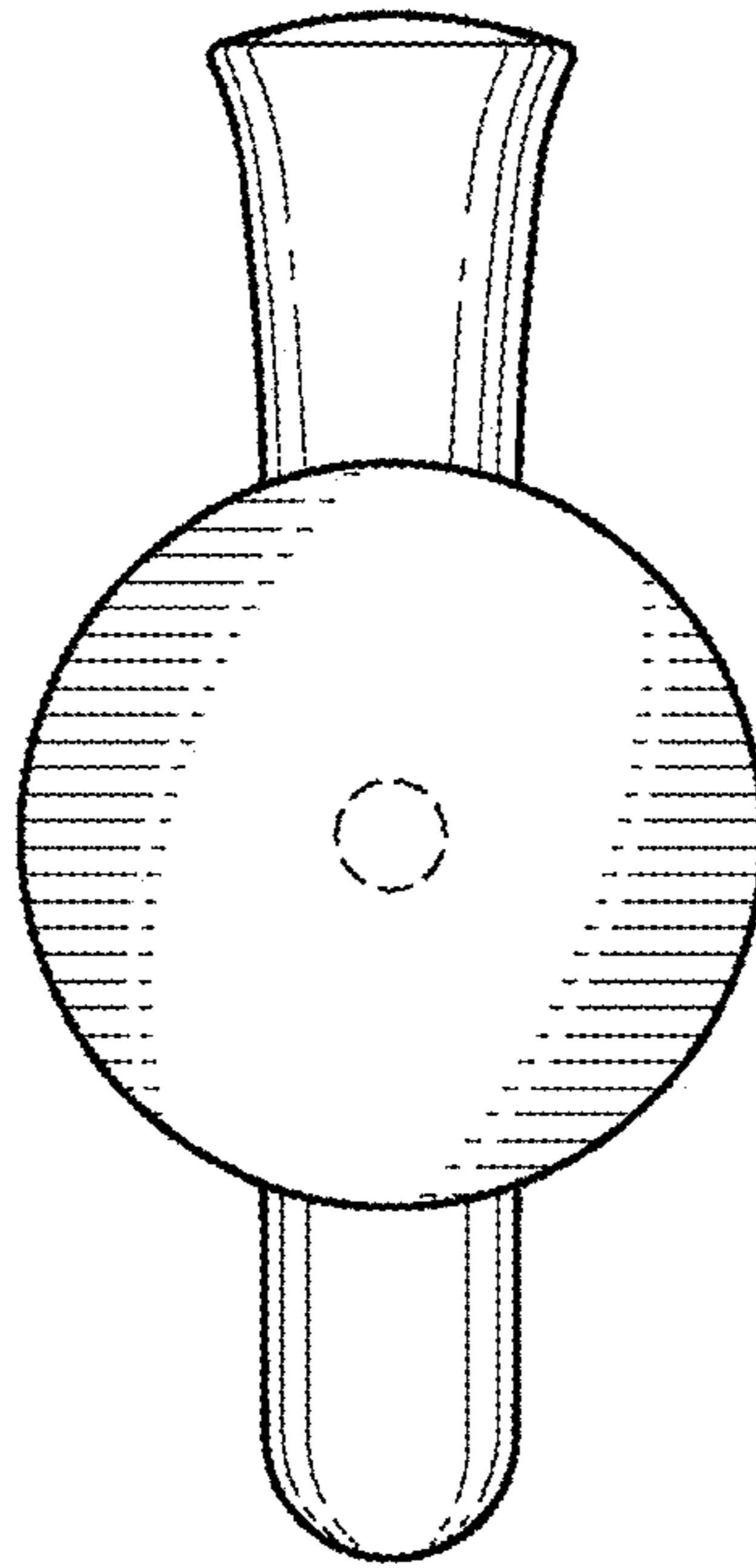


Fig-4

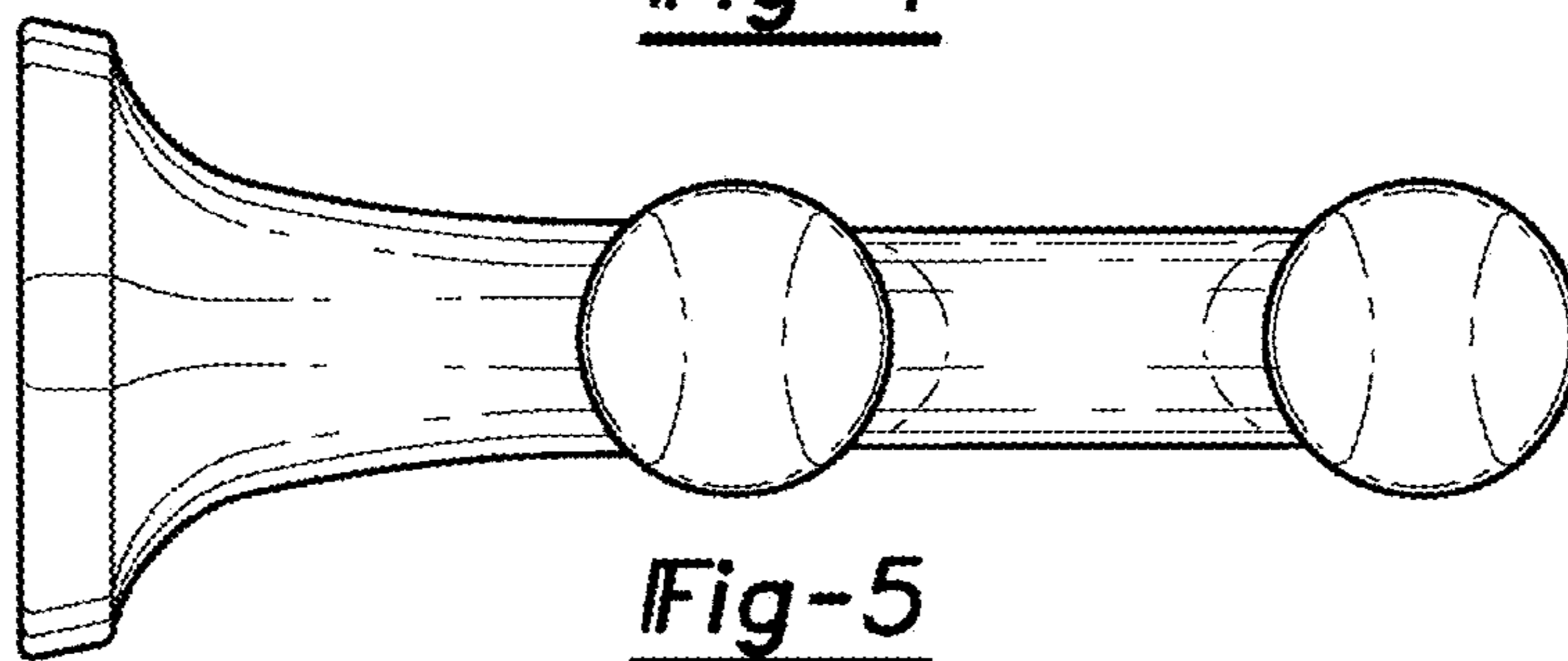


Fig-5

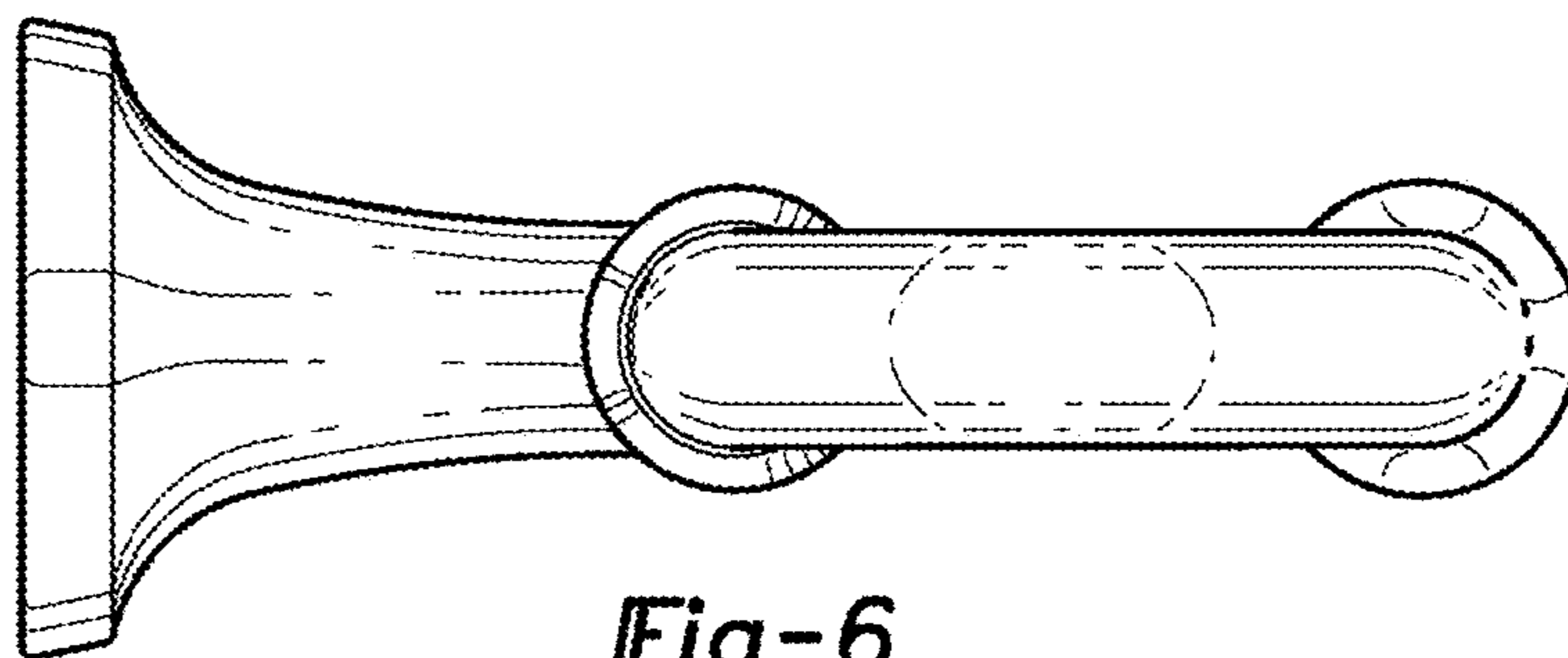


Fig-6