



US00D865494S

(12) **United States Design Patent**
Adelman

(10) **Patent No.:** **US D865,494 S**

(45) **Date of Patent:** **** Nov. 5, 2019**

- (54) **HOOK**
- (71) Applicant: **Greyfin LLC**, Boulder, CO (US)
- (72) Inventor: **Gregory Marc Adelman**, Boulder, CO (US)
- (73) Assignee: **Greyfin LLC**, Boulder, CO (US)
- (**) Term: **15 Years**
- (21) Appl. No.: **29/645,969**
- (22) Filed: **Apr. 30, 2018**
- (51) **LOC (12) Cl.** **08-05**
- (52) **U.S. Cl.**
USPC **D8/367**
- (58) **Field of Classification Search**
USPC D8/367, 356, 354, 349, 18, 105, 368;
D11/208, 218; 248/341; 224/217
CPC A45F 5/021; A45F 5/102; A44B 13/0029;
F16B 45/00; F16M 13/02; A45C 13/03
See application file for complete search history.

- 5,970,777 A * 10/1999 Hunt B42F 1/06
29/13
- 6,457,218 B1 * 10/2002 Lawrence B42F 1/10
24/3.12
- 6,543,737 B2 * 4/2003 Decker A47K 10/185
248/316.1
- D478,499 S * 8/2003 Winig D8/367
- D494,050 S * 8/2004 Klein D6/513
- 7,234,671 B2 * 6/2007 Avinger A01G 5/04
248/215
- D584,939 S * 1/2009 Snell D8/367
- D597,666 S * 8/2009 George D24/128
- D605,934 S * 12/2009 Mirer D8/395
- D613,589 S * 4/2010 Goodman D8/367
- 7,992,833 B1 * 8/2011 Goodman A47G 25/0614
248/298.1
- D694,613 S * 12/2013 Miles D8/367

(Continued)

OTHER PUBLICATIONS

Huckberry, "The Hook," (<https://huckberry.com/store/the-james-brand/category/p/45735-the-hook>), retrieved Apr. 5, 2018, 12 Pages.

Primary Examiner — Cynthia R Underwood
(74) *Attorney, Agent, or Firm* — Sterne, Kessler, Goldstein & Fox P.L.L.C.

(56) **References Cited**

U.S. PATENT DOCUMENTS

- 2,284,029 A * 5/1942 Welling A45F 5/08
224/217
- 2,453,392 A * 11/1948 Williams A01D 46/243
224/197
- 3,089,597 A * 5/1963 Kaplan A47K 10/185
221/46
- D216,359 S * 12/1969 Feuerer D8/367
- 3,585,674 A * 6/1971 Golden A47H 13/00
16/87.6 R
- D342,889 S * 1/1994 Adams D8/367
- D363,453 S * 10/1995 Herdt D11/78.1
- D373,526 S * 9/1996 Roethler D8/367
- D391,146 S * 2/1998 Cutler D8/367
- 5,738,319 A * 4/1998 Grassi A47G 7/044
248/215

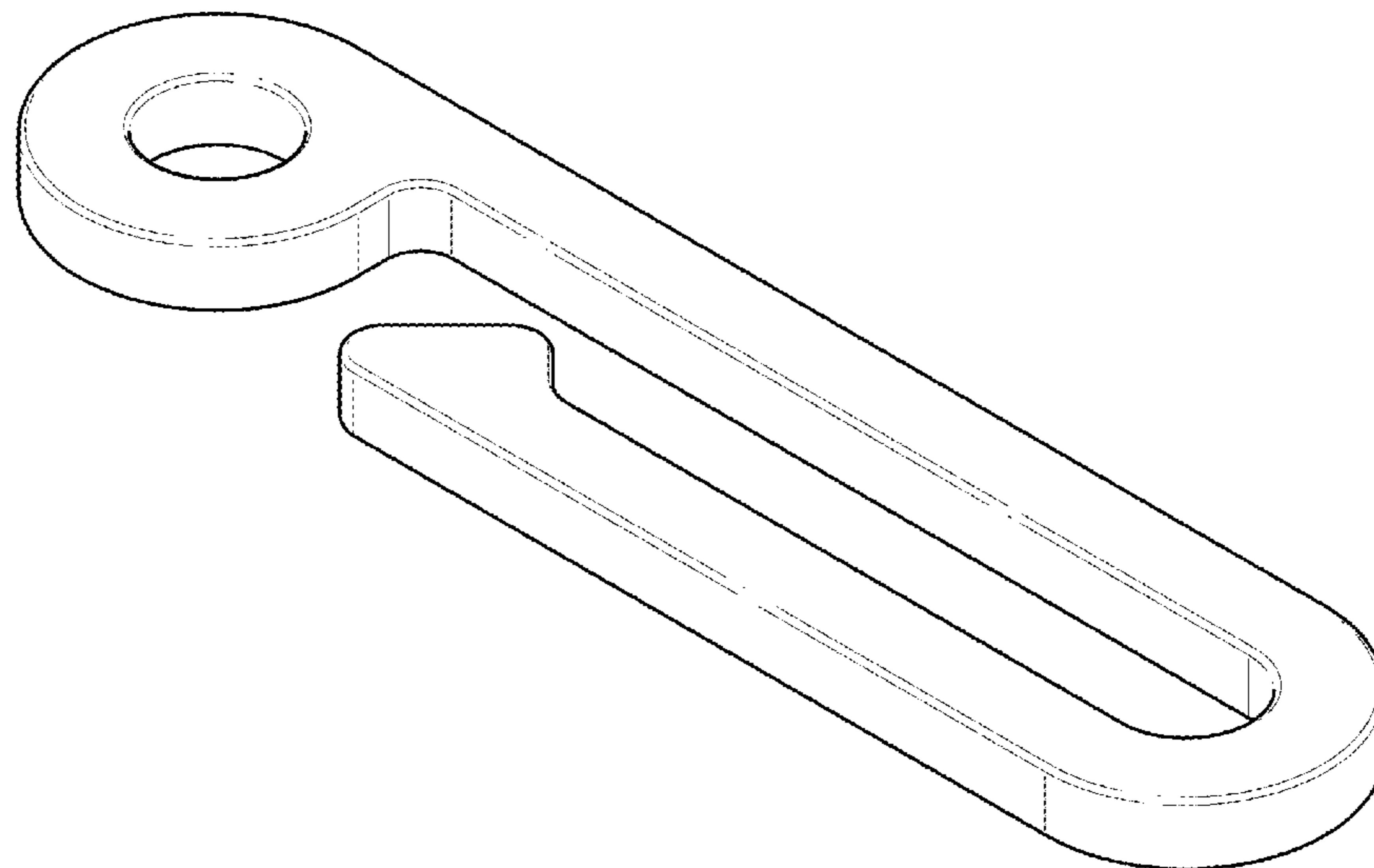
(57) **CLAIM**

The ornamental design for a hook, as shown and described.

DESCRIPTION

FIG. 1 is a bottom front perspective view of a hook showing the claimed design;
FIG. 2 is a front view thereof;
FIG. 3 is a rear view thereof;
FIG. 4 is a left side view thereof;
FIG. 5 is a right side view thereof;
FIG. 6 is a top view thereof; and,
FIG. 7 is a bottom view thereof.

1 Claim, 3 Drawing Sheets



(56)

References Cited

U.S. PATENT DOCUMENTS

D697,785	S *	1/2014	Davis	D8/367
8,672,002	B2 *	3/2014	Stein	A45C 13/001
					150/104
D714,626	S *	10/2014	Trifari, Jr.	D8/354
D721,264	S *	1/2015	Babicki	D8/367
D746,127	S *	12/2015	Cohen	D8/367
D757,513	S *	5/2016	Heins	D8/40
9,375,074	B2 *	6/2016	Moreau	A45F 5/02
D766,707	S *	9/2016	Greenleaf	D8/367
9,433,261	B1 *	9/2016	Miles	A44B 13/0029
D773,041	S *	11/2016	Lentsch	D24/128
D784,044	S *	4/2017	Sokoly	D6/552
D802,399	S *	11/2017	Ward	D8/367
D819,431	S *	6/2018	Goodman	D8/367
D827,315	S *	9/2018	Taylor	D6/323
D834,338	S *	11/2018	Taylor	D6/323
10,130,203	B2 *	11/2018	Yoo	A47G 19/22
D837,040	S *	1/2019	Connor	D8/367
D840,791	S *	2/2019	Caudle	D8/367
D844,782	S *	4/2019	Arora	D24/130
D849,516	S *	5/2019	Johnson	D8/367
D850,244	S *	6/2019	Goodman	D8/367
2004/0178240	A1 *	9/2004	Bauer	A45F 5/02
					224/268
2015/0150389	A1 *	6/2015	Nilsson	B25H 3/04
					248/220.42

* cited by examiner

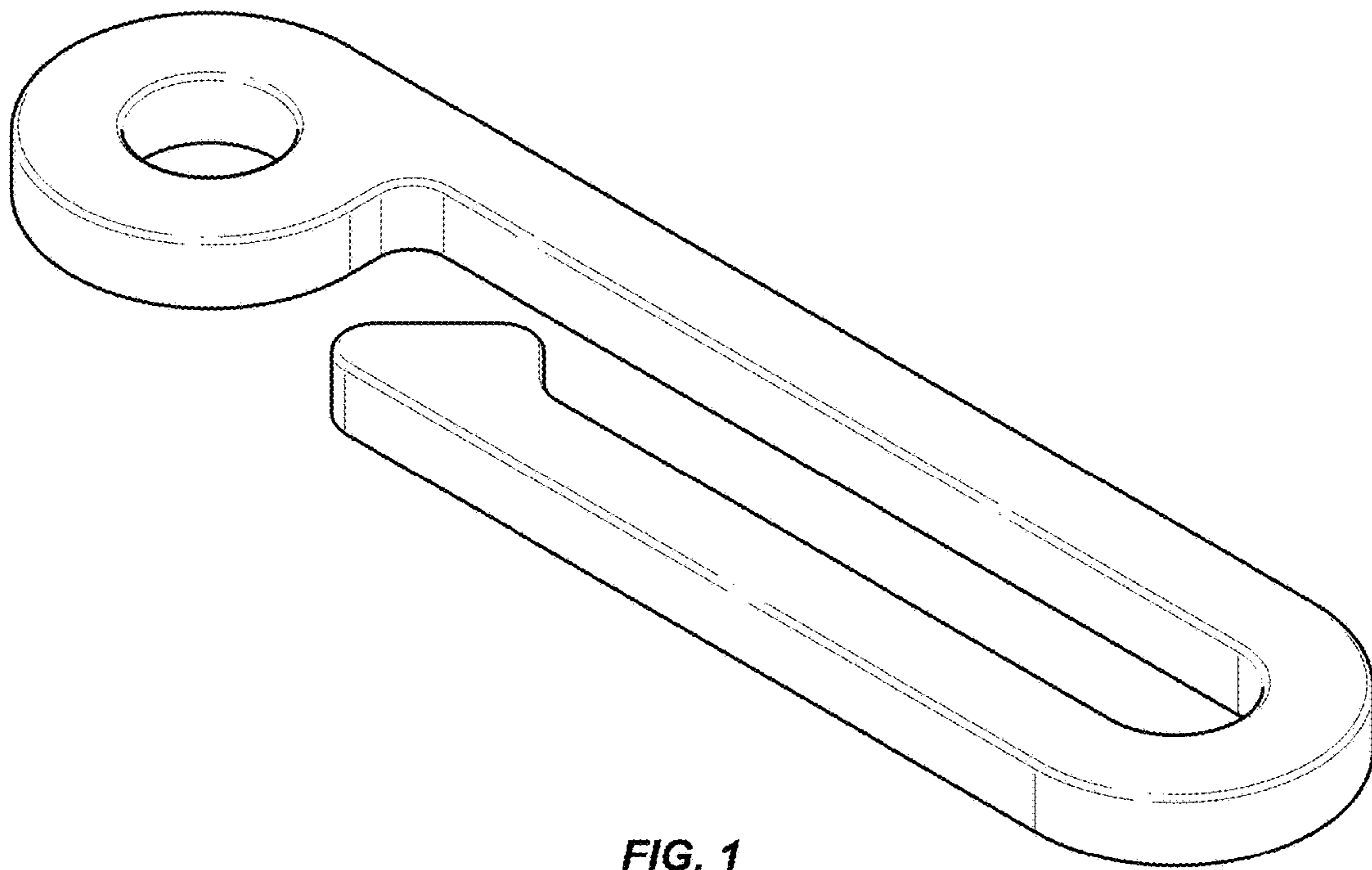


FIG. 1

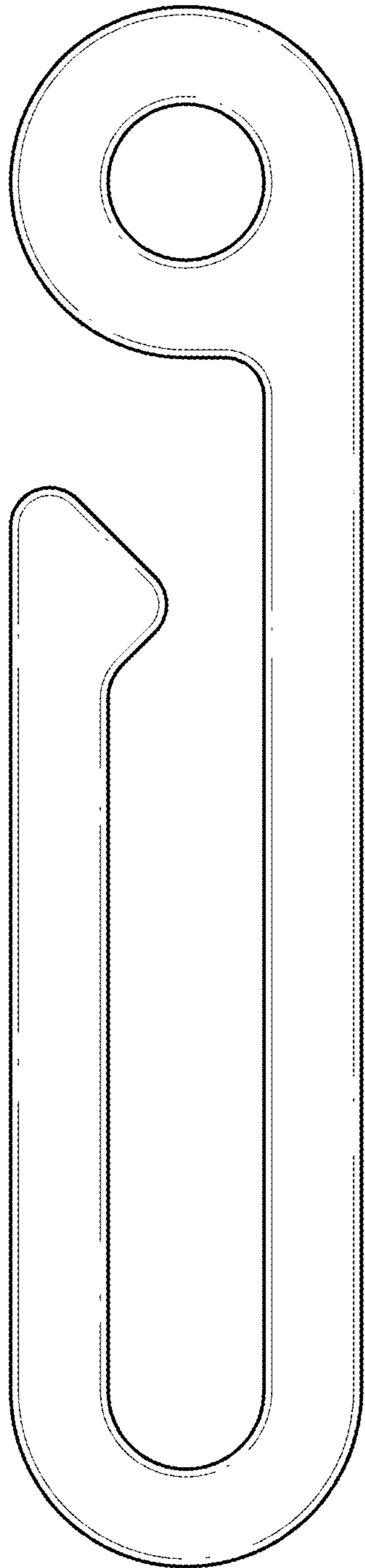


FIG. 2

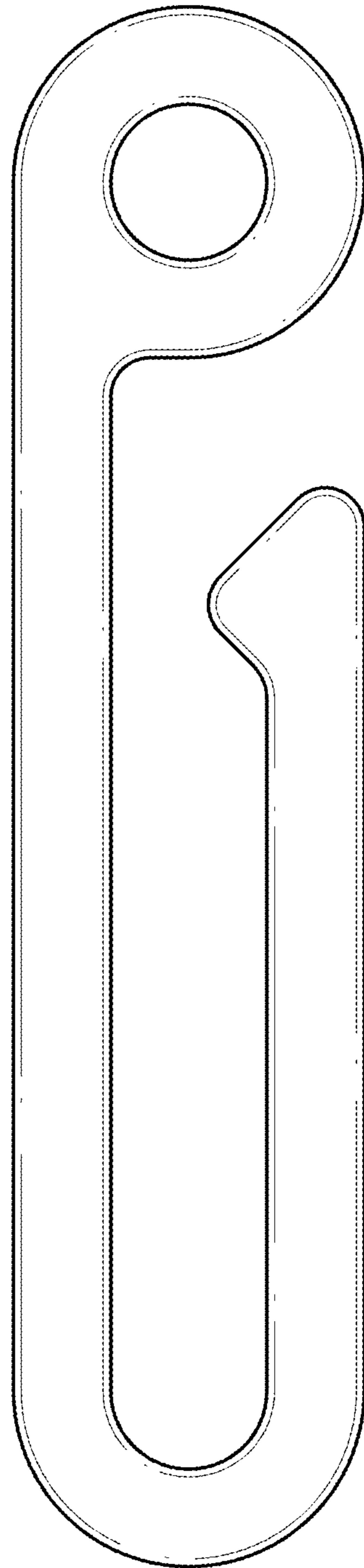


FIG. 3

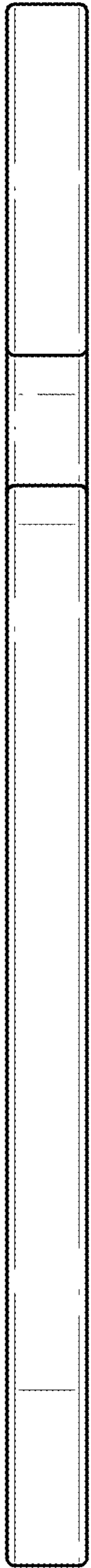


FIG. 4

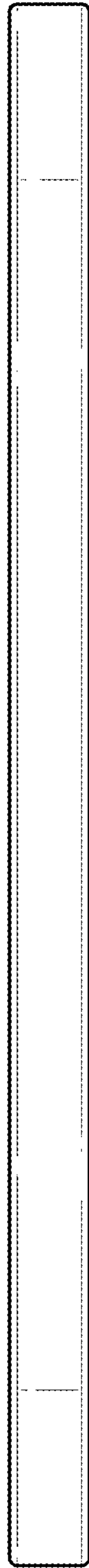


FIG. 5

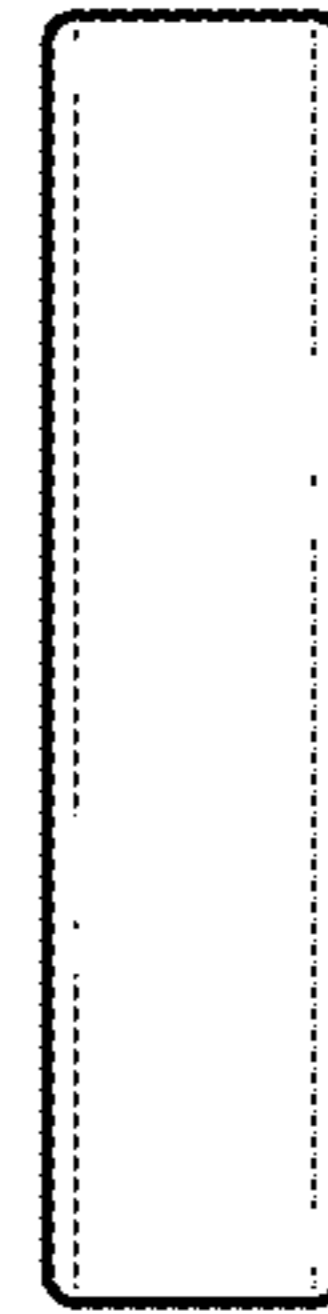


FIG. 6

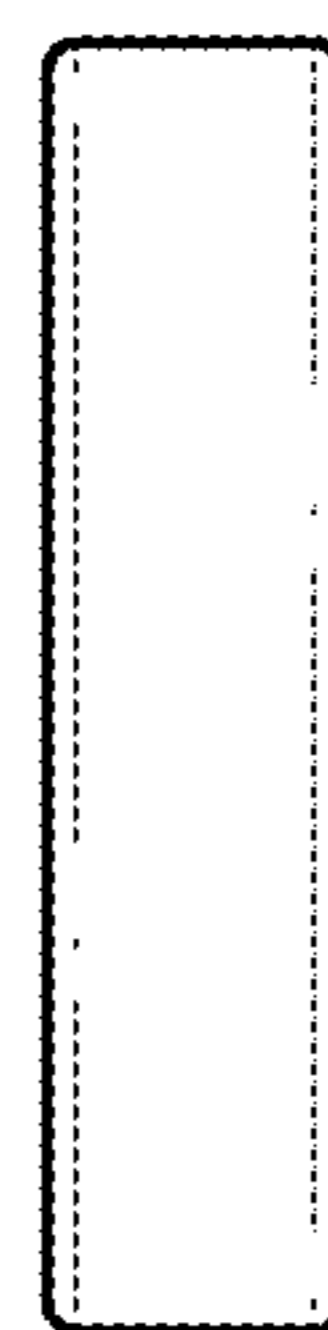


FIG. 7