



US00D865493S

(12) **United States Design Patent**
Feng et al.

(10) **Patent No.:** **US D865,493 S**

(45) **Date of Patent:** **** Nov. 5, 2019**

(54) **CARABINER**

(71) Applicants: **Haoyu Feng**, Sunnyvale, CA (US); **Dan Xiong**, Sunnyvale, CA (US); **Jinyao Feng**, Sunnyvale, CA (US)

(72) Inventors: **Haoyu Feng**, Sunnyvale, CA (US); **Dan Xiong**, Sunnyvale, CA (US); **Jinyao Feng**, Sunnyvale, CA (US)

(73) Assignee: **Touching Design LLC**, Sunnyvale, CA (US)

(**) Term: **15 Years**

(21) Appl. No.: **29/694,223**

(22) Filed: **Jun. 7, 2019**

(51) **LOC (12) Cl.** **09-06**

(52) **U.S. Cl.**
USPC **D8/356; D8/105**

(58) **Field of Classification Search**
USPC D8/367, 356, 354, 349, 105; 24/599.9
CPC B65H 57/16; B63B 21/045; F16B 45/02
See application file for complete search history.

(56) **References Cited**

U.S. PATENT DOCUMENTS

D622,574 S *	8/2010	Garcia	D8/105
D649,862 S *	12/2011	Arvinte	D8/339
D708,047 S *	7/2014	Petzl	D8/356
D764,899 S *	8/2016	Petzl	D8/356
D790,327 S *	6/2017	Renforth	D8/356
D799,300 S *	10/2017	Chang	D8/105

2007/0186393 A1 *	8/2007	Thompson	F16B 45/02 24/599.9
2009/0056088 A1 *	3/2009	Petzl	F16B 45/02 24/599.9
2011/0138587 A1 *	6/2011	Walker	F16B 45/02 24/599.5
2012/0011688 A1 *	1/2012	Yang	F16B 45/02 24/599.8
2014/0123447 A1 *	5/2014	Calvert	F16B 45/025 24/599.9
2014/0245576 A1 *	9/2014	Perner	F16B 45/02 24/600.1
2016/0363159 A1 *	12/2016	Yeh	F16B 45/02
2018/0100649 A1 *	4/2018	Mojica	F23Q 1/06

* cited by examiner

Primary Examiner — Cynthia R Underwood

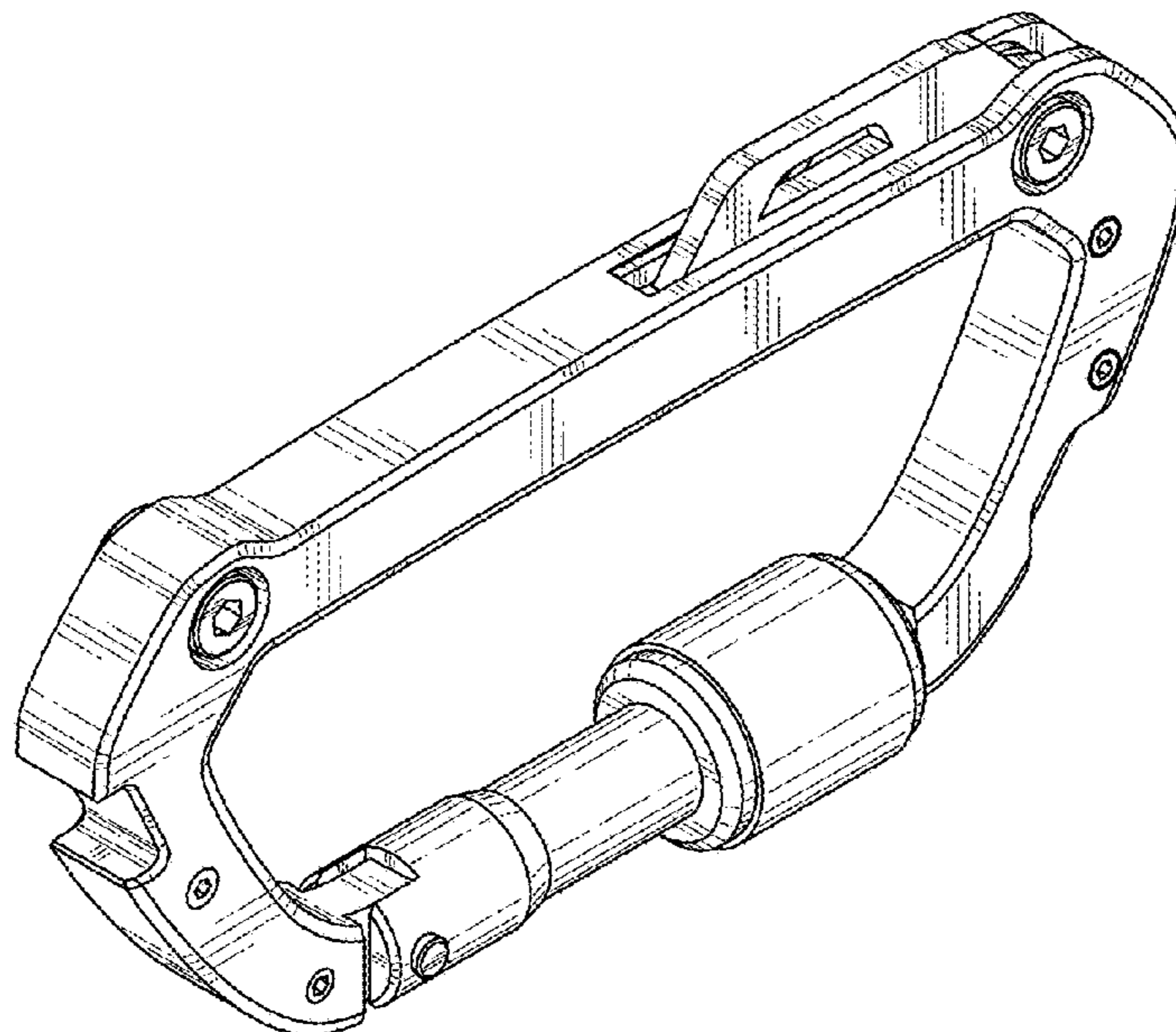
(57) **CLAIM**

The ornamental design for a carabiner, as shown and described.

DESCRIPTION

FIG. 1 is a back, first side, and bottom perspective view of a carabiner embodying the new design;
FIG. 2 is a front, second side, and top perspective view thereof;
FIG. 3 is a first side view thereof;
FIG. 4 is a second side view thereof;
FIG. 5 is a front view thereof;
FIG. 6 is a back view thereof;
FIG. 7 is a bottom view thereof; and,
FIG. 8 is a top view thereof.

1 Claim, 8 Drawing Sheets



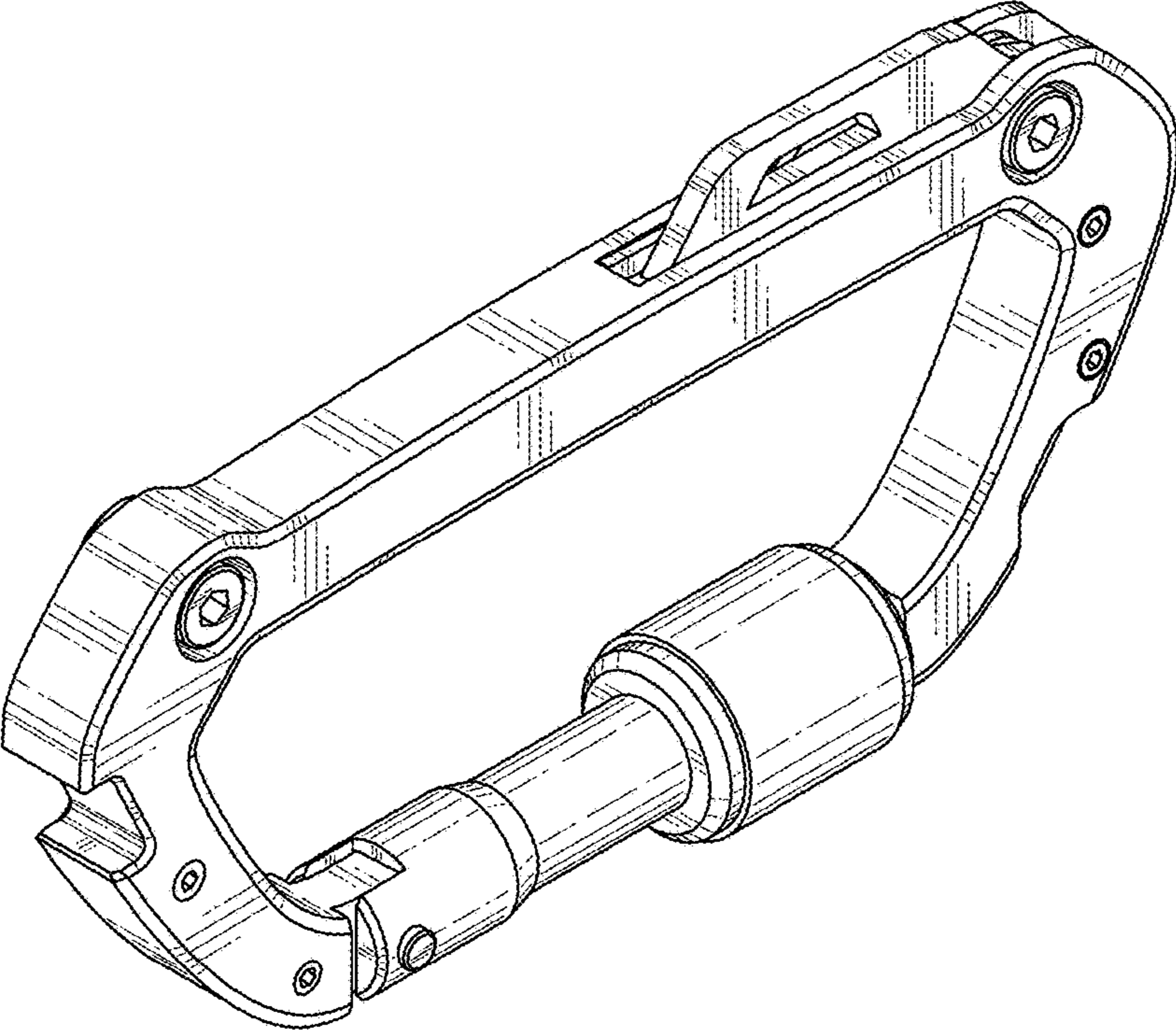


FIG. 1

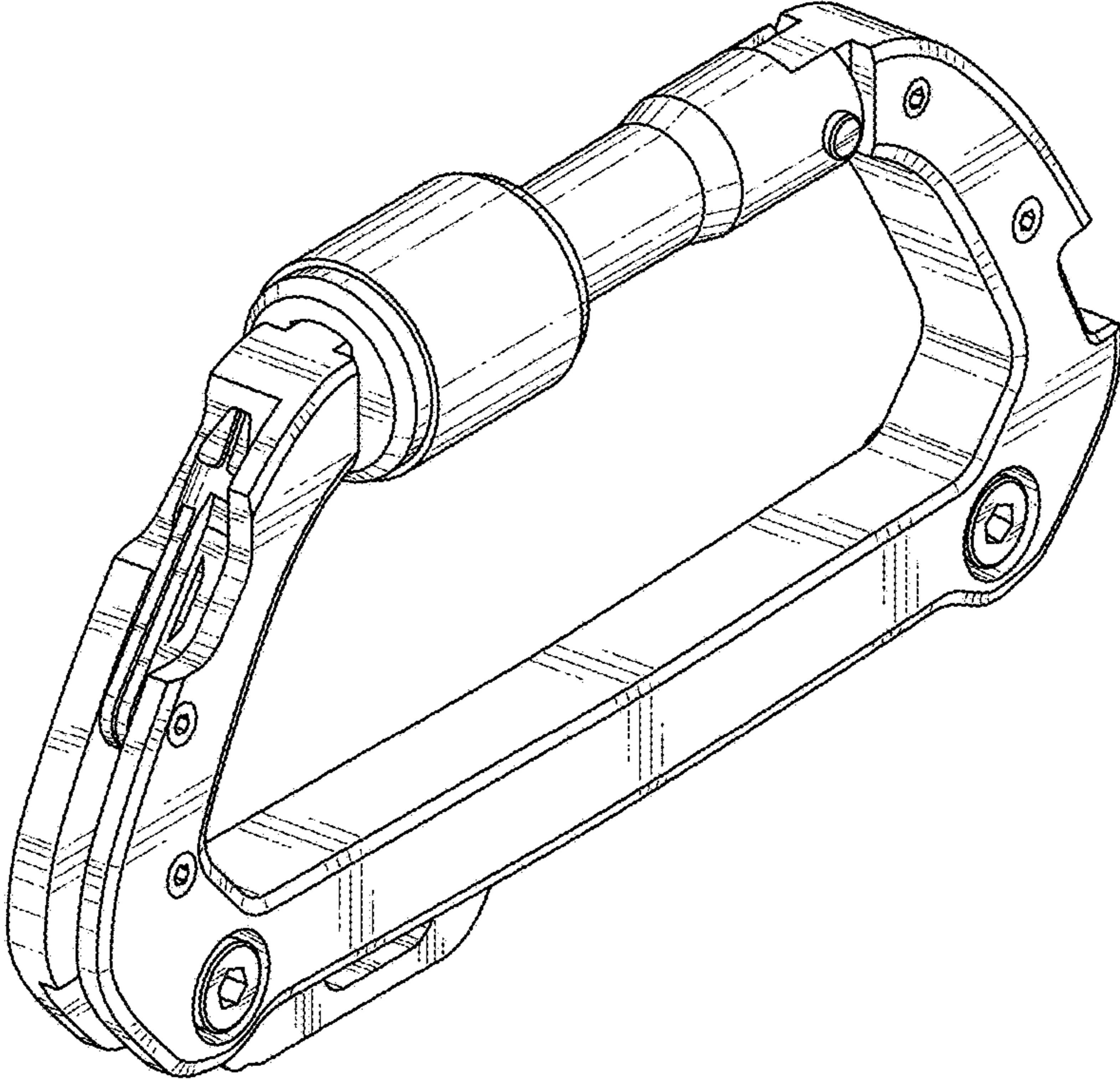


FIG. 2

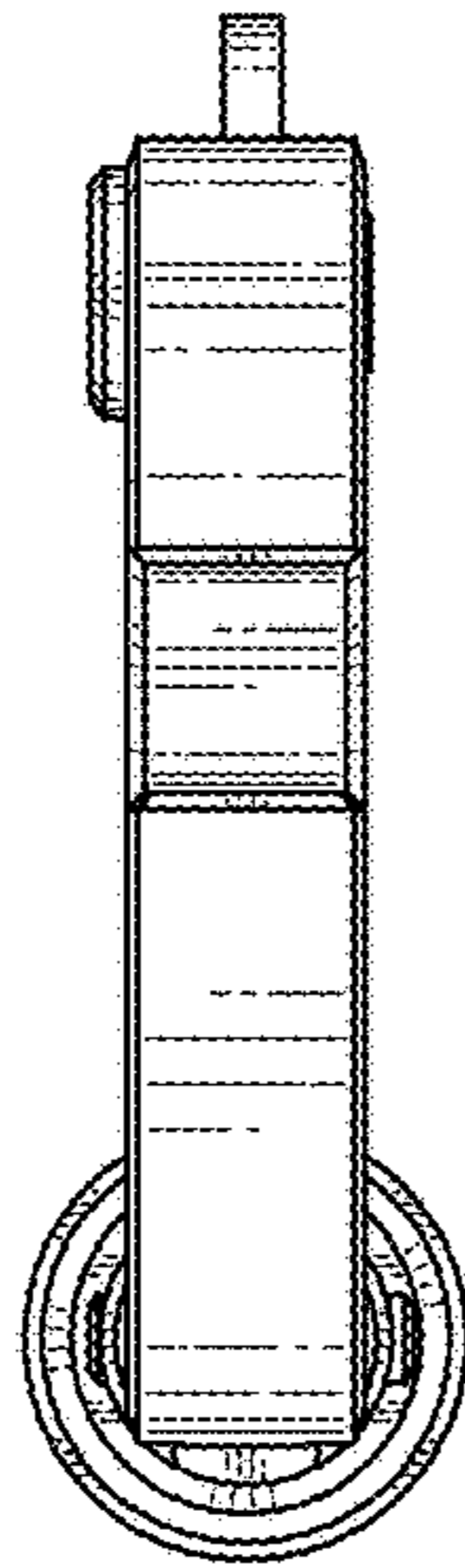


FIG. 3

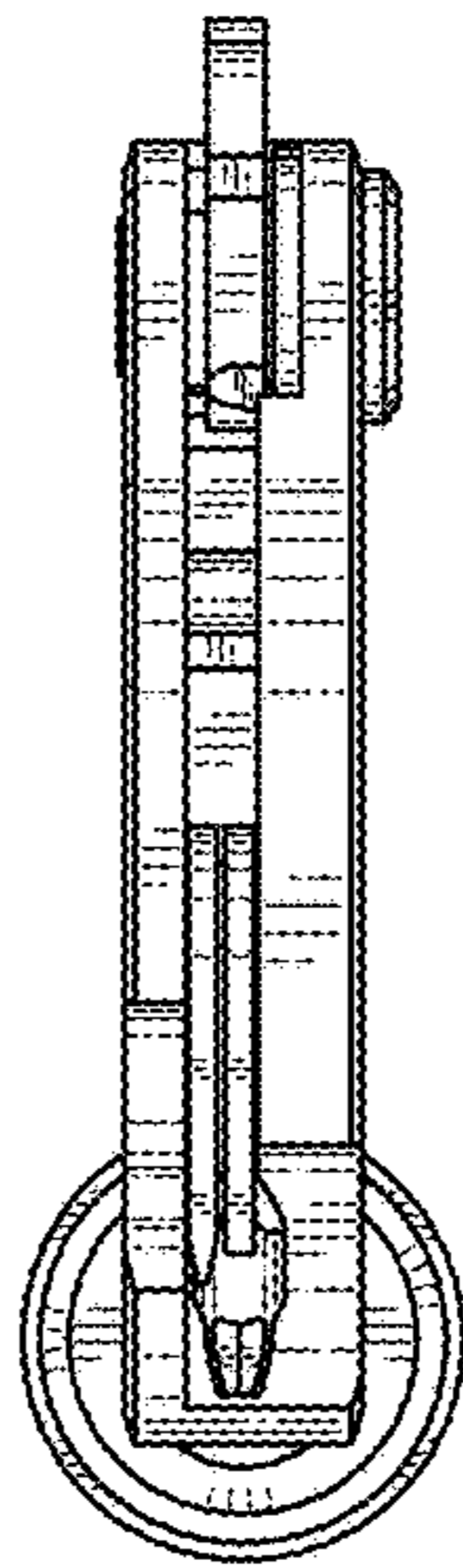


FIG. 4

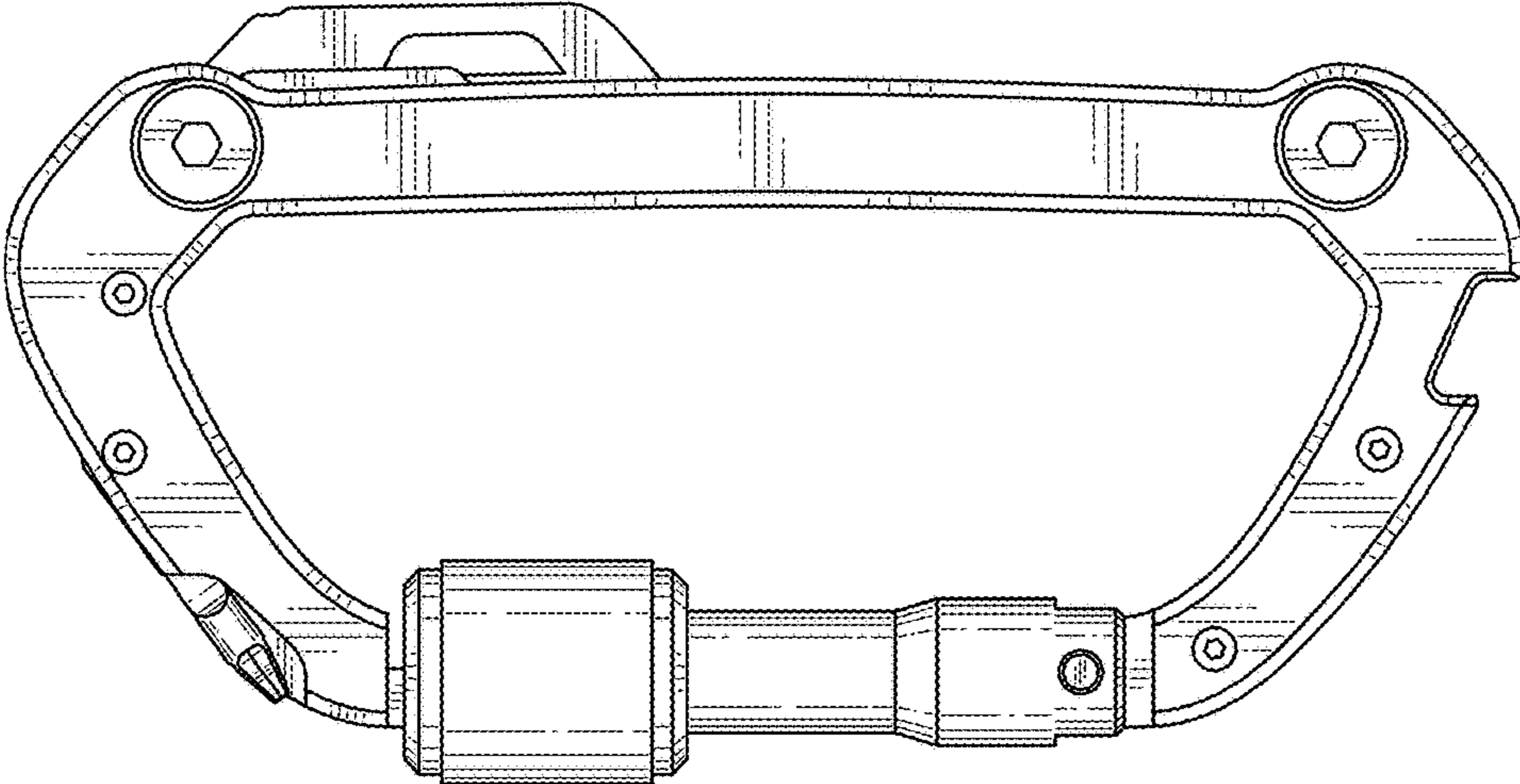


FIG. 5

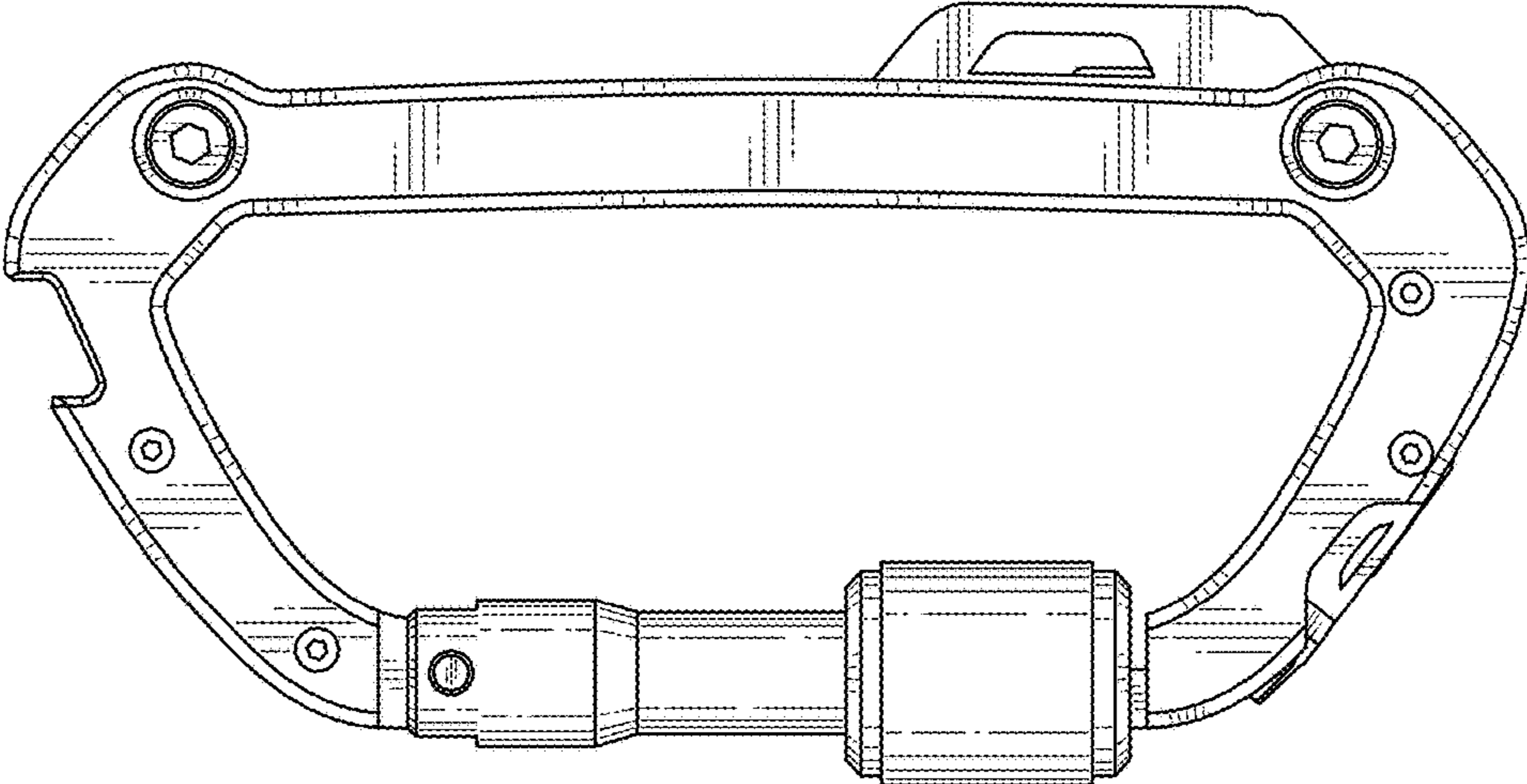


FIG. 6

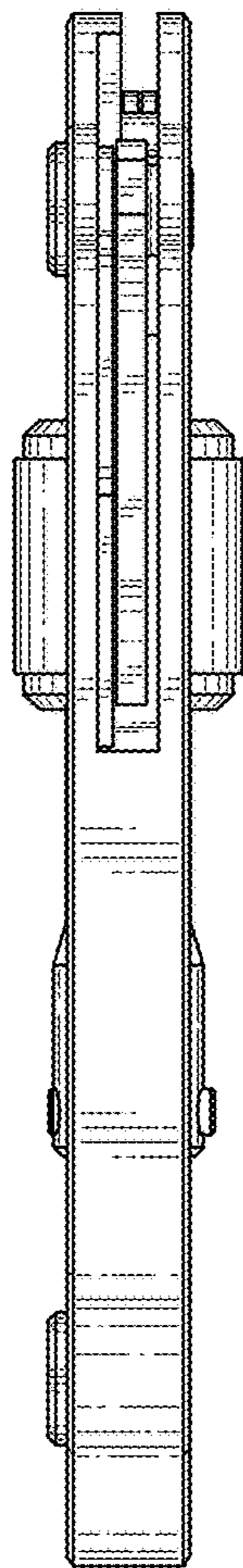


FIG. 7

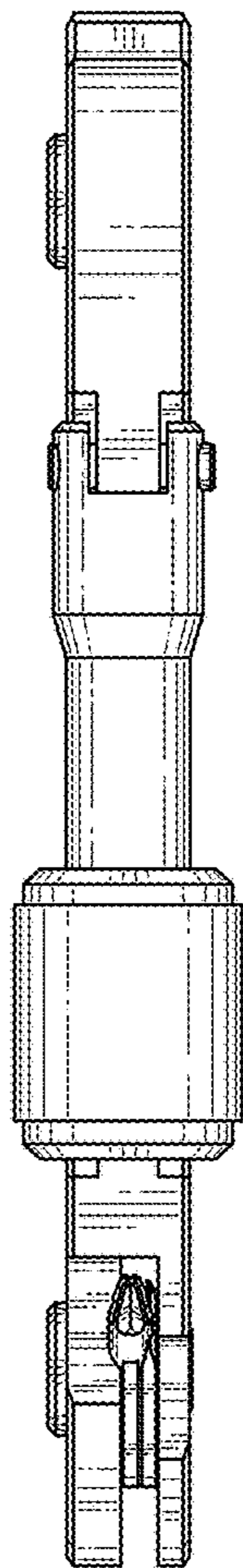


FIG. 8