



US00D865490S

(12) **United States Design Patent** (10) **Patent No.:** **US D865,490 S**  
**Randolph** (45) **Date of Patent:** **\*\* Nov. 5, 2019**

(54) **TURNBUCKLE LOCK**  
(71) Applicant: **Jody C. Randolph**, Fayette, AL (US)  
(72) Inventor: **Jody C. Randolph**, Fayette, AL (US)  
(\*\*) Term: **15 Years**  
(21) Appl. No.: **29/660,138**  
(22) Filed: **Aug. 17, 2018**  
(51) **LOC (12) Cl.** ..... **08-05**  
(52) **U.S. Cl.**  
USPC ..... **D8/356**; D8/349; D8/355; D8/382  
(58) **Field of Classification Search**  
USPC ..... D8/367, 371, 373, 354-356, 349, 382,  
D8/25; D6/323; 248/215, 301, 339,  
248/349.1; 160/349.1, 349.2; 24/265 H,  
24/265 R, 599.1, 599.8, 113 R, 573.5;  
294/82.18; 29/525.1, 45.3, 896.7;  
D3/24; 223/106; 403/27  
CPC ..... F16G 11/00  
See application file for complete search history.

8,353,639 B2 1/2013 Kelly et al.  
D713,301 S \* 9/2014 Haviland ..... D12/159  
9,155,238 B2 10/2015 Sauermann  
D752,961 S \* 4/2016 Gaibler ..... D8/382

\* cited by examiner

*Primary Examiner* — Randall H Gholson  
(74) *Attorney, Agent, or Firm* — Bush Intellectual  
Property Law; Kenneth M. Bush

(57) **CLAIM**

I claim the ornamental design for a turnbuckle lock, as shown and described.

**DESCRIPTION**

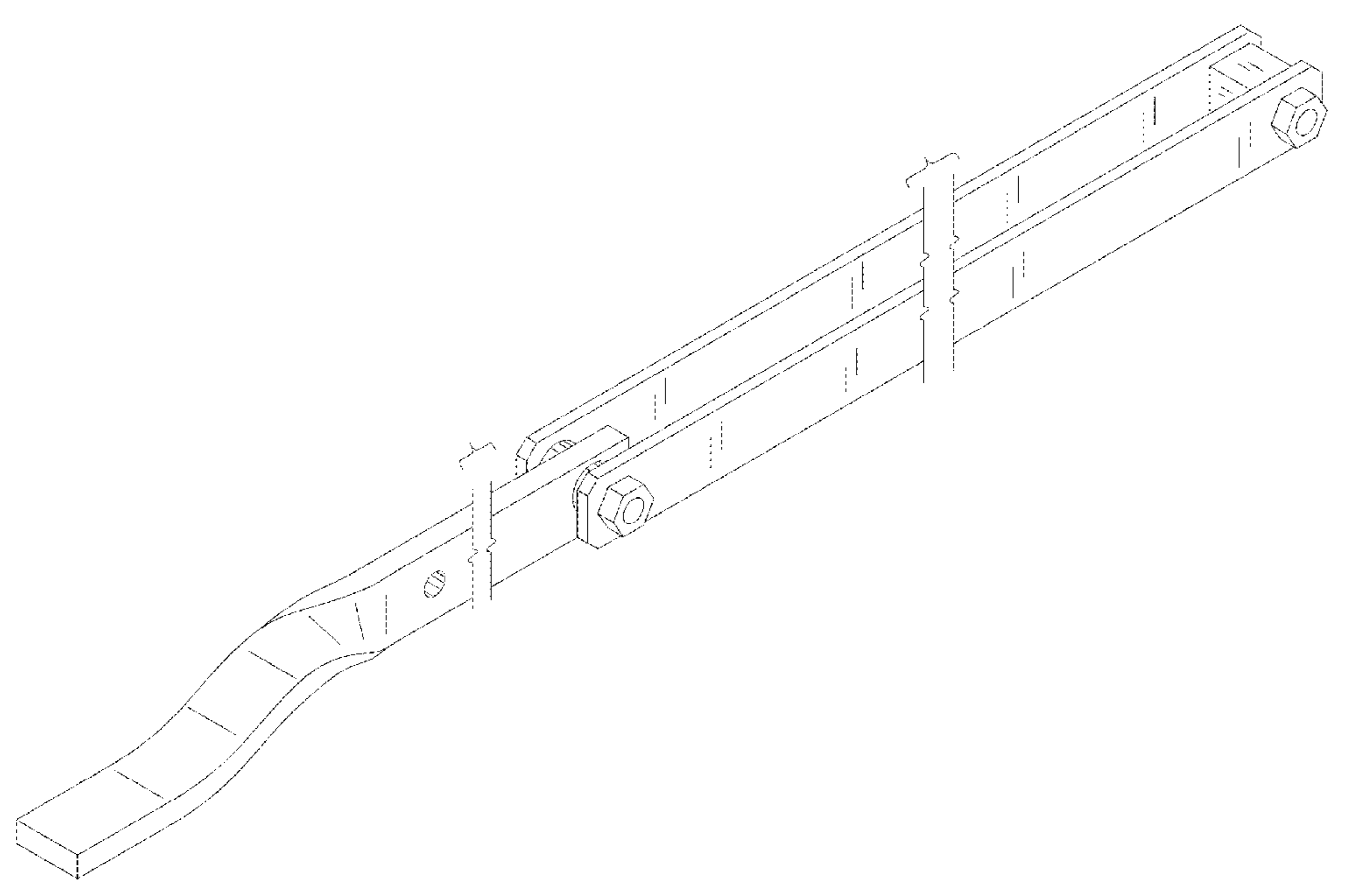
FIG. 1 is a top, front, right side perspective view of a turnbuckle lock showing my new design;  
FIG. 2 is a right side elevation view thereof;  
FIG. 3 is a left side elevation view thereof;  
FIG. 4 is a top plan view thereof;  
FIG. 5 is a bottom plan view thereof;  
FIG. 6 is a front elevation view thereof;  
FIG. 7 is a rear elevation view thereof;  
FIG. 8 shows the turnbuckle lock attached to a turnbuckle, wherein a pivotable arm is in a locked position; and,  
FIG. 9 shows the turnbuckle lock attached to a turnbuckle, wherein the pivotable arm is in an unlocked position.  
The broken away symbols in the drawings indicate that any portion of the article beyond what is shown forms no part of the claimed design. The broken lines shown in FIGS. 8 and 9 illustrating a turnbuckle are for the purpose of illustrating environment and form no part of the claimed design.

**1 Claim, 6 Drawing Sheets**

(56) **References Cited**

U.S. PATENT DOCUMENTS

1,321,113 A	11/1919	Longren
1,411,279 A	4/1922	Jaynes
1,467,319 A	9/1923	Hoffmann
2,321,001 A	6/1943	Billett
2,845,288 A	7/1958	Cierpik, Jr.
2,878,043 A	3/1959	Edman et al.
4,778,194 A	10/1988	Koch et al.
5,462,303 A	10/1995	Langen et al.
5,765,957 A	6/1998	Connell
6,609,575 B1	8/2003	Crabb
7,048,071 B1	5/2006	Huenink et al.



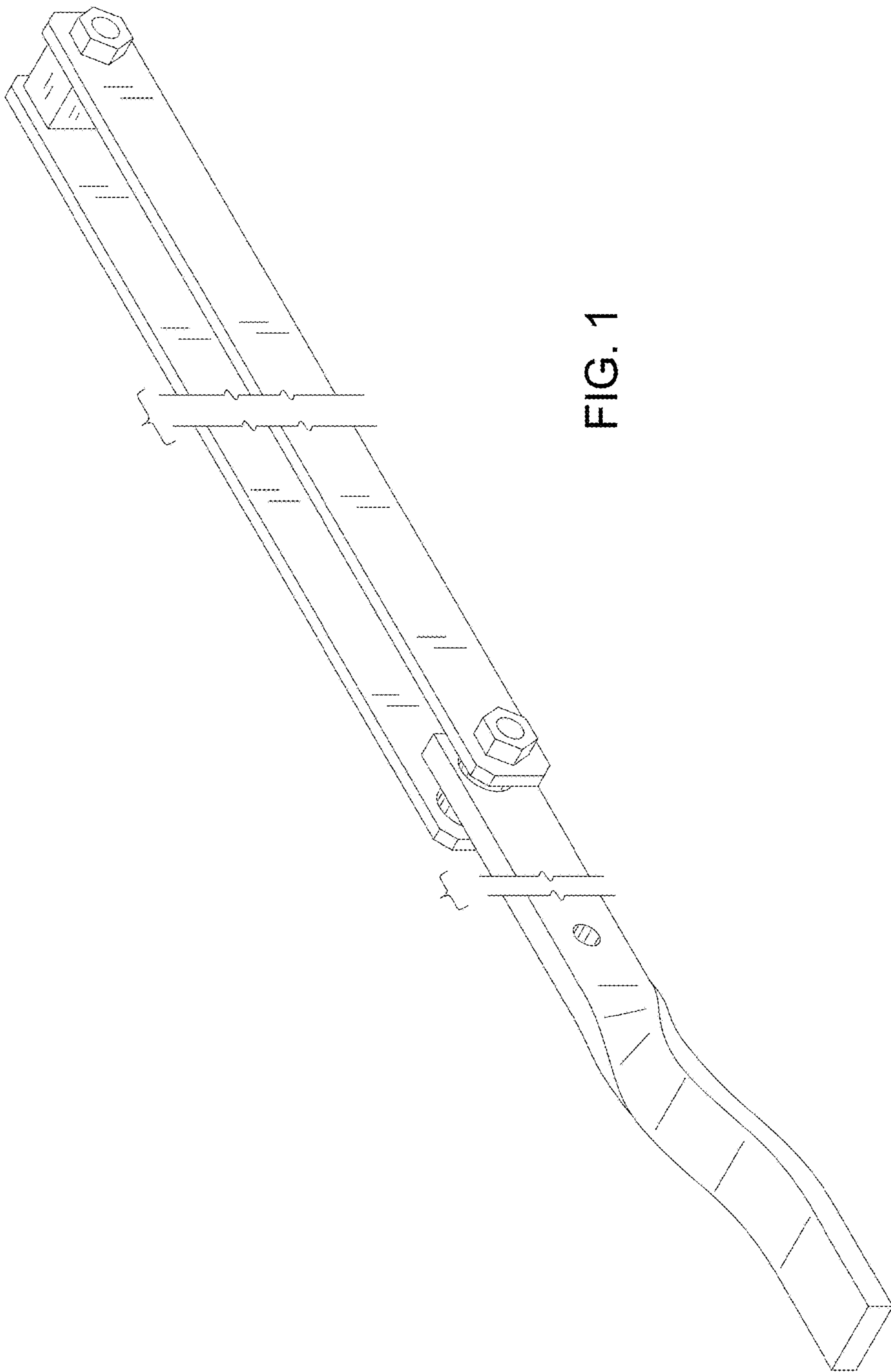


FIG. 1

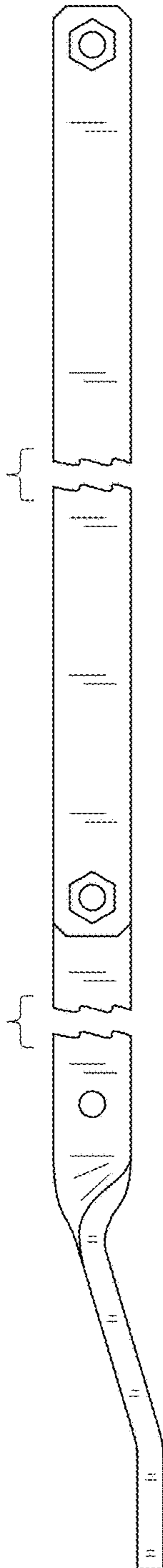


FIG. 2

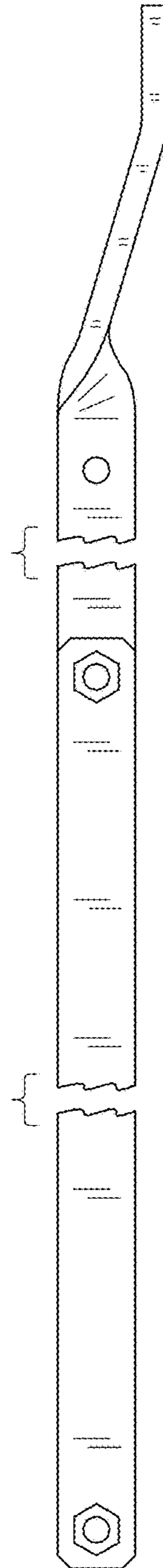


FIG. 3

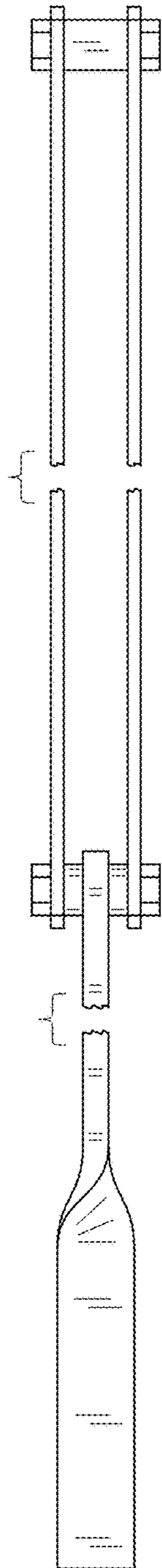


FIG. 4

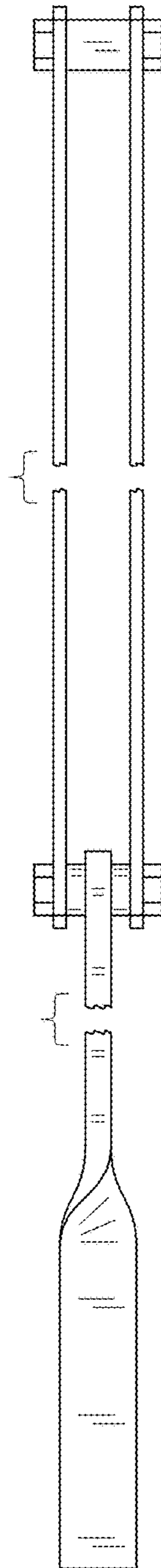


FIG. 5

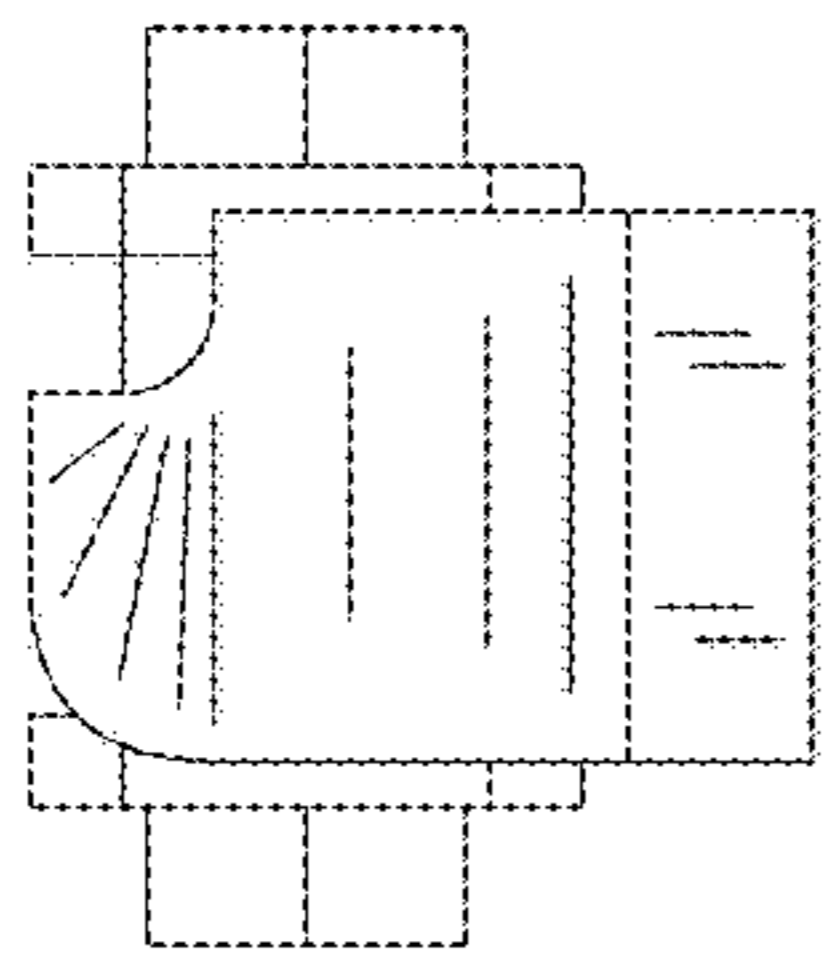


FIG. 6

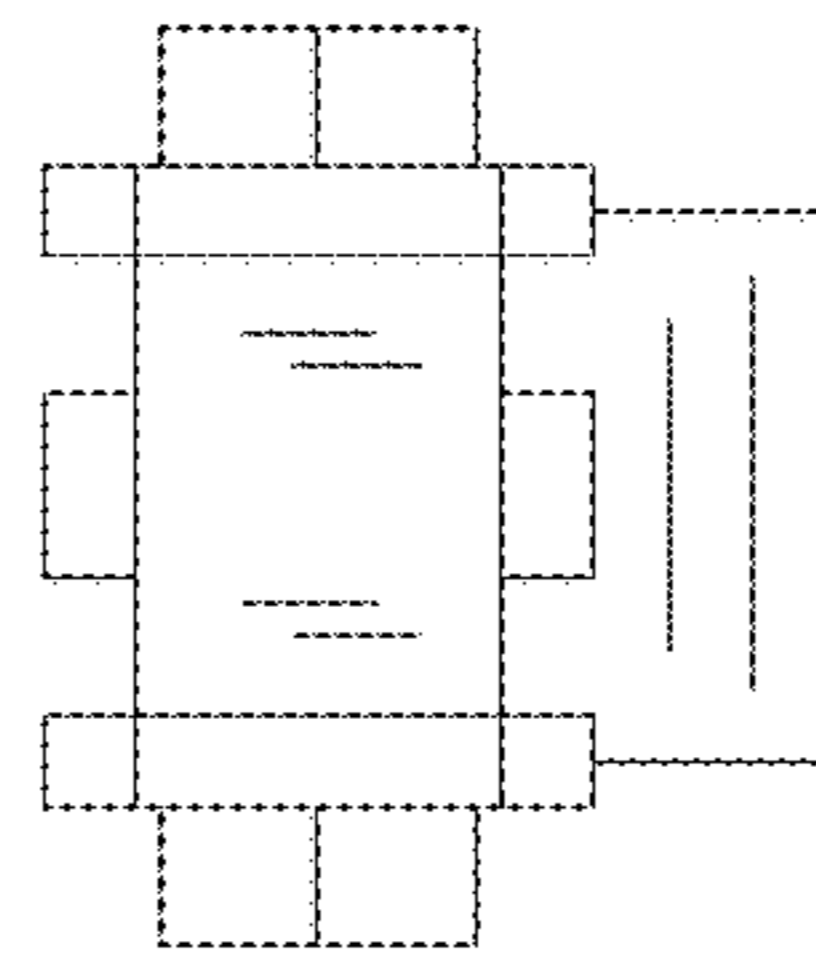


FIG. 7

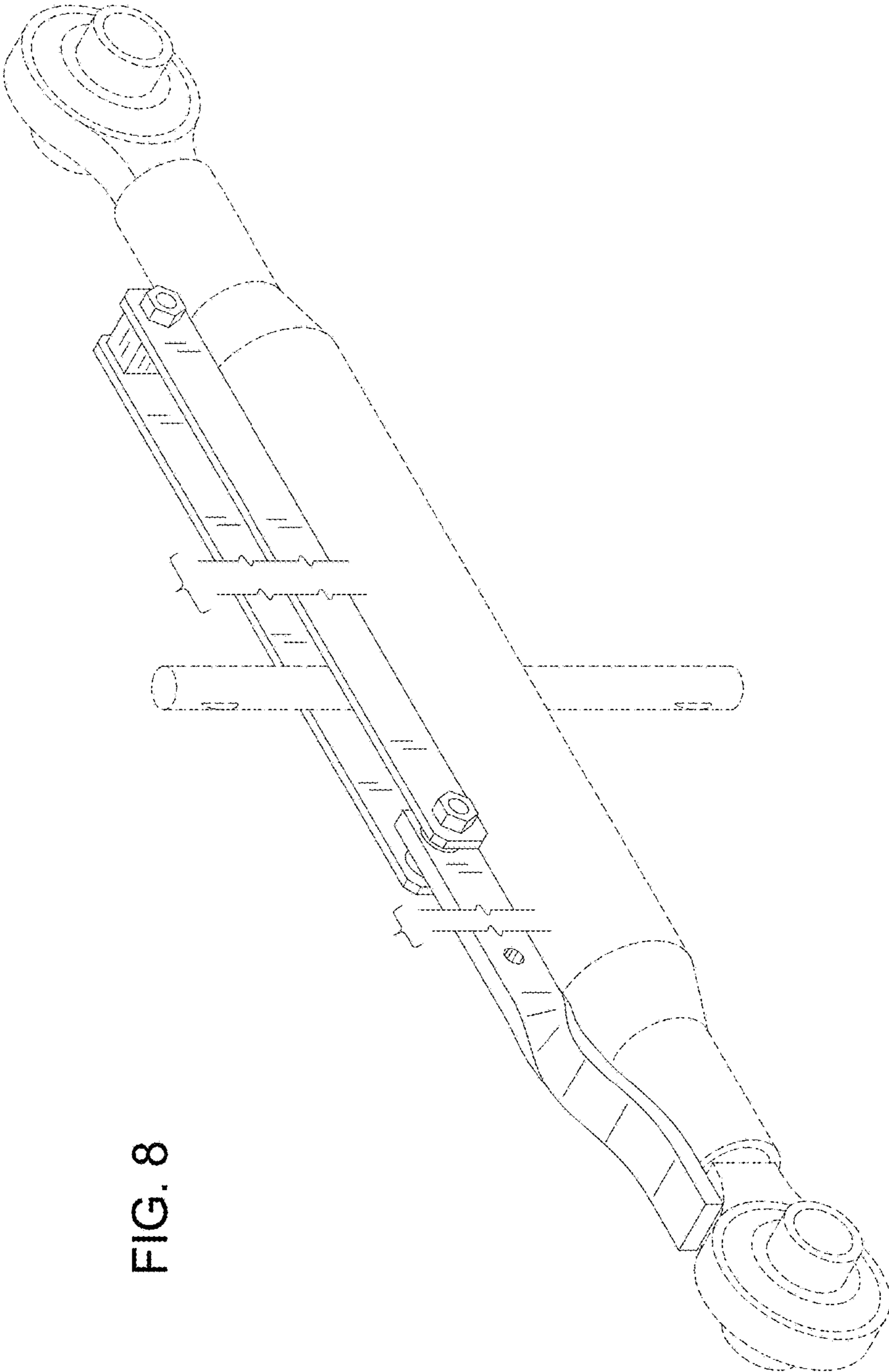


FIG. 8

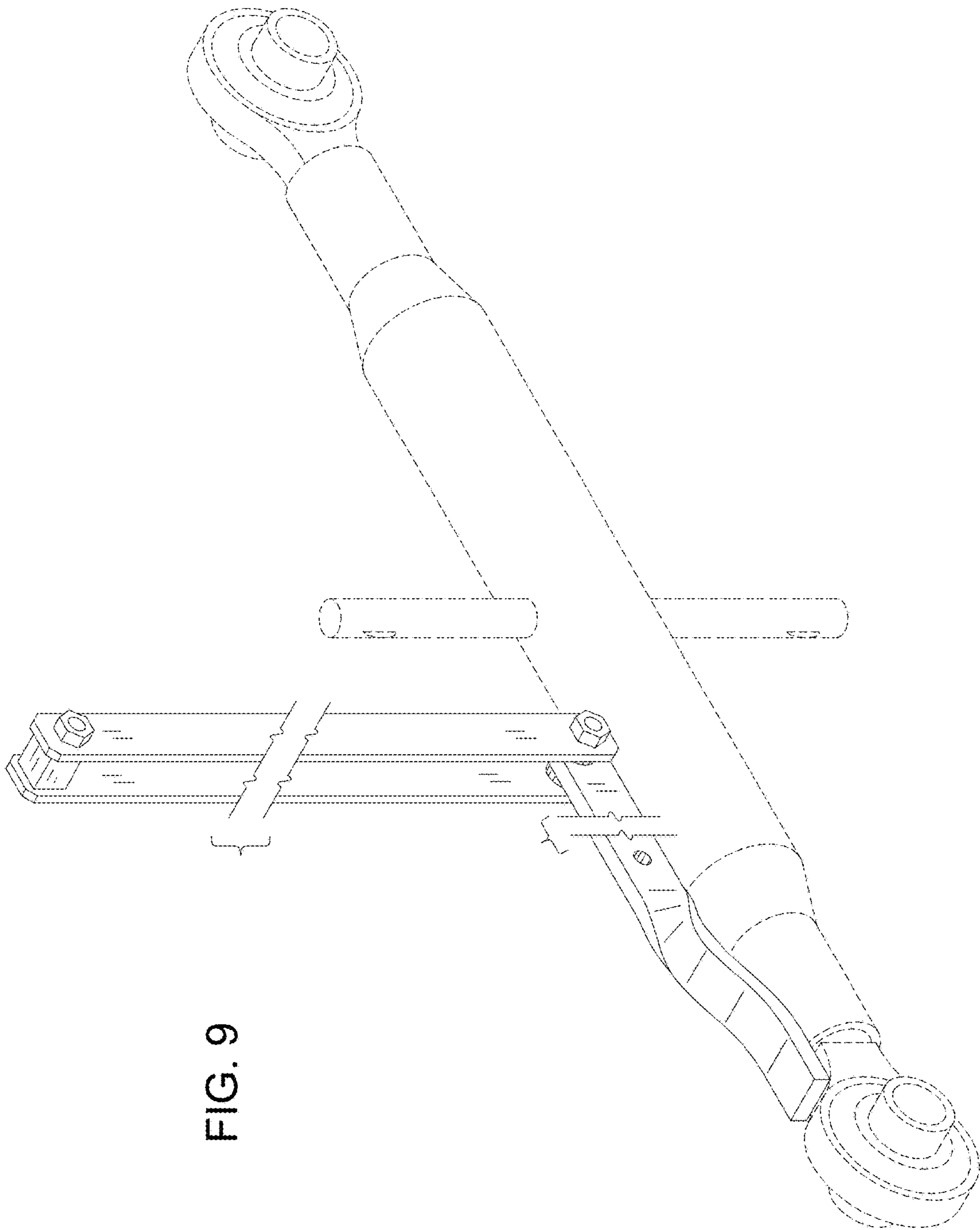


FIG. 9