



US00D865489S

(12) **United States Design Patent**
Hoofnagle

(10) **Patent No.:** **US D865,489 S**

(45) **Date of Patent:** **** Nov. 5, 2019**

(54) **COMBINED MAGNETIC HANGER AND TILT STAND FOR A PORTABLE TEST TOOL**

(71) Applicant: **Fluke Electronics Corporation**,
Everett, WA (US)

(72) Inventor: **Wayne S. Hoofnagle**, Kirkland, WA
(US)

(73) Assignee: **Fluke Electronics Corporation**,
Everett, WA (US)

(**) Term: **15 Years**

(21) Appl. No.: **29/600,761**

(22) Filed: **Apr. 14, 2017**

(51) **LOC (12) Cl.** **08-05**

(52) **U.S. Cl.**
USPC **D8/355**

(58) **Field of Classification Search**
USPC D08/355, 353, 356; D12/420, 423;
D14/238, 452; D25/119, 120, 121
CPC A47G 1/141; A47G 29/00; F16M 11/26;
G06F 3/1446
See application file for complete search history.

(56) **References Cited**

U.S. PATENT DOCUMENTS

D214,484 S * 6/1969 Berger D6/328
4,874,151 A * 10/1989 Fritz B67D 7/50
141/392
D433,133 S * 10/2000 Dyer D24/128
D599,196 S * 9/2009 Ruffin D8/356
D636,659 S * 4/2011 Rothbaum D8/356

(Continued)

FOREIGN PATENT DOCUMENTS

CN 103899896 A 7/2014

OTHER PUBLICATIONS

Fluke Networks MS2-MAG-KIT Holster With Magnetic Strap for MS2 FI-500 SFP and MSP, posted 2016, [retrieved Apr. 3, 2018]. Retrieved from Internet, <URL: https://www.tequipment.net/Fluke-Networks/MS2-MAG-KIT/Cases/ >.*

(Continued)

Primary Examiner — Barbara Fox

Assistant Examiner — Kristin E Reed

(74) *Attorney, Agent, or Firm* — Seed Intellectual Property Law Group LLP

(57) **CLAIM**

The ornamental design for a combined magnetic hanger and tilt stand for a portable test tool, as shown and described.

DESCRIPTION

FIG. 1 is a top plan view of a combined magnetic hanger and tilt stand for a portable test tool showing my new design. FIG. 2 is a bottom plan view thereof.

FIG. 3 is a left side elevation view thereof.

FIG. 4 is a right side elevation view thereof.

FIG. 5 is an inverted front elevation view thereof.

FIG. 6 is a rear elevation view thereof.

FIG. 7 is a bottom left perspective view thereof.

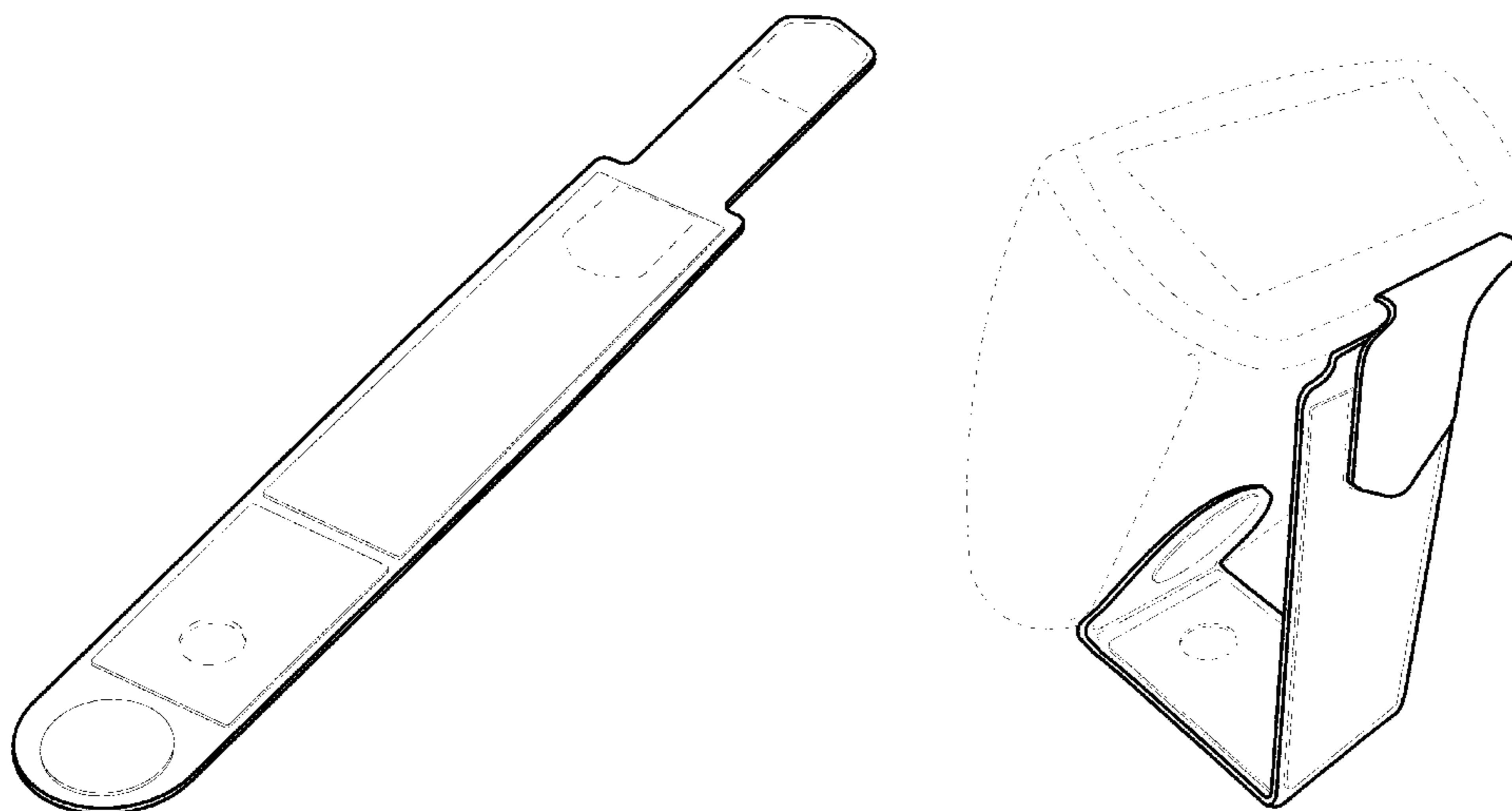
FIG. 8 is a top plan view of a combined magnetic hanger and tilt stand for a portable test tool positioned for hanging a portable test tool.

FIG. 9 is a right side elevation view thereof, positioned as shown in FIG. 8; and,

FIG. 10 is a perspective view of the combined magnetic hanger and tilt stand for a portable test tool positioned to provide a tilt stand for a portable test tool.

The broken line showing of a device in FIGS. 8-10 illustrates environment of the claim. The remainder of the broken lines depict portions of the combined magnetic hanger and tilt stand for a portable test tool. The broken lines in the figures form no part of the claimed design.

1 Claim, 6 Drawing Sheets



(56)

References Cited

U.S. PATENT DOCUMENTS

D685,254 S *	7/2013	Rothbaum	D8/356
9,038,979 B2 *	5/2015	Lu	A45C 7/0036 206/320
D763,493 S *	8/2016	Fields	D26/113
D765,975 S *	9/2016	Hoofnagle	D3/215
D766,430 S *	9/2016	Cartmel	D24/128
D808,772 S *	1/2018	Rothbaum	D8/356
D808,773 S *	1/2018	Rothbaum	D8/356

OTHER PUBLICATIONS

iPhone 6S Case, iPhone 6 Case, Zvedeng Kickstand Foldable Stand, posted May 20, 2016, [retrieved Apr. 24, 2018]. Retrieved from Internet, <URL: <https://www.amazon.com/Zvedeng-Kickstand-Foldable-Defender-Shockproof/dp/B01F72G23E> >.*

Magnetische Intelligente Strap Ständer, Verwendet für fluke multimeter 101 106 107, posted Jan. 4, 2018, [retrieved Apr. 24, 2018]. Retrieved from Internet, <URL: <https://de.aliexpress.com/item/Magnetic-Smart-Strap-Stand-for-Fluke-101/32240464785.html> >.*
“TPAK ToolPak Magnetic Meter Hanger”, Fluke Accessories Catalog 2017 edition, 2 pages.

“Fluke Smart Strap Stand”, <http://www.instruin.com/index.php/fluke-products/>, downloaded on Apr. 14, 2017, publicly sold as early as 2016, 1 page.

“Fluke Smart Strap Stand”, <http://www.obdexpress.co.uk/wholesale/fluke-101-kit-palm-sized-digital-multimeter-meter-smart-strap-51994.html>, downloaded on Apr. 14, 2017, publicly sold as early as 2016, 1 page.

* cited by examiner

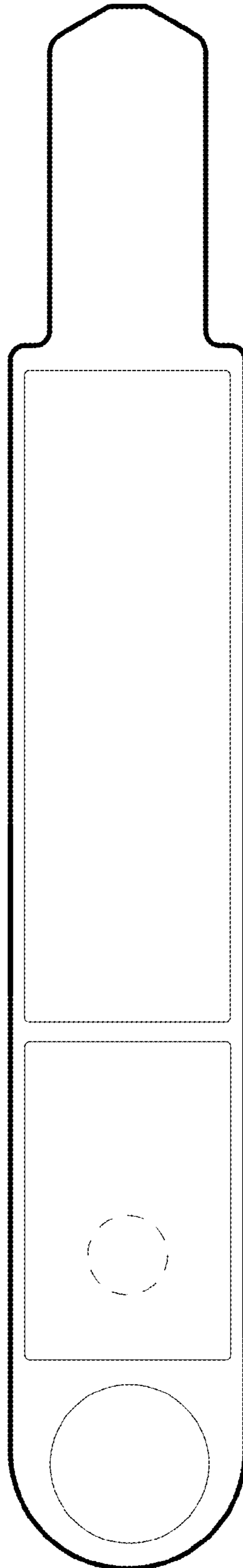


FIG. 1

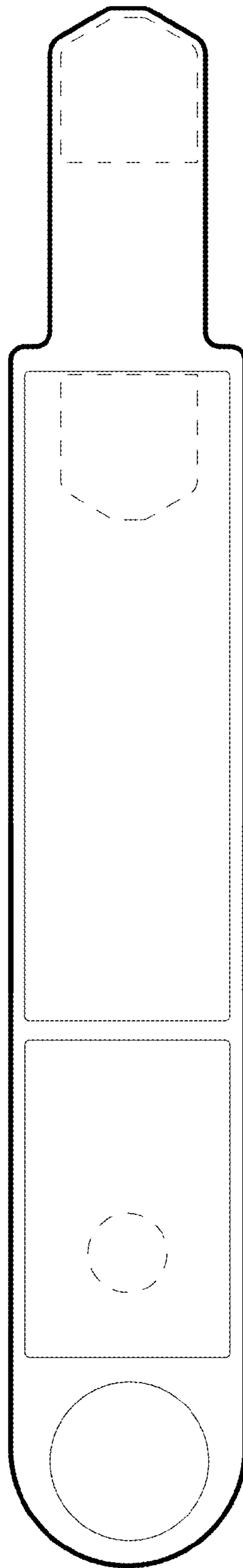


FIG. 2



FIG. 3



FIG. 4

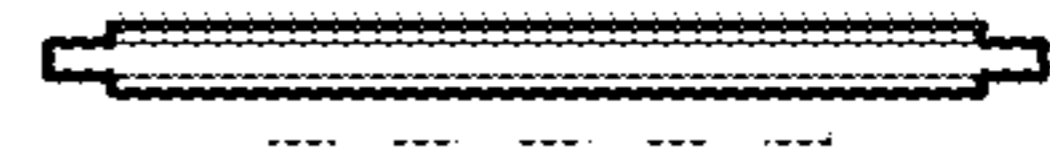


FIG. 6

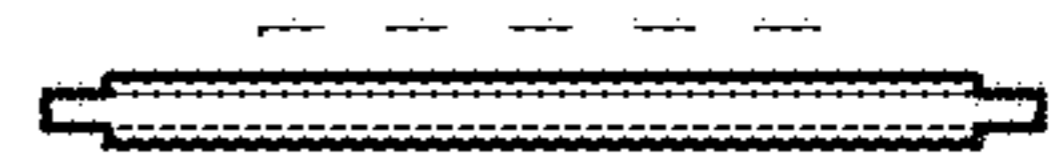


FIG. 5

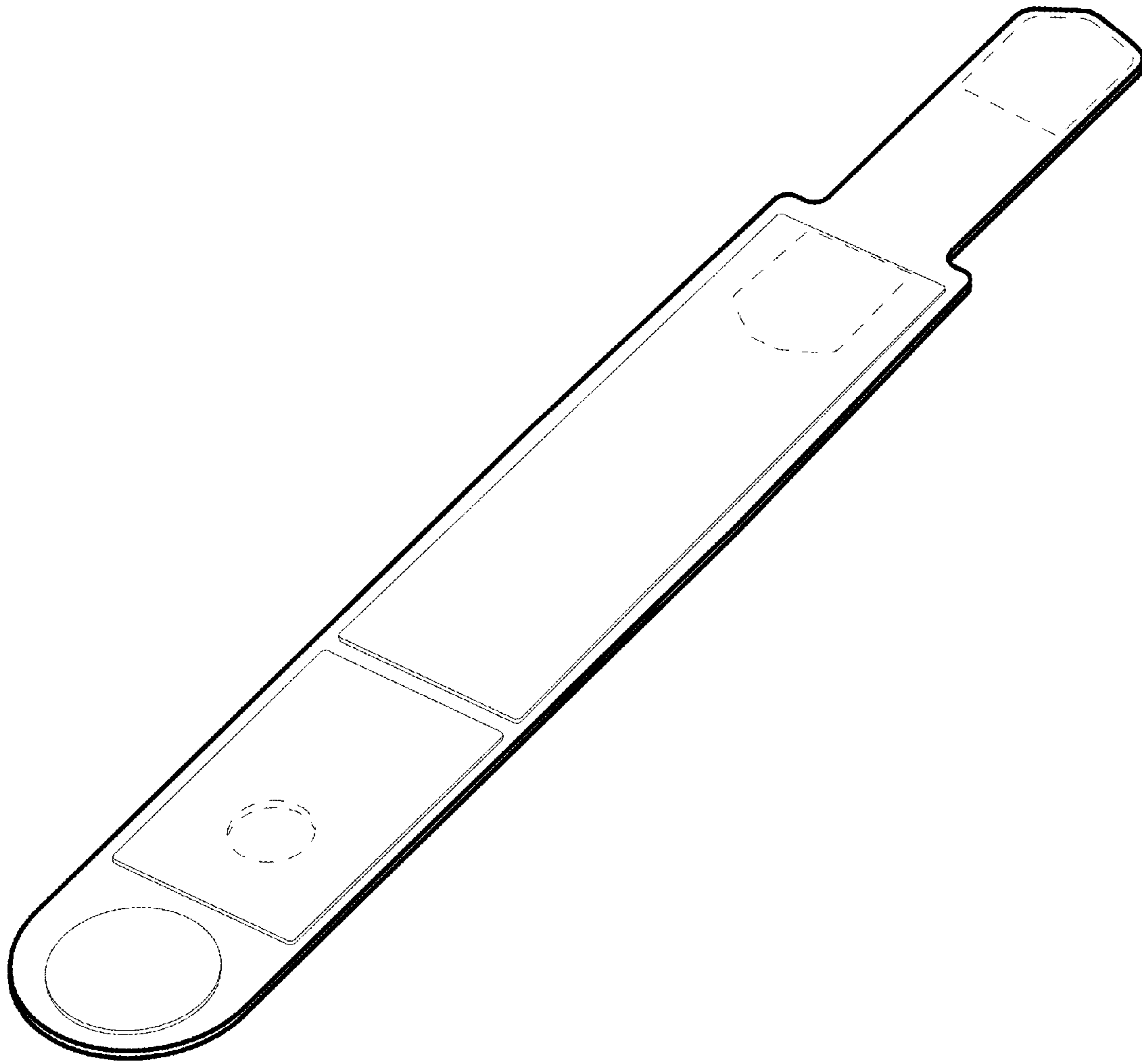


FIG. 7

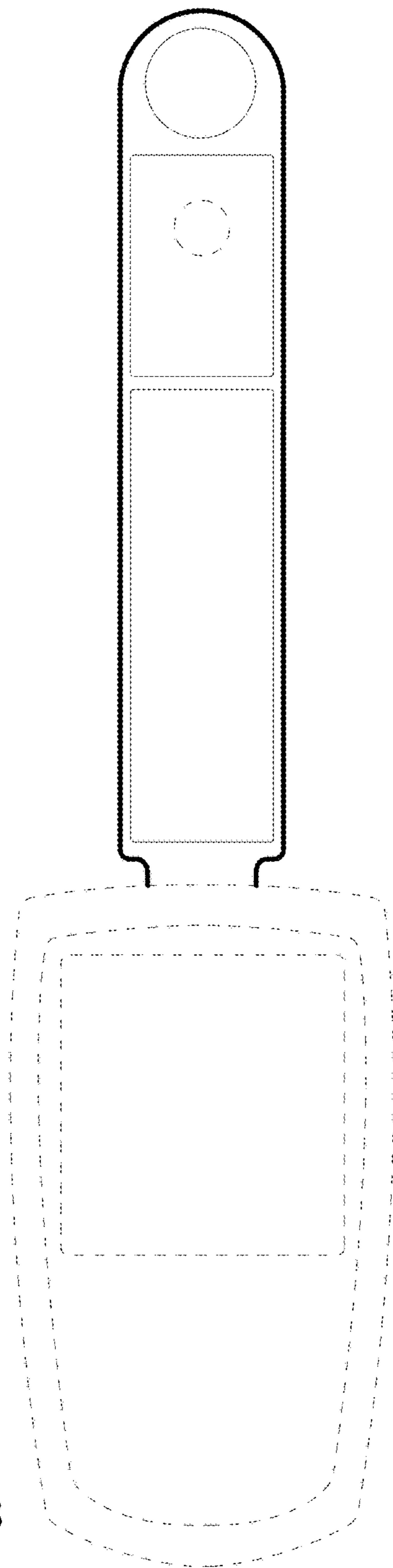


FIG. 8

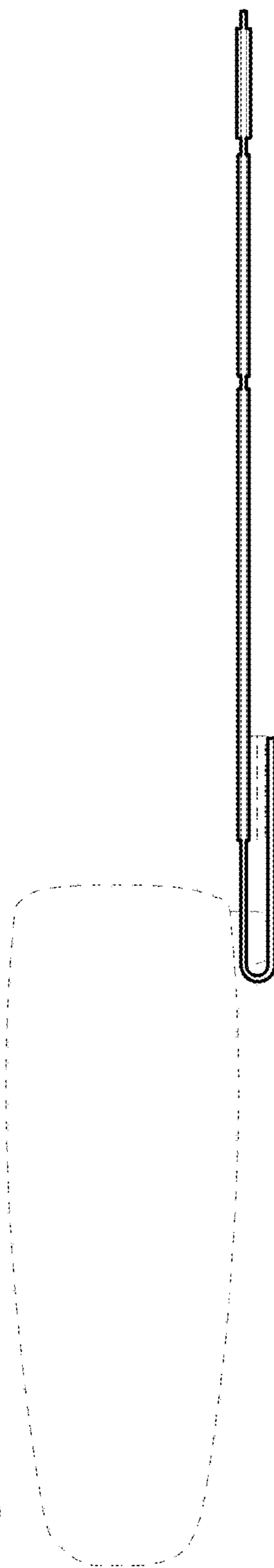


FIG. 9

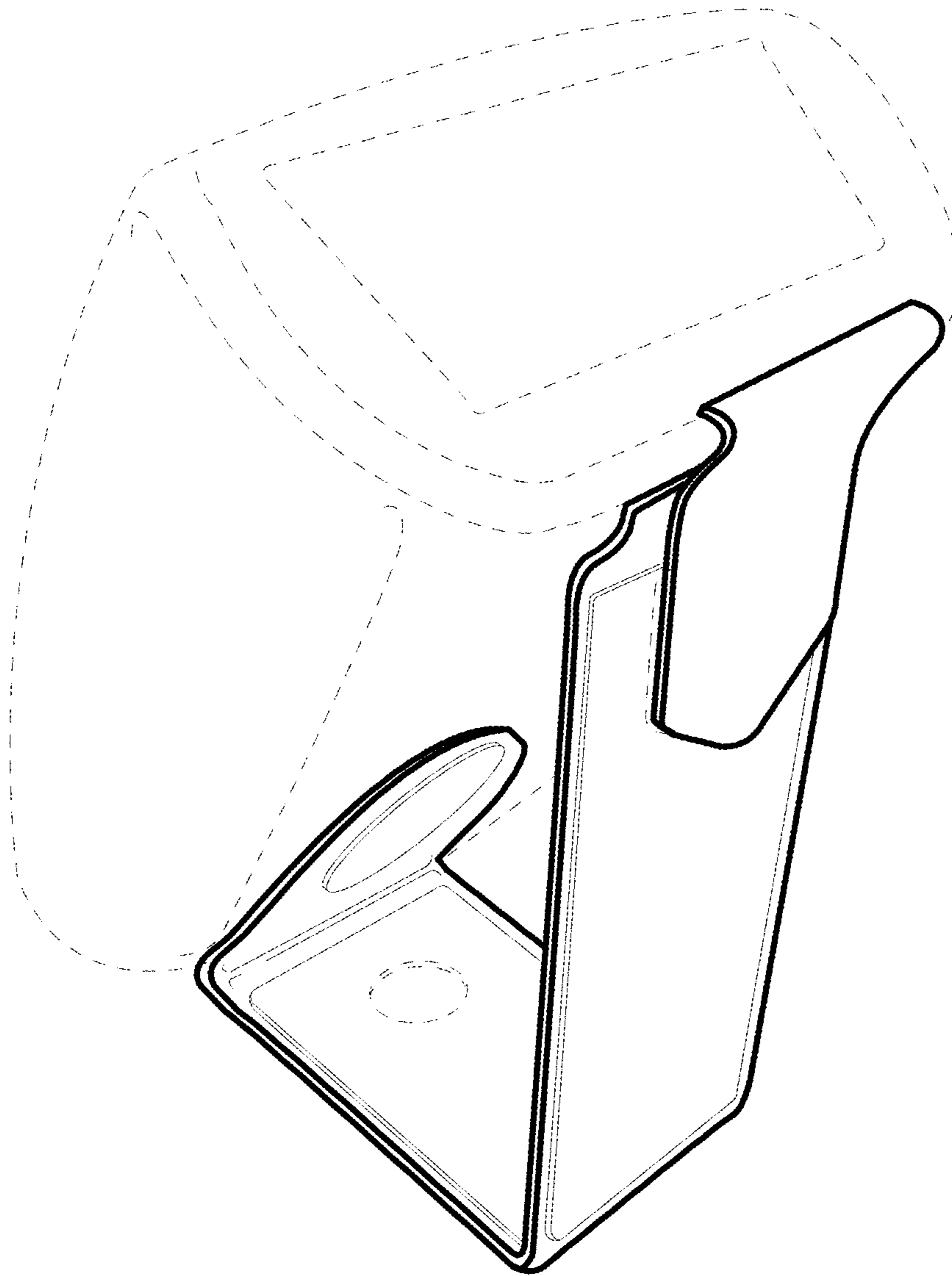


FIG. 10