

US00D865486S

(12) **United States Design Patent** (10) **Patent No.:** **US D865,486 S**
Lee (45) **Date of Patent:** **** Nov. 5, 2019**

(54) **KNOB OF LOCK**
(71) Applicant: **TAIWAN FU HSING INDUSTRIAL CO., LTD.**, Kaohsiung (TW)
(72) Inventor: **Wen-Chieh Lee**, Kaohsiung (TW)
(73) Assignee: **TAIWAN FU HSING INDUSTRIAL CO., LTD.**, Kaohsiung (TW)
(**) Term: **15 Years**

D805,885 S * 12/2017 Karmarkar D8/382
10,107,006 B2 * 10/2018 Ruffino E05B 1/0007
D832,734 S * 11/2018 Warren D11/26
D833,259 S * 11/2018 Tseng D8/352
2003/0010075 A1 * 1/2003 Rodriguez E05B 17/10
70/432
2013/0031940 A1 * 2/2013 Romero E05B 37/00
70/278.1
2014/0144193 A1 * 5/2014 Lahiji E05B 15/02
70/417
2014/0250956 A1 * 9/2014 Chong G07C 9/00174
70/278.1

(21) Appl. No.: **29/619,733**

(22) Filed: **Oct. 2, 2017**

(30) **Foreign Application Priority Data**

Sep. 5, 2017 (TW) 106305094

(51) **LOC (12) Cl.** **08-07**

(52) **U.S. Cl.**
USPC **D8/343**

(58) **Field of Classification Search**

USPC D8/352, 499, 330, 331, 333, 334, 341,
D8/342, 343, 349; D9/435, 436, 442,
D9/443, 444, 445, 499, 528, 529, 539,
D9/686, 687, 688; 70/58, 107, 141, 210,
70/217, 218, 221-224, 284-286, 314,
70/DIG. 44, 277-283, 1, 472; 206/221,
206/222; 215/216; 220/253, 713;
222/525

CPC ... E05B 3/00; E05B 1/00; E05B 37/00; E05B
47/00; E05B 47/06; E05B 49/00; E05B
15/02; E05B 13/103; E05B 9/00; E05B
9/002; E05B 9/02; E05C 9/004; E05C
9/002; B65D 47/12

See application file for complete search history.

(56) **References Cited**

U.S. PATENT DOCUMENTS

D542,115 S * 5/2007 Hanna D8/310
D797,542 S * 9/2017 Block D8/310

(Continued)

FOREIGN PATENT DOCUMENTS

CN 303767322 S 8/2016
CN 303813480 S 8/2016
CN 303984960 S 12/2016

Primary Examiner — Ian Simmons

Assistant Examiner — Yolanda Robinson

(74) *Attorney, Agent, or Firm* — Winston Hsu

(57) **CLAIM**

The ornamental design for a knob of lock, as shown and described.

DESCRIPTION

FIG. 1 is a first perspective view of a knob of lock showing my new design;

FIG. 2 is a second perspective view of a knob of lock showing my new design;

FIG. 3 is a front view thereof;

FIG. 4 is a rear view thereof;

FIG. 5 is a left side view thereof, the right side view being mirror symmetrical; and,

FIG. 6 is a top view thereof, the bottom side view being mirror symmetrical.

The broken lines depict portions of the knob of lock that form no part of the claimed design.

1 Claim, 6 Drawing Sheets



(56)

References Cited

U.S. PATENT DOCUMENTS

2014/0260449 A1* 9/2014 Uyeda E05B 47/00
70/266
2014/0353980 A1* 12/2014 Beck E05B 41/00
292/145
2015/0218850 A1* 8/2015 Uyeda E05B 47/00
292/138
2016/0053512 A1* 2/2016 Lahiji E05B 15/02
70/417
2016/0115713 A1* 4/2016 Lin E05B 47/00
70/266
2018/0283047 A1* 10/2018 Huang E05B 1/0015

* cited by examiner

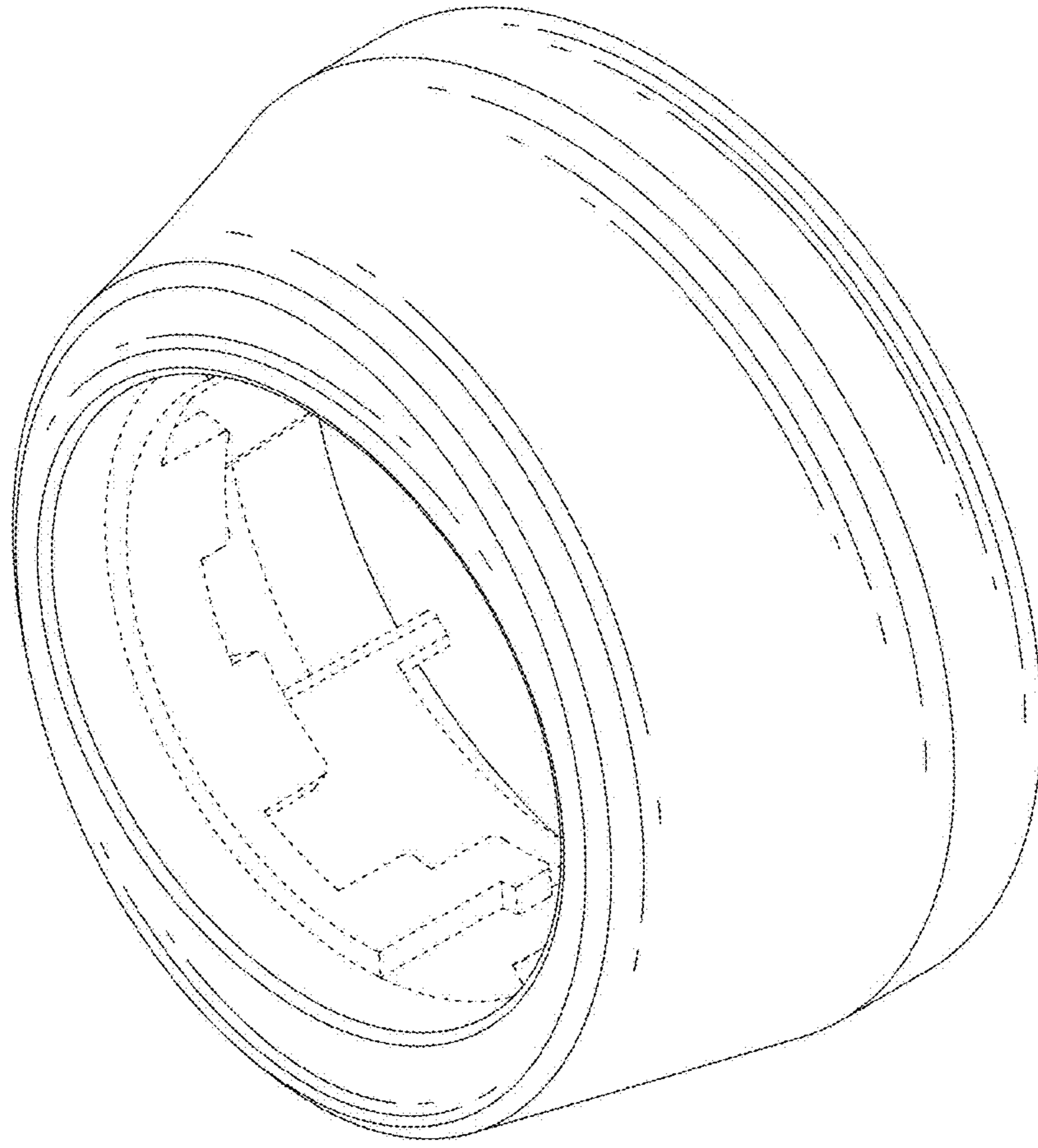


FIG. 1

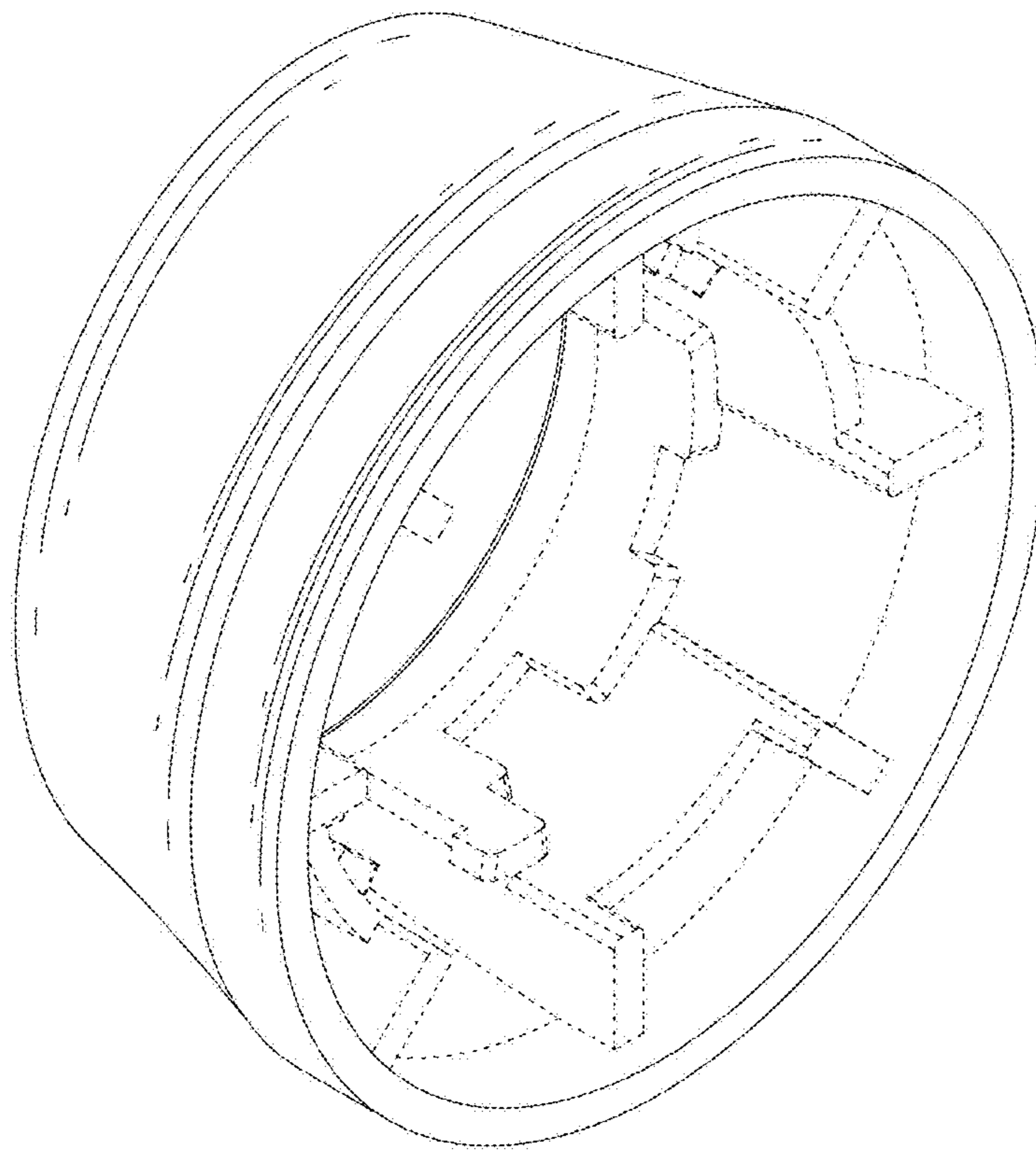


FIG. 2

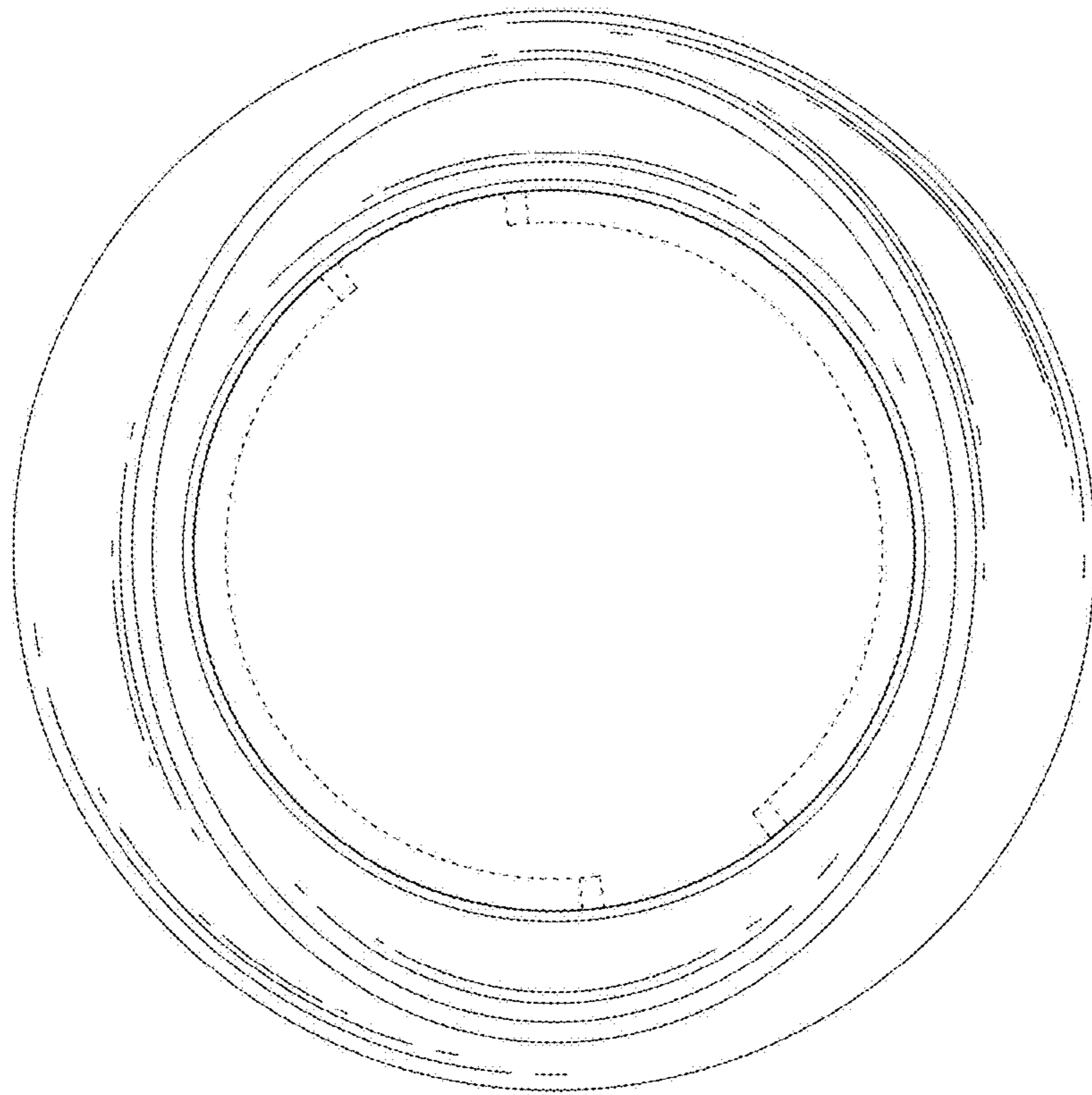


FIG. 3

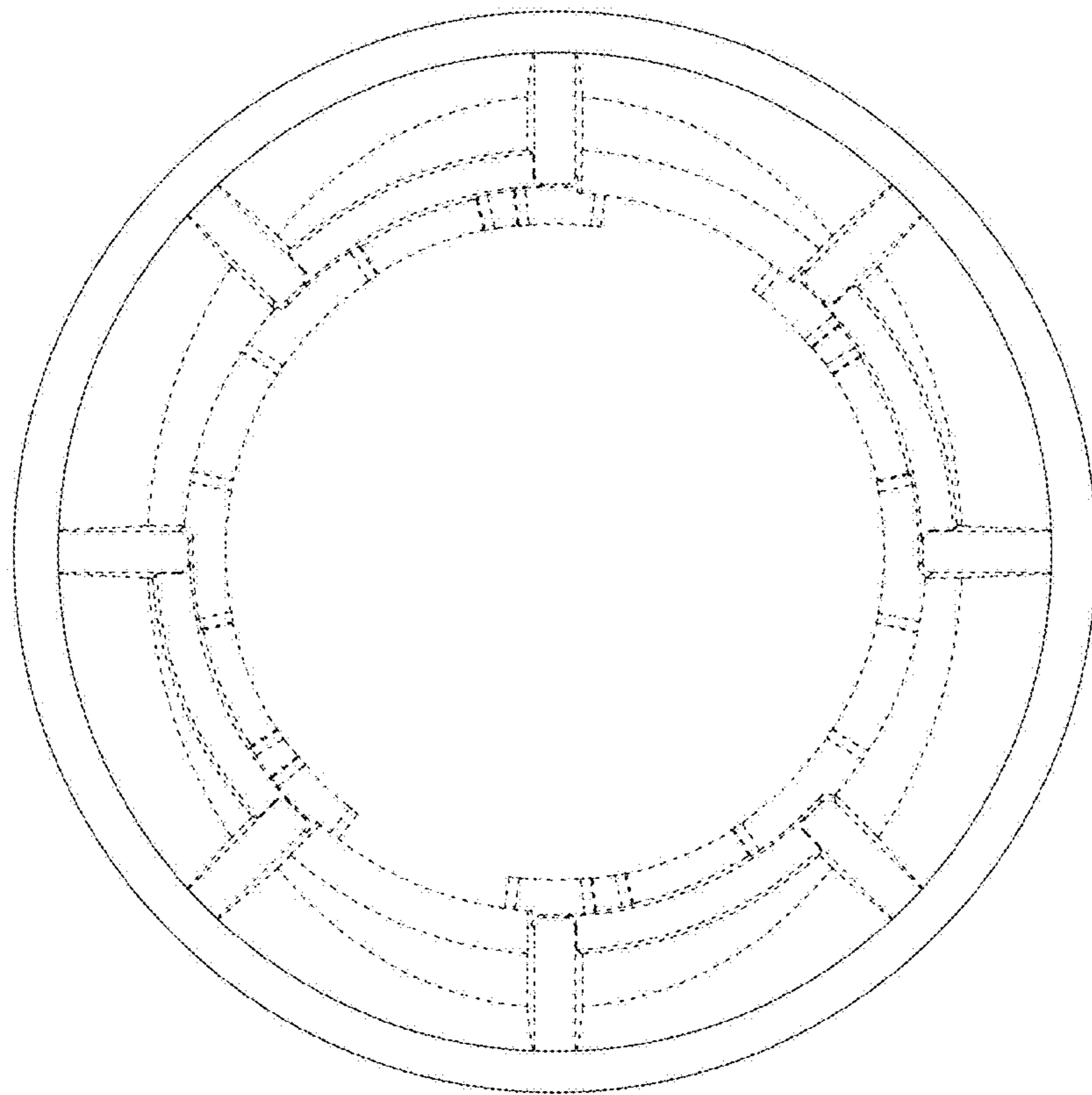


FIG. 4

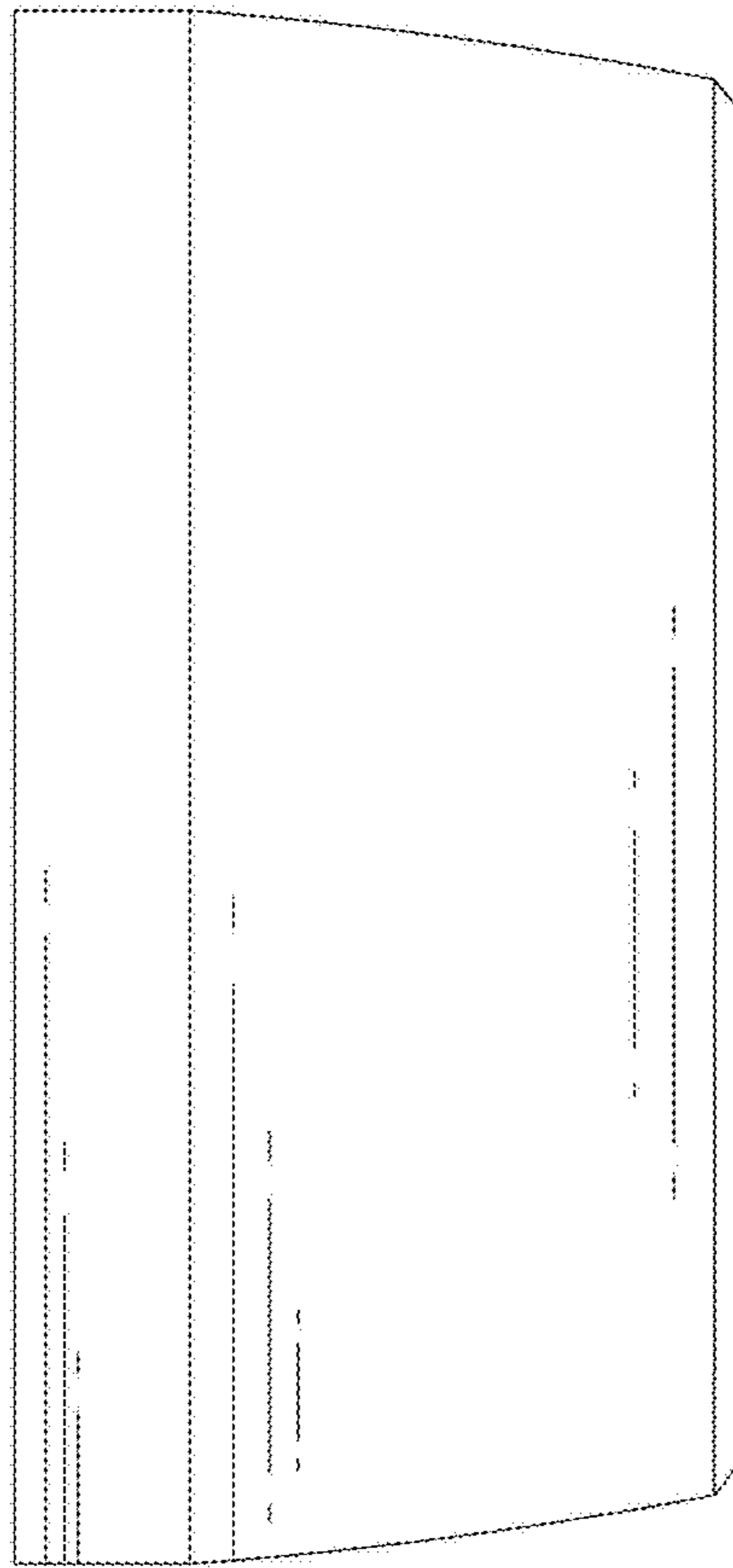


FIG. 5

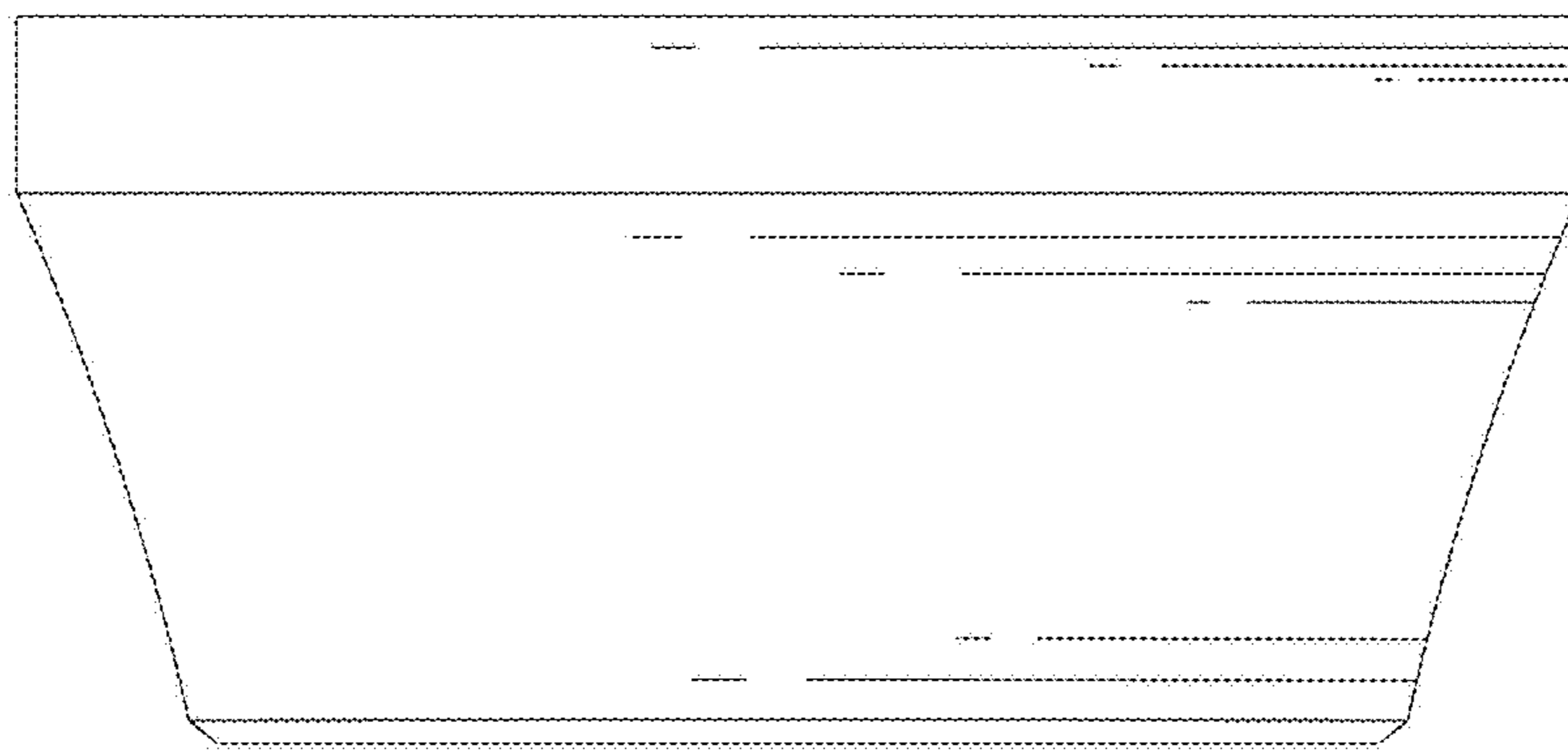


FIG. 6