



US00D865485S

(12) **United States Design Patent** (10) **Patent No.:** **US D865,485 S**
Ayton (45) **Date of Patent:** **** Nov. 5, 2019**

(54) **LOCK STOP** 7,204,059 B2 * 4/2007 Schiffmann E04G 21/30
 49/460
 (71) Applicant: **Andrew Ayton**, Fircrest, WA (US) D643,709 S * 8/2011 Olsson D8/403
 D715,633 S * 10/2014 Baker D8/403
 (72) Inventor: **Andrew Ayton**, Fircrest, WA (US) D733,520 S * 7/2015 Barna D8/330
 D771,485 S * 11/2016 Bartleet D8/403
 (**) Term: **15 Years** D804,282 S * 12/2017 Schweiss D8/339
 D820,064 S * 6/2018 Thompson D8/331

(21) Appl. No.: **29/556,394**

(22) Filed: **Feb. 29, 2016**

(51) **LOC (12) Cl.** **08-09**

(52) **U.S. Cl.**
USPC **D8/338**; D8/402; D8/403

(58) **Field of Classification Search**
USPC D8/349, 354, 355, 373, 380, 382–383,
D8/394, 396, 367, 400, 402, 403, 499,
D8/330–348

CPC E04G 21/30; E06B 1/34
See application file for complete search history.

(56) **References Cited**

U.S. PATENT DOCUMENTS

1,383,582 A * 7/1921 Stubbs E05F 7/04
 16/85
 D277,645 S * 2/1985 McGarry D8/402
 D498,407 S * 11/2004 Layton D8/331
 6,829,863 B2 * 12/2004 Lovas E06B 1/34
 49/462

* cited by examiner

Primary Examiner — Keli L Hill

Assistant Examiner — Harold E Blackwell, II

(74) *Attorney, Agent, or Firm* — QuickPatents, LLC;
Kevin Prince

(57) **CLAIM**

I claim the ornamental design for a lock stop, as shown and described.

DESCRIPTION

FIG. 1 is a bottom perspective view of a lock stop, showing the claimed design;

FIG. 2 is a front elevational view of FIG. 1;

FIG. 3 is a rear elevational view of FIG. 1;

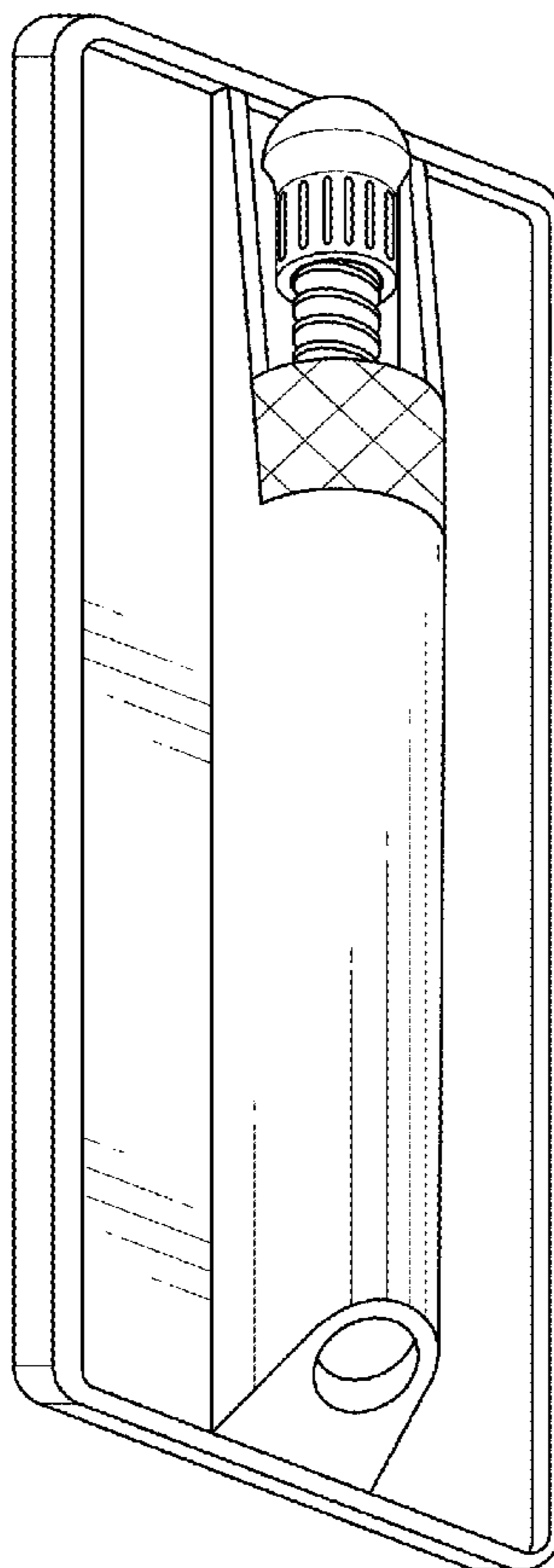
FIG. 4 is a left-side elevational view of FIG. 1;

FIG. 5 is a right-side elevational view of FIG. 1;

FIG. 6 is a top plan view of FIG. 1; and,

FIG. 7 is a bottom plan view of FIG. 1.

1 Claim, 3 Drawing Sheets



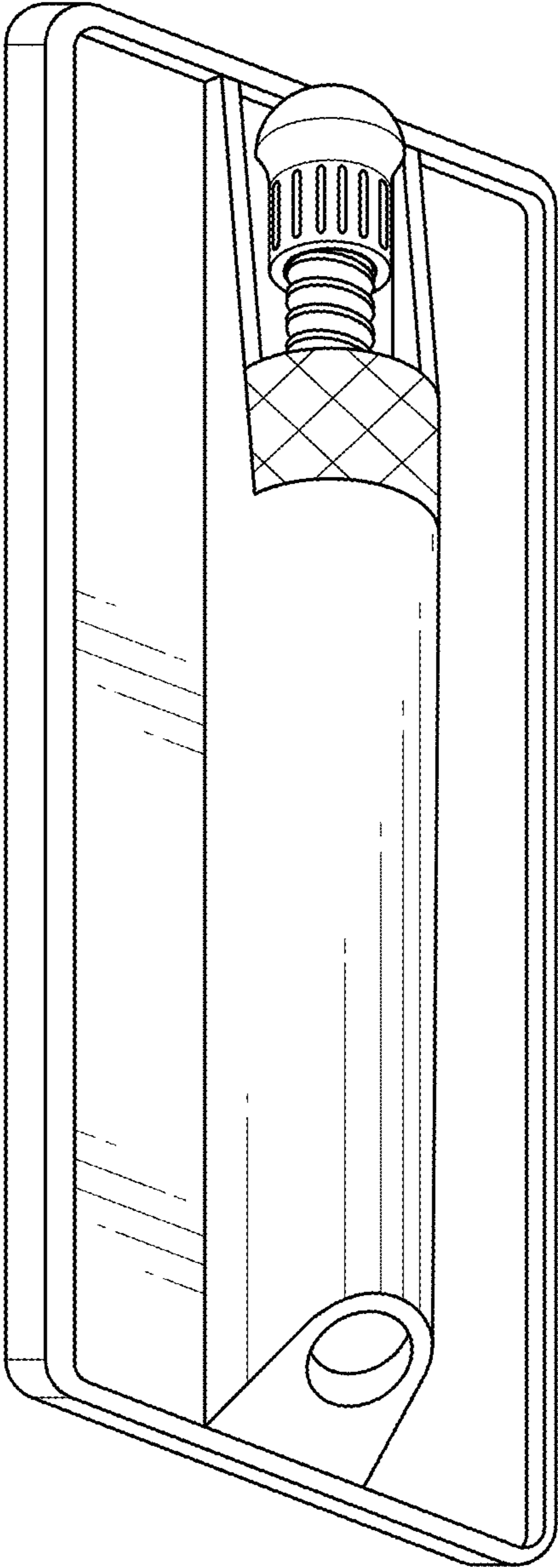


FIG. 1

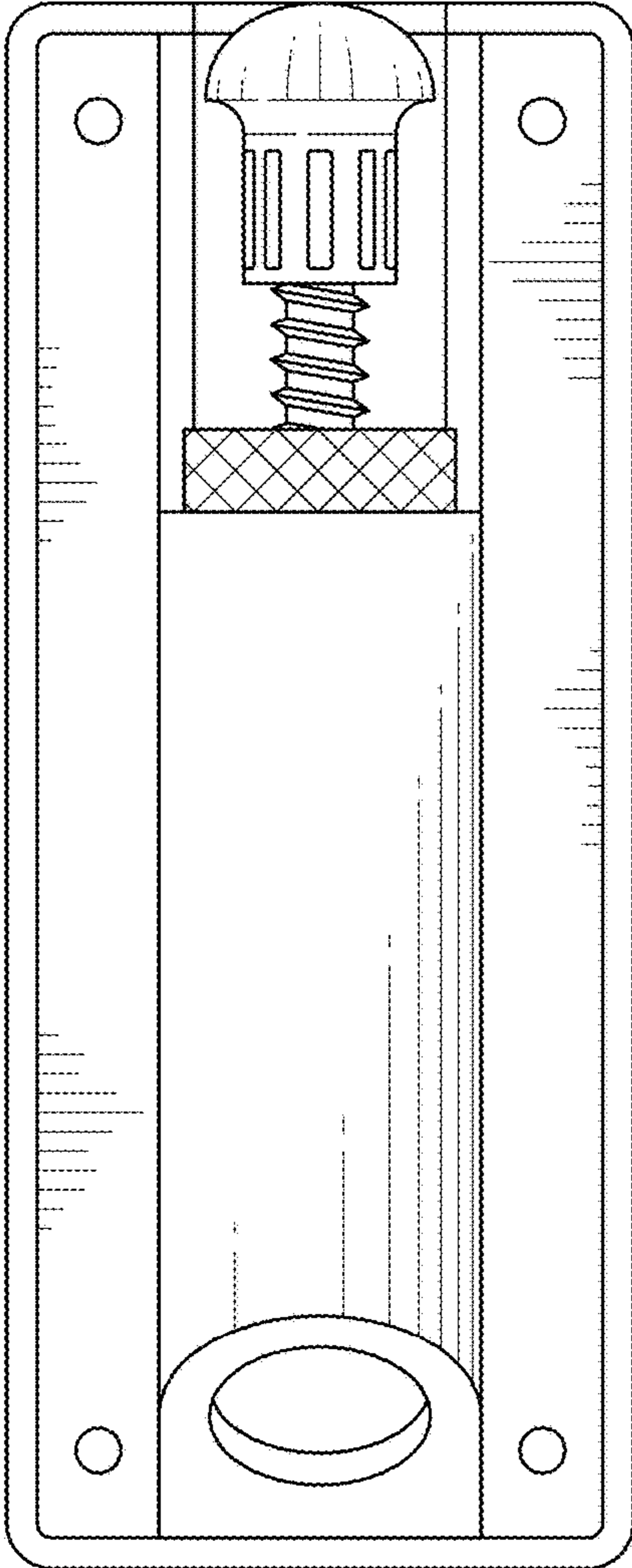


FIG. 2

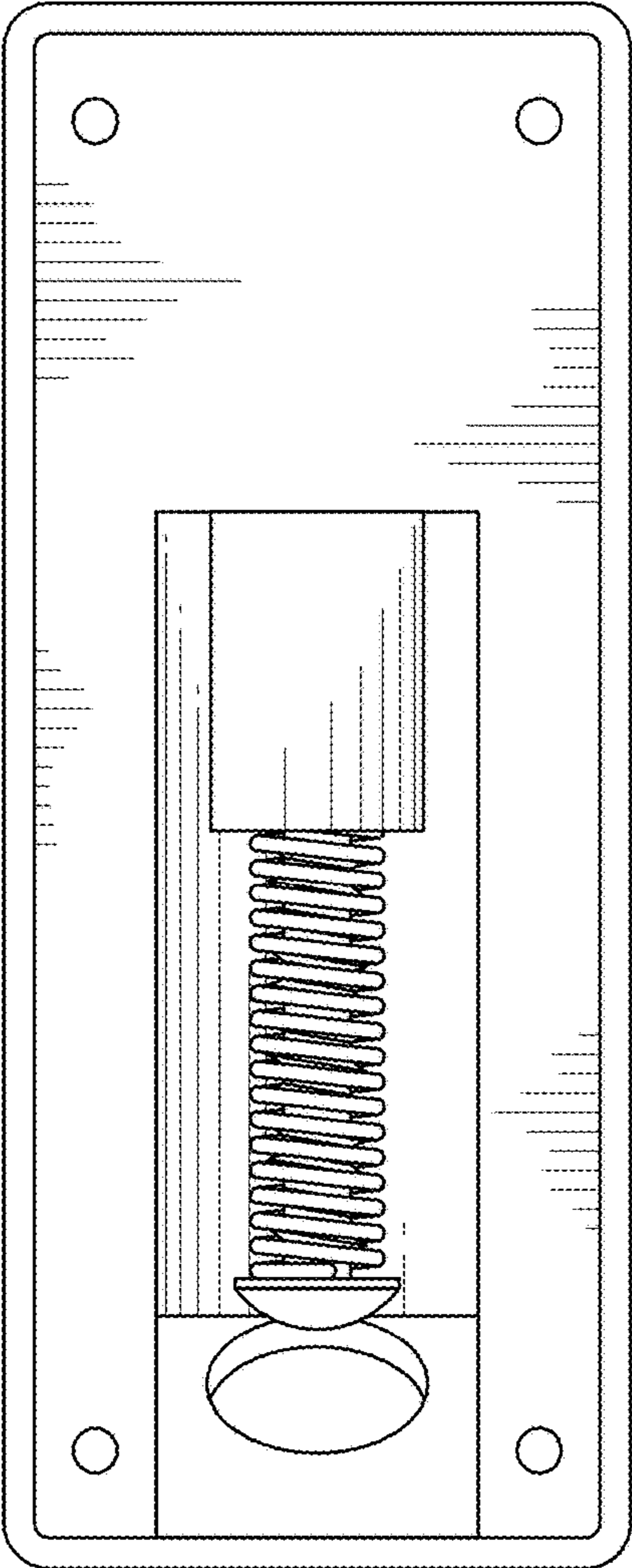


FIG. 3

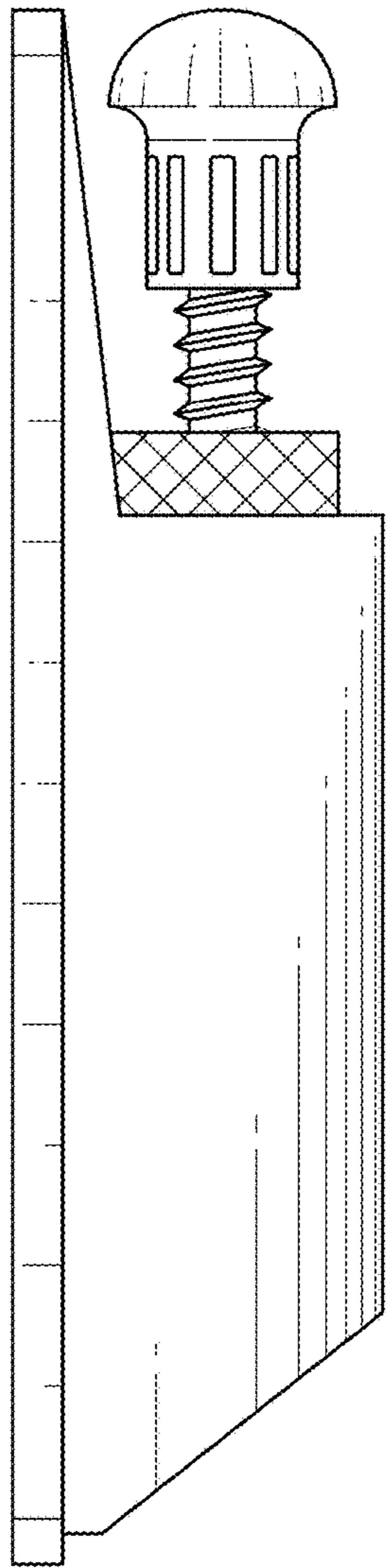


FIG. 4

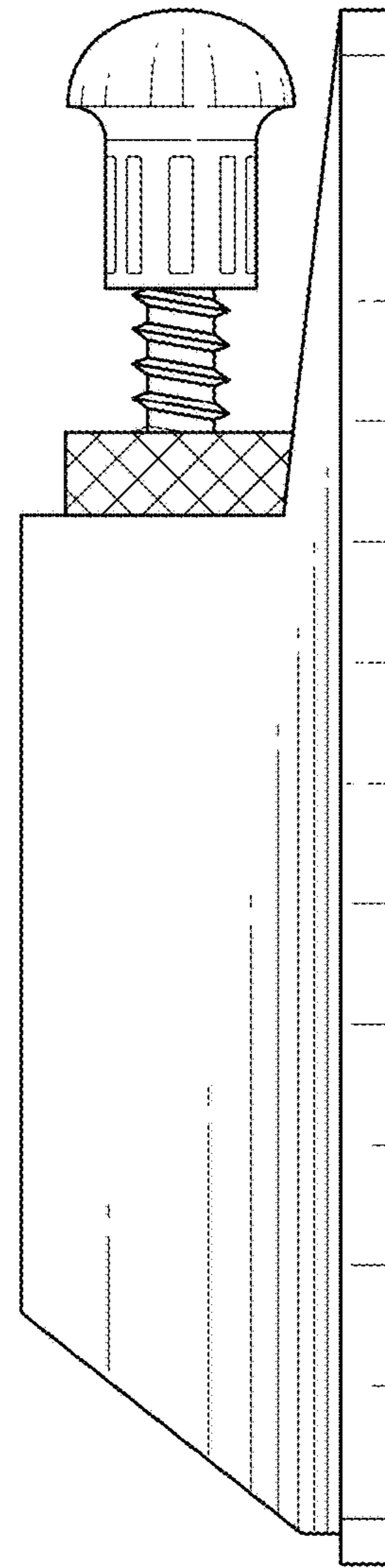


FIG. 5

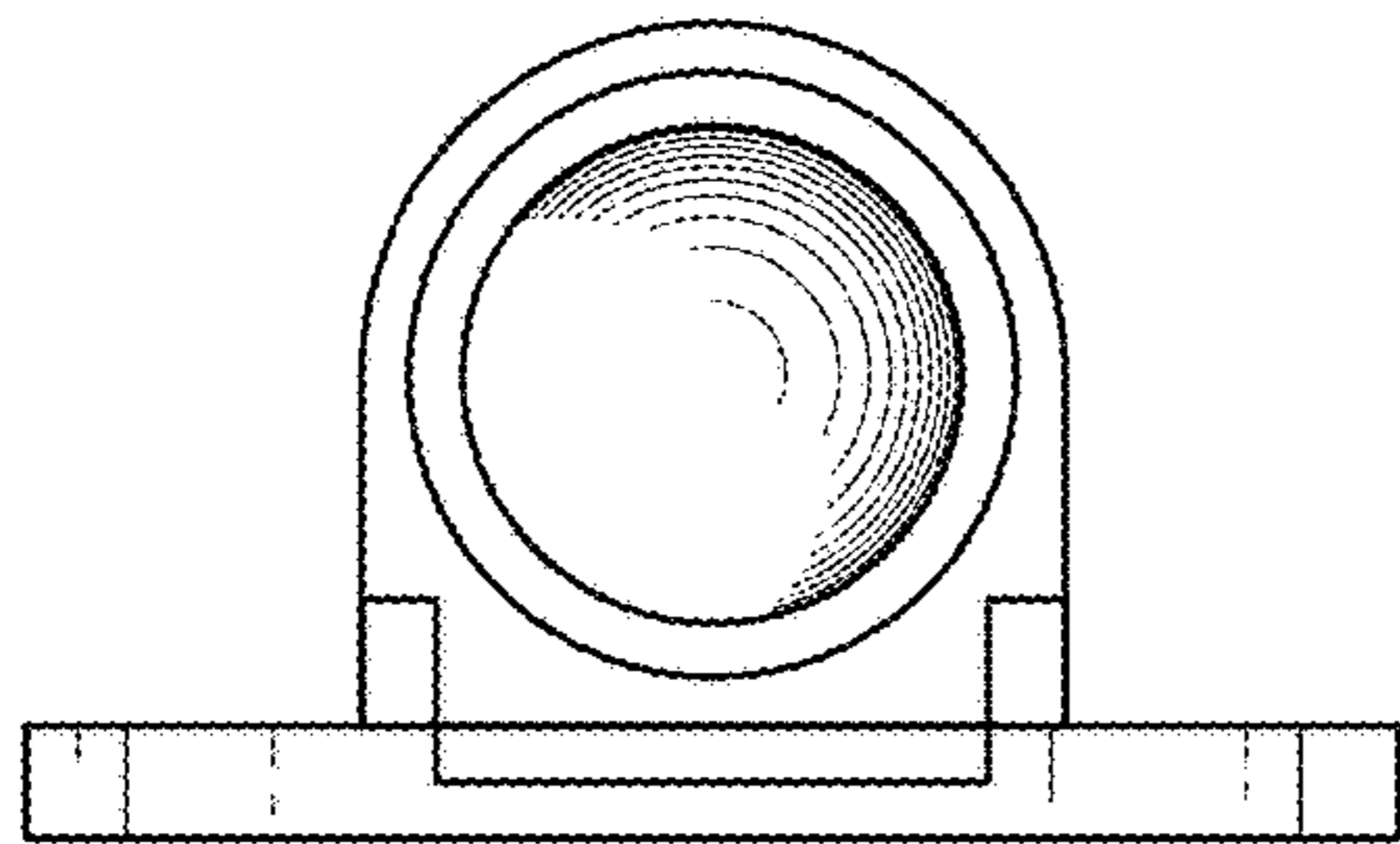


FIG. 6

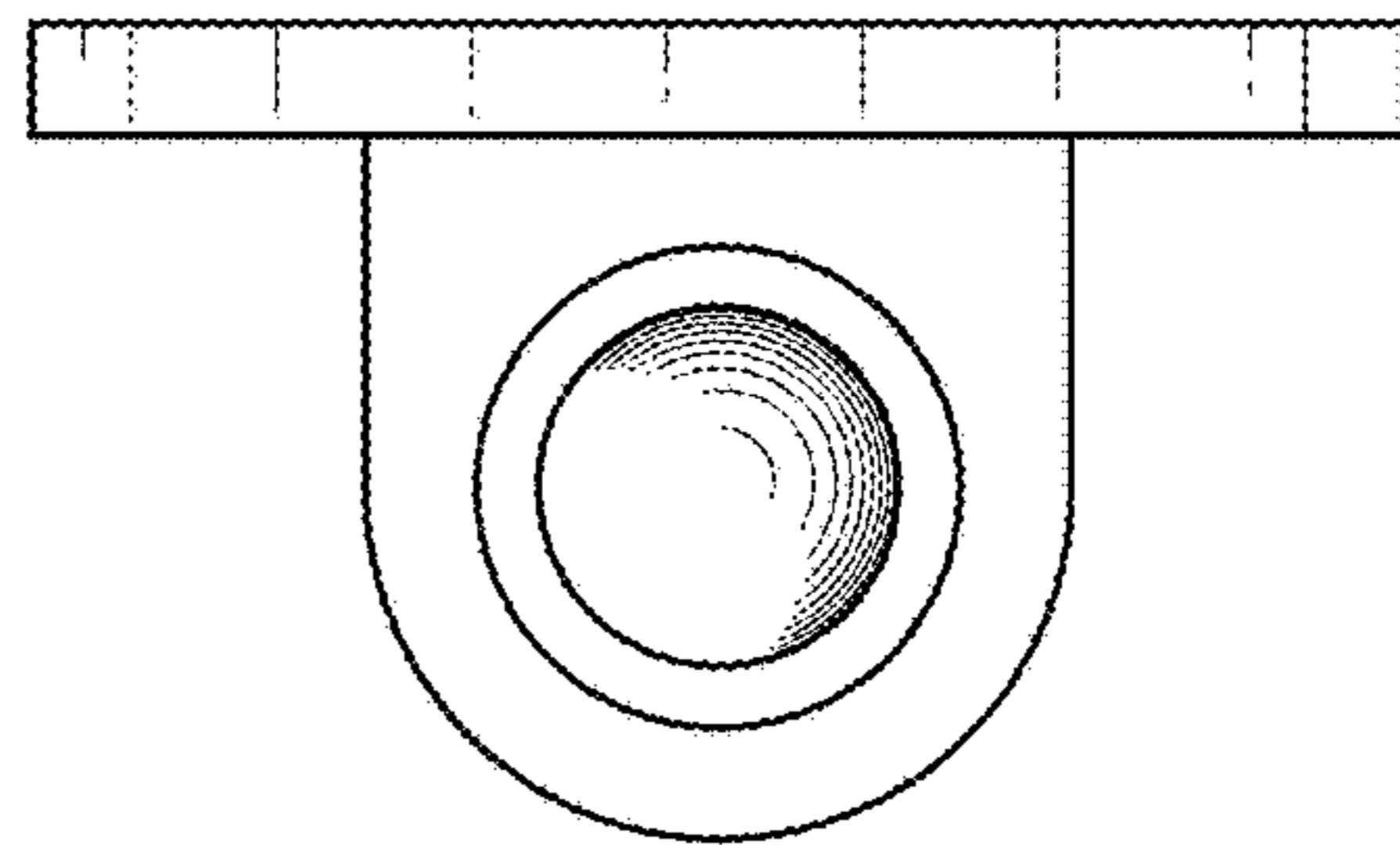


FIG. 7