



US00D865484S

(12) **United States Design Patent** (10) **Patent No.:** **US D865,484 S**
Zhu (45) **Date of Patent:** **** Nov. 5, 2019**

(54) **30 AMP 90 DEGREE TWIST LOCK**

(71) Applicant: **ZH Brothers International, Inc.**,
Mishawaka, IN (US)

(72) Inventor: **Guoqiang Zhu**, Mishawaka, IN (US)

(**) Term: **15 Years**

(21) Appl. No.: **29/614,023**

(22) Filed: **Aug. 15, 2017**

(51) **LOC (12) Cl.** **08-07**

(52) **U.S. Cl.**
USPC **D8/334**

(58) **Field of Classification Search**
USPC D8/330, 331, 333, 334, 339-341, 343,
D8/349; 70/20, 30, 31, 38 A, 38 R, 51,
70/52, 57.1, 141, 233, 431, 49, 26, 312,
70/23, 22, 315-318; D13/133, 137.2,
D13/138.1

CPC E05B 37/00; E05B 37/02; E05B 37/08;
E05B 69/00; E05B 67/003; E05B 67/06;
E05B 71/00; H01R 13/684; H01R 13/52;
H01R 13/64; H01R 13/622; H01H 85/20

See application file for complete search history.

(56) **References Cited**

U.S. PATENT DOCUMENTS

D803,158 S *	11/2017	Smajda	D13/138.1
D810,686 S *	2/2018	Cantz	D13/133
D826,858 S *	8/2018	Little	D13/137.2
D830,306 S *	10/2018	Cantz	D13/133
D836,555 S *	12/2018	Xu	D13/137.2
D837,035 S *	1/2019	Zhu	D8/331
2015/0021256 A1 *	1/2015	Luther	B01D 29/21 210/233
2017/0229804 A1 *	8/2017	Kurita	H01R 13/5202
2018/0069349 A1 *	3/2018	Kato	H01R 13/6588
2018/0123295 A1 *	5/2018	August	H01H 85/203
2018/0248322 A1 *	8/2018	Foran	H01R 24/40

OTHER PUBLICATIONS

30 Amp 90 Degree Twist Lock, Amazon, <https://www.amazon.com/Camco-55522-Standard-Locking-PowerGrip/dp/B005BNZh>. Retrieved on Aug. 29, 2019/ (Year: 2019).*
https://smile.amazon.com/Epicord-90-Degree-Dogbone-Adapter-30-Amp/dp/B079JX3F91/ref=sr_1_2?ie=UTF8&qid=1525189421&sr=8-2&keywords=30+amp+90+degree+twist+lock The author of the above reference is by ZH Brothers International and Guoqiang "Aston" Zhu.

* cited by examiner

Primary Examiner — Ian Simmons

Assistant Examiner — Yolanda Robinson

(74) *Attorney, Agent, or Firm* — Botkin & Hall, LLP

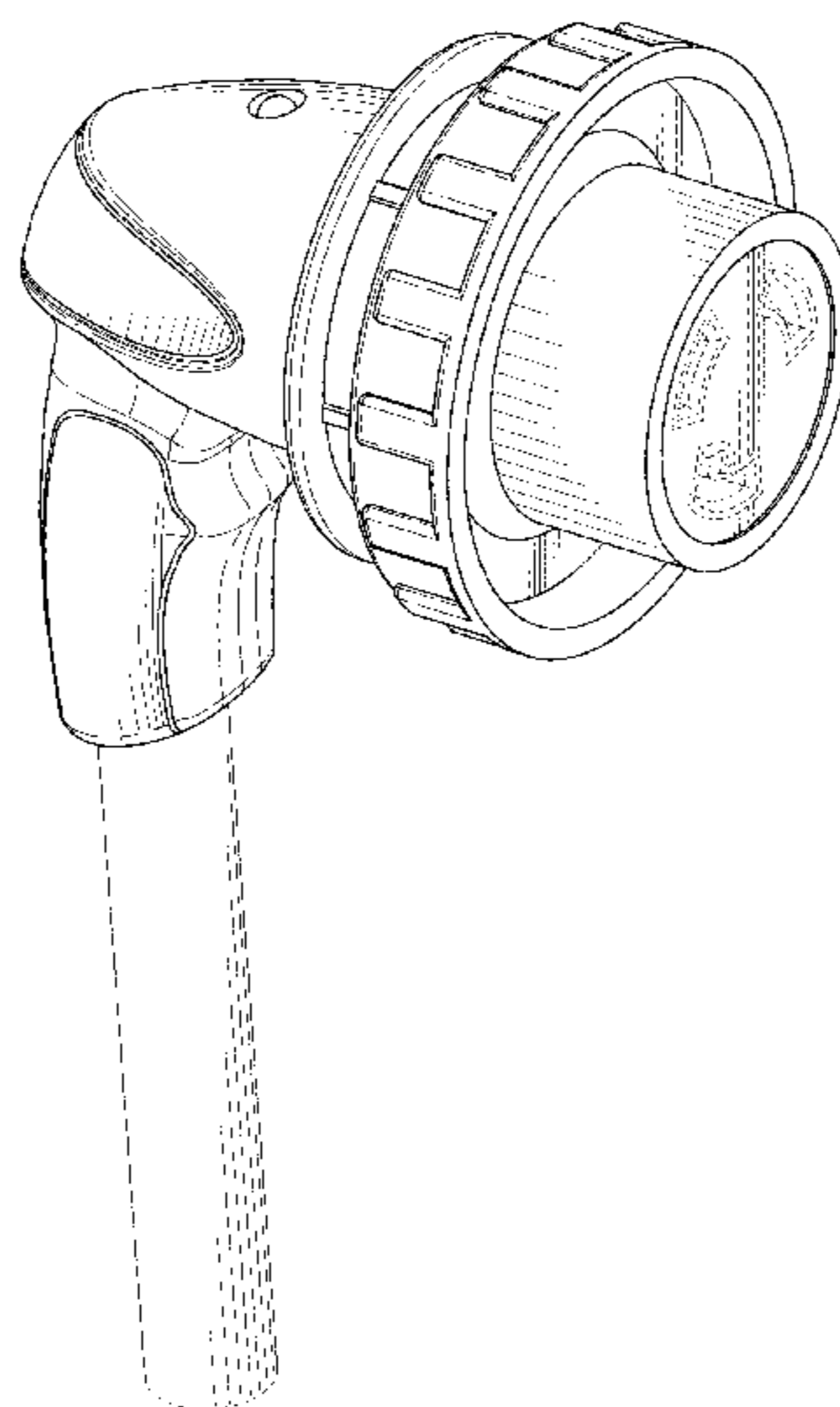
(57) **CLAIM**

The ornamental design for a 30 amp 90 degree twist lock, as shown and described.

DESCRIPTION

FIG. 1 is an isometric view of the 30 amp 90 degree twist lock;
FIG. 2 is a right side view of the 30 amp 90 degree twist lock of FIG. 1, the left side view being mirror symmetrical;
FIG. 3 is a top view of the 30 amp 90 degree twist lock of FIG. 1;
FIG. 4 is a bottom view of the 30 amp 90 degree twist lock of FIG. 1;
FIG. 5 is a rear view of the 30 amp 90 degree twist lock of FIG. 1; and,
FIG. 6 is a front view of the 30 amp 90 degree twist lock of FIG. 1.
The broken lines depict portions of the 30 amp 90 degree twist lock that form no part of the claimed design.

1 Claim, 6 Drawing Sheets



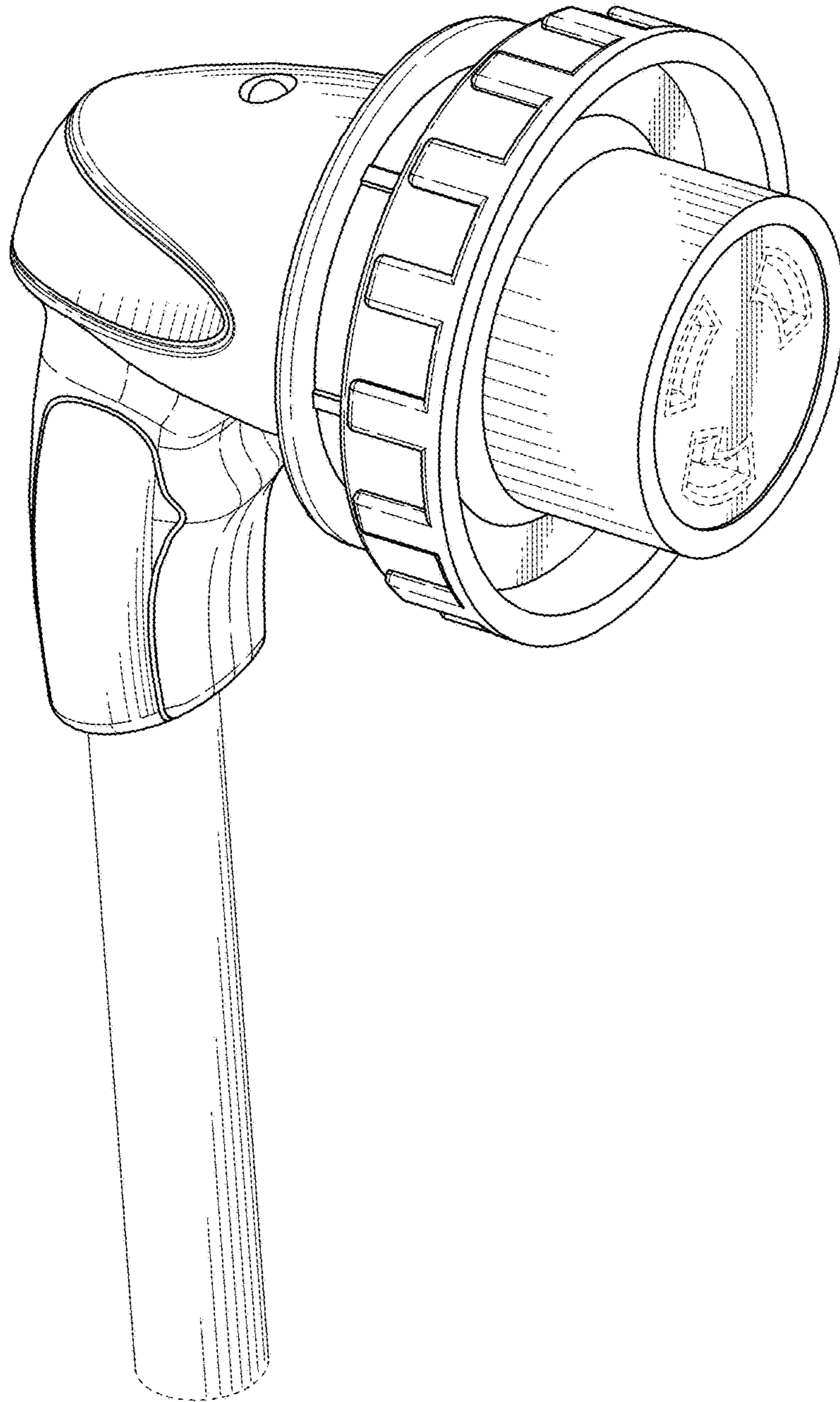


FIG. 1

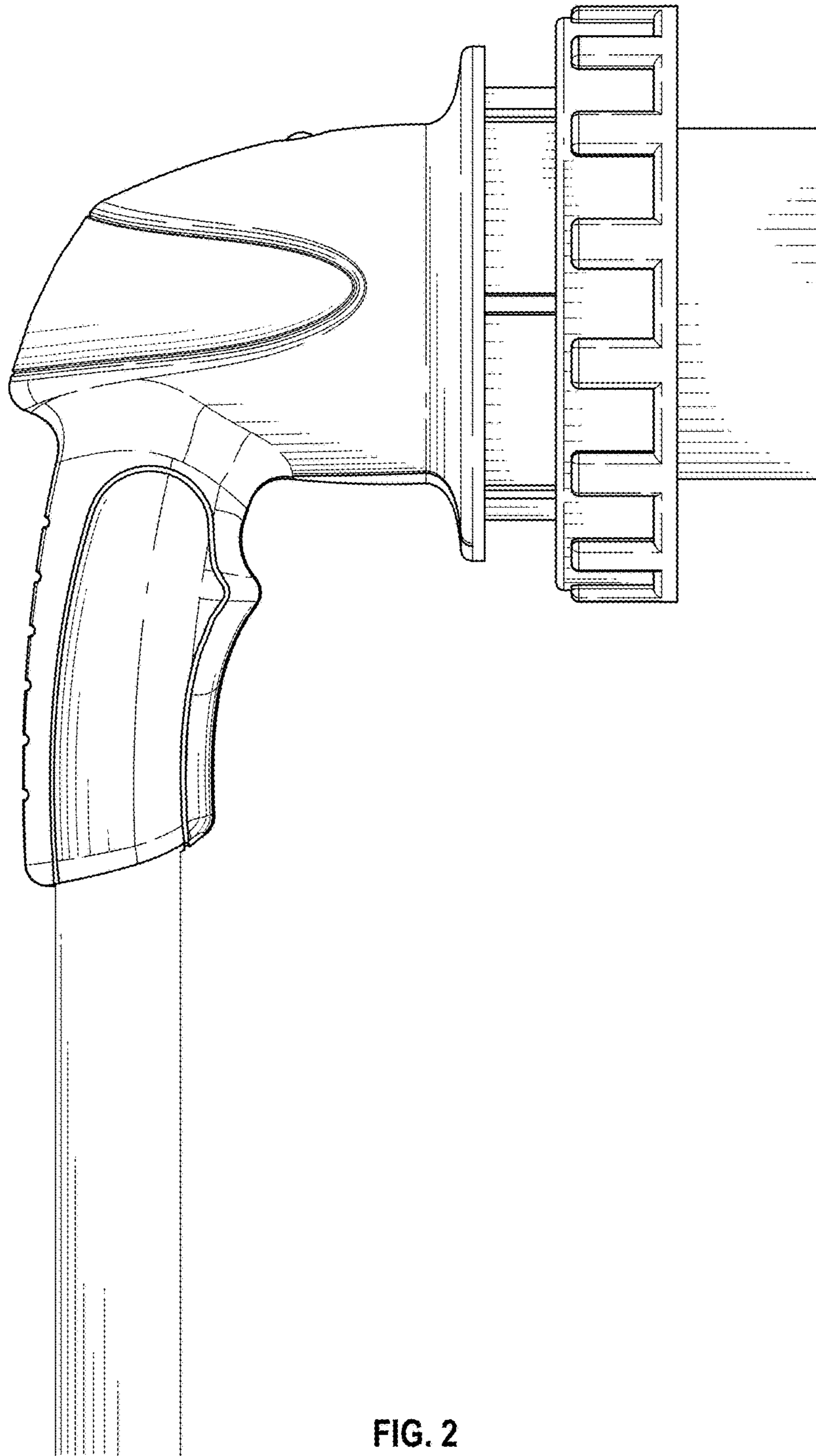


FIG. 2

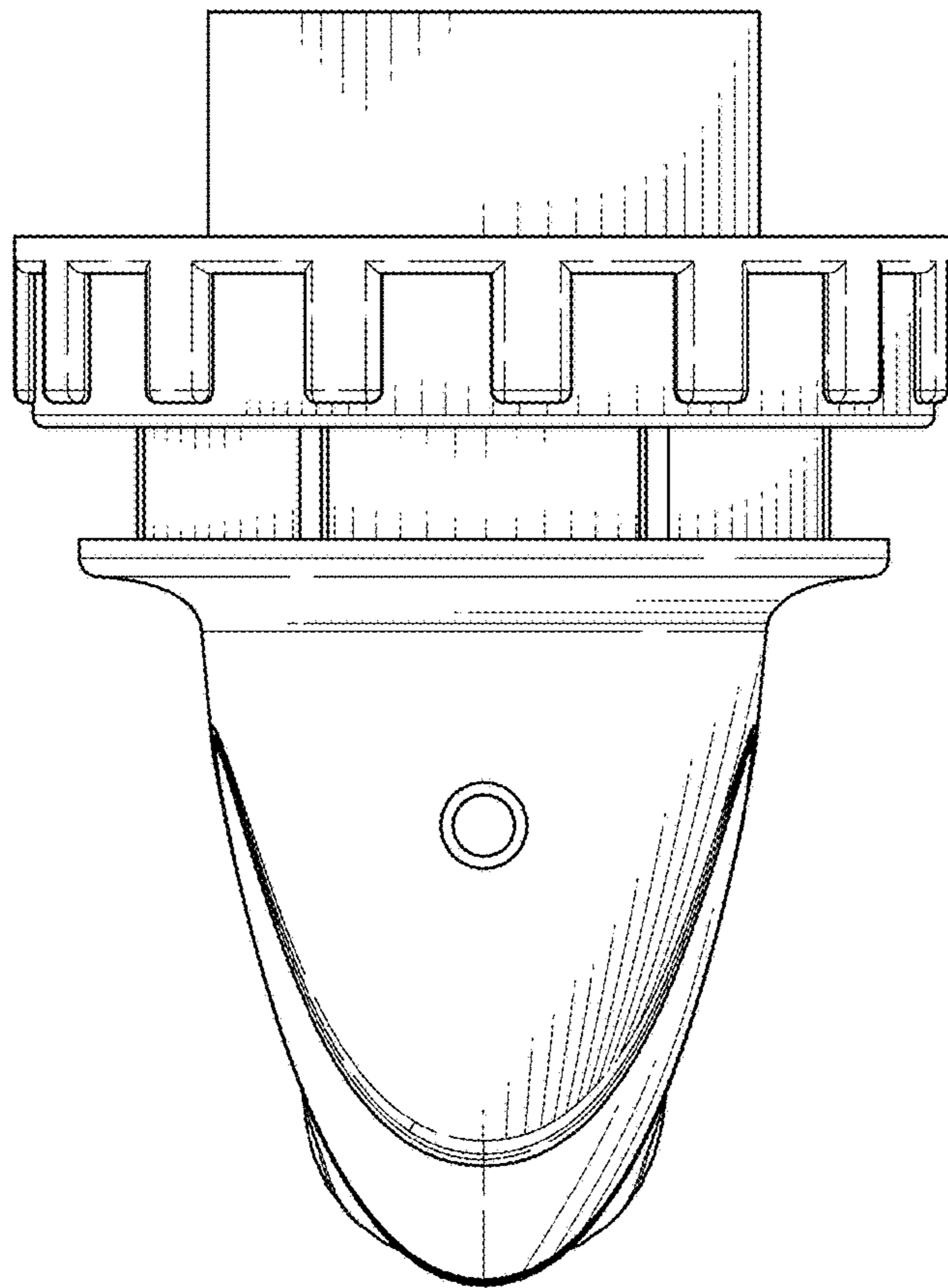


FIG. 3

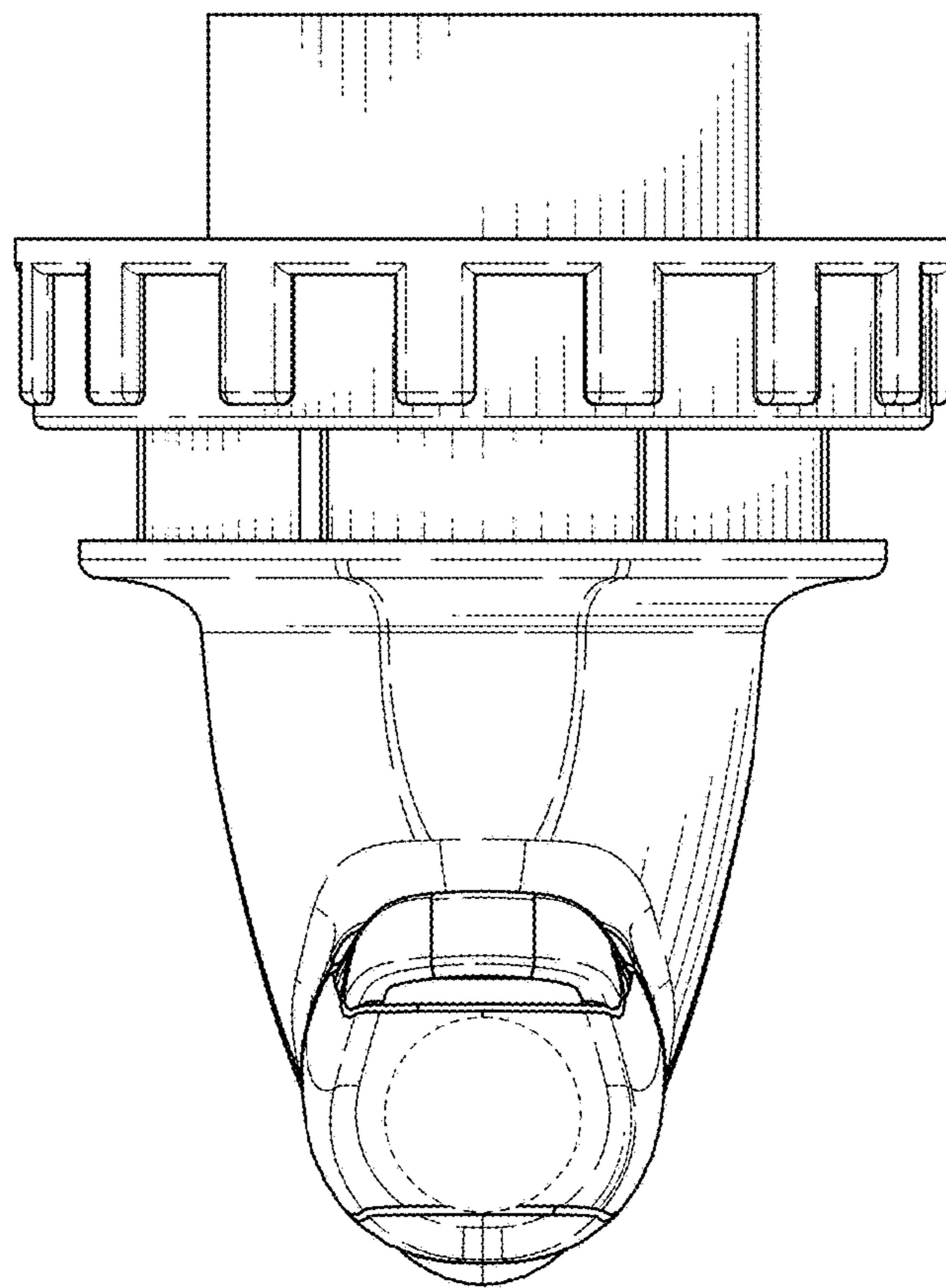


FIG. 4

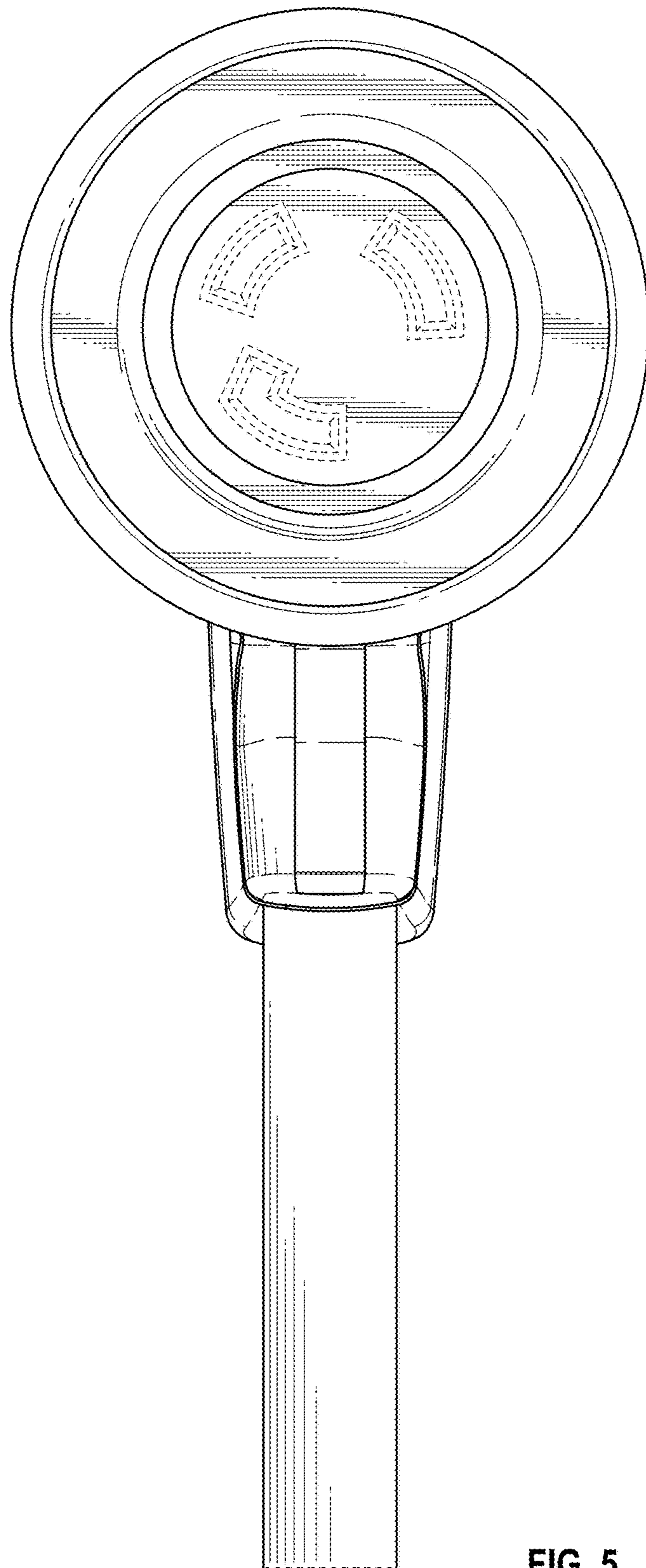


FIG. 5

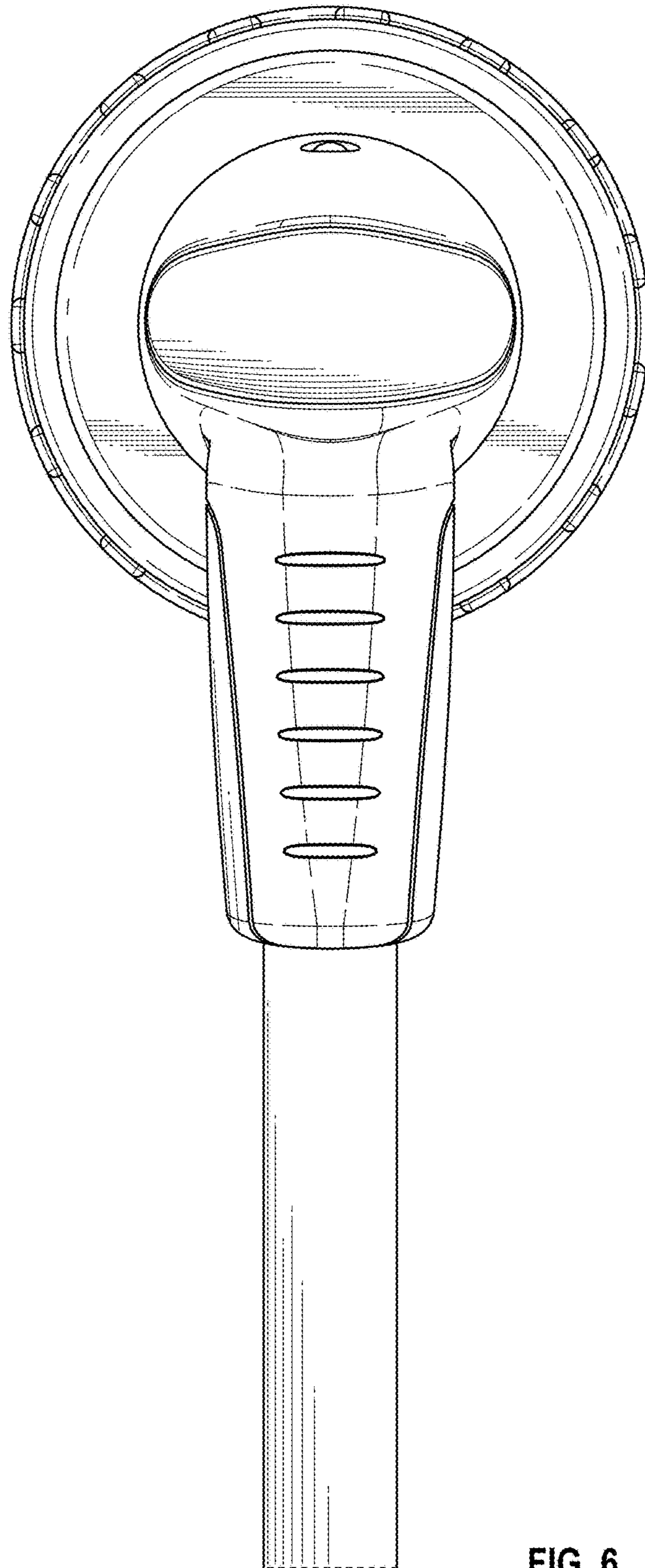


FIG. 6