



US00D865482S

(12) **United States Design Patent**
Morikawa

(10) **Patent No.:** **US D865,482 S**
(45) **Date of Patent:** **** Nov. 5, 2019**

(54) **DOOR HANDLE FOR AN AUTOMOBILE**

(71) Applicant: **HONDA MOTOR CO., LTD.**, Tokyo (JP)

(72) Inventor: **Tetsuji Morikawa**, Wako (JP)

(73) Assignee: **HONDA MOTOR CO., LTD.**, Tokyo (JP)

(**) Term: **15 Years**

(21) Appl. No.: **29/598,654**

(22) Filed: **Mar. 28, 2017**

(30) **Foreign Application Priority Data**

Sep. 30, 2016 (JP) 2016-021104

(51) **LOC (12) Cl.** **08-06**

(52) **U.S. Cl.**
USPC **D8/302**

(58) **Field of Classification Search**

USPC D8/301, 302, 313, 315, 316, 318, 319, D8/320, 350; D12/195

CPC ... Y10T 16/44; Y10T 292/57; Y10T 70/5761; Y10T 70/5832; Y10T 16/458; Y10T 292/1047; Y10T 16/513; Y10T 70/5889; Y10T 16/498; Y10T 70/5792; Y10T 16/476; Y10T 16/86; Y10T 70/7062; Y10T 70/8568; Y10T 16/4713; Y10T 70/5819; Y10T 70/5155; Y10T 74/20732; Y10T 292/097; Y10T 292/1059; Y10T 70/7113; Y10T 70/7305; Y10T 292/1014; Y10T 292/1052; Y10S 292/23; Y10S 292/53; Y10S 292/31; Y10S 292/64; Y10S 70/31

See application file for complete search history.

(56) **References Cited**

U.S. PATENT DOCUMENTS

5,654,687 A * 8/1997 LaBonde B60R 25/1001 180/287

6,459,373 B1 * 10/2002 Edwards E05B 81/78 340/426.1

D536,595 S * 2/2007 Sakamoto D8/302
D585,719 S * 2/2009 Imai D8/300
D621,679 S * 8/2010 Ectors D8/302
D668,927 S * 10/2012 Matei D8/302
D672,219 S * 12/2012 Blanski D8/302
D688,112 S * 8/2013 Song D8/302
10,190,341 B2 * 1/2019 Lee E05B 85/16
2002/0089194 A1 * 7/2002 Nomura E05B 85/16 292/336.3
2005/0047162 A1 * 3/2005 Baek B60Q 1/2669 362/501
2005/0218668 A1 * 10/2005 Sakamoto E05B 77/04 292/336.3
2006/0091680 A1 * 5/2006 Cummins E05B 77/04 292/336.3
2008/0314097 A1 * 12/2008 Rohlfing E05B 81/78 70/256

(Continued)

Primary Examiner — Lauren R Calve

(74) *Attorney, Agent, or Firm* — Westerman, Hattori, Daniels & Adrian, LLP

(57) **CLAIM**

The ornamental design for a door handle for an automobile, as shown and described herein.

DESCRIPTION

FIG. 1 is a front side perspective view of a door handle for an automobile;

FIG. 2 is a front view thereof;

FIG. 3 is a left side view thereof;

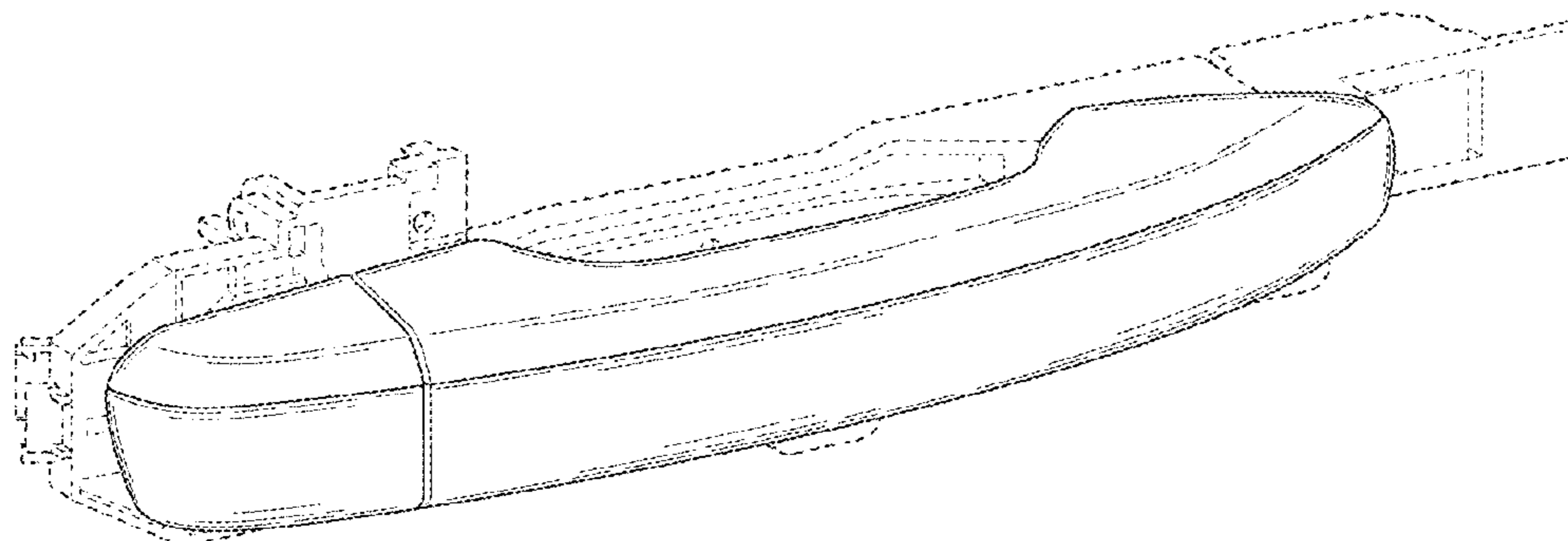
FIG. 4 is a right side view thereof;

FIG. 5 is a top plan view thereof; and,

FIG. 6 is a bottom view thereof.

The broken lines in the drawings illustrate portions of the door handle for an automobile that form no part of the claimed design.

1 Claim, 6 Drawing Sheets



(56)

References Cited

U.S. PATENT DOCUMENTS

2009/0284358	A1*	11/2009	Ieda	E05B 17/10	340/425.5
2010/0132162	A1*	6/2010	Gertig	B29C 45/006	16/412
2012/0104774	A1*	5/2012	Park	E05B 79/06	292/336.3
2012/0274087	A1*	11/2012	Savant	B60R 13/005	292/336.3
2014/0015262	A1*	1/2014	Da Deppo	E05B 77/06	292/336.3
2014/0015263	A1*	1/2014	Da Deppo	E05B 85/16	292/336.3
2014/0125072	A1*	5/2014	Nagata	E05B 85/16	292/336.3
2015/0091311	A1*	4/2015	Witte	E05B 77/34	292/336.3
2015/0225987	A1*	8/2015	Frattini	E05B 81/78	292/336.3
2015/0225988	A1*	8/2015	Kammerbauer	E05B 85/16	292/336.3
2015/0322699	A1*	11/2015	Ilardo	E05B 77/06	292/336.3
2016/0160539	A1*	6/2016	Saitou	E05B 85/16	292/336.3
2016/0319573	A1*	11/2016	Da Deppo	E05B 85/16	
2016/0371909	A1*	12/2016	Tabata	B60R 25/2036	
2016/0376819	A1*	12/2016	Bingle	G07C 9/00658	70/266
2017/0138097	A1*	5/2017	Patel	E05B 83/36	
2017/0203687	A1*	7/2017	Kuo	B60Q 3/80	
2017/0234042	A1*	8/2017	Kitahara	H05K 5/0017	327/517
2018/0298650	A1*	10/2018	Ichikawa	E05B 85/16	
2019/0016278	A1*	1/2019	Kozuma	B60R 13/04	
2019/0178013	A1*	6/2019	Toyama	E05B 85/107	

* cited by examiner

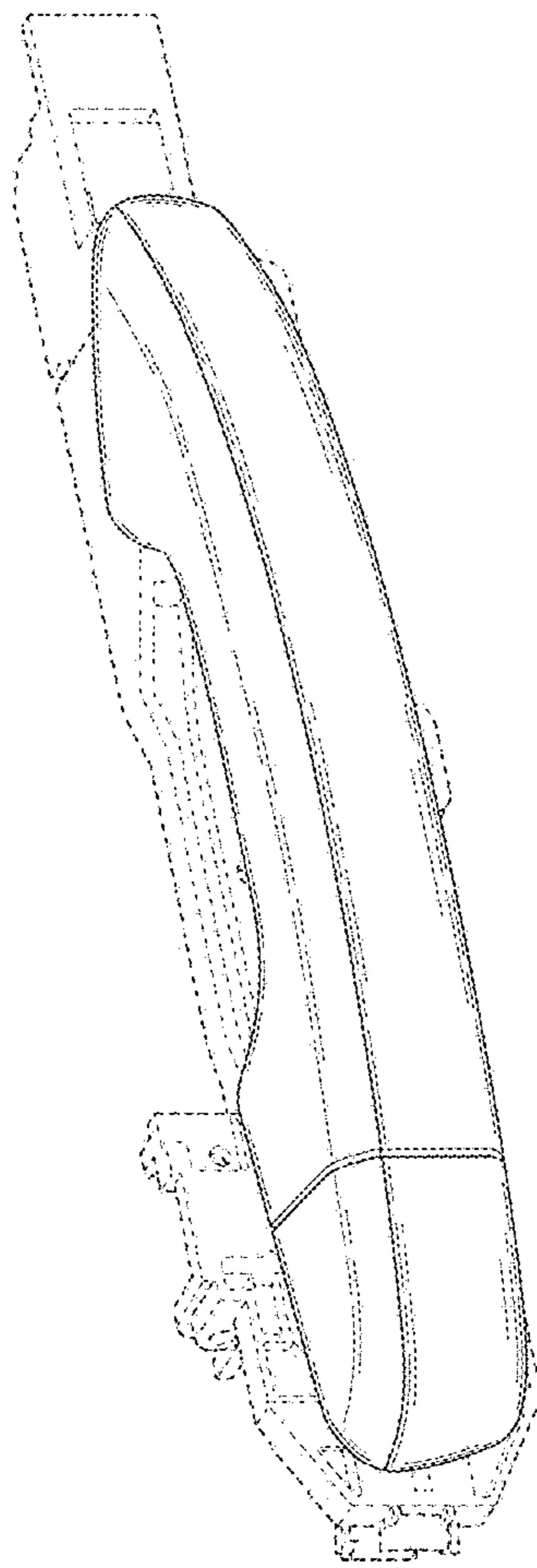


FIG.1

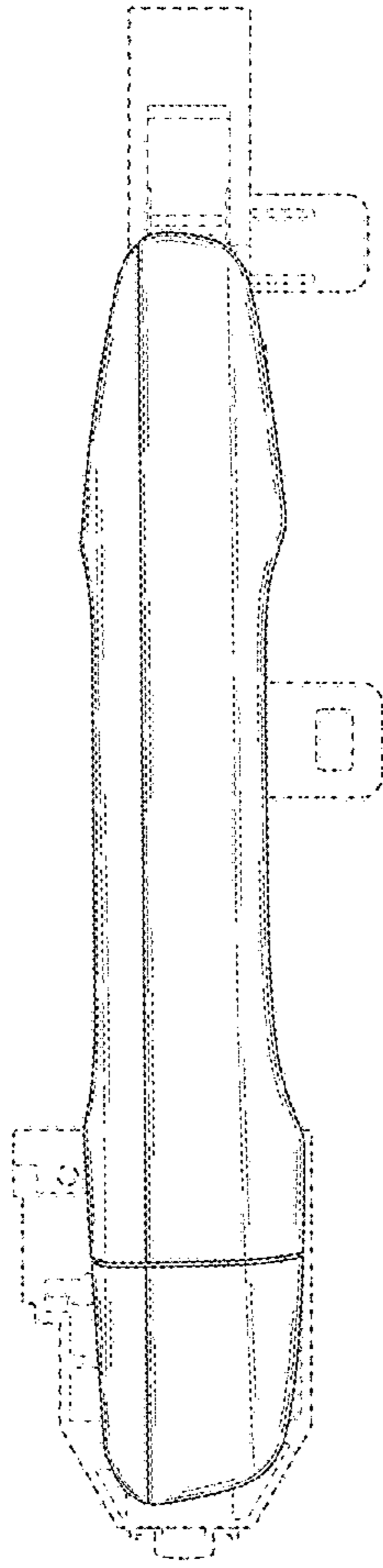


FIG.2

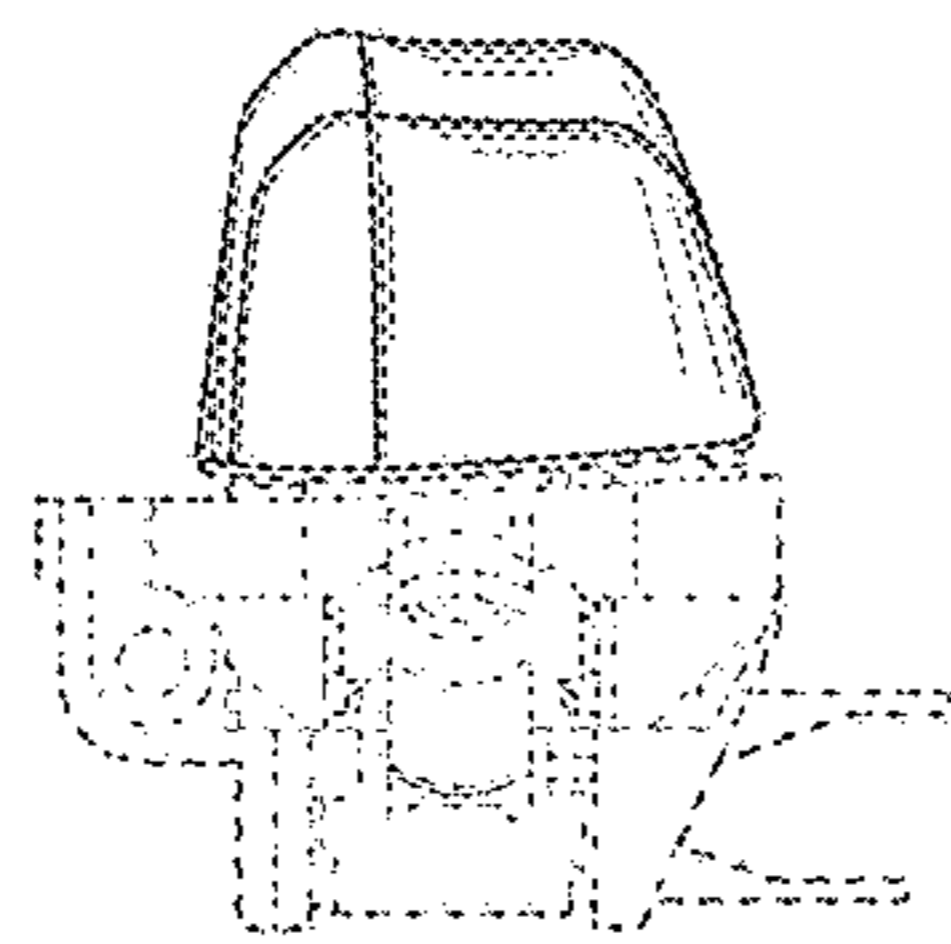


FIG. 3

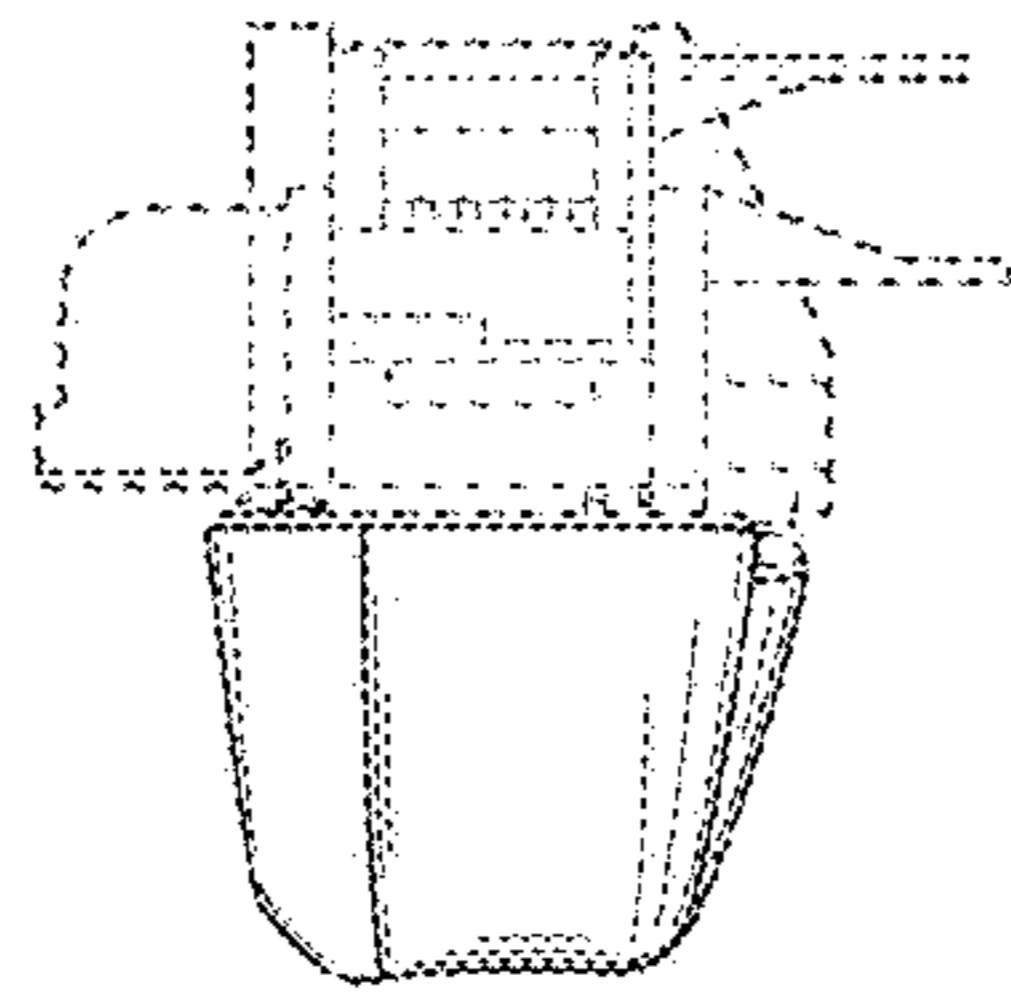


FIG.4

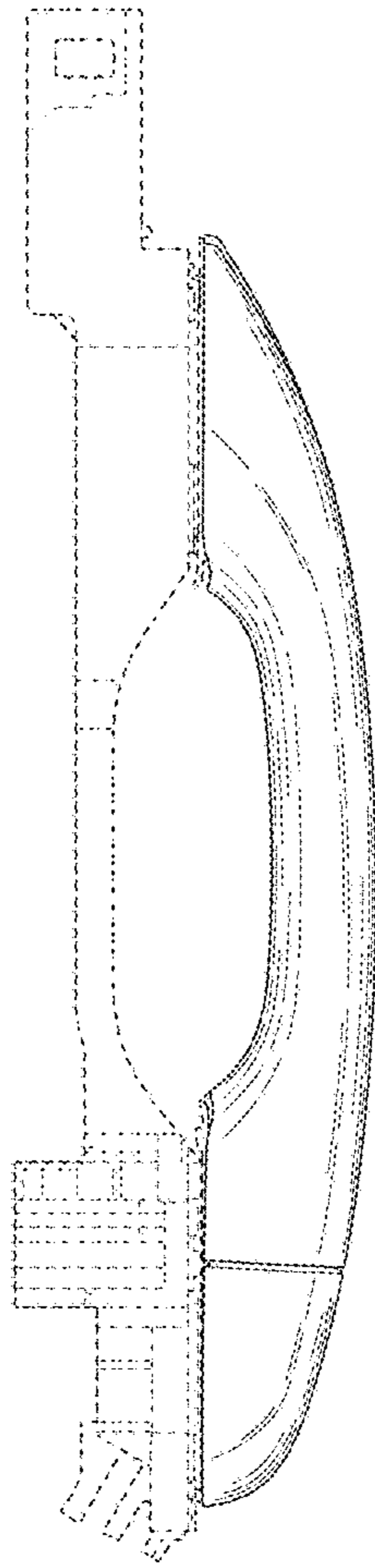


FIG.5

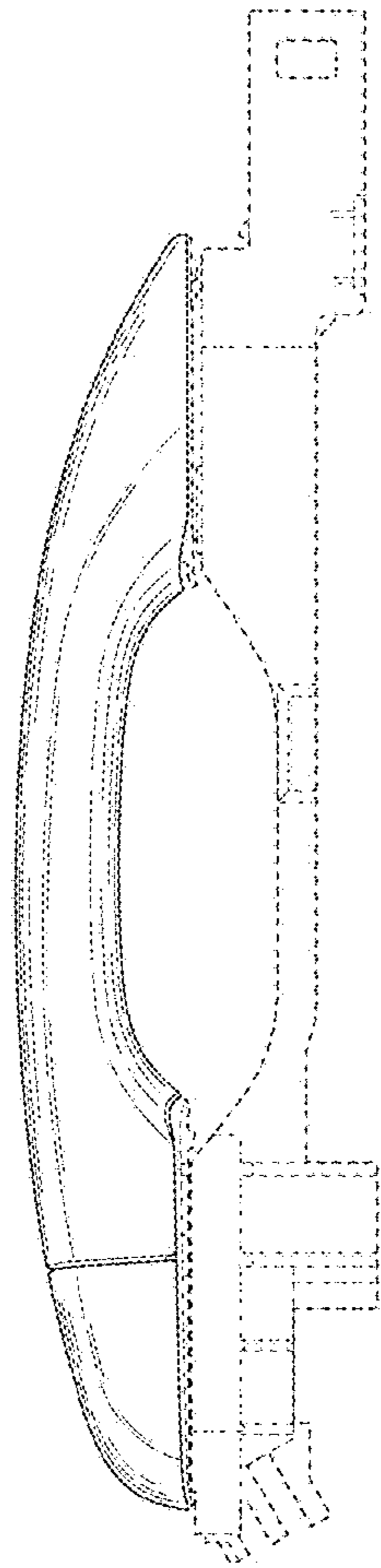


FIG.6