



US00D865481S

(12) **United States Design Patent** (10) **Patent No.:** **US D865,481 S**
Park (45) **Date of Patent:** **** Nov. 5, 2019**

(54) **MULTI-TOOL**

- (71) Applicant: **Bell Sports, Inc.**, Scotts Valley, CA (US)
- (72) Inventor: **Stephen C. Park**, San Jose, CA (US)
- (73) Assignee: **Bell Sports, Inc.**, Scotts Valley, CA (US)
- (**) Term: **15 Years**

(21) Appl. No.: **29/624,914**

(22) Filed: **Nov. 6, 2017**

(51) **LOC (12) Cl.** **08-05**

(52) **U.S. Cl.**
USPC **D8/105**

(58) **Field of Classification Search**
USPC ... D8/11, 26, 52, 54, 55, 75, 76, 88, 95, 99,
D8/105-107; D29/124; D22/117, 118
CPC . B25F 1/006; B25F 1/003; A62B 3/00; B25D
1/00; F41B 13/00
See application file for complete search history.

(56) **References Cited**

U.S. PATENT DOCUMENTS

D171,045 S *	12/1953	Noe	D11/216
5,303,439 A *	4/1994	Seals	B25B 13/56 59/7
D382,190 S *	8/1997	Blackston	D8/105
D427,501 S *	7/2000	Berg	D8/105
D470,738 S *	2/2003	Kao	D8/105
6,751,820 B1 *	6/2004	Wu	B25B 27/0071 30/153
6,916,106 B2 *	7/2005	Xingguo	B25B 13/56 362/120
D544,329 S *	6/2007	Tansbo	D8/105
7,281,456 B2 *	10/2007	Chiang	B25B 15/008 7/138

(Continued)

OTHER PUBLICATIONS

Lezyne Rap 15 Co2 Bike Tools, Lezyne, reviewed on Jul. 12, 2017 on amazon.com, retrieved on Jan. 10, 2019, retrieved from the Internet URL: <https://www.amazon.com/Lezyne-RAP-15-Bicycle-Multi-Tool/dp/B01J0KS8I6>.*

(Continued)

Primary Examiner — Jennifer Rivard
Assistant Examiner — Alison M Ofstun

(74) *Attorney, Agent, or Firm* — Booth Udall Fuller, PLC

(57) **CLAIM**

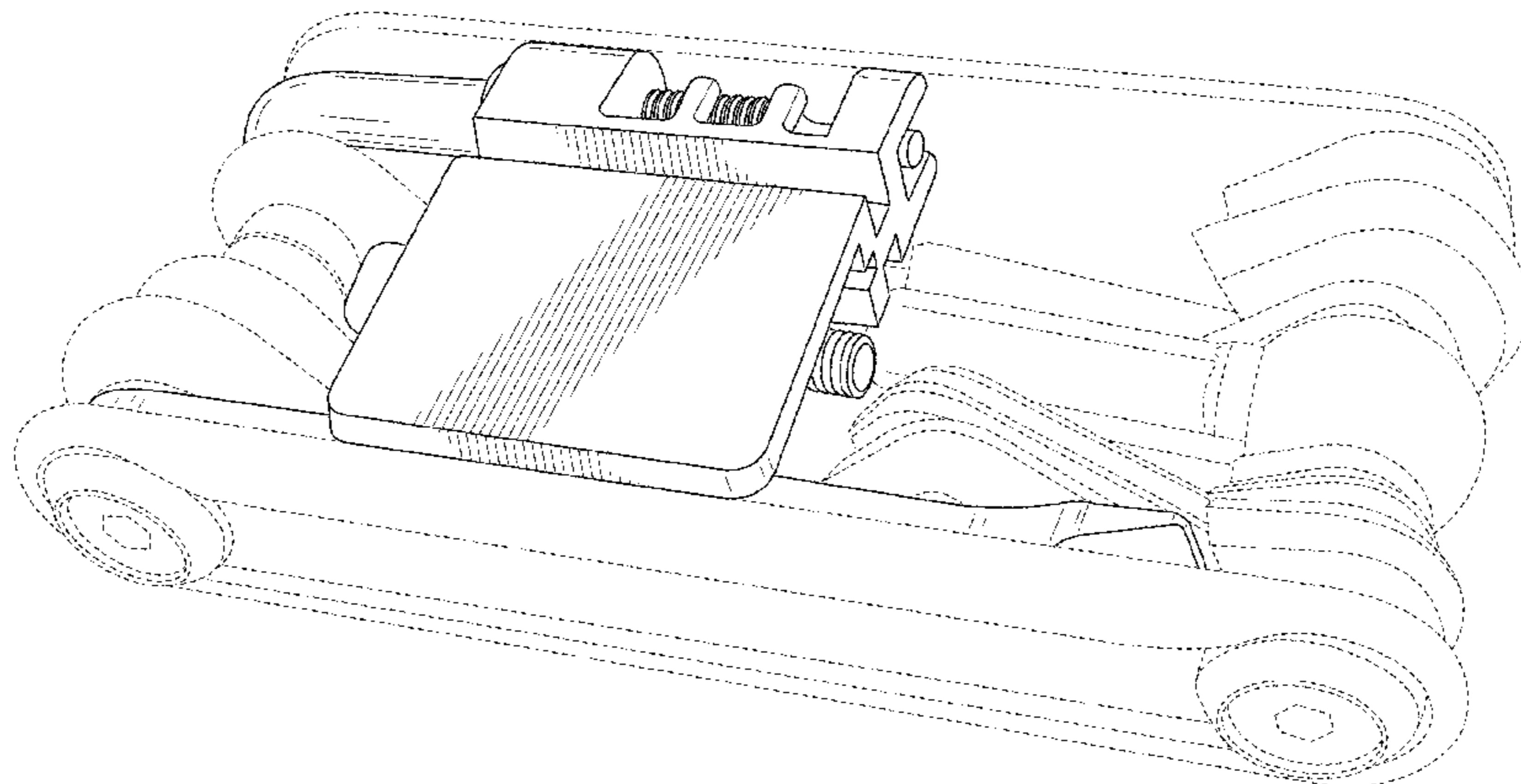
The ornamental design for a multi-tool, as shown and described.

DESCRIPTION

FIG. 1 is a perspective view of a multi-tool;
 FIG. 2 is a top view thereof;
 FIG. 3 is a bottom view thereof;
 FIG. 4 is a right side view thereof;
 FIG. 5 is a left side view thereof;
 FIG. 6 is a front view thereof;
 FIG. 7 is a back view thereof;
 FIG. 8 is a perspective view of the multi-tool of FIG. 1 with a tool extended;
 FIG. 9 is a top view thereof;
 FIG. 10 is a bottom view thereof;
 FIG. 11 is a right side view thereof;
 FIG. 12 is a left side view thereof;
 FIG. 13 is a front view thereof;
 FIG. 14 is a perspective view of the multi-tool of FIG. 1 with a storage wedge extended
 FIG. 15 is a top view thereof;
 FIG. 16 is a bottom view thereof;
 FIG. 17 is a right side view thereof;
 FIG. 18 is a left side view thereof; and,
 FIG. 19 is a front view thereof.

The broken lines in the figures represent portions of the article which form no part of the claimed design.

1 Claim, 19 Drawing Sheets



(56)

References Cited

U.S. PATENT DOCUMENTS

D569,214 S * 5/2008 Telfser D8/105
D627,201 S * 11/2010 Castro D8/105
D632,155 S * 2/2011 Lai D8/107
8,387,423 B2 * 3/2013 Taiga B62H 5/003
70/14
8,413,556 B2 * 4/2013 Chuang B25B 13/56
157/1.3
8,424,139 B2 * 4/2013 Wang B25F 1/04
59/11
D681,336 S * 5/2013 Zhang D3/315
RE44,675 E * 12/2013 Hawkins B25G 1/085
7/138
9,227,315 B2 * 1/2016 Hermansen B25B 15/008
D785,421 S * 5/2017 Park D8/21

OTHER PUBLICATIONS

Lezyne Rap Multi-Tools, O'Neal, published on Jun. 17, 2010 on
youtube.com, retrieved on May 31, 2019, retrieved from the Internet
URL: <https://www.youtube.com/watch?v=fffYprLsu0>.*

* cited by examiner

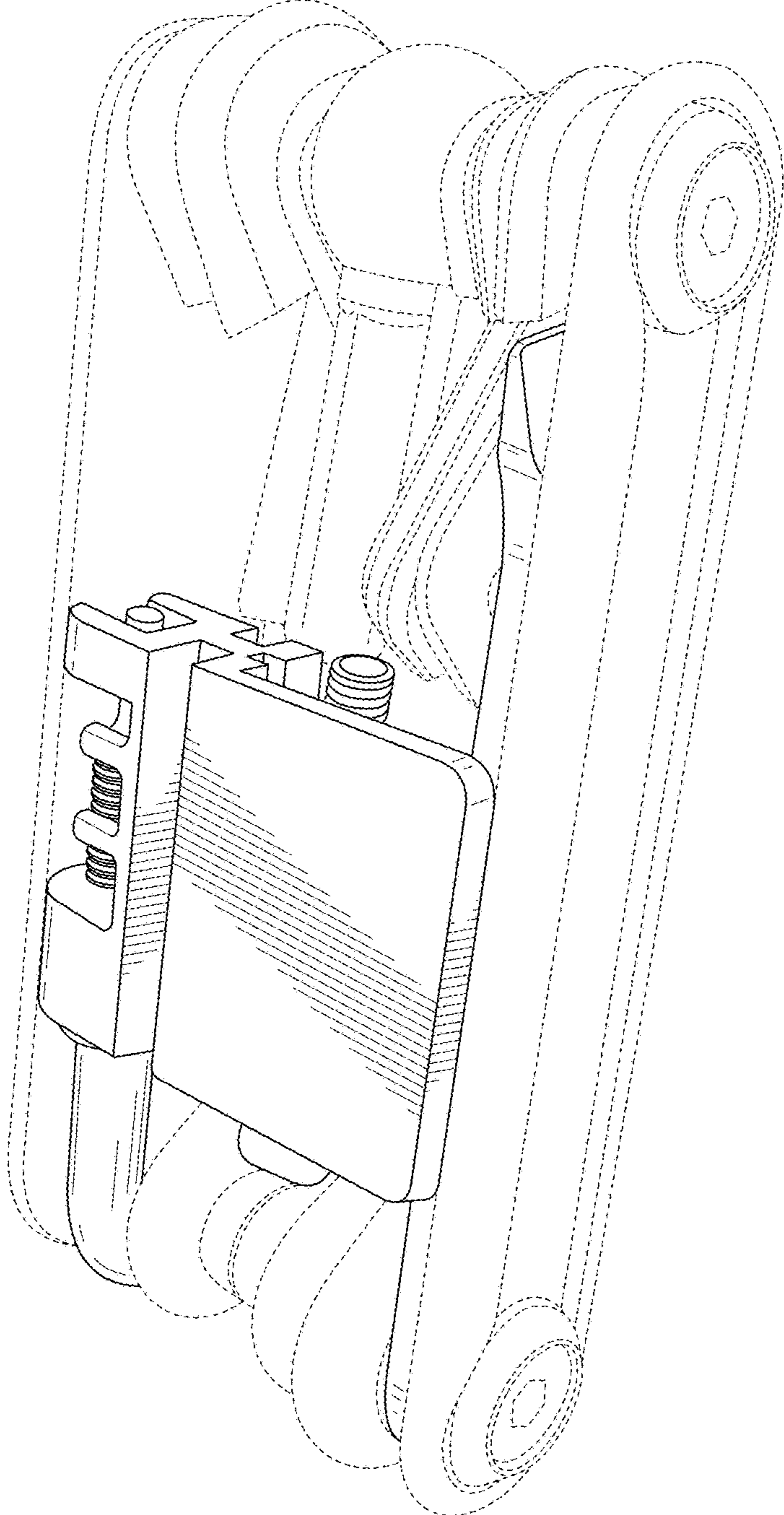


FIG. 1

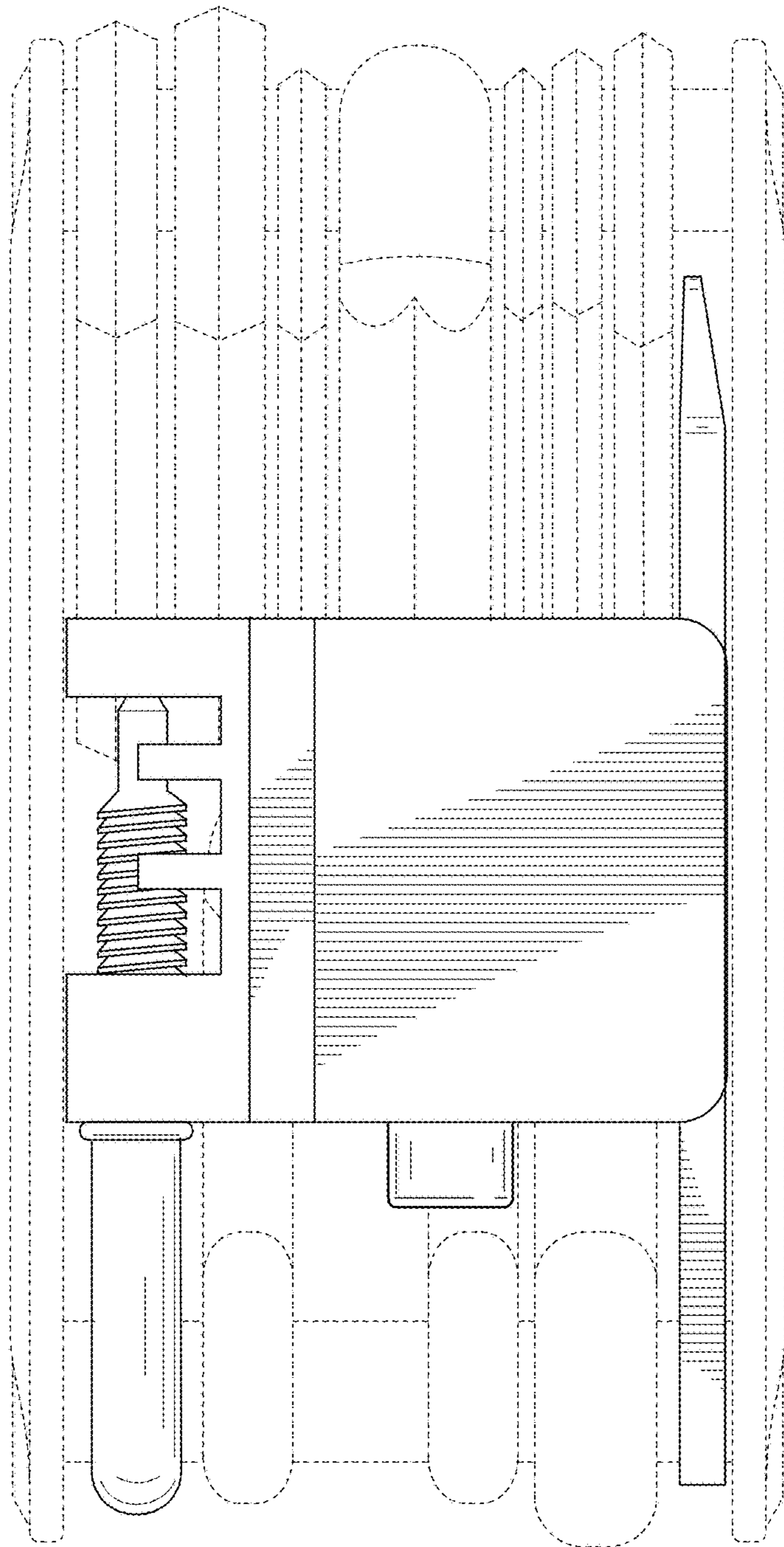


FIG. 2

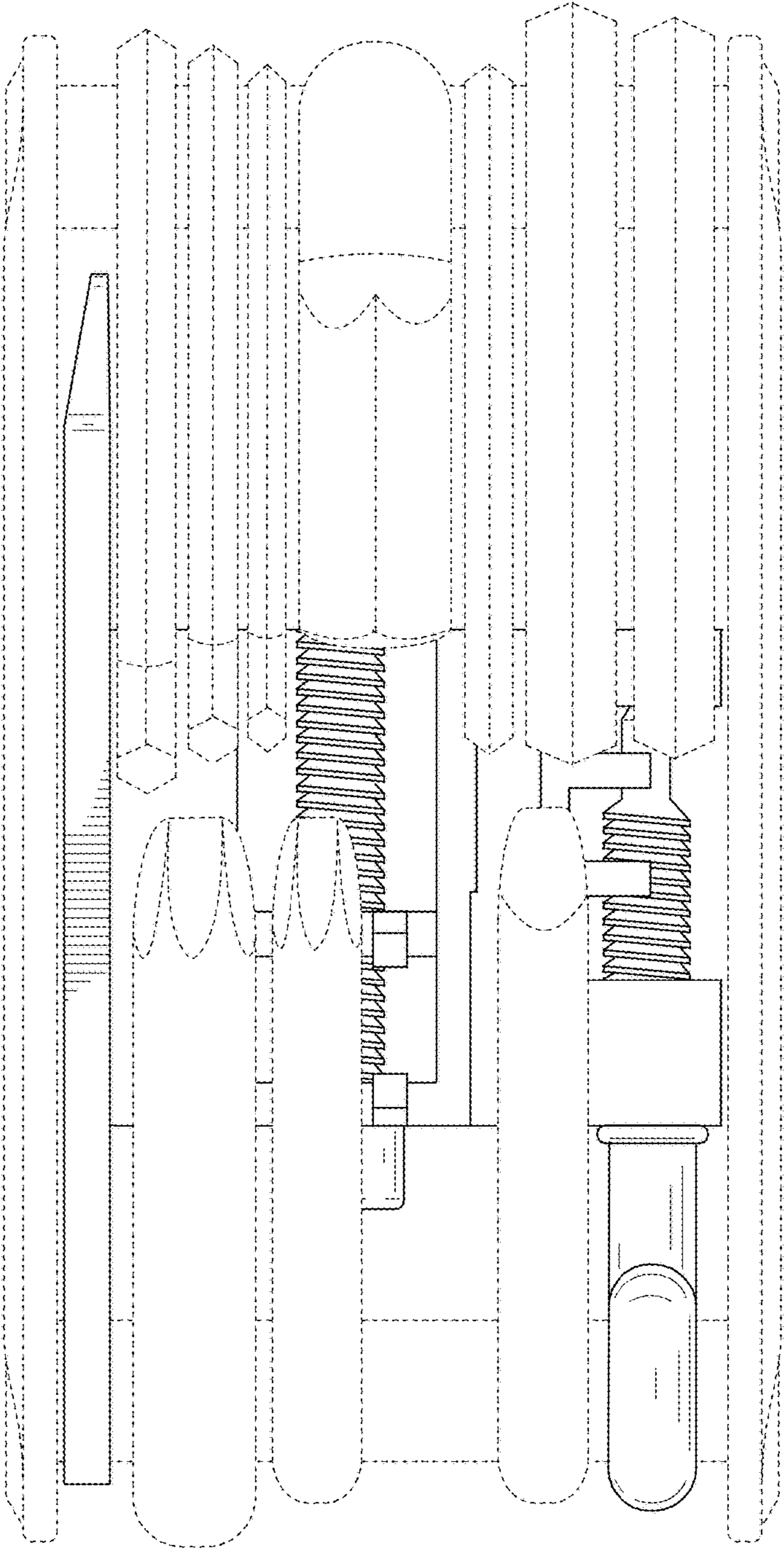


FIG. 3

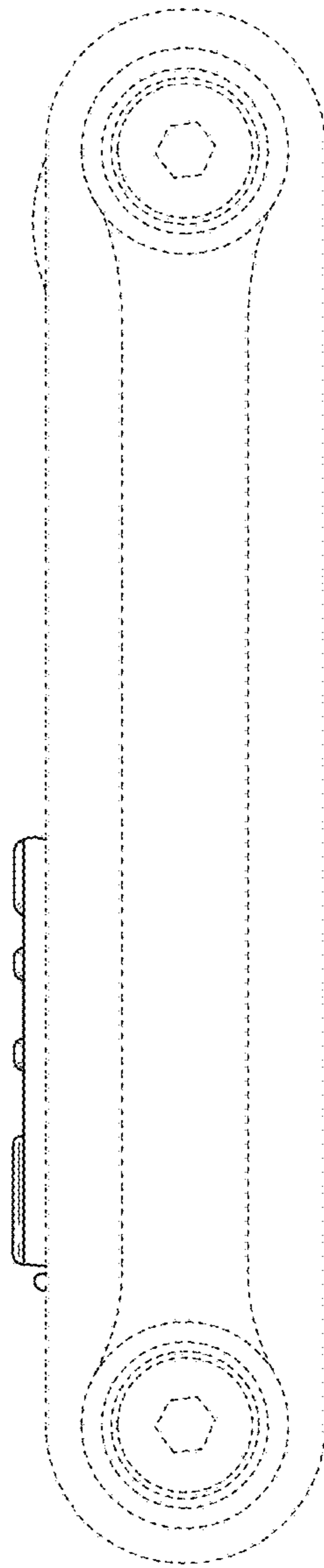


FIG. 4

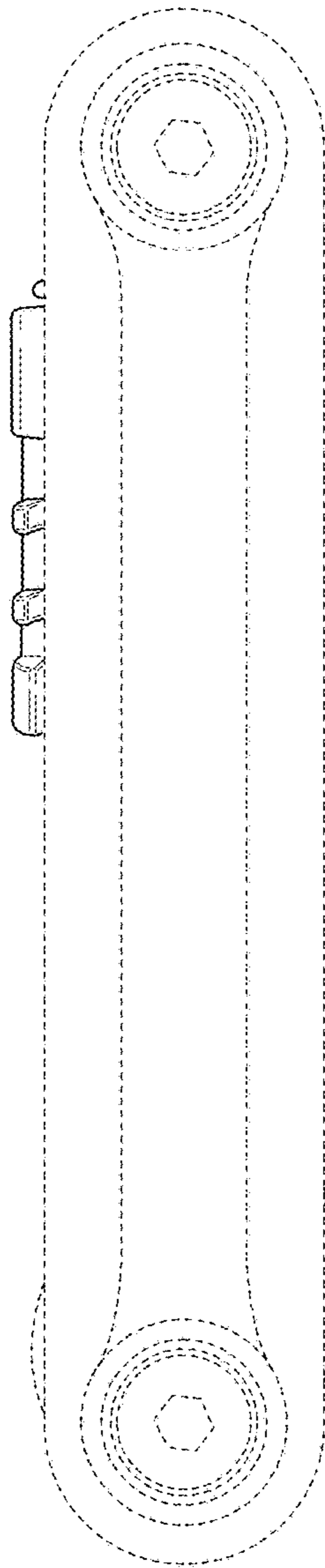


FIG. 5

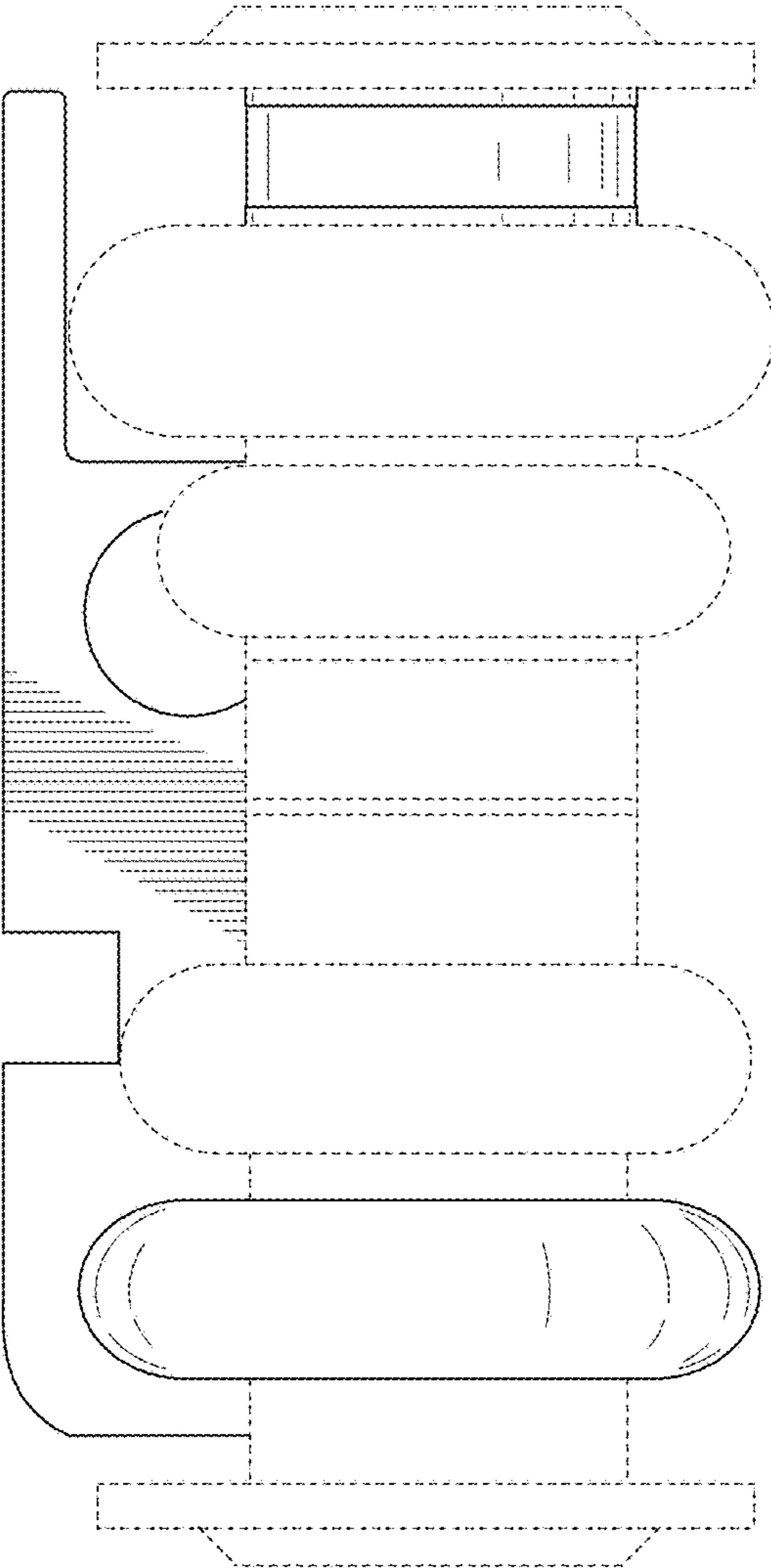


FIG. 6

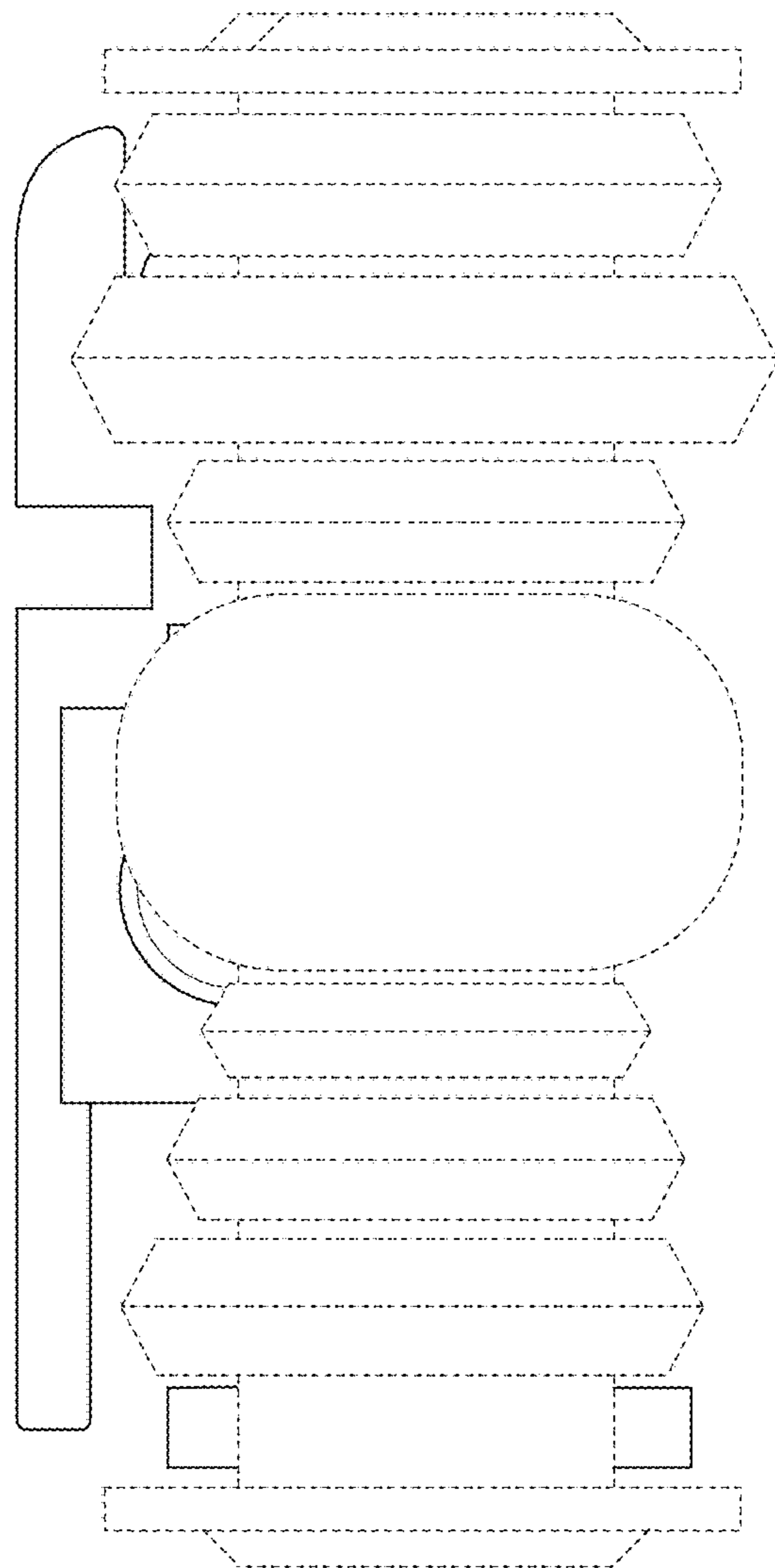


FIG. 7

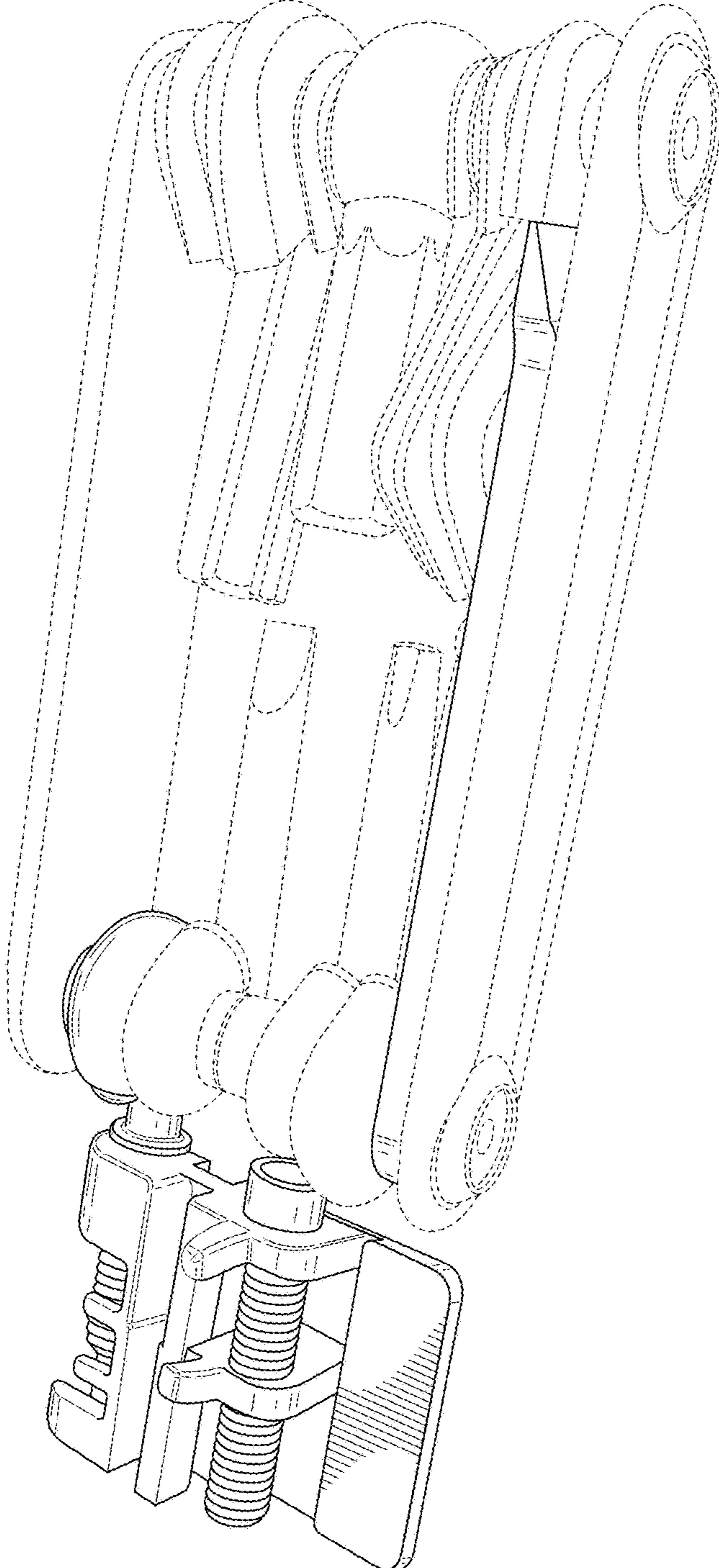


FIG. 8

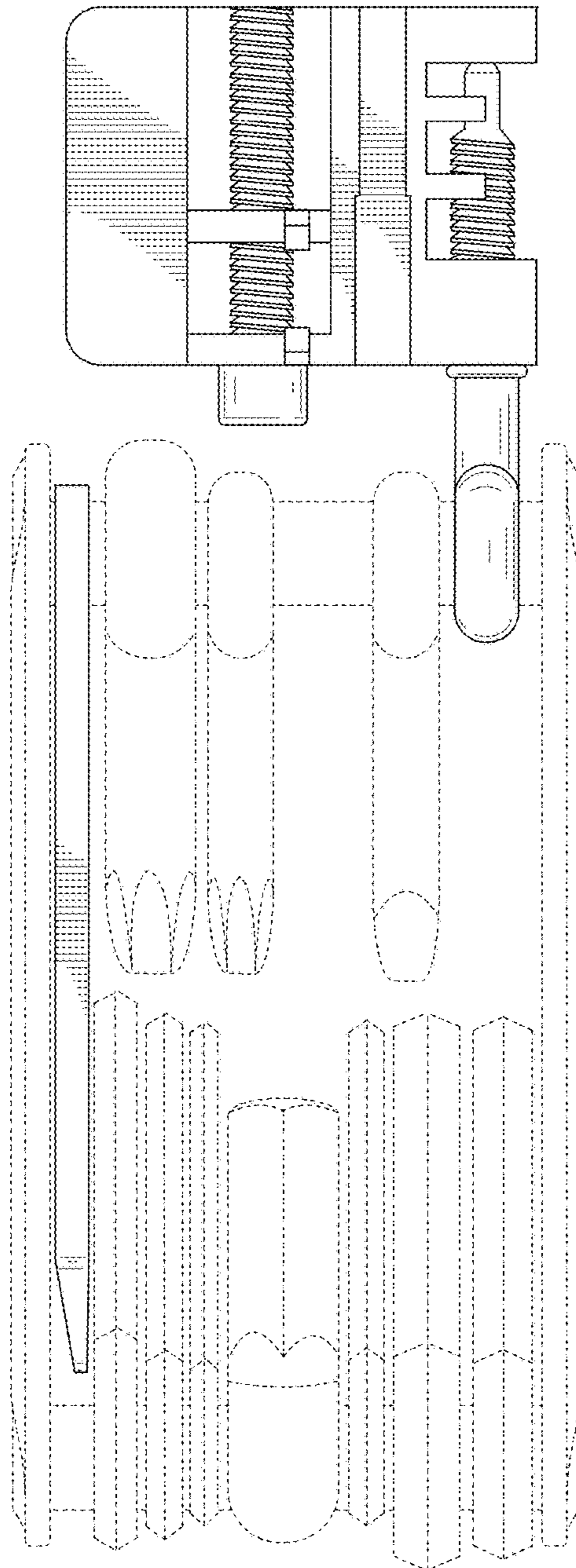


FIG. 9

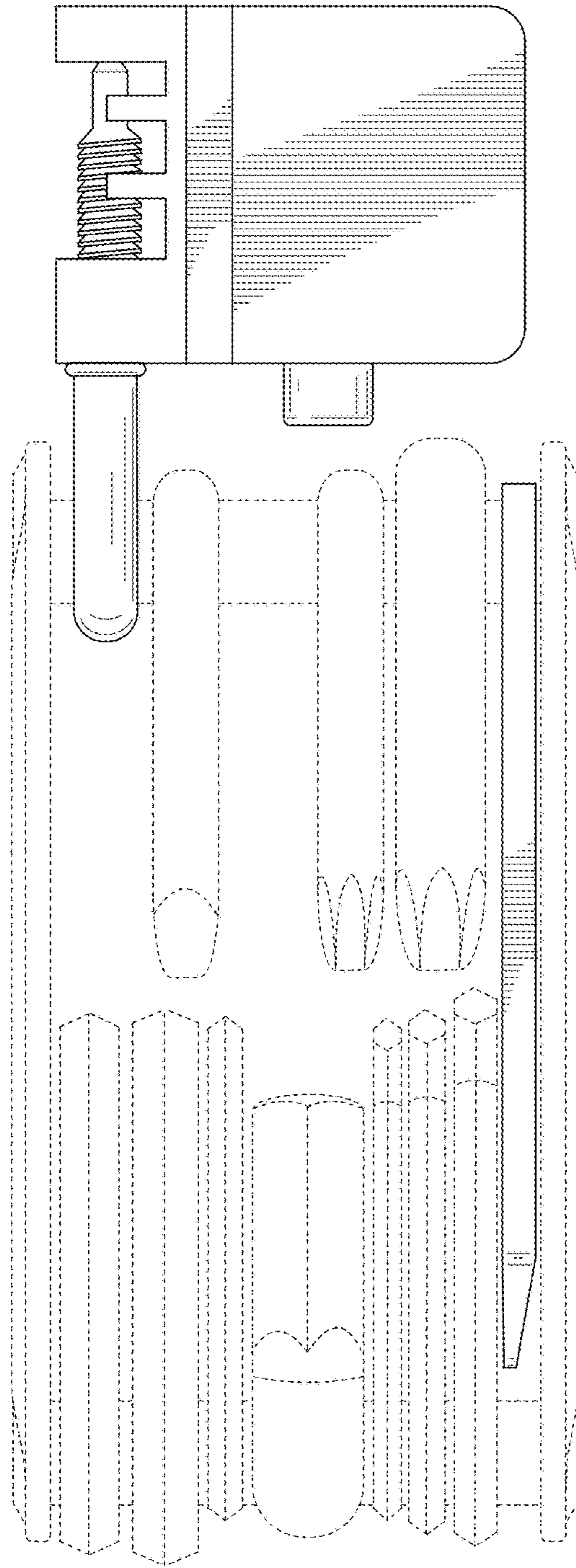


FIG. 10

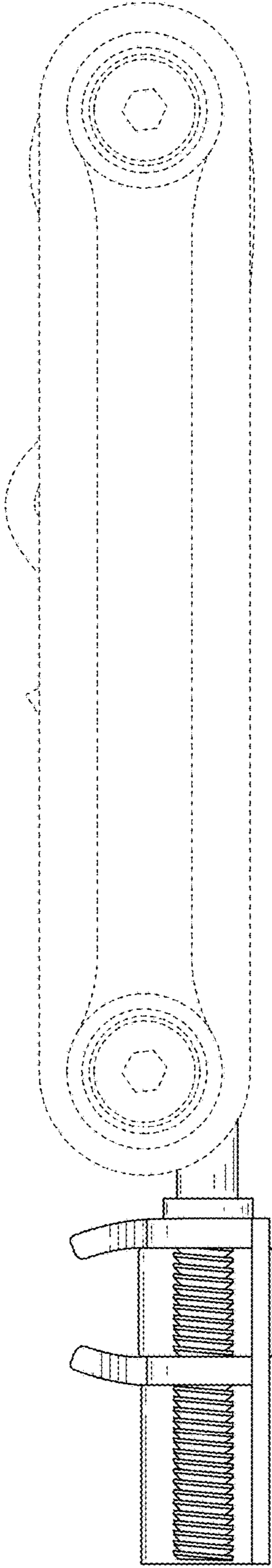


FIG. 11

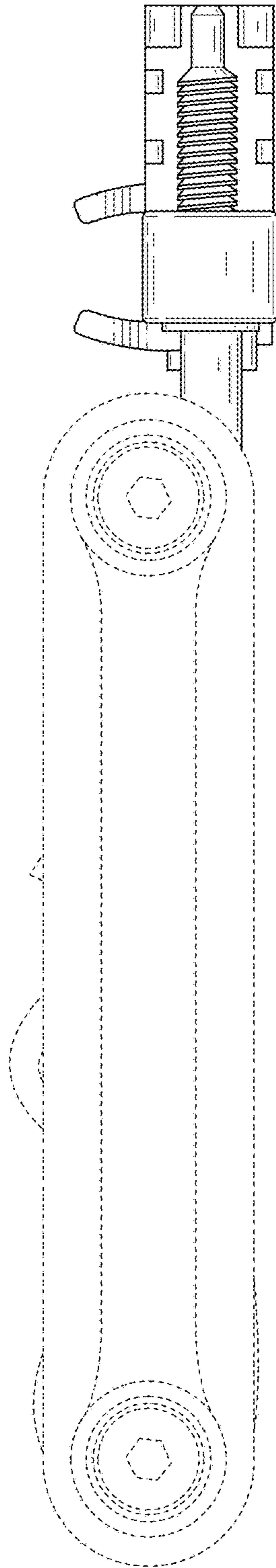


FIG. 12

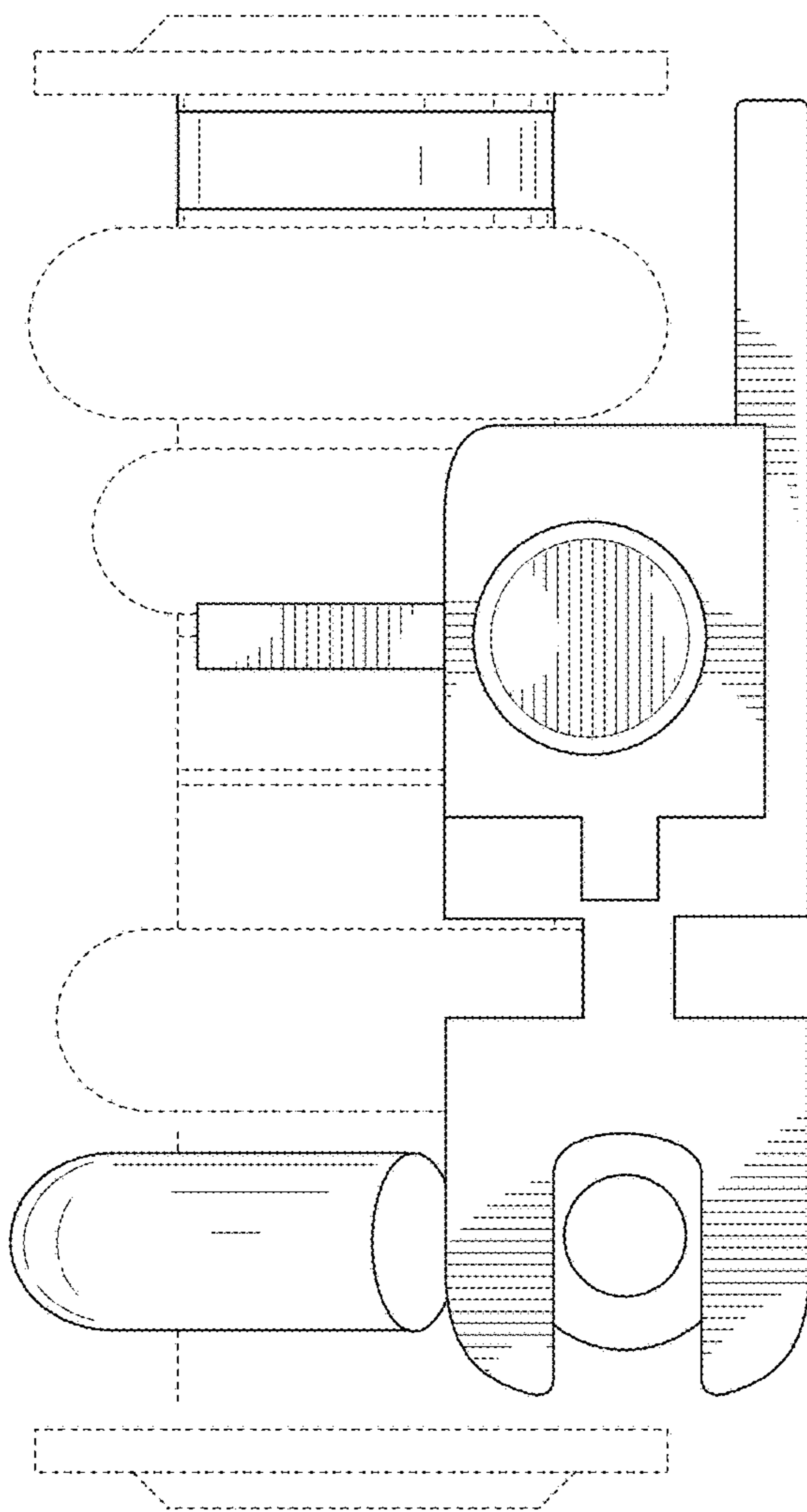


FIG. 13

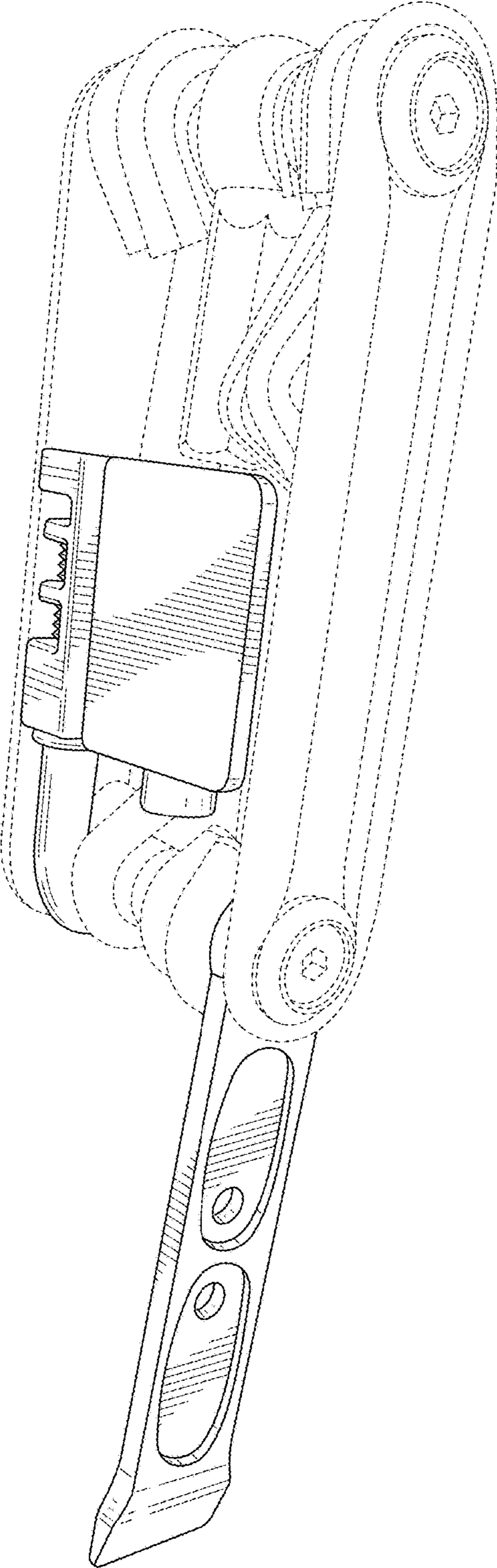


FIG. 14

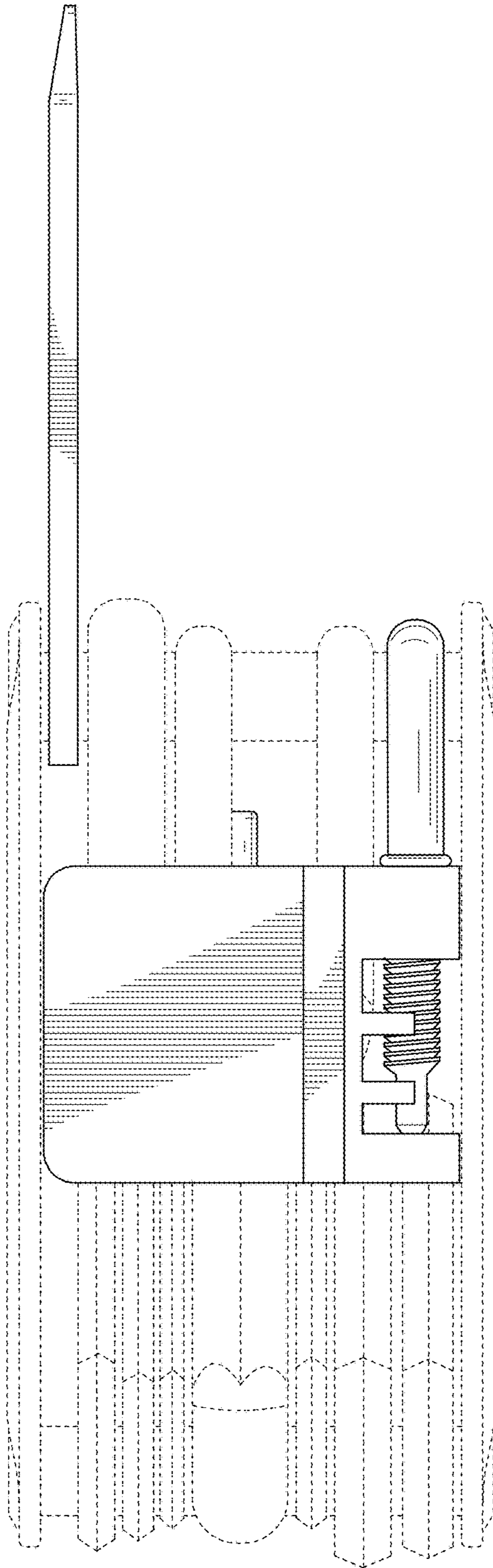


FIG. 15

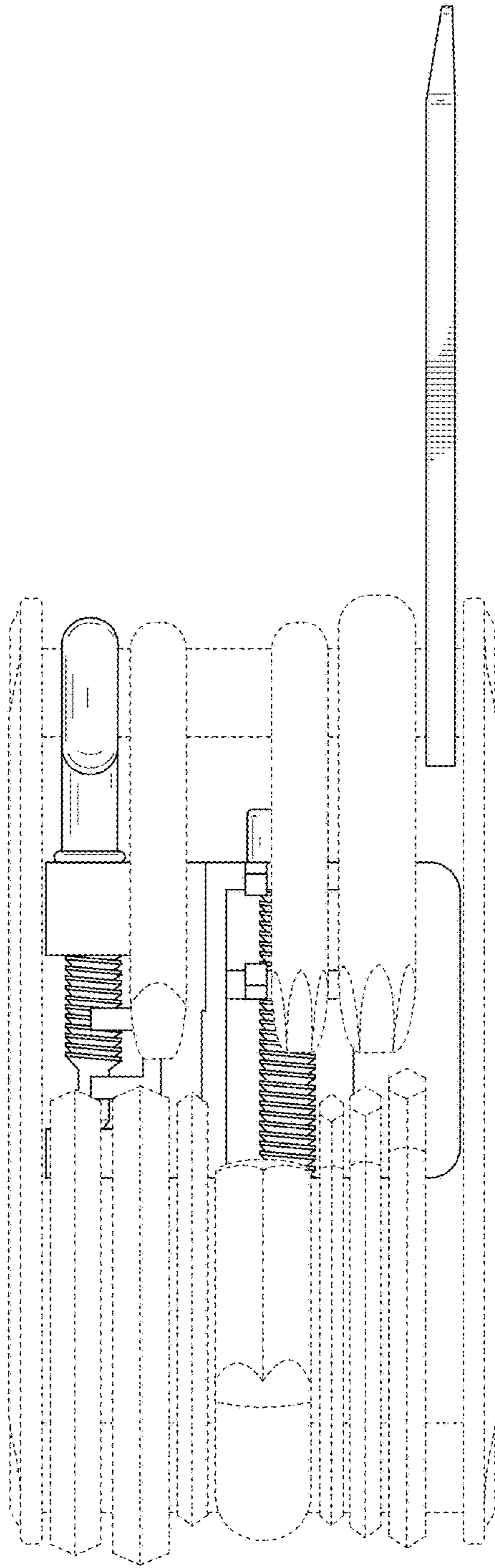


FIG. 16

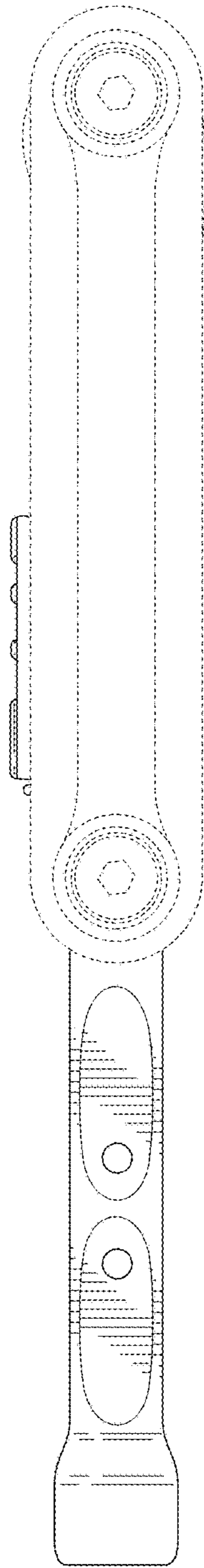


FIG. 17

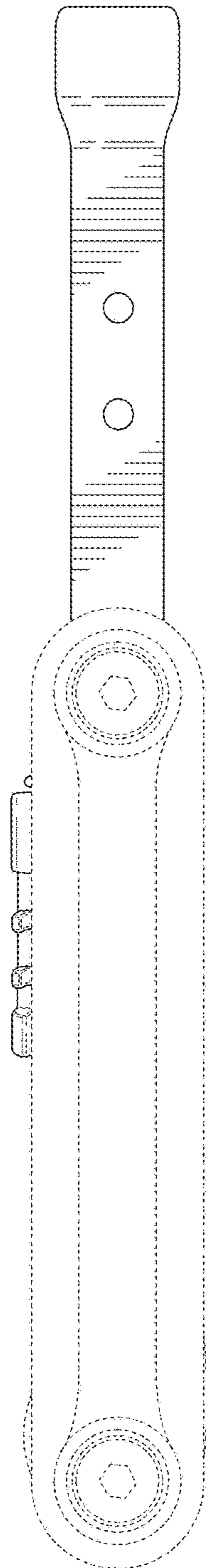


FIG. 18

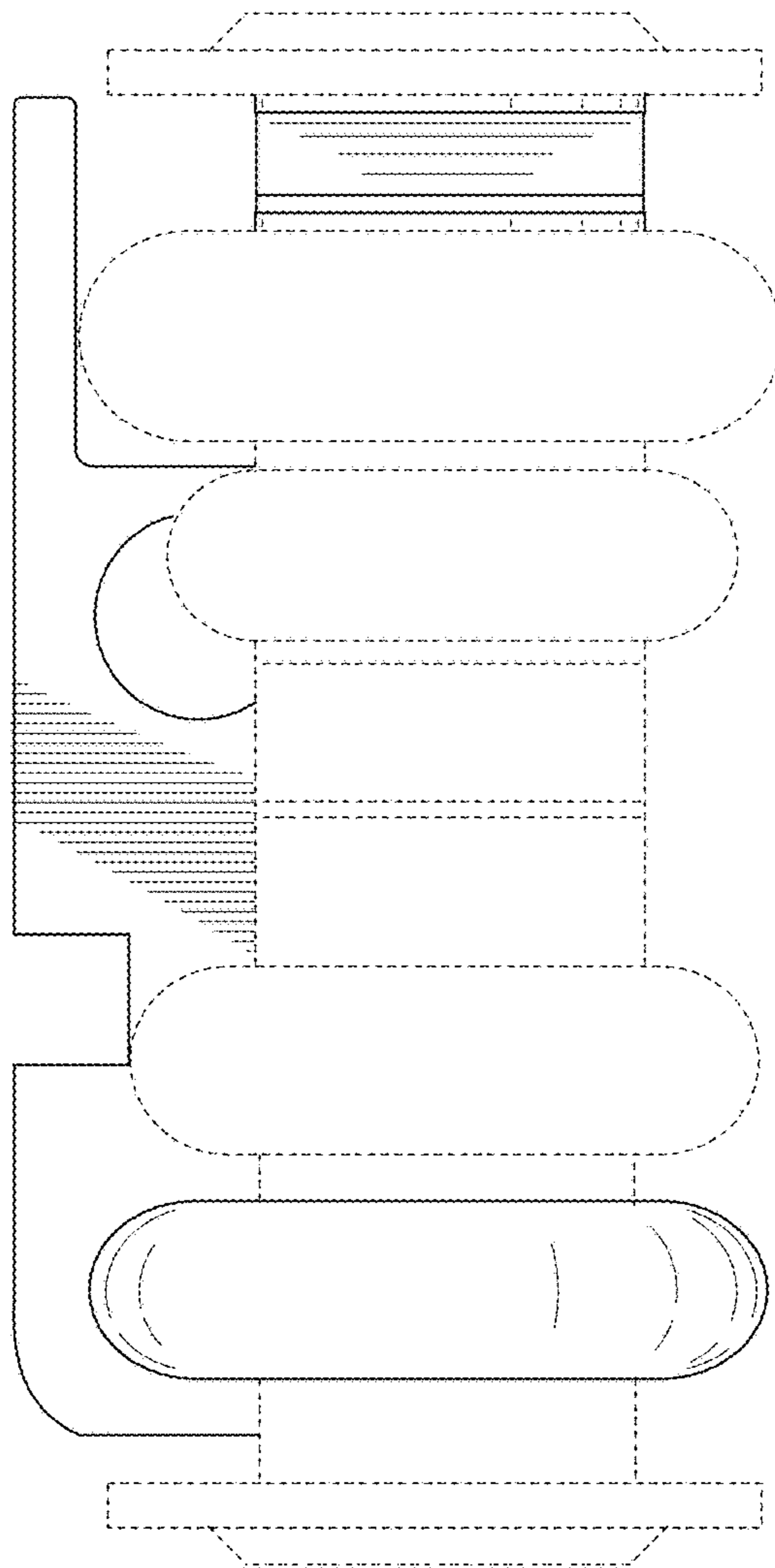


FIG. 19