



US00D865478S

(12) **United States Design Patent** (10) **Patent No.:** **US D865,478 S**  
**Marfione** (45) **Date of Patent:** **\*\* Nov. 5, 2019**

(54) **OPERATOR FOR A SWITCHBLADE**

(71) Applicant: **Microtech Knives**, Bradford, PA (US)

(72) Inventor: **Anthony Marfione**, Fletcher, SC (US)

(73) Assignee: **Microtech Knives**, Bradford, PA (US)

(\*\*) Term: **15 Years**

(21) Appl. No.: **29/640,230**

(22) Filed: **Mar. 13, 2018**

(51) **LOC (12) Cl.** ..... **08-03**

(52) **U.S. Cl.**  
USPC ..... **D8/99**

(58) **Field of Classification Search**  
USPC ..... D8/98, 99, 100, 105, 107; D22/118  
CPC .... B26B 1/00; B26B 1/02; B26B 1/04; B26B  
1/042; B26B 1/044; B26B 1/048; B26B  
1/08; B26B 1/10  
See application file for complete search history.

(56) **References Cited**

**U.S. PATENT DOCUMENTS**

D272,513 S	2/1984	Kagebayashi	
D276,887 S	12/1984	Sakurai	
D280,287 S	8/1985	Collins	
D377,744 S	2/1997	Hasegawa	
D391,464 S	3/1998	Barre et al.	
D398,829 S *	9/1998	Okada	D8/99
5,819,414 A *	10/1998	Marfione	B26B 1/046 30/160
D438,085 S	2/2001	Onion	
D450,228 S	11/2001	Onion	
D453,673 S *	2/2002	Chen	B26B 5/002 D8/99
D455,062 S	4/2002	Onion	
D474,669 S	5/2003	Onion	
D488,045 S	4/2004	Onion	
D510,514 S *	10/2005	Ray	D8/99

D511,448 S *	11/2005	Chen	D8/99
D529,363 S	10/2006	Freer et al.	
D554,964 S	11/2007	Taylor	
D561,554 S	2/2008	Taylor	
D569,212 S	5/2008	Hawk et al.	
D569,213 S	5/2008	Renzi et al.	
D570,180 S	6/2008	Onion	
D572,562 S	7/2008	Hawk	
D578,857 S	10/2008	Yang-Fu	
D586,198 S	2/2009	MacNair et al.	
D613,574 S	4/2010	Pohl	
D634,174 S	3/2011	Ryan et al.	
D653,520 S	2/2012	Chang	
D656,381 S *	3/2012	Watanabe	D8/99
D677,551 S	3/2013	Pelton	
D743,769 S	11/2015	Glesser	
D747,946 S	1/2016	Carey	
D751,412 S	3/2016	Gang et al.	
D753,459 S	4/2016	Glesser	

(Continued)

*Primary Examiner* — Philip S Hyder

(74) *Attorney, Agent, or Firm* — Steve LeBlanc, LLC

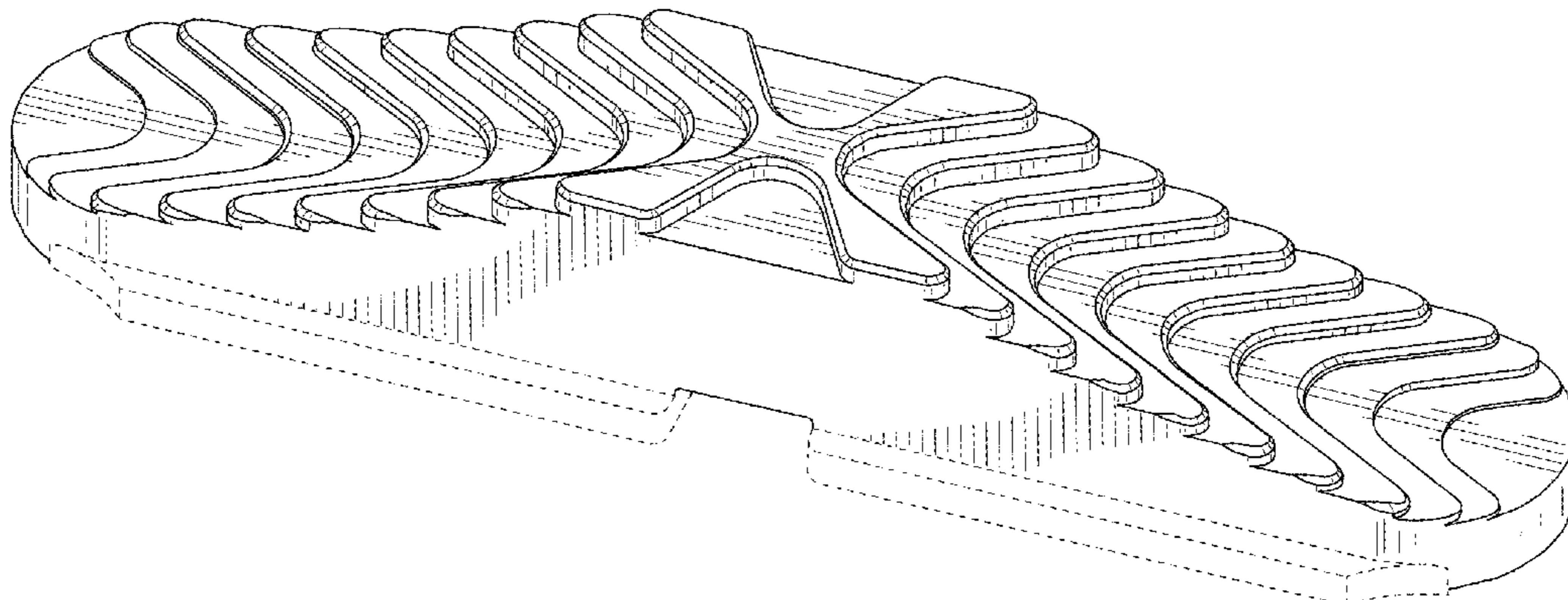
(57) **CLAIM**

The ornamental design for an operator for a switchblade, as shown and described.

**DESCRIPTION**

FIG. 1 is a perspective view of the operator;  
FIG. 2 is a front view of the operator;  
FIG. 3 is a rear view of the operator;  
FIG. 4 is a left side view of the operator;  
FIG. 5 is a right side view of the operator;  
FIG. 6 is a top view of the operator;  
FIG. 7 is a side view of the operator in the context of a switchblade; and,  
FIG. 8 is a perspective view of the operator in the context of a switchblade.  
The dotted lines shown in FIGS. 1-8 are environmental only and form no part of the claimed design.

**1 Claim, 6 Drawing Sheets**



(56)

**References Cited**

U.S. PATENT DOCUMENTS

D756,192	S	5/2016	Horvath	
D761,074	S	7/2016	Mihailides et al.	
D763,653	S *	8/2016	Horovitz .....	D8/99
D766,061	S	9/2016	Barr	
D787,293	S	5/2017	Prince et al.	
D795,039	S	8/2017	Squiers et al.	
D796,932	S *	9/2017	Sung .....	D8/99
D801,775	S	11/2017	Tsujimoto et al.	
D807,723	S	1/2018	Constantine et al.	
D808,494	S	1/2018	Marfione et al.	
D811,191	S	2/2018	Berenji et al.	
D856,775	S *	8/2019	Marfione .....	D8/99
2007/0175045	A1 *	8/2007	McHenry .....	B26B 1/08 30/162
2008/0222895	A1 *	9/2008	Marfione .....	B26B 1/10 30/151
2008/0222897	A1 *	9/2008	Marfione .....	B26B 1/08 30/162
2009/0235534	A1 *	9/2009	Chu .....	B26B 1/08 30/162
2013/0081281	A1 *	4/2013	Chu .....	B26B 1/08 30/162
2014/0173911	A1 *	6/2014	Chu .....	B26B 1/08 30/162
2016/0052151	A1 *	2/2016	Chu .....	B26B 1/04 30/161

\* cited by examiner

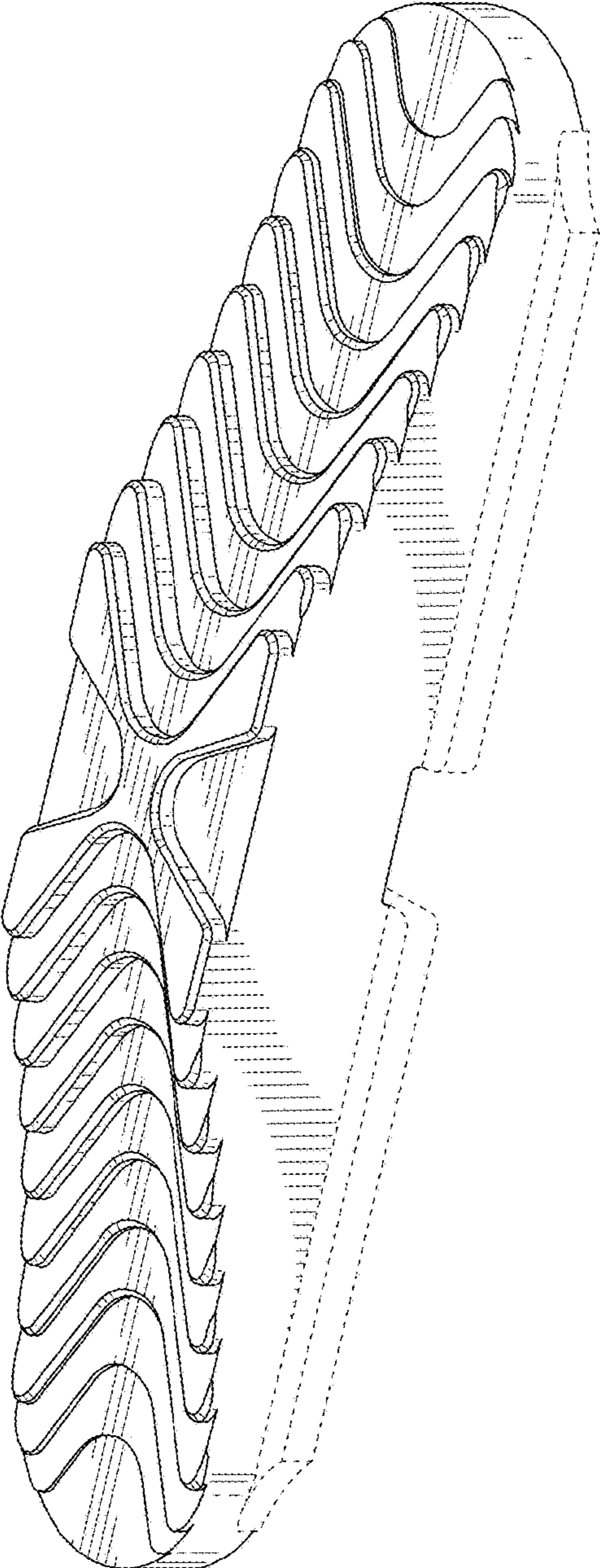


FIG. 1

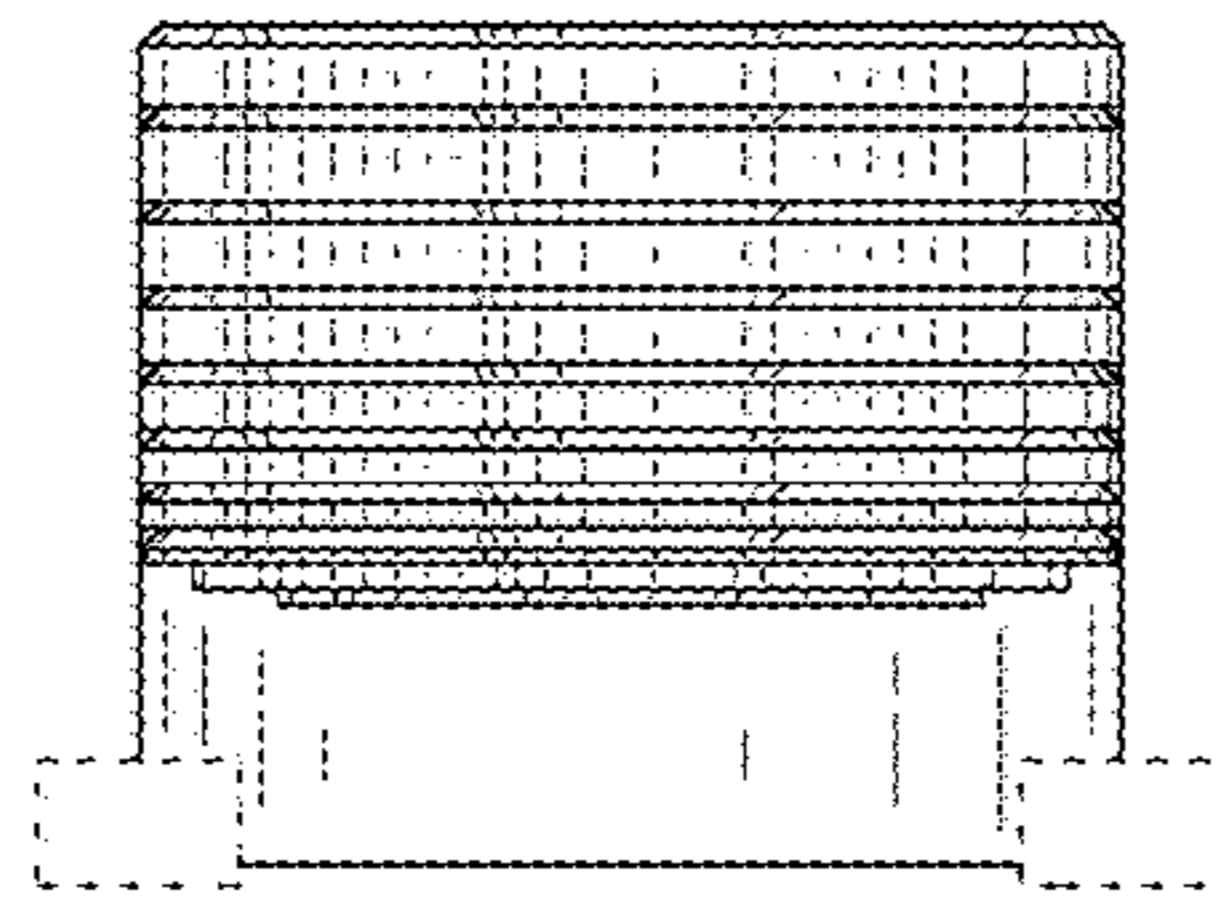


FIG. 2

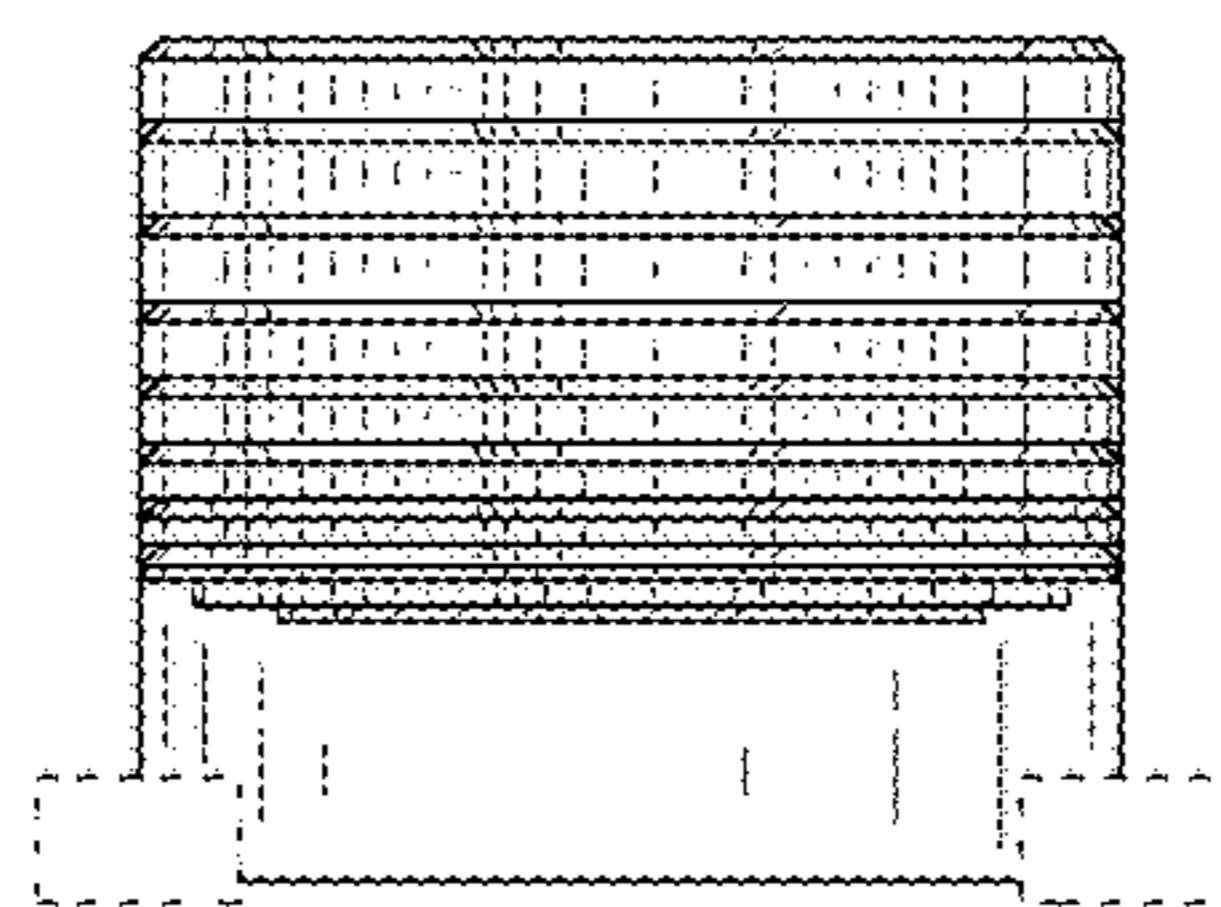


FIG. 3

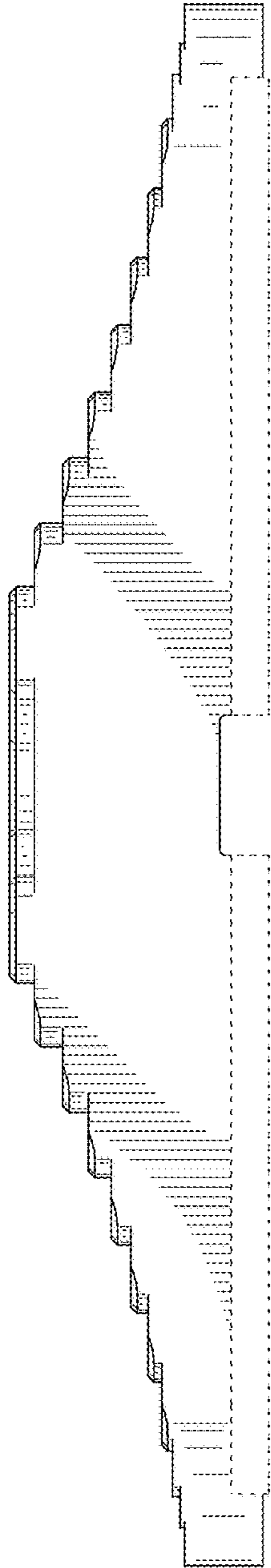


FIG. 4

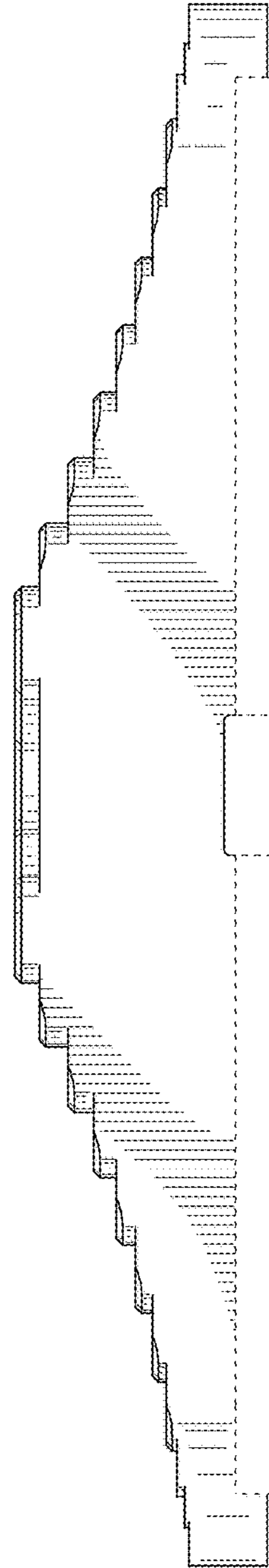


FIG. 5

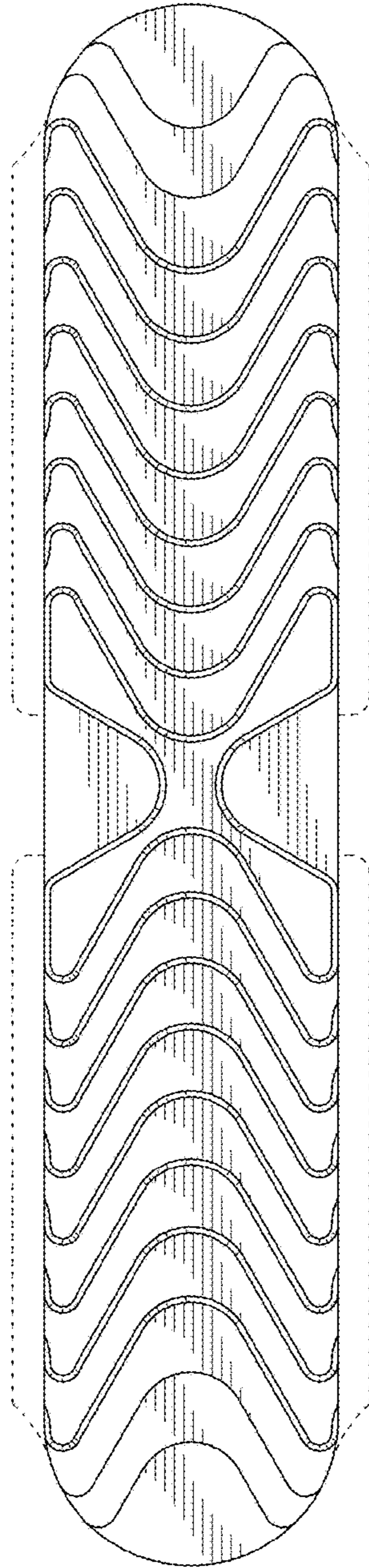


FIG. 6

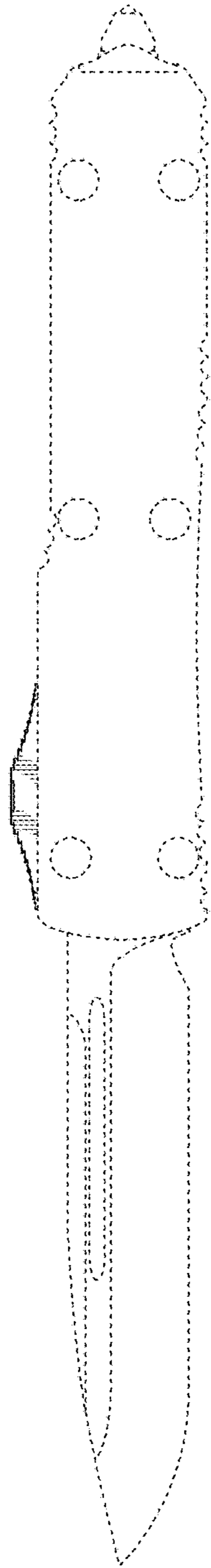


FIG. 7

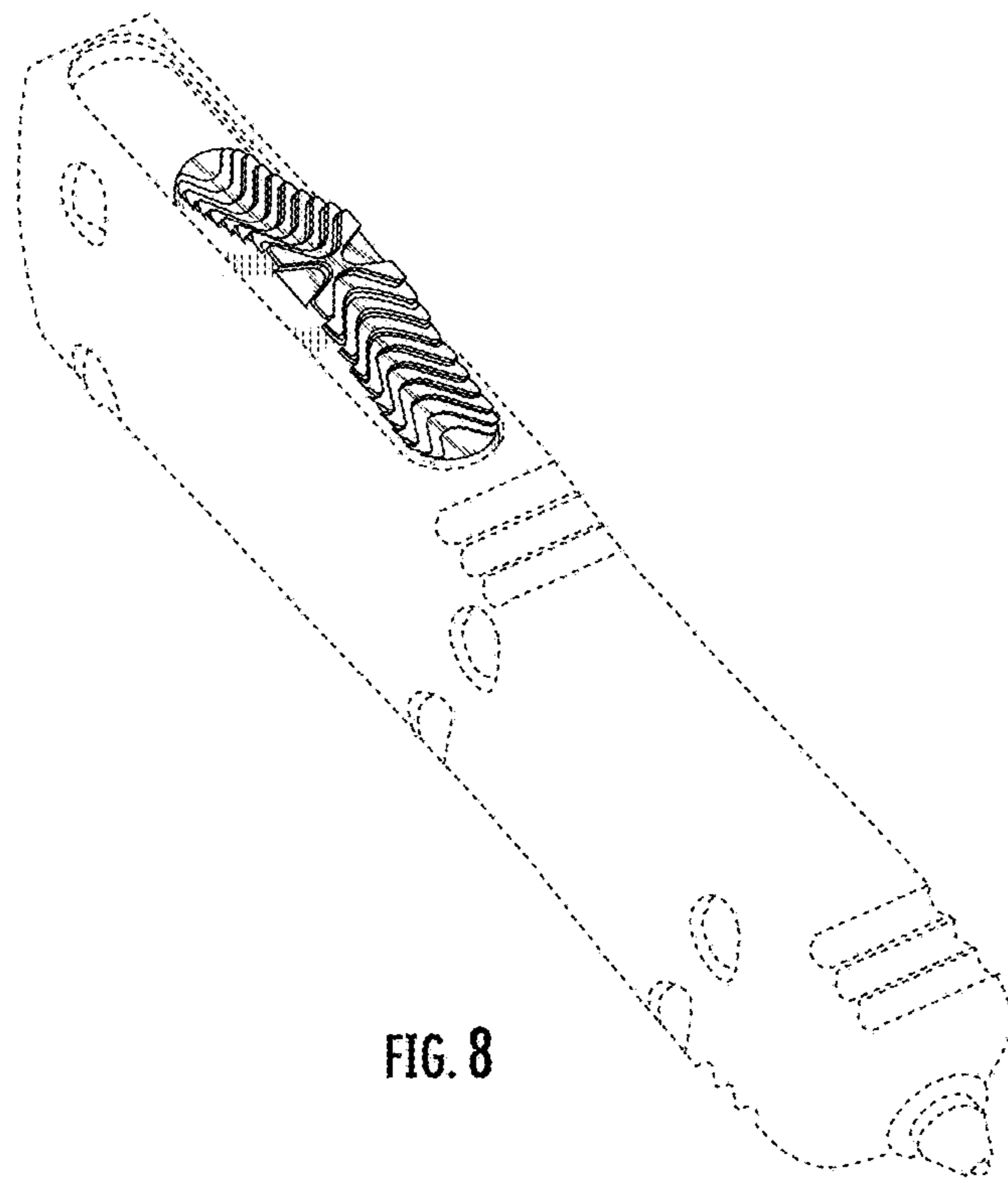


FIG. 8