



US00D865477S

(12) **United States Design Patent** (10) **Patent No.:** **US D865,477 S**  
**Lipscomb et al.** (45) **Date of Patent:** **\*\* Nov. 5, 2019**

(54) **SCREWDRIVER** D532,277 S \* 11/2006 Shih ..... D8/107  
7,281,455 B2 \* 10/2007 Hu ..... B25G 1/085  
81/177.4  
(71) Applicant: **Fiskars Finland Oy Ab**, Helsinki (FI) D572,105 S \* 7/2008 Brockman ..... D8/83  
D677,142 S \* 3/2013 Shih ..... D8/107  
(72) Inventors: **Daniel Lipscomb**, Prairie Du Sac, WI 9,284,466 B2 \* 3/2016 Konda ..... C09D 11/40  
(US); **Nicholas Vallo**, Madison, WI D797,539 S \* 9/2017 Lipscomb ..... D8/99  
(US); **Rachel Belter**, Madison, WI (US) D819,417 S \* 6/2018 Graykowski ..... D8/47  
D845,102 S \* 4/2019 Hofer ..... D8/85  
(73) Assignee: **Fiskars Finland Oy Ab**, Helsinki (FI) 2017/0100832 A1 \* 4/2017 Snook ..... B25F 3/00  
2018/0333835 A1 \* 11/2018 Hyma ..... B25B 15/02

(\*\*) Term: **15 Years**

\* cited by examiner

(21) Appl. No.: **29/646,202**

*Primary Examiner* — Philip S Hyder

(22) Filed: **May 2, 2018**

(74) *Attorney, Agent, or Firm* — Leason Ellis LLP

(51) **LOC (12) Cl.** ..... **08-04**

(57) **CLAIM**

(52) **U.S. Cl.**

We claim the ornamental design for a screwdriver, as shown.

USPC ..... **D8/82**

(58) **Field of Classification Search**

**DESCRIPTION**

USPC ..... D8/82, 83, 84, 85, 86, 87, 105, 107, 300  
CPC ..... B25G 1/08; B25G 1/085; B25B 15/00;  
B25B 15/02; B25B 15/04; B25B 15/06  
See application file for complete search history.

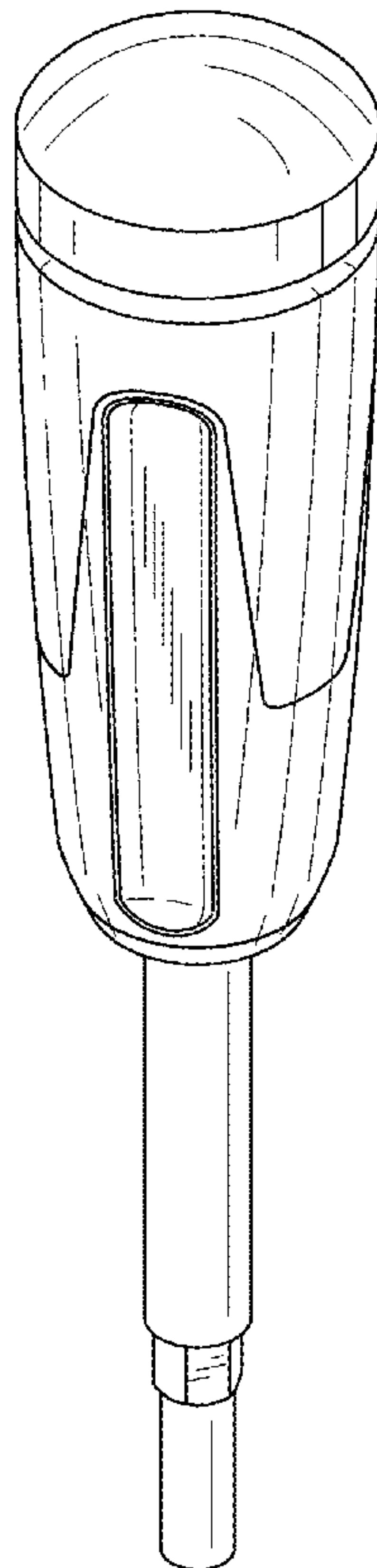
FIG. 1 is a top perspective view of an embodiment of the claimed design;  
FIG. 2 is a front elevation view thereof;  
FIG. 3 is a left side elevation view thereof;  
FIG. 4 is a right side elevation view thereof;  
FIG. 5 is a top plan view thereof;  
FIG. 6 is a bottom plan view thereof; and,  
FIG. 7 is a rear elevation view thereof.

(56) **References Cited**

**1 Claim, 3 Drawing Sheets**

U.S. PATENT DOCUMENTS

4,768,406 A \* 9/1988 Fitzwater ..... B25B 23/16  
74/551.9  
D442,050 S \* 5/2001 Hung ..... D8/107



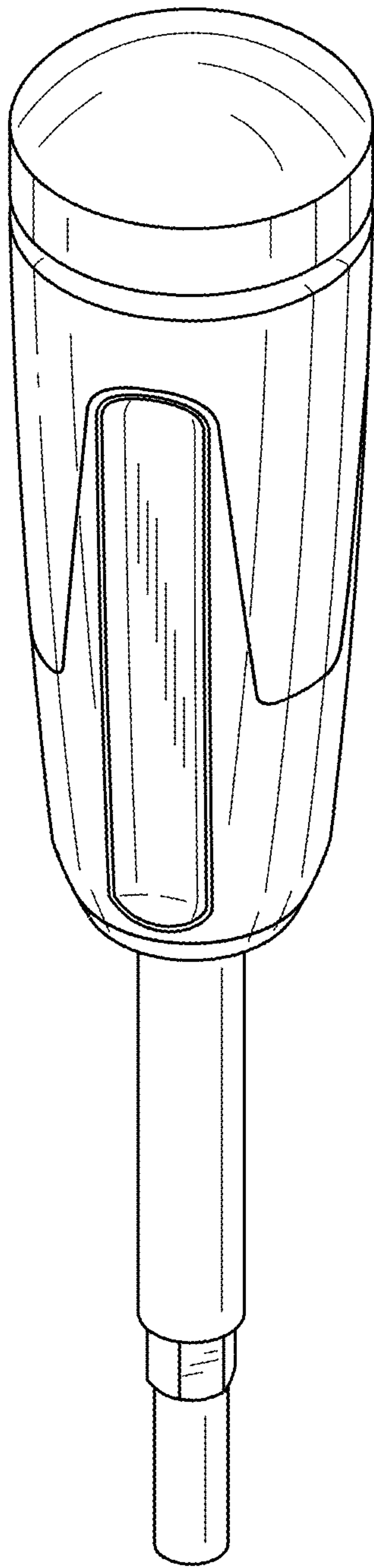


FIG. 1

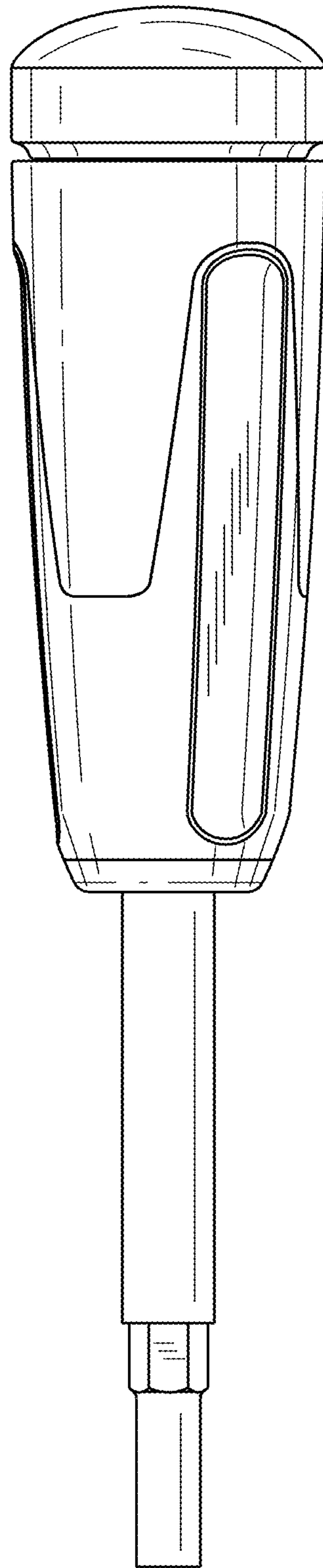


FIG. 2

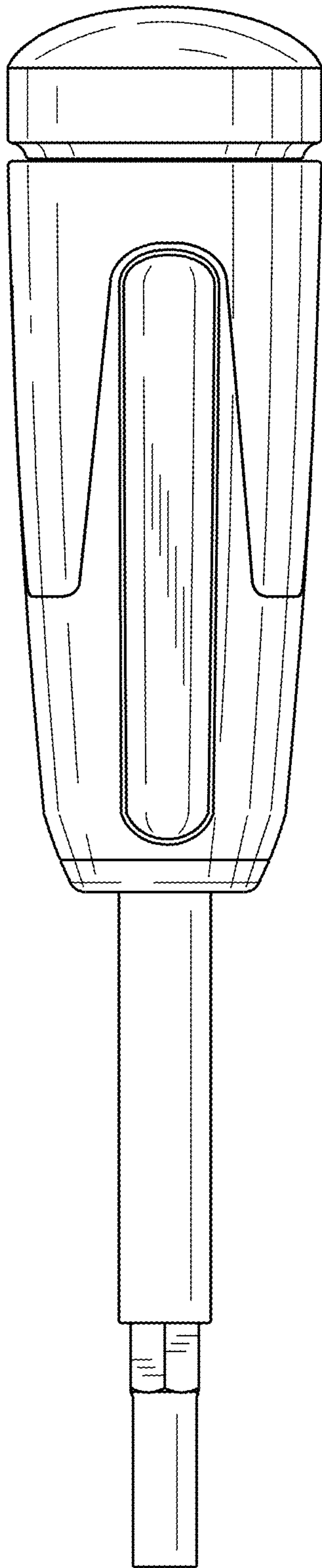


FIG. 3

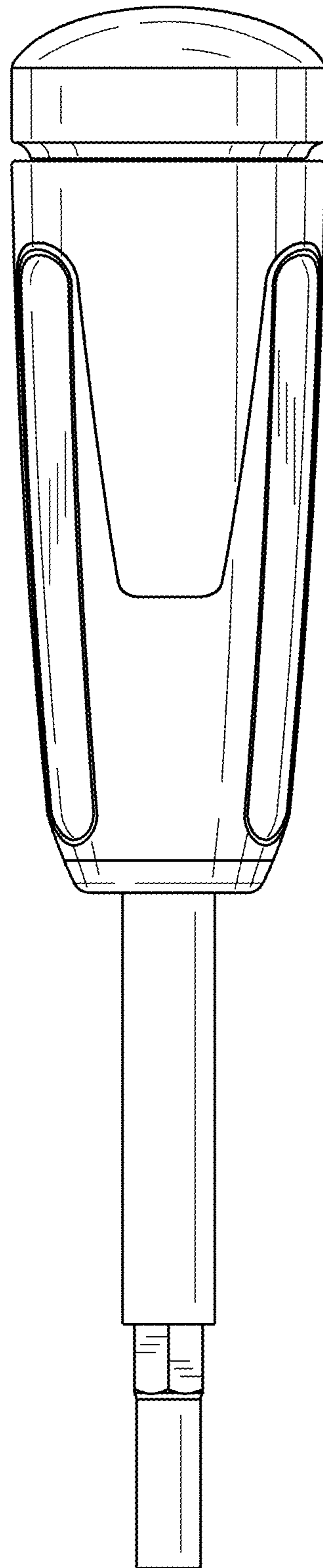


FIG. 4

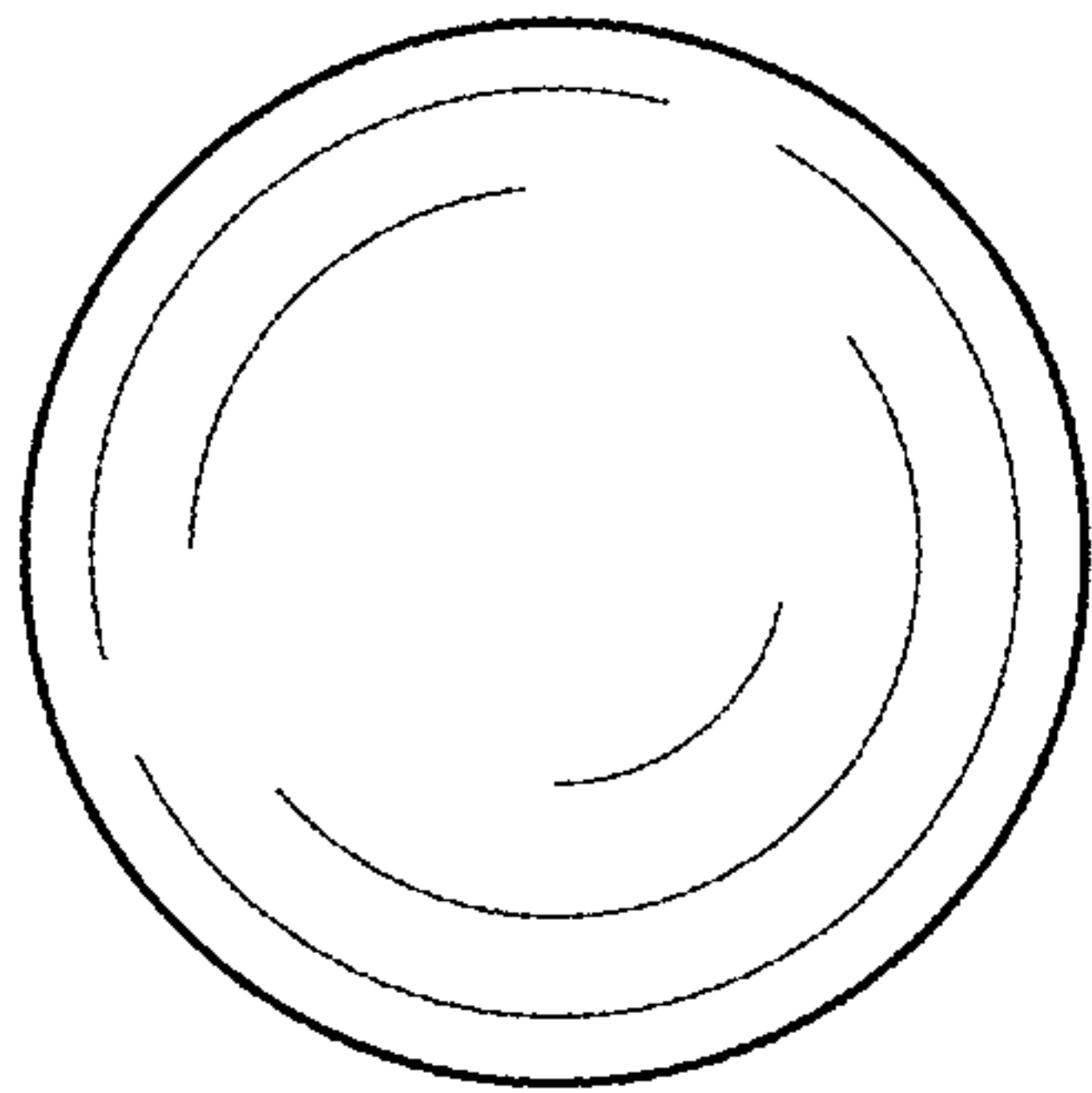


FIG. 5

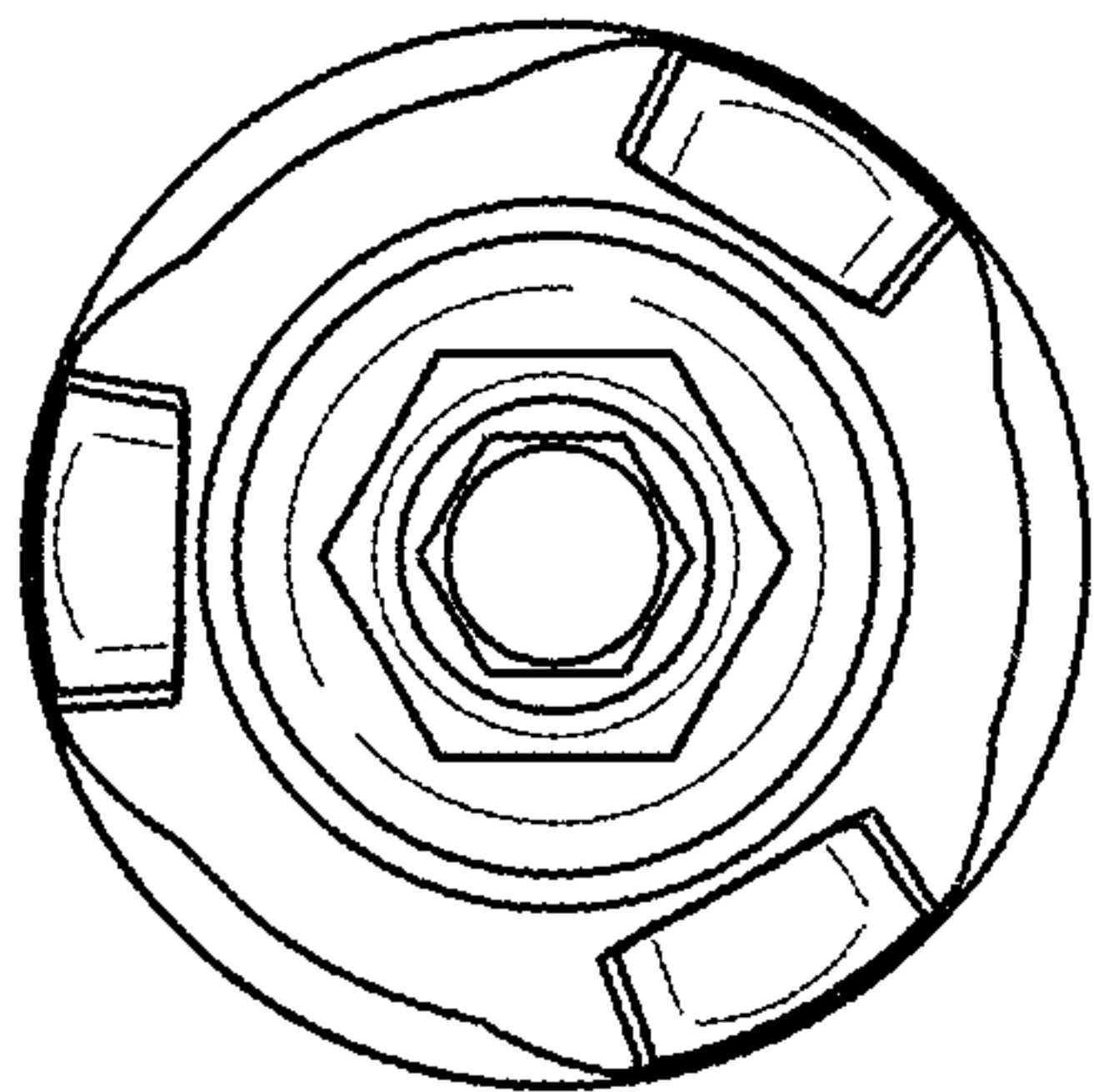


FIG. 6

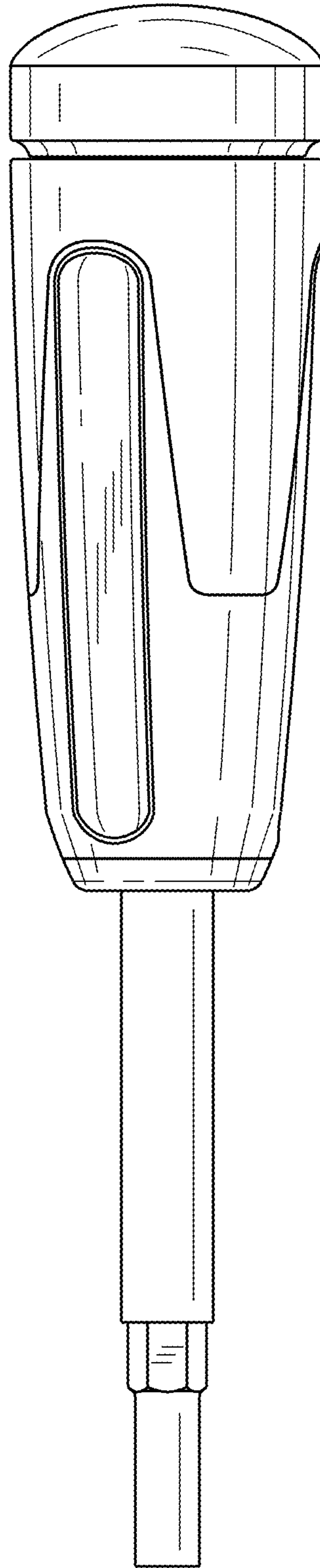


FIG. 7