



US00D865476S

(12) **United States Design Patent**  
**Taylor**

(10) **Patent No.:** **US D865,476 S**

(45) **Date of Patent:** **\*\* Nov. 5, 2019**

- (54) **AXE HEAD**
- (71) Applicant: **FIBERGLASS INNOVATIONS, L.L.C.**, Rockford, IL (US)
- (72) Inventor: **Robert L. Taylor**, Poplar Grove, IL (US)
- (73) Assignee: **FIBERGLASS INNOVATIONS, L.L.C.**, Rockford, IL (US)
- (\*\*) Term: **15 Years**
- (21) Appl. No.: **29/646,037**
- (22) Filed: **May 1, 2018**
- (51) **LOC (12) Cl.** ..... **08-02**
- (52) **U.S. Cl.**  
USPC ..... **D8/76**
- (58) **Field of Classification Search**  
USPC ..... D8/75, 76, 77, 78, 79, 80, 81  
CPC ..... A01B 1/10; A01B 1/227; A01G 23/099;  
B25D 1/00; B25D 1/045; B25D 1/06;  
B25G 1/01; B25G 1/10; B25G 1/08;  
B25G 3/28; B25G 3/34  
See application file for complete search history.

D519,813 S *	5/2006	Hung	.....	D8/76
D565,510 S *	4/2008	Ma	.....	D13/147
D594,727 S *	6/2009	Fortier	.....	D8/76
D607,295 S *	1/2010	Knight	.....	D8/76
D608,615 S *	1/2010	Knight	.....	D8/76
D622,122 S *	8/2010	Branby	.....	D8/76
D774,374 S *	12/2016	Klingman	.....	D8/76
D784,783 S *	4/2017	Chen	.....	D8/76
D818,337 S *	5/2018	Nelson	.....	D8/76
D819,421 S *	6/2018	Huner	.....	D8/76

\* cited by examiner

*Primary Examiner* — Phillip S Hyder  
(74) *Attorney, Agent, or Firm* — Stoll Keenon Ogden PLLC; Rebecca Ann Krefft

(57) **CLAIM**

The ornamental design for an axe head, as shown and described.

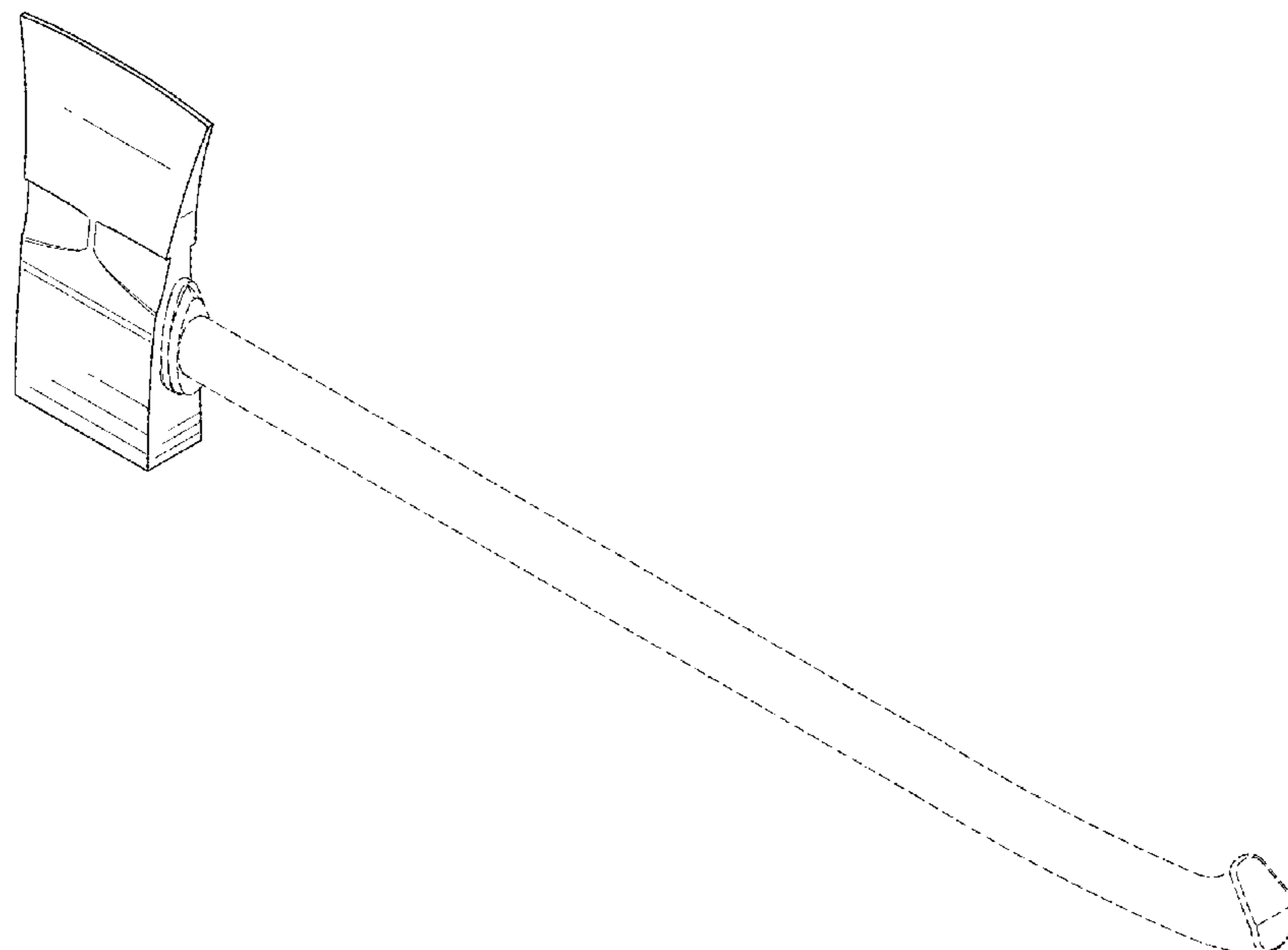
**DESCRIPTION**

FIG. 1 is a front perspective view of an axe head showing my new design;  
 FIG. 2 is right side elevation view thereof;  
 FIG. 3 is left side elevation view thereof;  
 FIG. 4 is a front elevation view thereof;  
 FIG. 5 is a rear elevation view thereof;  
 FIG. 6 is a top plan view thereof;  
 FIG. 7 is a bottom plan view thereof; and,  
 FIG. 8 is a front perspective view, showing the claimed design in use.

The broken line showings of an axe handle in FIGS. 1-8 and halligans in FIG. 8 are for the purpose of illustrating the environment in which the design is associated and form no part of the claimed design.

**1 Claim, 6 Drawing Sheets**

- (56) **References Cited**  
U.S. PATENT DOCUMENTS  
D243,314 S \* 2/1977 Hedvall ..... D8/76  
4,412,572 A \* 11/1983 Clark ..... B26B 23/00  
30/308.1  
5,141,353 A \* 8/1992 Meredith, Jr. .... B25G 1/10  
294/57  
D378,656 S \* 4/1997 Maine ..... D8/76



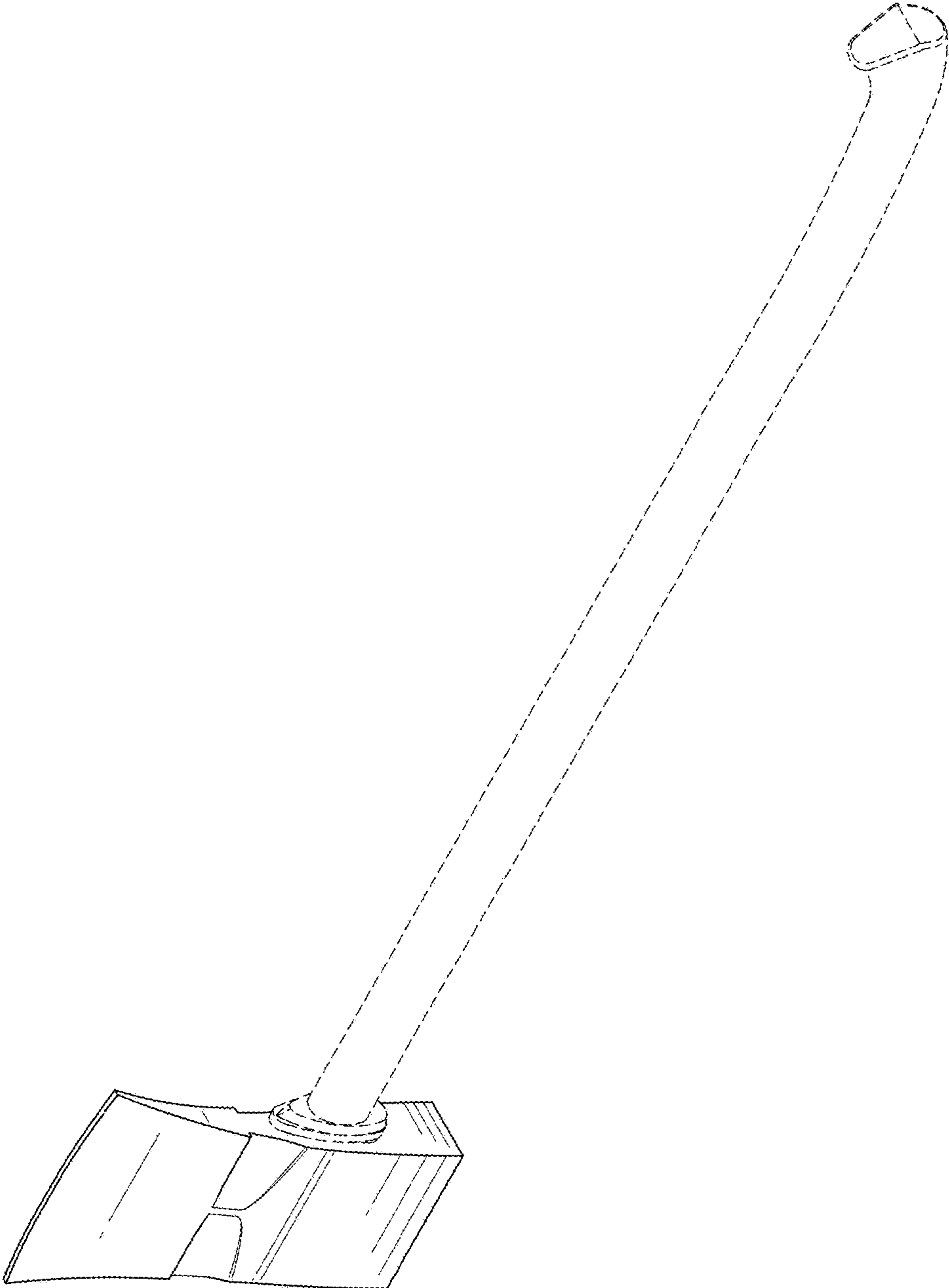


FIG. 1

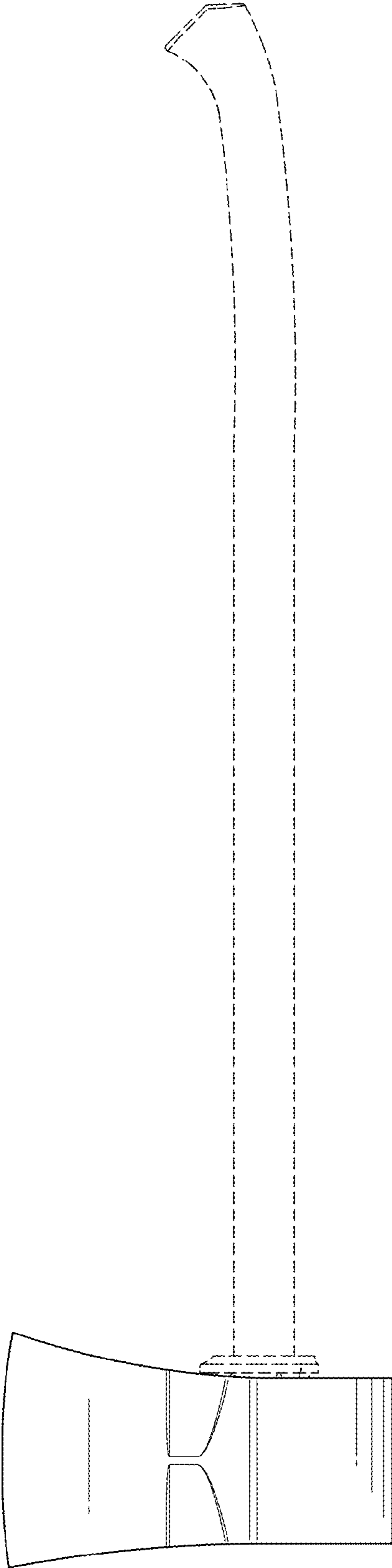


FIG. 2

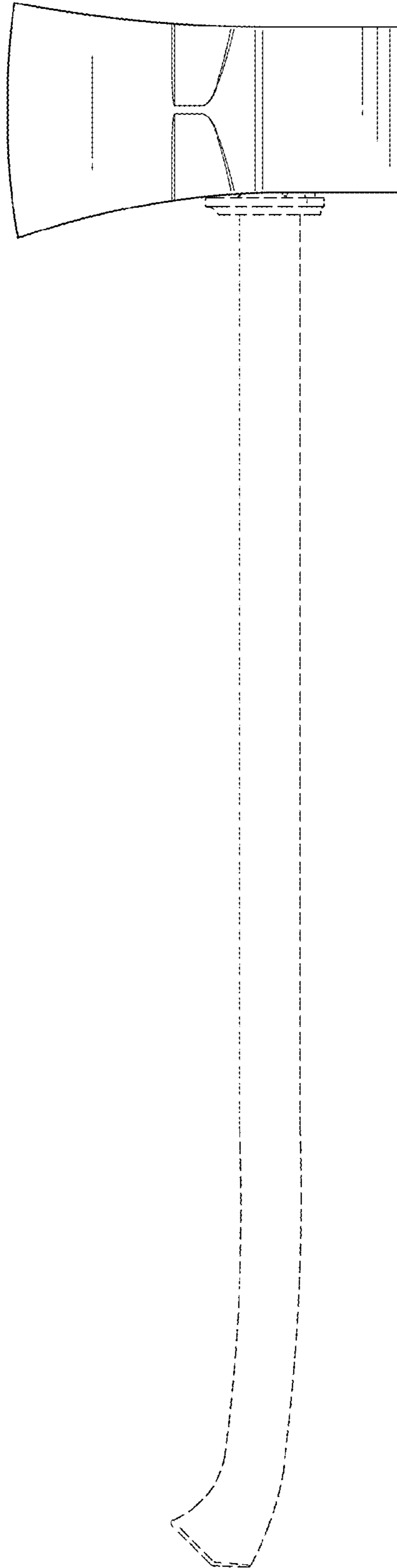


FIG. 3

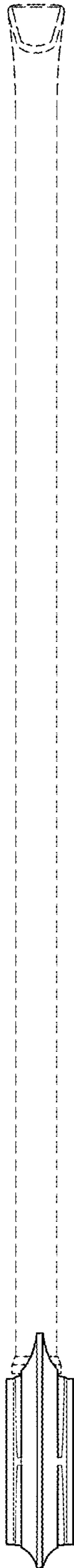


FIG. 4

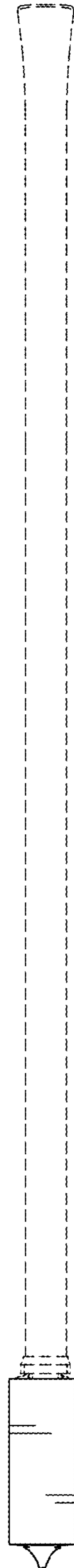


FIG. 5

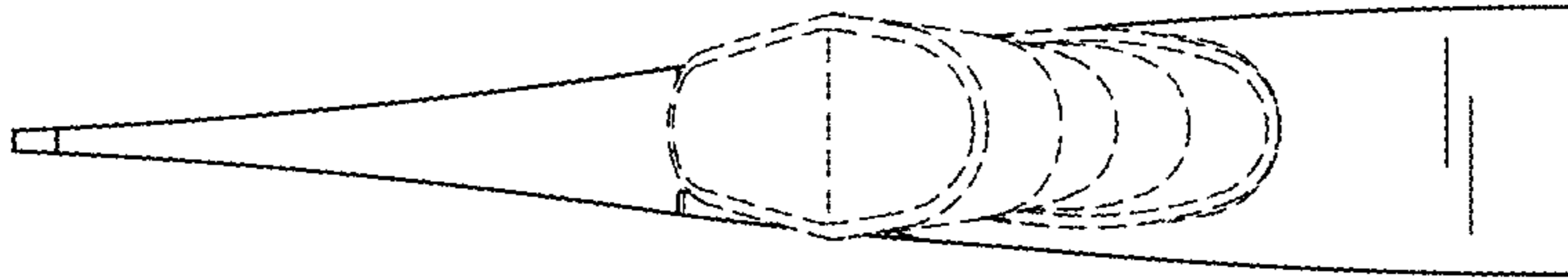


FIG. 6

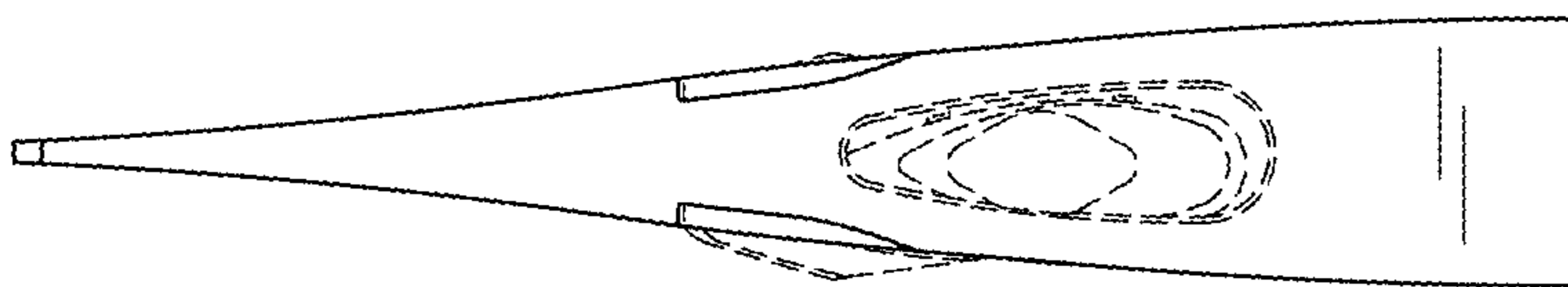


FIG. 7

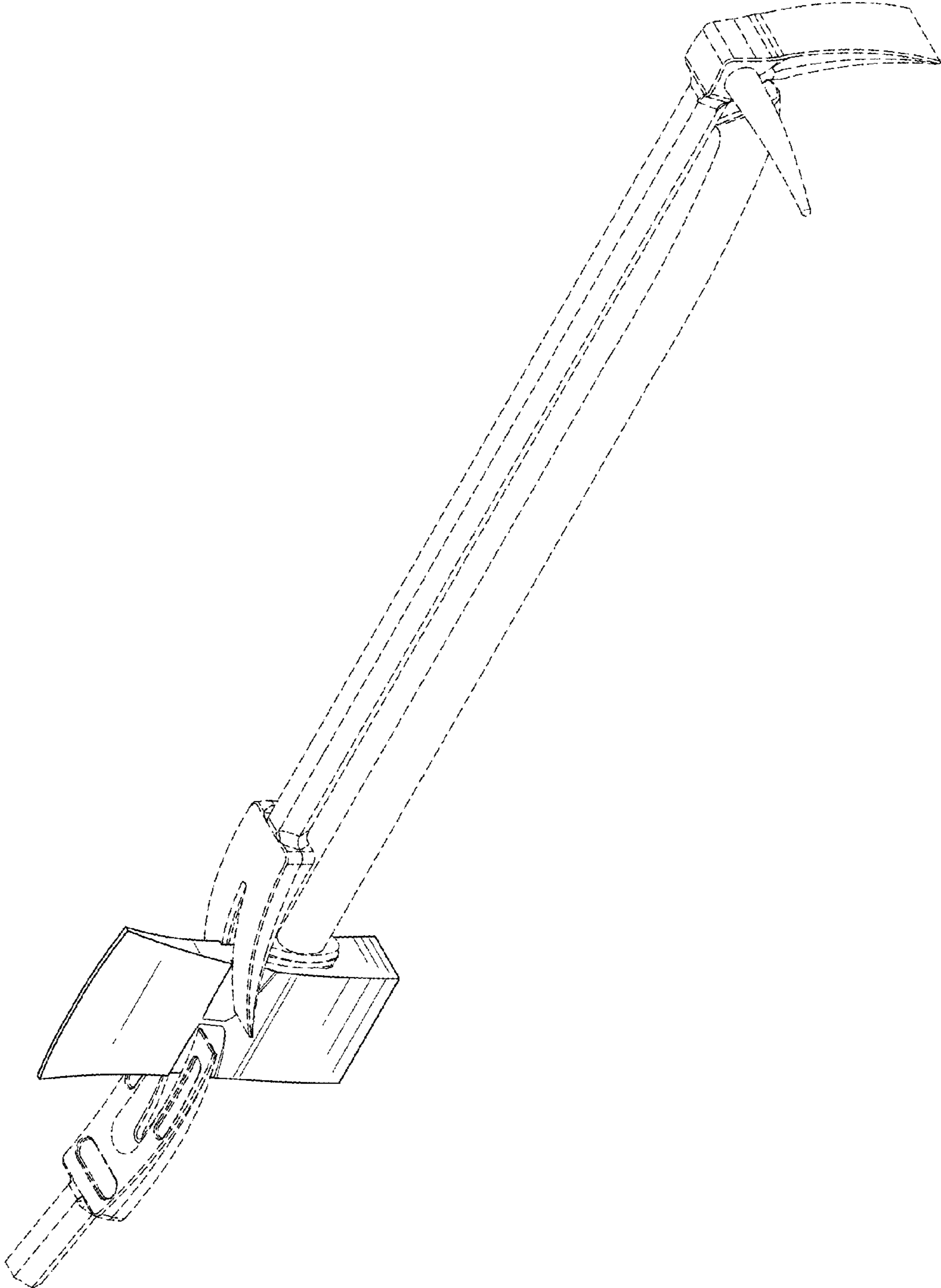


FIG. 8