



US00D865475S

(12) **United States Design Patent** (10) **Patent No.:** **US D865,475 S**  
**Cross** (45) **Date of Patent:** **\*\* Nov. 5, 2019**

(54) **CLAMP RACK**

(74) *Attorney, Agent, or Firm* — Sand, Sebolt & Wernow Co., LPA

(71) Applicant: **Woodpeckers, LLC**, Strongsville, OH (US)

(72) Inventor: **Steven Charles Cross**, Mentor, OH (US)

(57) **CLAIM**

(73) Assignee: **Woodpeckers, LLC**, Strongsville, OH (US)

The ornamental design for a clamp rack, as shown and described.

(\*\*) Term: **15 Years**

(21) Appl. No.: **29/694,907**

(22) Filed: **Jun. 14, 2019**

**DESCRIPTION**

**Related U.S. Application Data**

(63) Continuation-in-part of application No. 29/653,975, filed on Jun. 20, 2018, and a continuation-in-part of application No. 29/653,982, filed on Jun. 20, 2018.

(51) **LOC (12) Cl.** ..... **08-05**

(52) **U.S. Cl.**  
USPC ..... **D8/71**

(58) **Field of Classification Search**  
USPC .... D15/78, 138–140, 125, 126, 133; D8/71, D8/72, 74  
CPC .. B25B 5/085; B25B 5/14; B25B 5/16; B25B 5/163; B25B 5/166  
See application file for complete search history.

(56) **References Cited**

**U.S. PATENT DOCUMENTS**

- 5,832,977 A \* 11/1998 Hampton ..... B23Q 9/0014 144/144.51
- D559,287 S \* 1/2008 McDaniel ..... D15/140
- D560,235 S \* 1/2008 McDaniel ..... D15/140
- D569,882 S \* 5/2008 McDaniel ..... D15/140
- D571,836 S \* 6/2008 McDaniel ..... D15/140
- D730,142 S \* 5/2015 Shapiro ..... D8/72

(Continued)

*Primary Examiner* — Keli L Hill

*Assistant Examiner* — Harold E Blackwell, II

FIG. 1 is an isometric perspective view of a clamp rack in accordance with my design showing a first plate and a second plate of the clamp rack in an exemplary first assembled configuration;

FIG. 2 is an isometric perspective of the clamp rack in accordance with my design showing the first plate and the second plate of the clamp rack in an exemplary second assembled configuration;

FIG. 3 is a front, top, right end, isometric perspective view of the first plate of the clamp rack shown in FIG. 1 and in FIG. 2;

FIG. 4 is a front elevation view of the first plate;

FIG. 5 is a rear elevation view of the first plate

FIG. 6 is a top plan view of the first plate;

FIG. 7 is a bottom plan view of the first plate;

FIG. 8 is a left end elevation view of the first plate; and

FIG. 9 is a right end elevation view of the first plate;

FIG. 10 is a front, top, right end, isometric perspective view of the second plate of the clamp rack shown in FIG. 1 and in FIG. 2;

FIG. 11 is a front elevation of the second plate;

FIG. 12 is a rear elevation view of the second plate;

FIG. 13 is a top plan view of the second plate

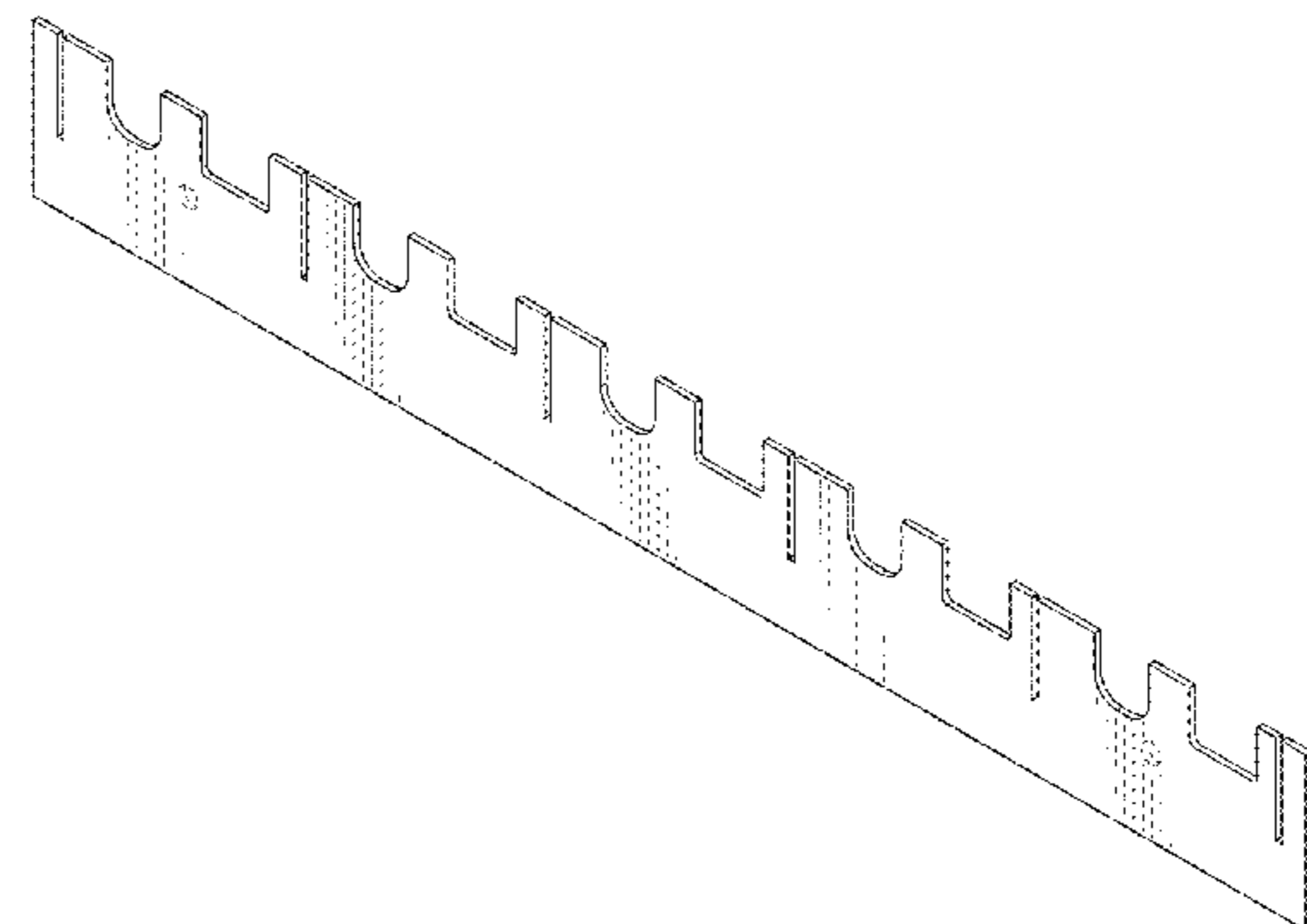
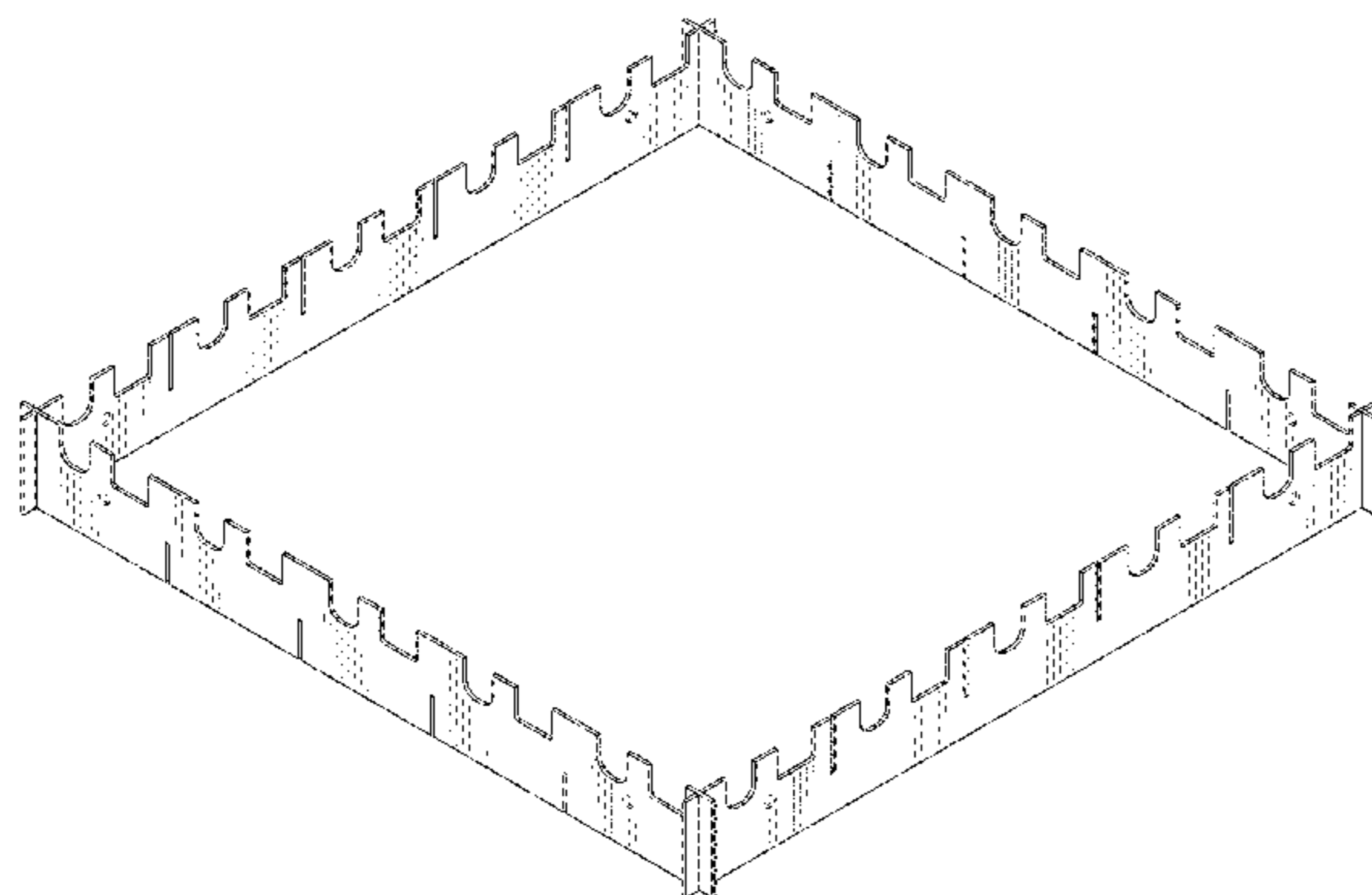
FIG. 14 is a bottom plan view of the second plate;

FIG. 15 is a left end elevation view of the second plate; and,

FIG. 16 is a right end elevation view of the second plate.

The broken lines illustrate portions of the clamp rack which form no part of the claimed design.

**1 Claim, 8 Drawing Sheets**



(56)

**References Cited**

U.S. PATENT DOCUMENTS

9,062,467 B1 \* 6/2015 Hanson ..... E04G 21/1891  
2006/0283524 A1 \* 12/2006 McDaniel ..... B27C 5/10  
144/144.51

\* cited by examiner

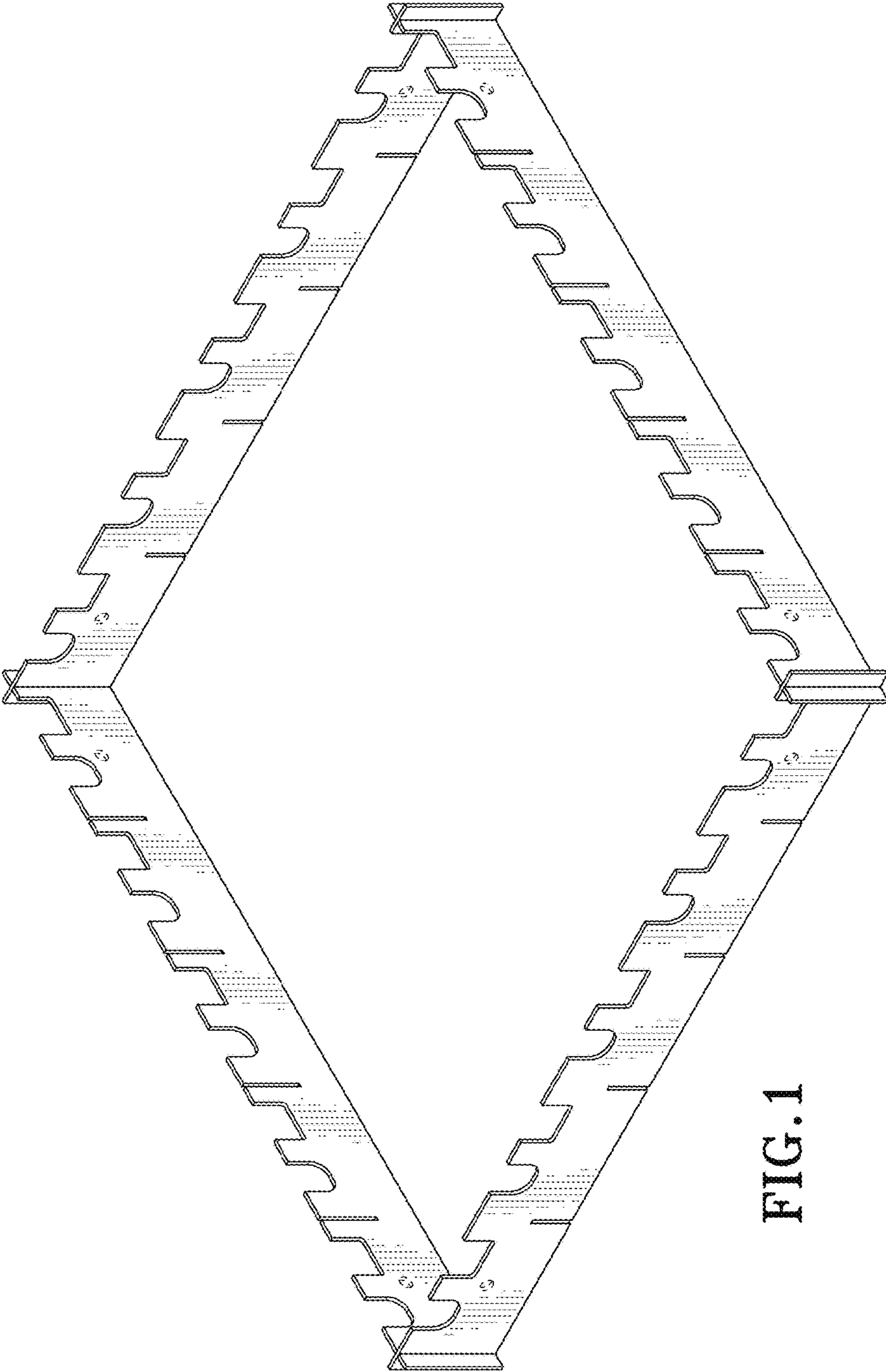


FIG. 1

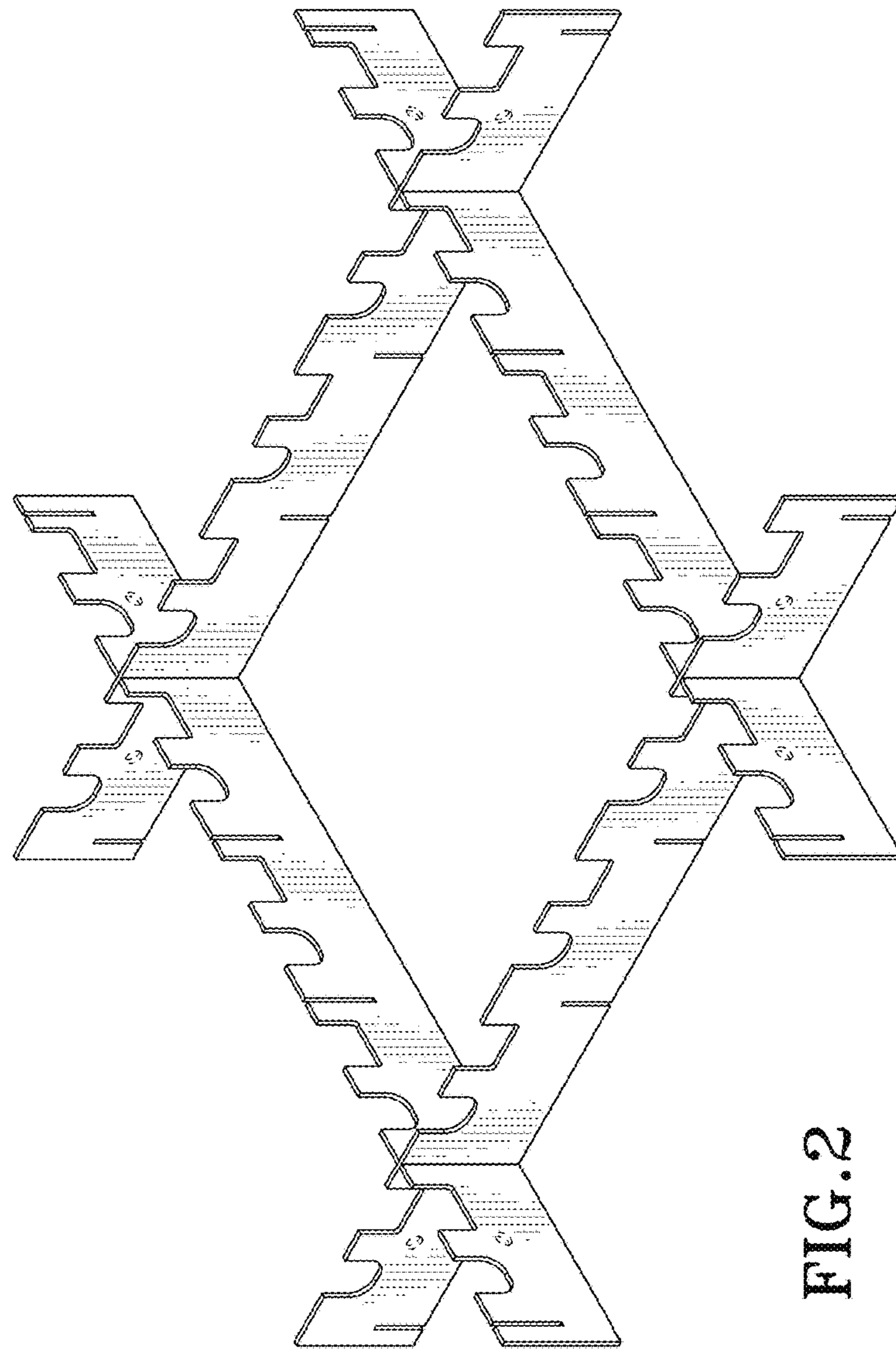


FIG. 2

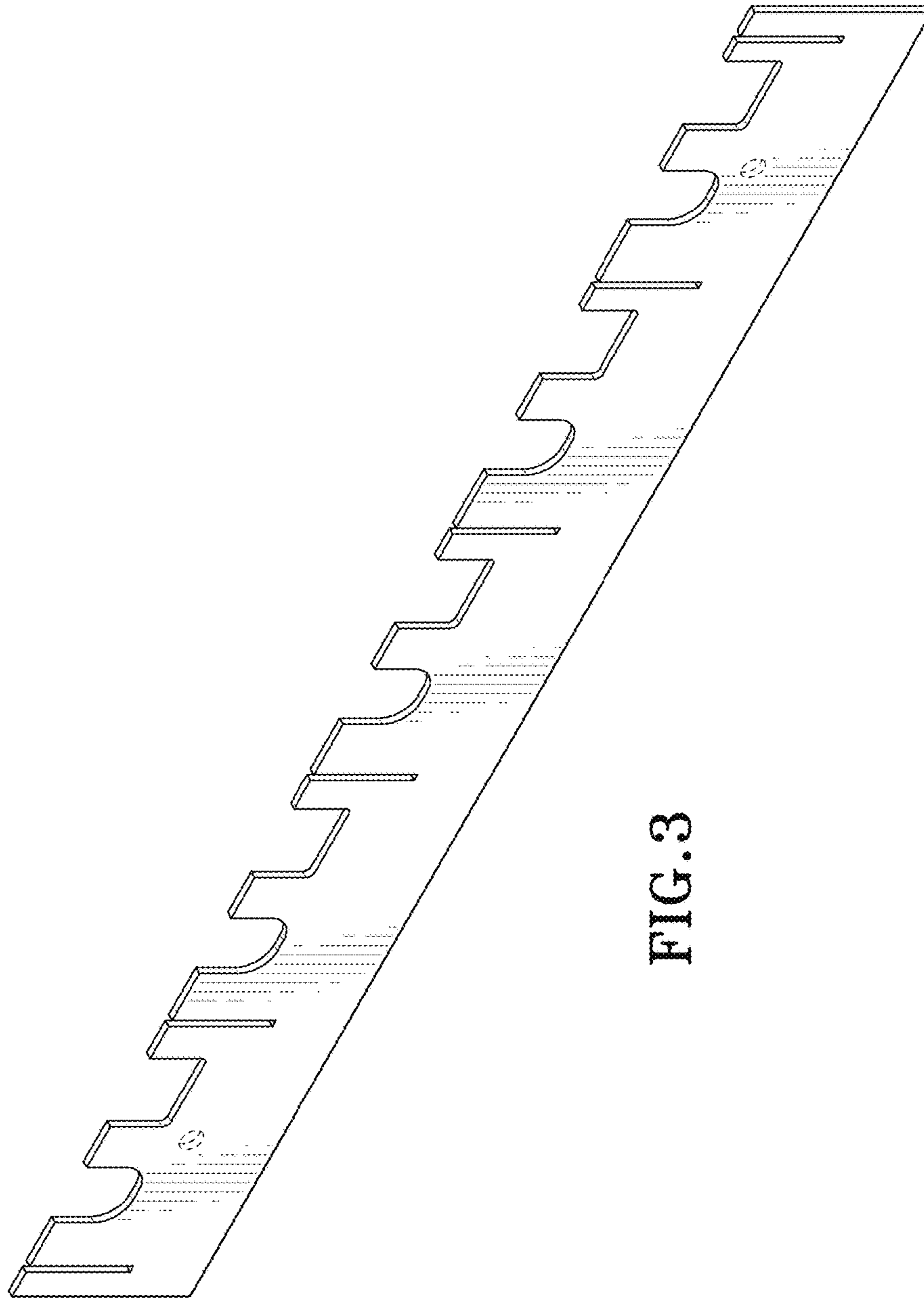


FIG. 3

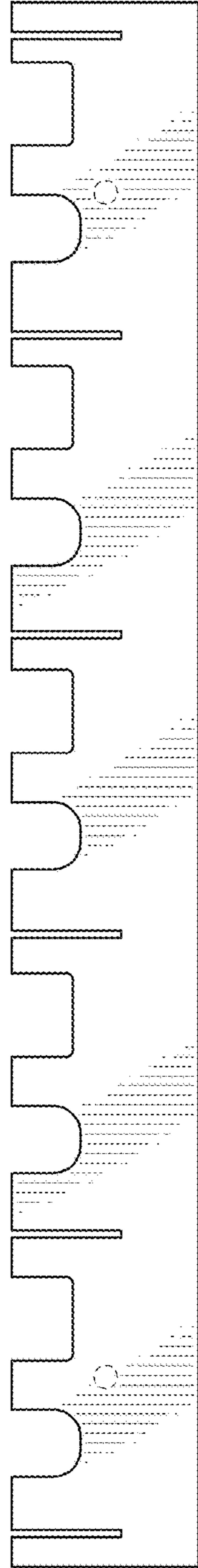


FIG. 4

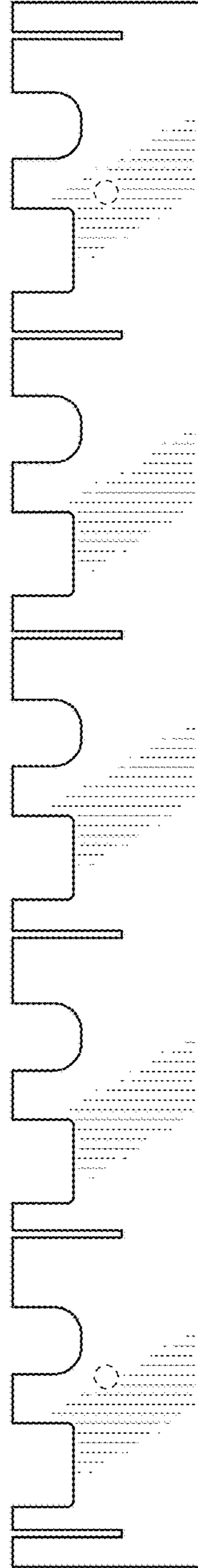


FIG. 5



FIG. 6



FIG. 7

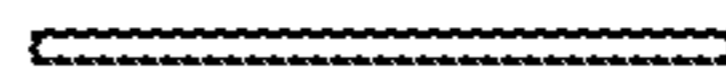


FIG. 8

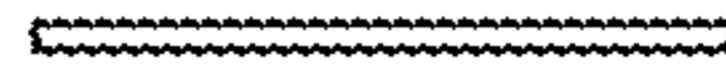


FIG. 9

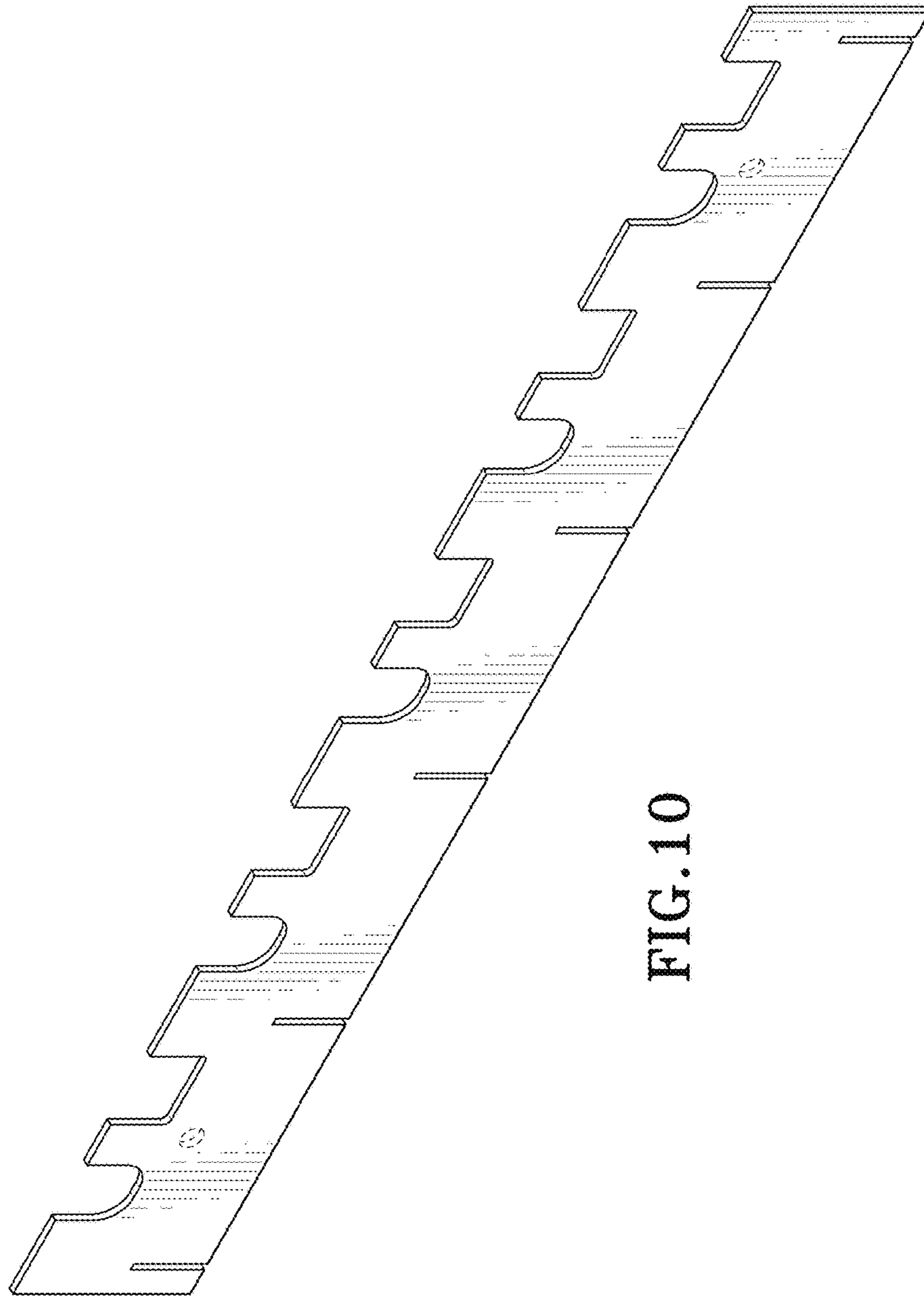


FIG. 10



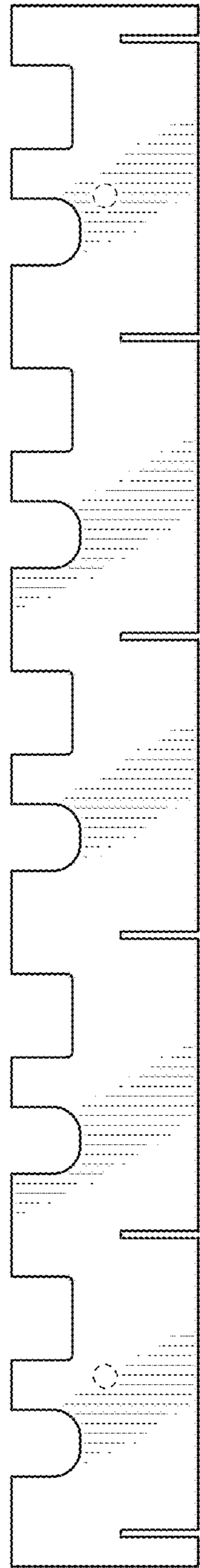


FIG. 11

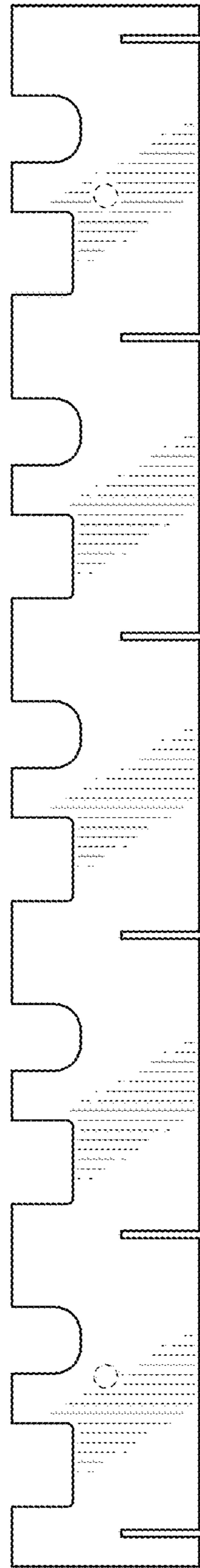


FIG. 12

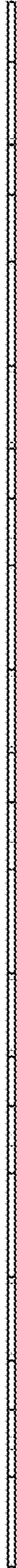


FIG. 13



FIG. 14



FIG. 15

FIG. 16