



US00D865473S

(12) **United States Design Patent** (10) **Patent No.:** **US D865,473 S**
Cross (45) **Date of Patent:** **** Nov. 5, 2019**

(54) **CLAMP RACK**

(71) Applicant: **Woodpeckers, LLC**, Strongsville, OH (US)

(72) Inventor: **Steven Charles Cross**, Mentor, OH (US)

(73) Assignee: **Woodpeckers, LLC**, Strongsville, OH (US)

(**) Term: **15 Years**

(21) Appl. No.: **29/653,975**

(22) Filed: **Jun. 20, 2018**

(51) **LOC (12) Cl.** **08-05**

(52) **U.S. Cl.**
USPC **D8/71**

(58) **Field of Classification Search**
USPC D15/78, 138-140, 125, 126, 133; D8/71, D8/72, 74
CPC .. B25B 5/085; B25B 5/14; B25B 5/16; B25B 5/163; B25B 5/166
See application file for complete search history.

(56) **References Cited**

U.S. PATENT DOCUMENTS

| | | | | | |
|--------------|------|---------|----------|-------|---------------------------|
| 5,832,977 | A * | 11/1998 | Hampton | | B23Q 9/0014 144/144.51 |
| D559,287 | S * | 1/2008 | McDaniel | | D15/140 |
| D560,235 | S * | 1/2008 | McDaniel | | D15/140 |
| D569,882 | S * | 5/2008 | McDaniel | | D15/140 |
| D571,836 | S * | 6/2008 | McDaniel | | D15/140 |
| D730,142 | S * | 5/2015 | Shapiro | | D8/72 |
| 9,062,467 | B1 * | 6/2015 | Hanson | | E04G 21/1891 |
| 2006/0283524 | A1 * | 12/2006 | McDaniel | | B27C 5/10 144/144.51 |

* cited by examiner

Primary Examiner — Keli L Hill

Assistant Examiner — Harold E Blackwell, II

(74) *Attorney, Agent, or Firm* — Sand, Sebolt & Wernow Co., LPA

(57) **CLAIM**

The ornamental design for a clamp rack, as shown and described.

DESCRIPTION

FIG. 1 is an isometric perspective view of a clamp rack in accordance with our design showing a first plate and a second plate of the clamp rack in an exemplary first assembled configuration;

FIG. 2 is an isometric perspective of the clamp rack in accordance with our design showing the first plate and the second plate of the clamp rack in an exemplary second assembled configuration;

FIG. 3 is a front, top, right end, perspective view of the first plate of the clamp rack shown in FIG. 1 or FIG. 2;

FIG. 4 is a front elevation view of the first plate;

FIG. 5 is a rear elevation view of the first plate

FIG. 6 is a top plan view of the first plate;

FIG. 7 is a bottom plan view of the first plate;

FIG. 8 is a left end elevation view of the first plate; and

FIG. 9 is a right end elevation view of the first plate;

FIG. 10 is a front, top, right end, isometric perspective view of the second plate of the clamp rack shown in FIG. 1 or FIG. 2;

FIG. 11 is a front elevation of the second plate;

FIG. 12 is a rear elevation view of the second plate;

FIG. 13 is a top plan view of the second plate

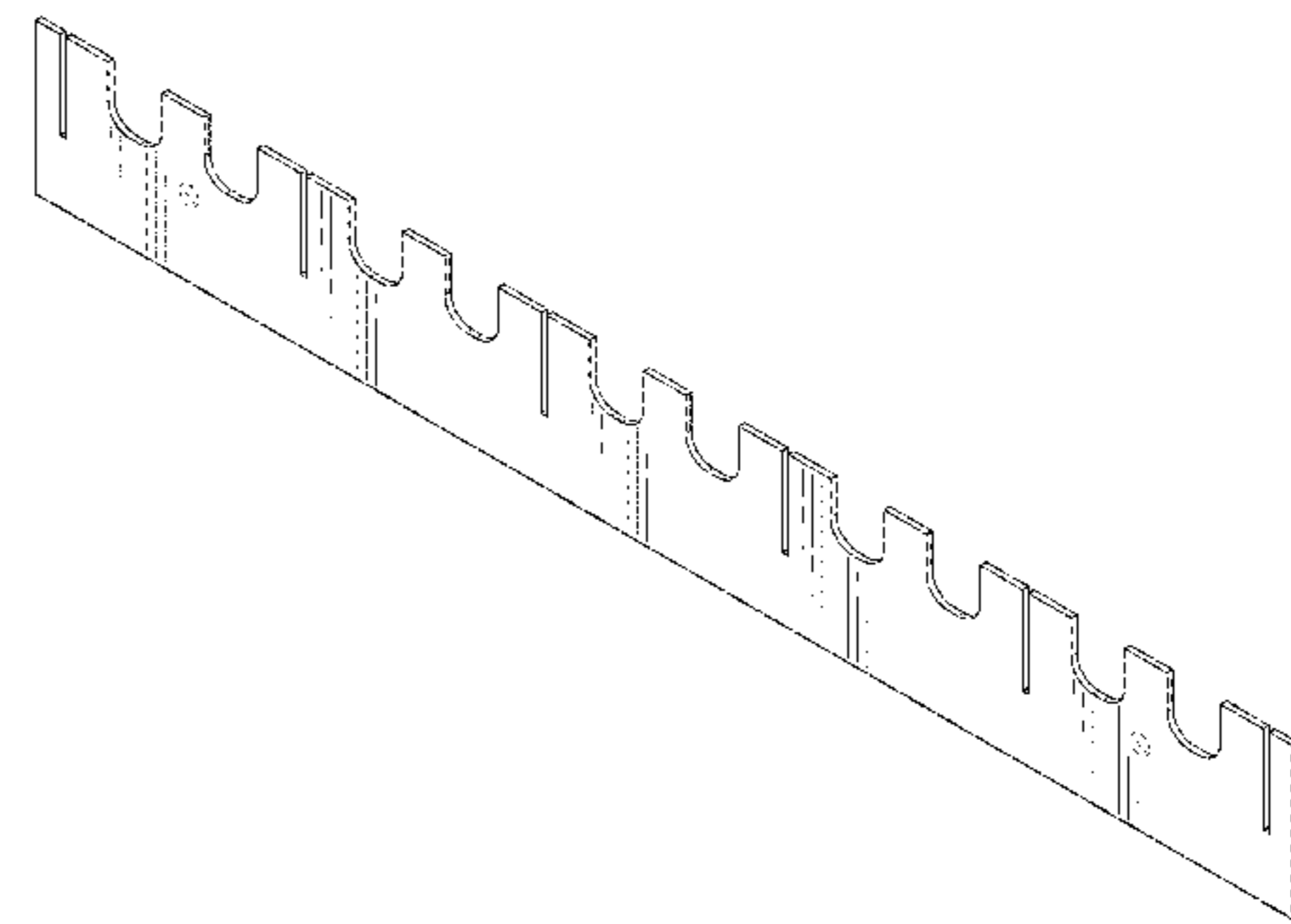
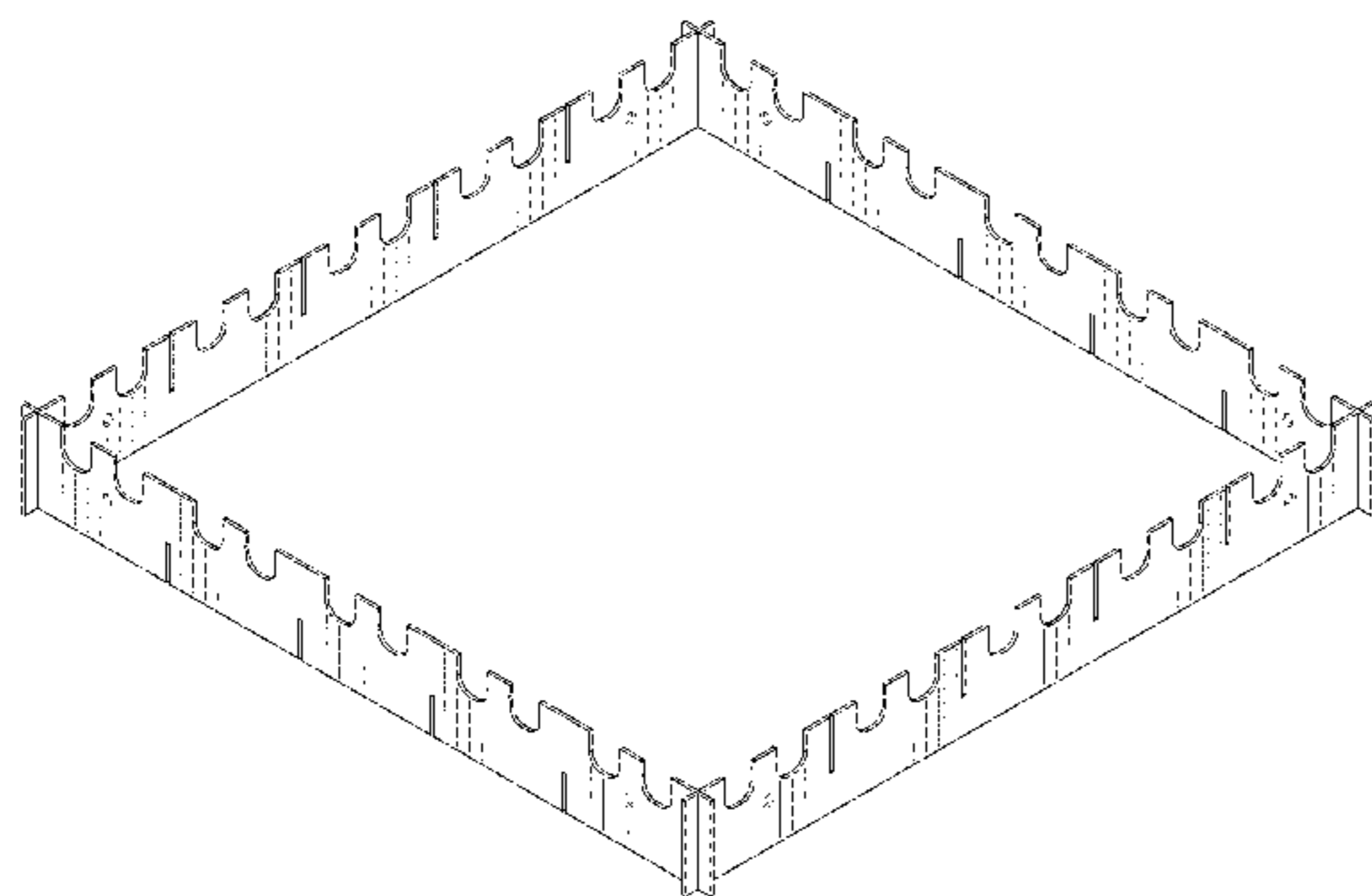
FIG. 14 is a bottom plan view of the second plate;

FIG. 15 is a left end elevation view of the second plate; and,

FIG. 16 is a right end elevation view of the second plate.

The broken lines illustrate portions of the clamp rack which form no part of the claimed design.

1 Claim, 8 Drawing Sheets



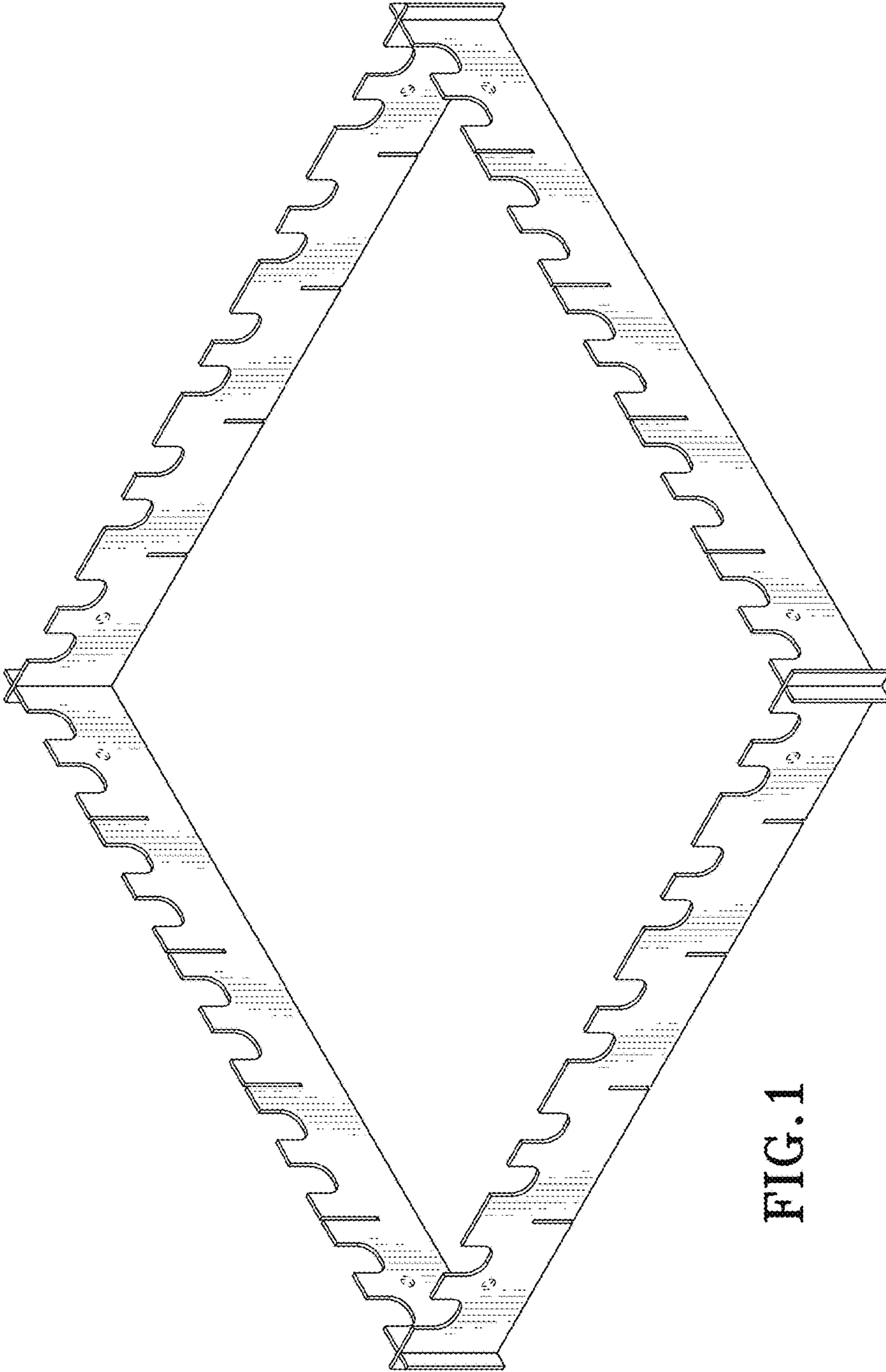


FIG. 1

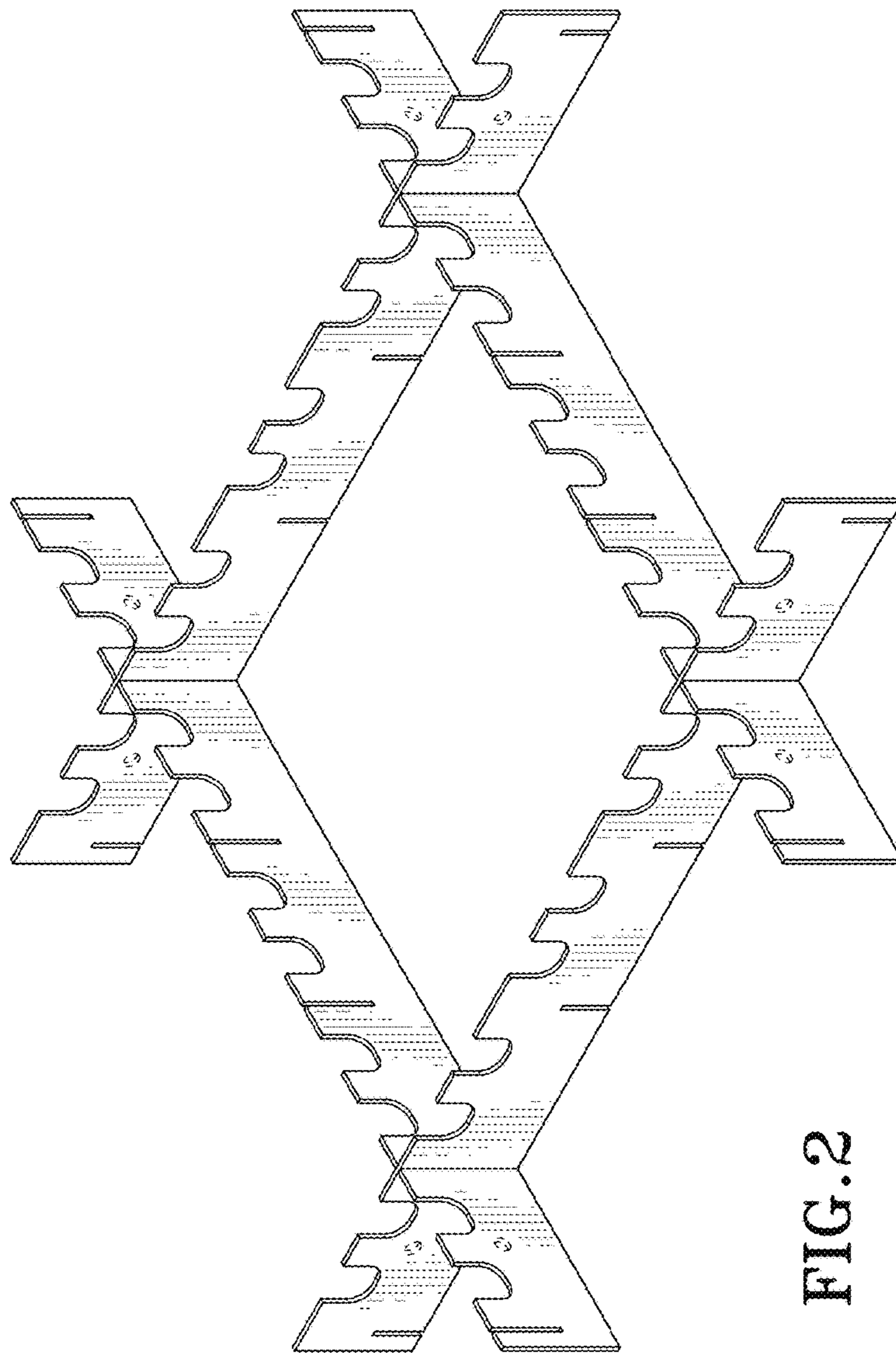


FIG. 2

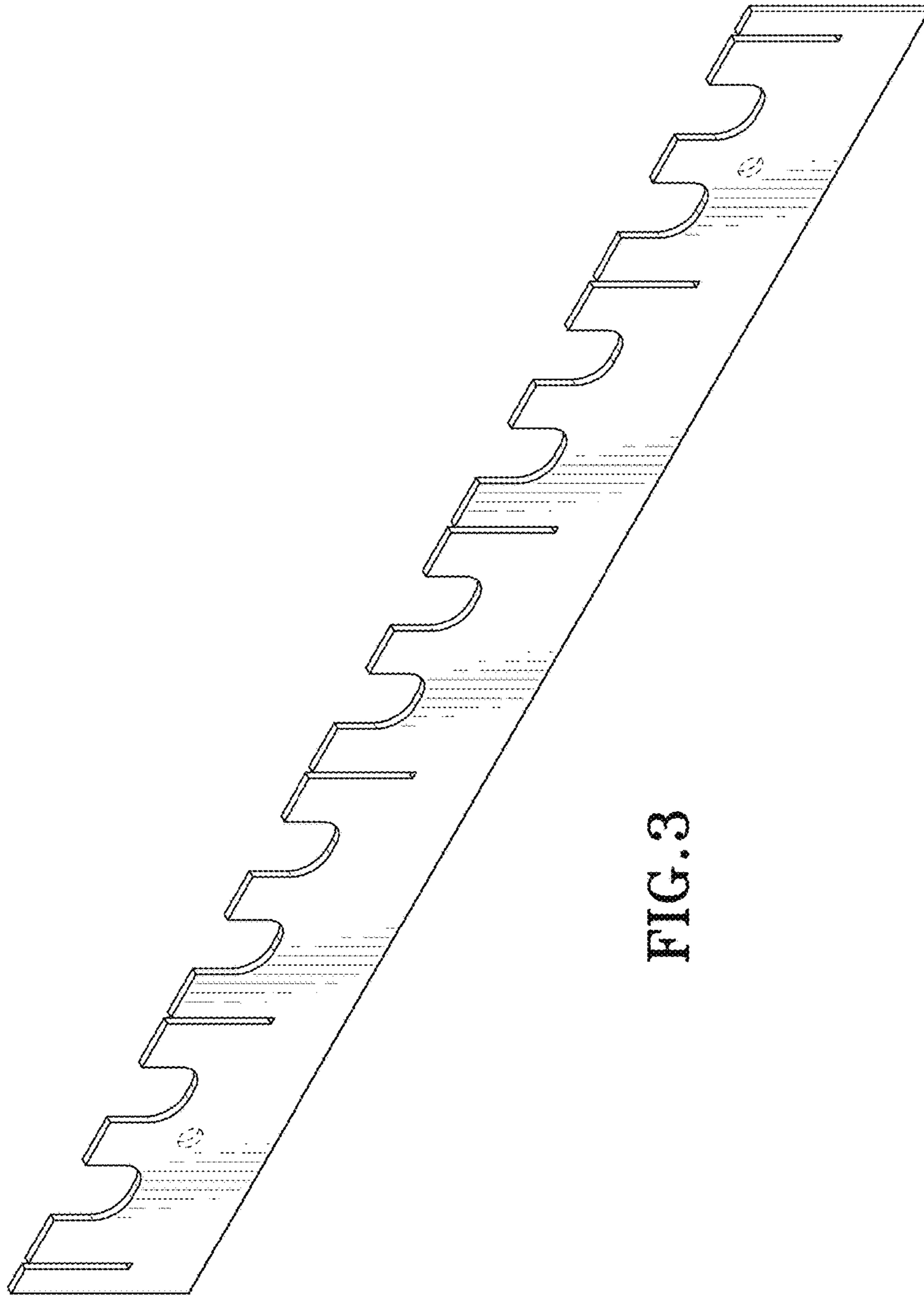


FIG. 3

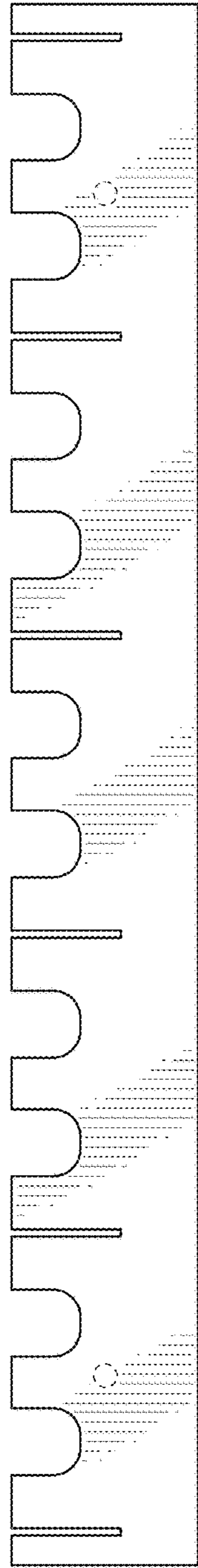


FIG. 4

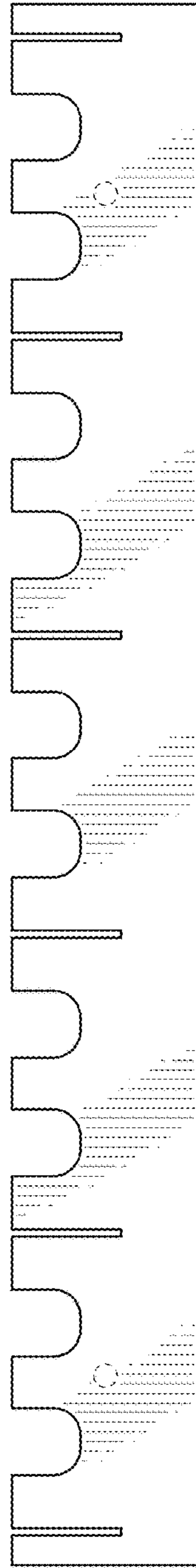


FIG. 5

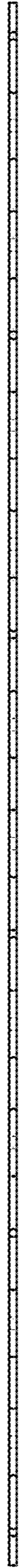


FIG. 6



FIG. 7

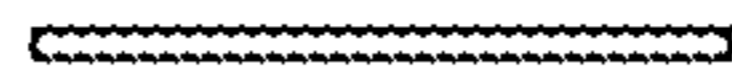


FIG. 8

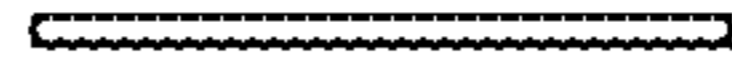


FIG. 9

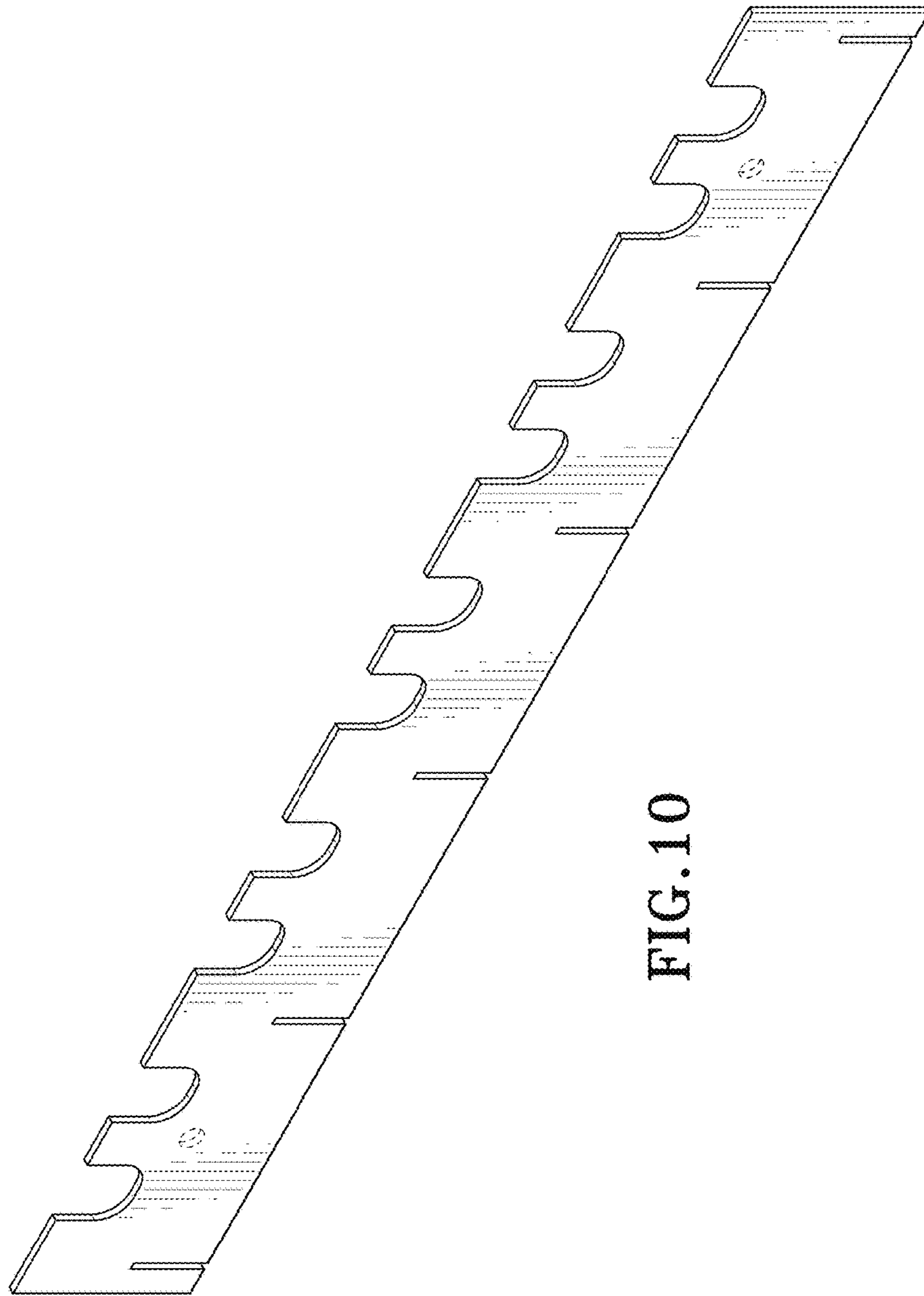


FIG. 10

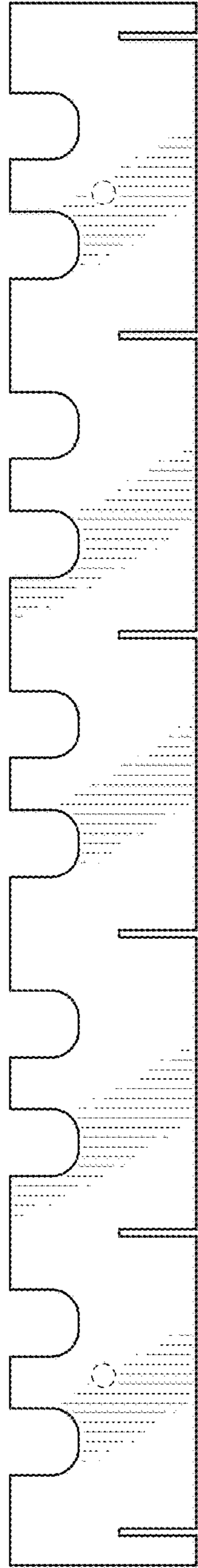


FIG. 11

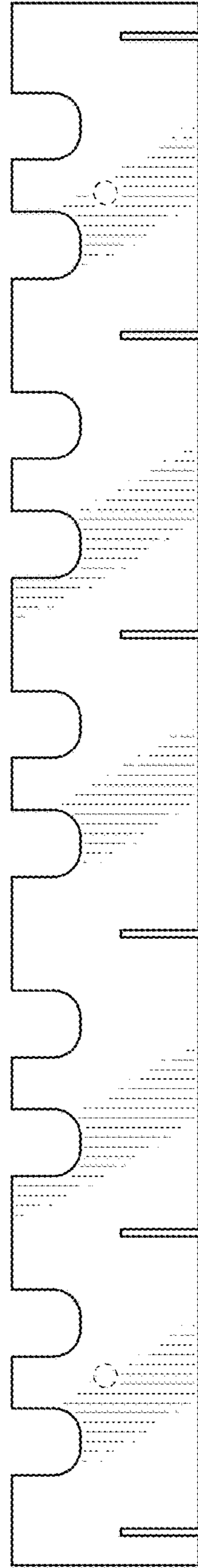


FIG. 12



FIG. 13



FIG. 14



FIG. 15

FIG. 16