



US00D865471S

(12) **United States Design Patent** (10) **Patent No.:** **US D865,471 S**  
**Koeniger et al.** (45) **Date of Patent:** **\*\* Nov. 5, 2019**

(54) **POWDER ACTUATED TOOL** 7,021,511 B2 \* 4/2006 Popovich ..... B25C 1/008  
227/120

(71) Applicant: **Hilti Aktiengesellschaft, Schaan (LI)** D543,819 S \* 6/2007 Lee ..... D8/69  
7,287,679 B2 \* 10/2007 Gaudron ..... B25C 1/14  
173/210

(72) Inventors: **Tobias Koeniger, Bregenz (AT); Peter Simon, Aalen (DE); Graham Keevy, Aalen (DE)** D589,771 S \* 4/2009 Lee ..... D8/61  
D608,176 S \* 1/2010 Heidelberg ..... D8/68  
D619,438 S \* 7/2010 Lee ..... D8/68  
8,087,561 B2 \* 1/2012 Lee ..... B25C 1/143  
227/10

(73) Assignee: **Hilti Aktiengesellschaft, Schaan (LI)** D658,024 S \* 4/2012 Checchi ..... D8/69  
D775,505 S \* 1/2017 Koeniger ..... D8/68

(\*\*) Term: **15 Years** 2008/0041911 A1 \* 2/2008 Lee ..... B25C 1/143  
227/9

(21) Appl. No.: **29/638,802** 2009/0159634 A1 \* 6/2009 Lee ..... B25C 1/143  
227/9

(22) Filed: **Mar. 1, 2018** 2010/0258609 A1 \* 10/2010 Lee ..... B25C 1/143  
227/10

(51) **LOC (12) Cl.** ..... **08-05**

(52) **U.S. Cl.**  
USPC ..... **D8/68**

(58) **Field of Classification Search**  
USPC ..... D8/61, 67, 68  
CPC .... B62D 23/005; B62D 29/00; B62D 29/043;  
B62D 31/00; B62D 33/046; B62D 35/00;  
B62D 35/001; B60Q 1/0005  
See application file for complete search history.

\* cited by examiner

*Primary Examiner* — Darlington Ly  
(74) *Attorney, Agent, or Firm* — Crowell & Moring LLP

(57) **CLAIM**

The ornamental design for a powder actuated tool, as shown and described.

**DESCRIPTION**

FIG. 1 is a front perspective view of a powder actuated tool showing our new design;  
FIG. 2 is a rear perspective view thereof;  
FIG. 3 is a front elevation view thereof;  
FIG. 4 is a rear elevation view thereof;  
FIG. 5 is a right side elevation view thereof;  
FIG. 6 is a left side elevation view thereof;  
FIG. 7 is a top plan view thereof; and,  
FIG. 8 is a bottom plan view thereof.

**1 Claim, 8 Drawing Sheets**

(56) **References Cited**

**U.S. PATENT DOCUMENTS**

3,652,003 A \* 3/1972 Leonardo ..... B25C 1/105  
227/10

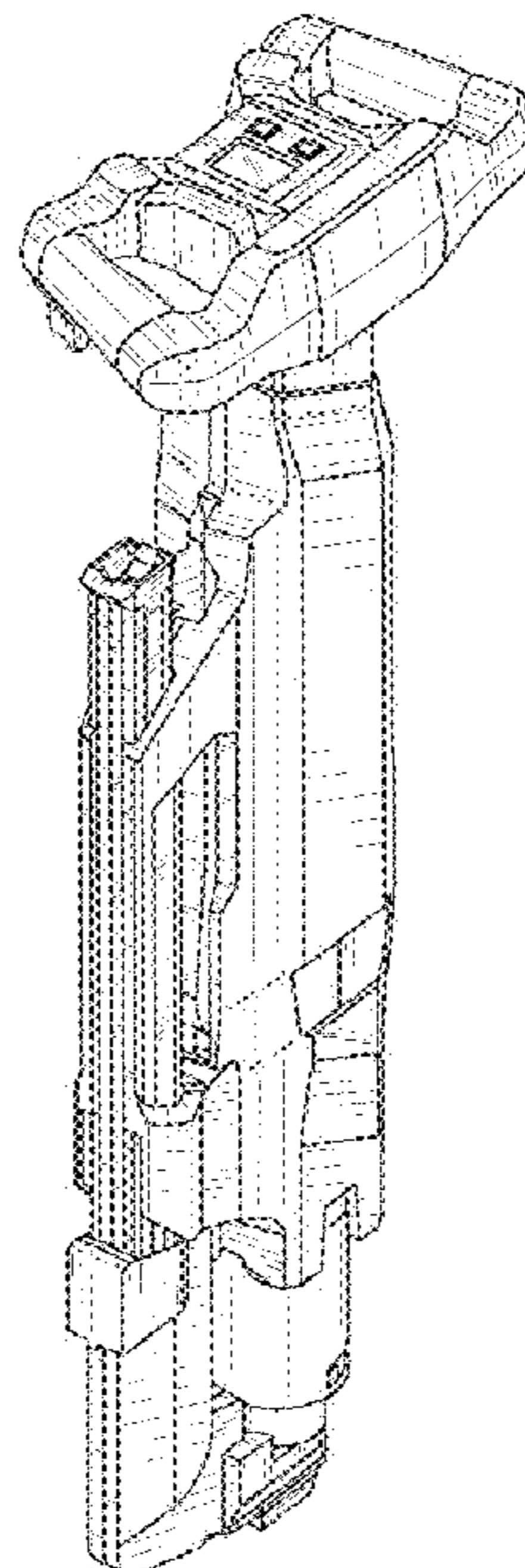
D298,509 S \* 11/1988 Brosius ..... D8/68

5,119,634 A \* 6/1992 Berry ..... B25C 1/18  
60/632

5,699,948 A \* 12/1997 Lee ..... B25C 1/14  
227/10

D446,434 S \* 8/2001 Ashbaugh ..... D8/68

6,981,630 B2 \* 1/2006 Popovich ..... B25C 1/186  
227/10



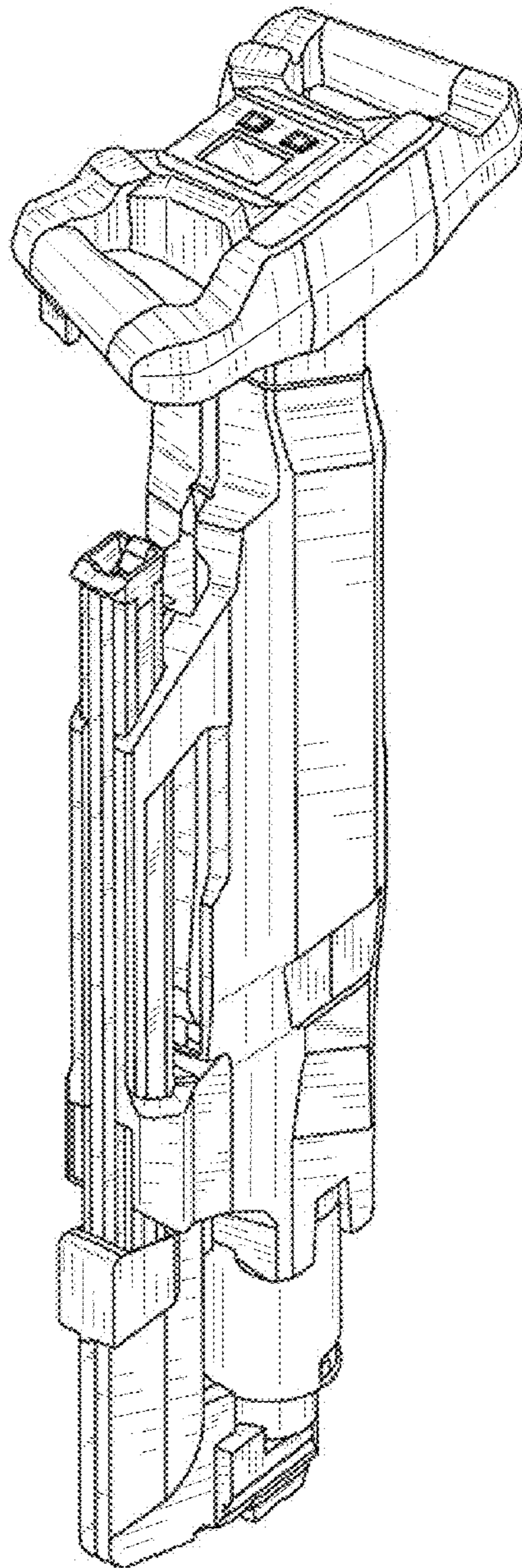


FIG. 1

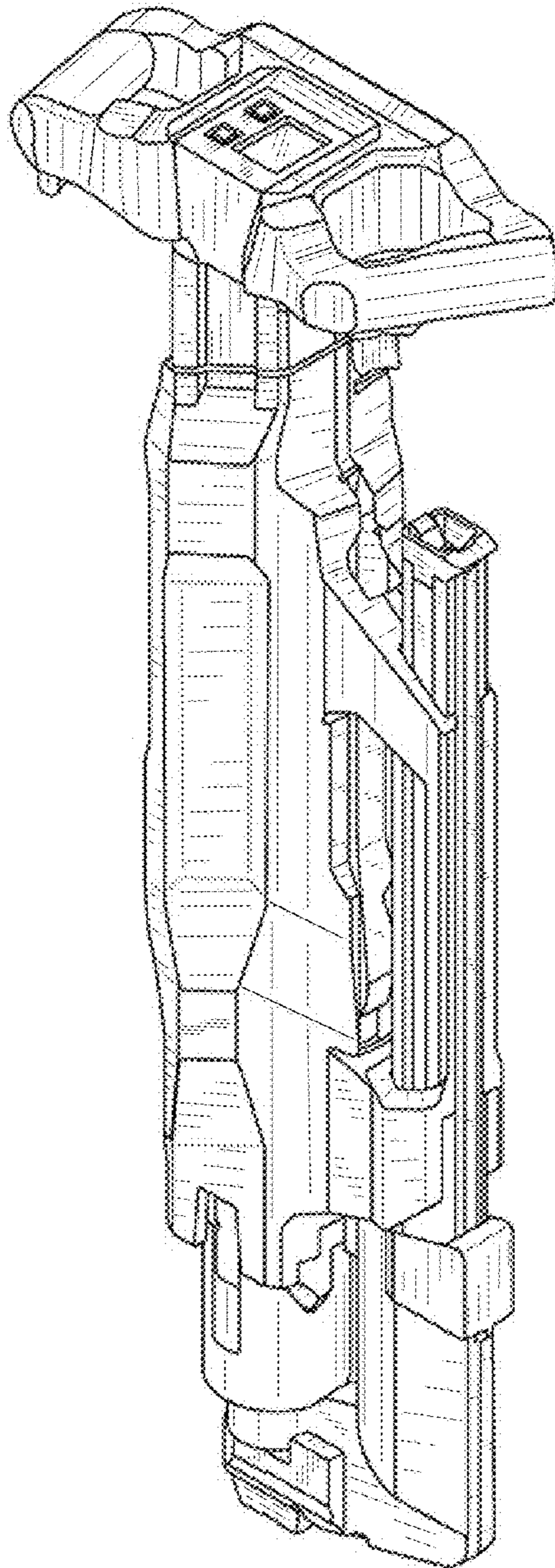


FIG. 2

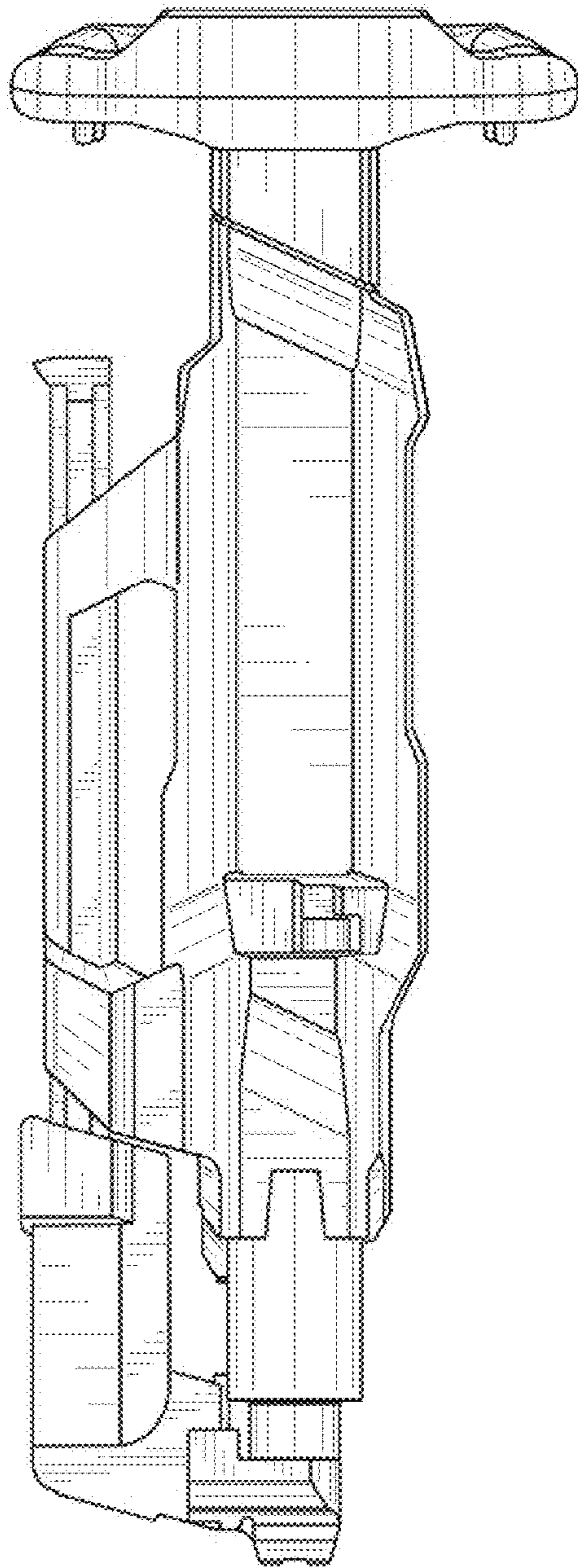


FIG. 3

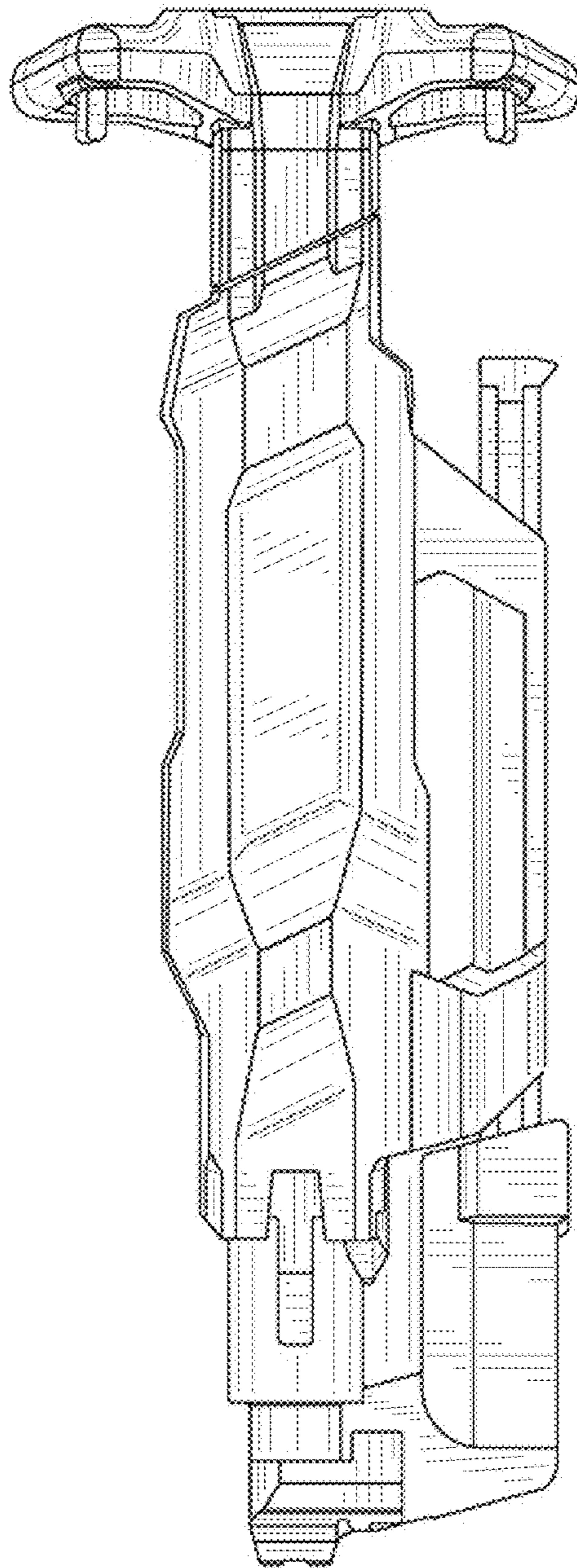


FIG. 4

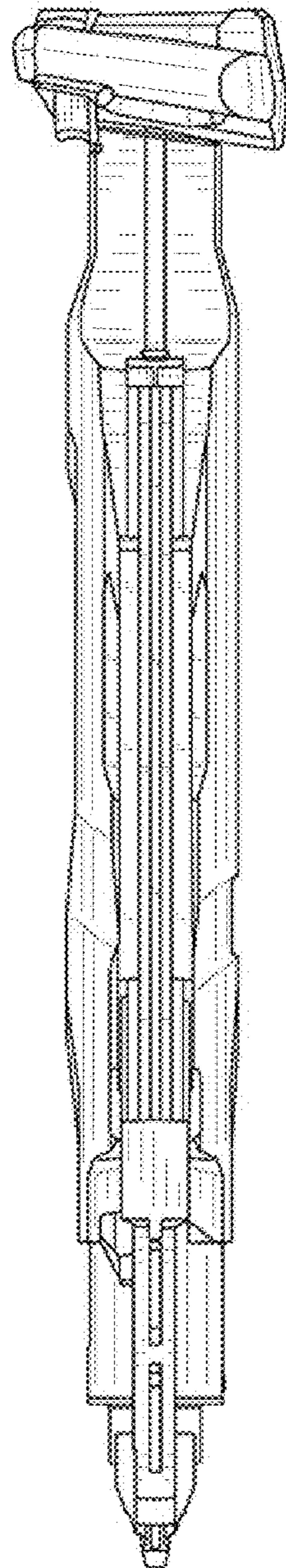


FIG. 5

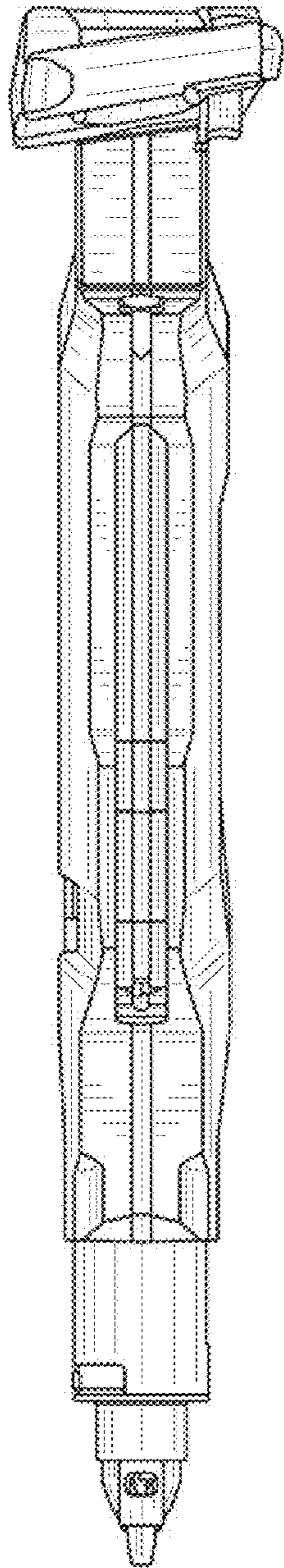


FIG. 6

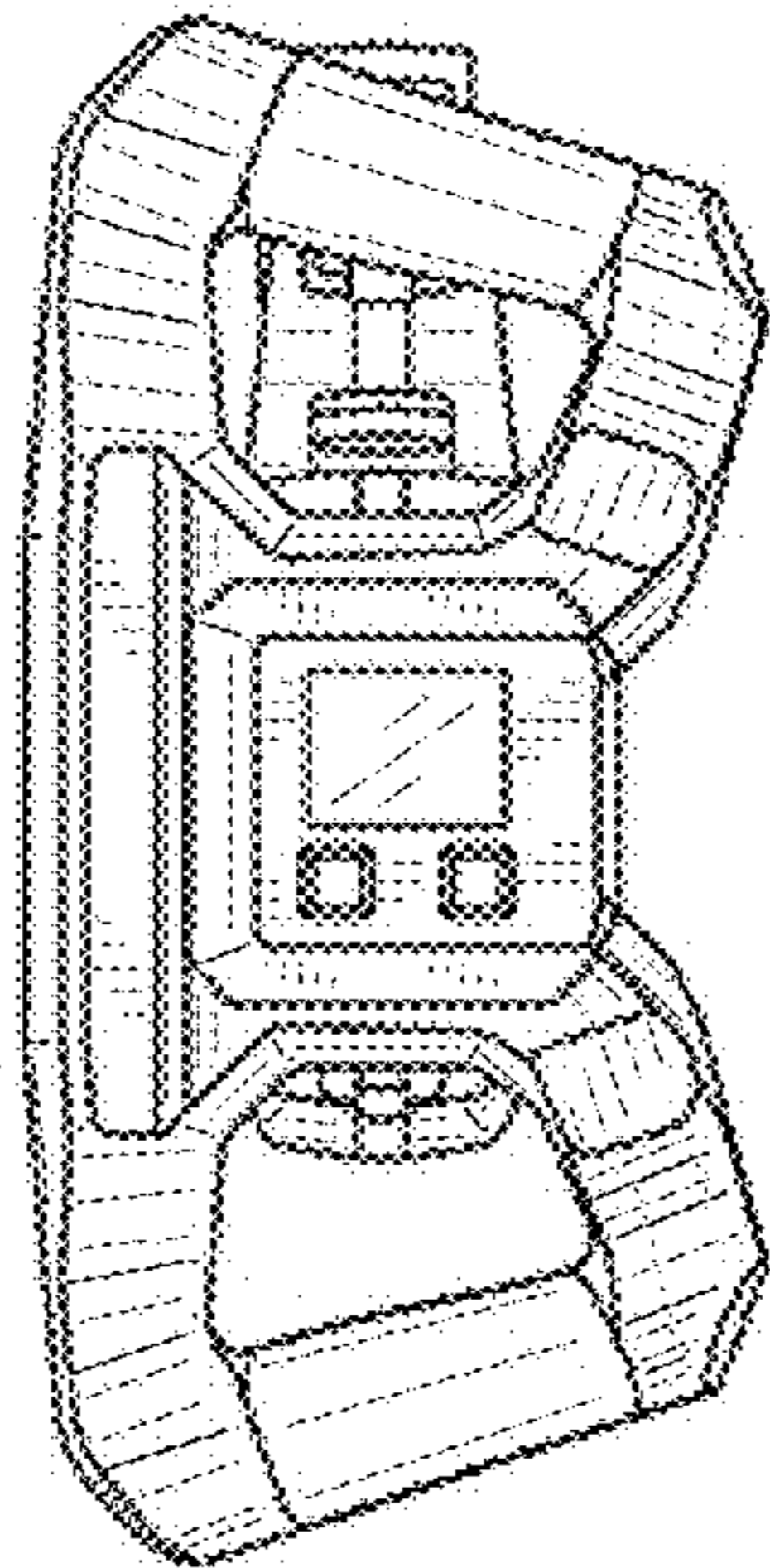


FIG. 7



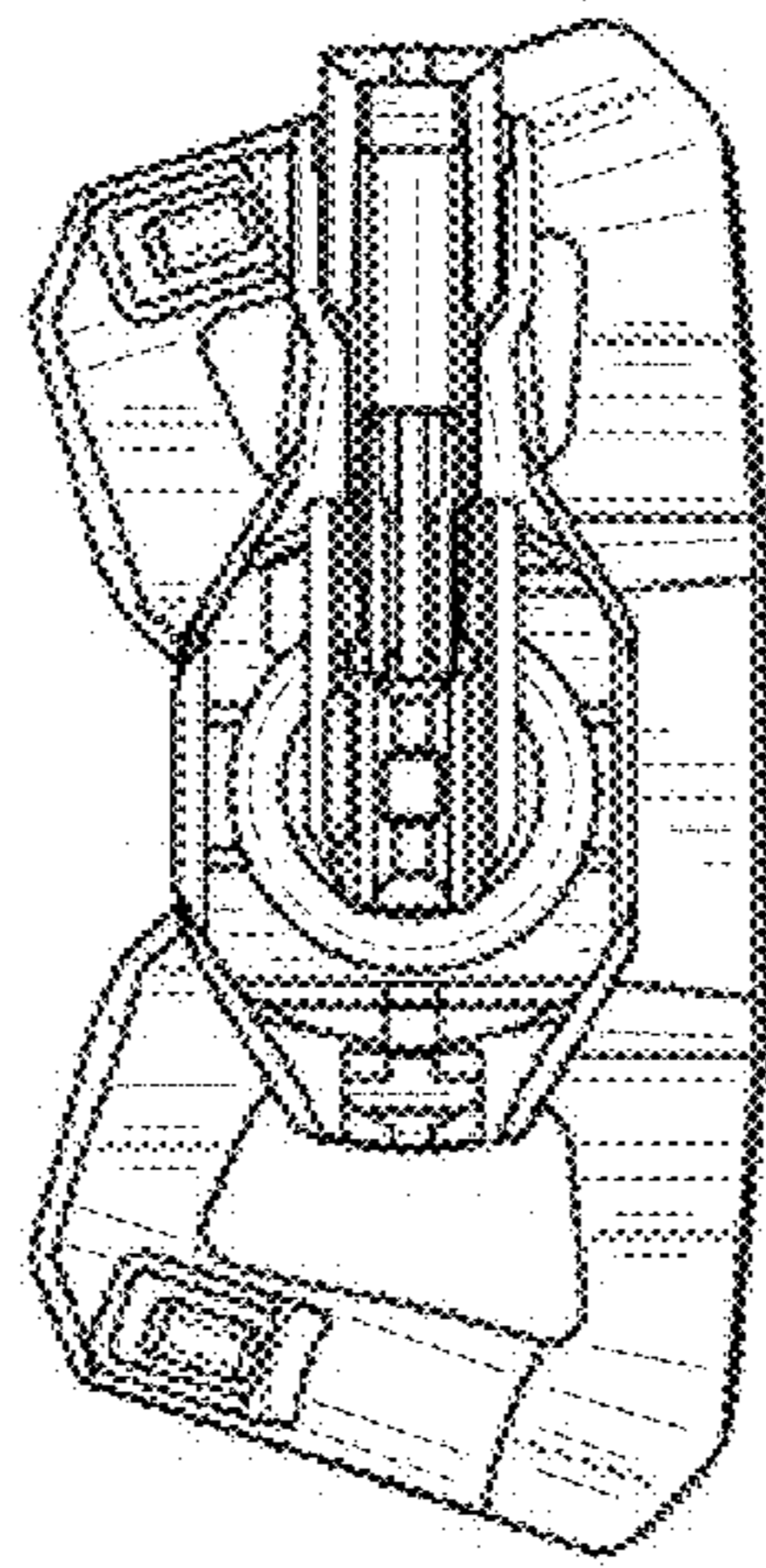


FIG. 8