



US00D865470S

(12) **United States Design Patent**
Houghton

(10) **Patent No.:** **US D865,470 S**

(45) **Date of Patent:** **** Nov. 5, 2019**

(54) **POWERED SCREWDRIVER**

(71) Applicant: **BLACK & DECKER INC.**, New Britain, CT (US)

(72) Inventor: **Stephen Houghton**, New Castle upon Tyne (GB)

(73) Assignee: **Black & Decker Inc.**, New Britain, CT (US)

(**) Term: **15 Years**

(21) Appl. No.: **29/659,150**

(22) Filed: **Aug. 7, 2018**

(30) **Foreign Application Priority Data**

Feb. 23, 2018 (EM) 004723690

(51) **LOC (12) Cl.** **08-01**

(52) **U.S. Cl.**
USPC **D8/61**

(58) **Field of Classification Search**
USPC D8/61, 62, 67, 69; 81/57, 57.11, 57.14,
81/57.26, 429, 464, 469; 173/2, 170,
173/176, 181

CPC B25B 21/00; F16D 41/206; B25F 5/001
See application file for complete search history.

(56) **References Cited**

U.S. PATENT DOCUMENTS

D576,853 S * 9/2008 Aglassinger D8/61
D580,722 S * 11/2008 Chi D8/61
D586,195 S * 2/2009 Okuda D8/61
D587,543 S * 3/2009 Kokawa D8/61
D593,387 S * 6/2009 Liao D8/61

D604,581 S * 11/2009 Edwards D8/61
D618,079 S * 6/2010 Blythe D8/61
D632,536 S * 2/2011 Solar D8/61
D634,998 S * 3/2011 Garfield D8/61
D663,180 S * 7/2012 Jerome D8/61
D677,540 S * 3/2013 Meyers D8/61
D688,109 S * 8/2013 Vanderbeek D8/61
D689,354 S * 9/2013 Mitchell D8/61
D703,017 S * 4/2014 Concari B25B 23/14
D8/61
D711,714 S * 8/2014 Sawaya D8/61
D715,615 S * 10/2014 Nagy D8/61
D720,196 S * 12/2014 Hsiao D8/61
D755,032 S * 5/2016 Martinez D8/61
D768,452 S * 10/2016 Padget D8/61
D794,407 S * 8/2017 Markwald D8/61

* cited by examiner

Primary Examiner — Austin Murphy

(74) *Attorney, Agent, or Firm* — Stephen R. Valancius

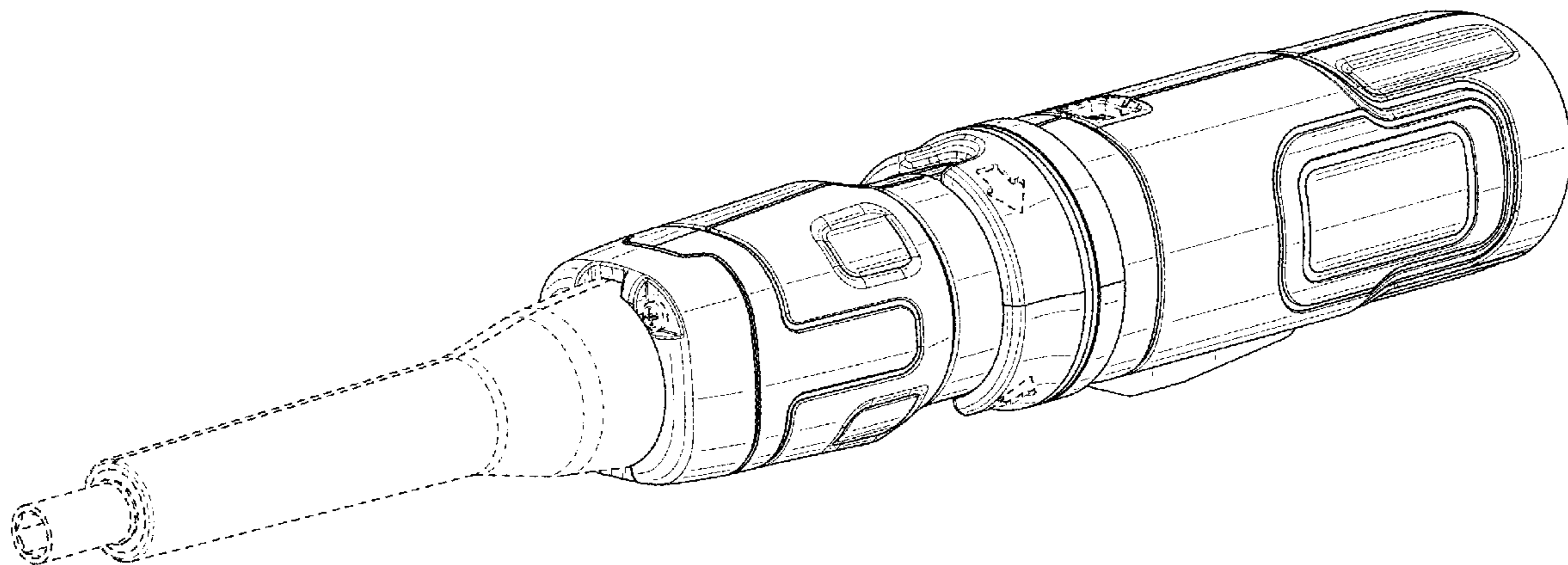
(57) **CLAIM**

The ornamental design for a powered screwdriver, as shown and described.

DESCRIPTION

FIG. 1 is a perspective view of a powered screwdriver showing my new design;
FIG. 2 is a front view thereof
FIG. 3 is a rear view thereof;
FIG. 4 is a left side view thereof;
FIG. 5 is a right side view thereof;
FIG. 6 is a top plan view thereof; and,
FIG. 7 is a bottom plan view thereof.
In the above drawings, the broken lines and the areas within the broken lines form no part of the claimed design.

1 Claim, 7 Drawing Sheets



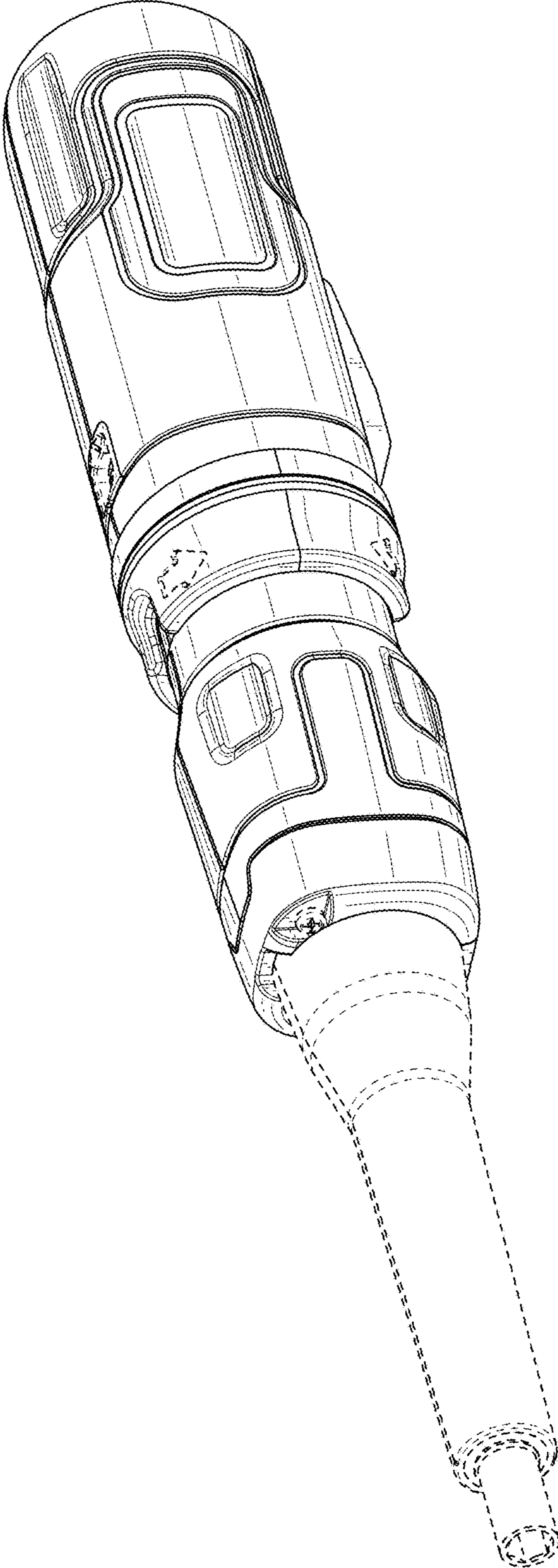


FIG. 1

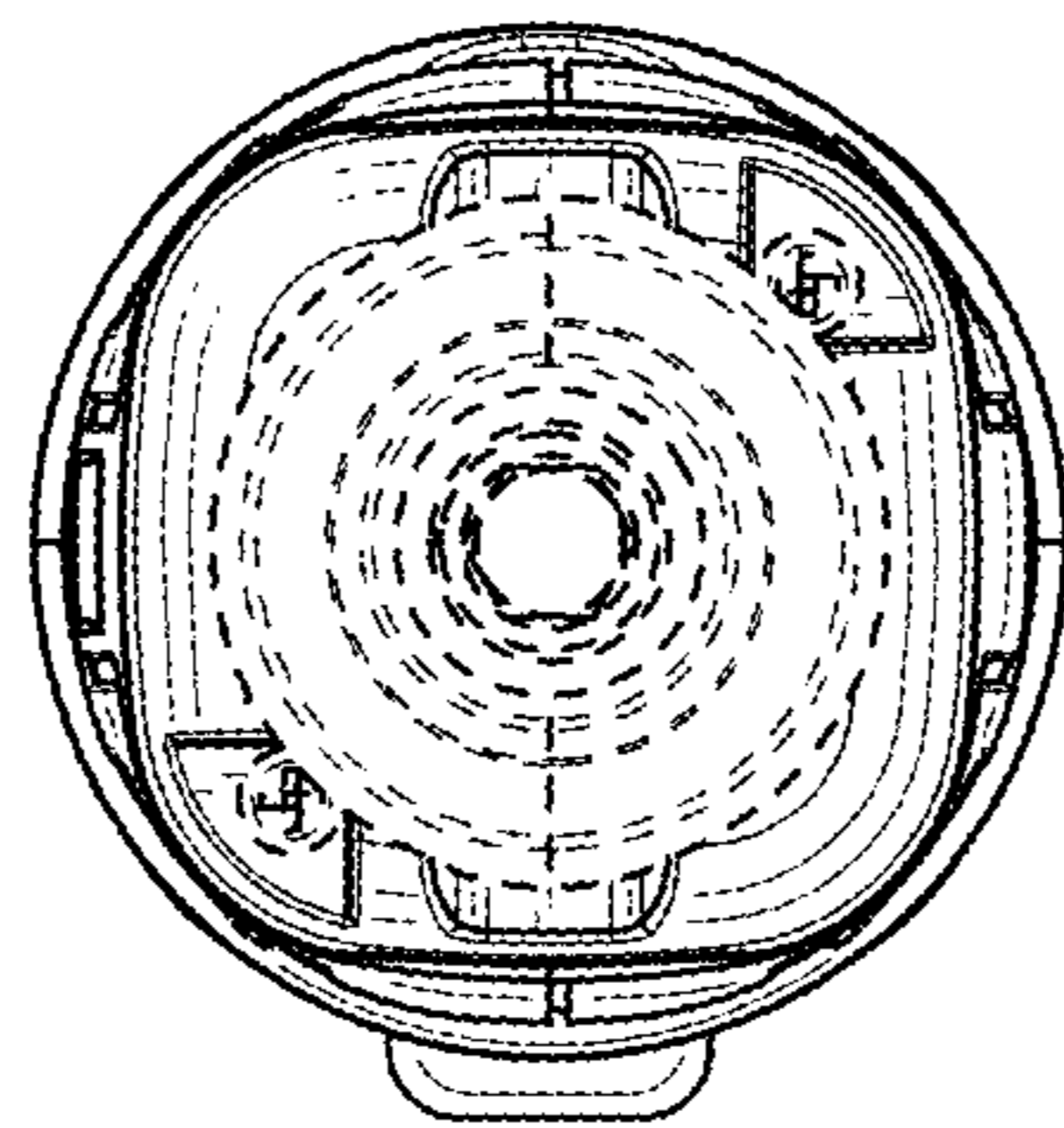


FIG. 2

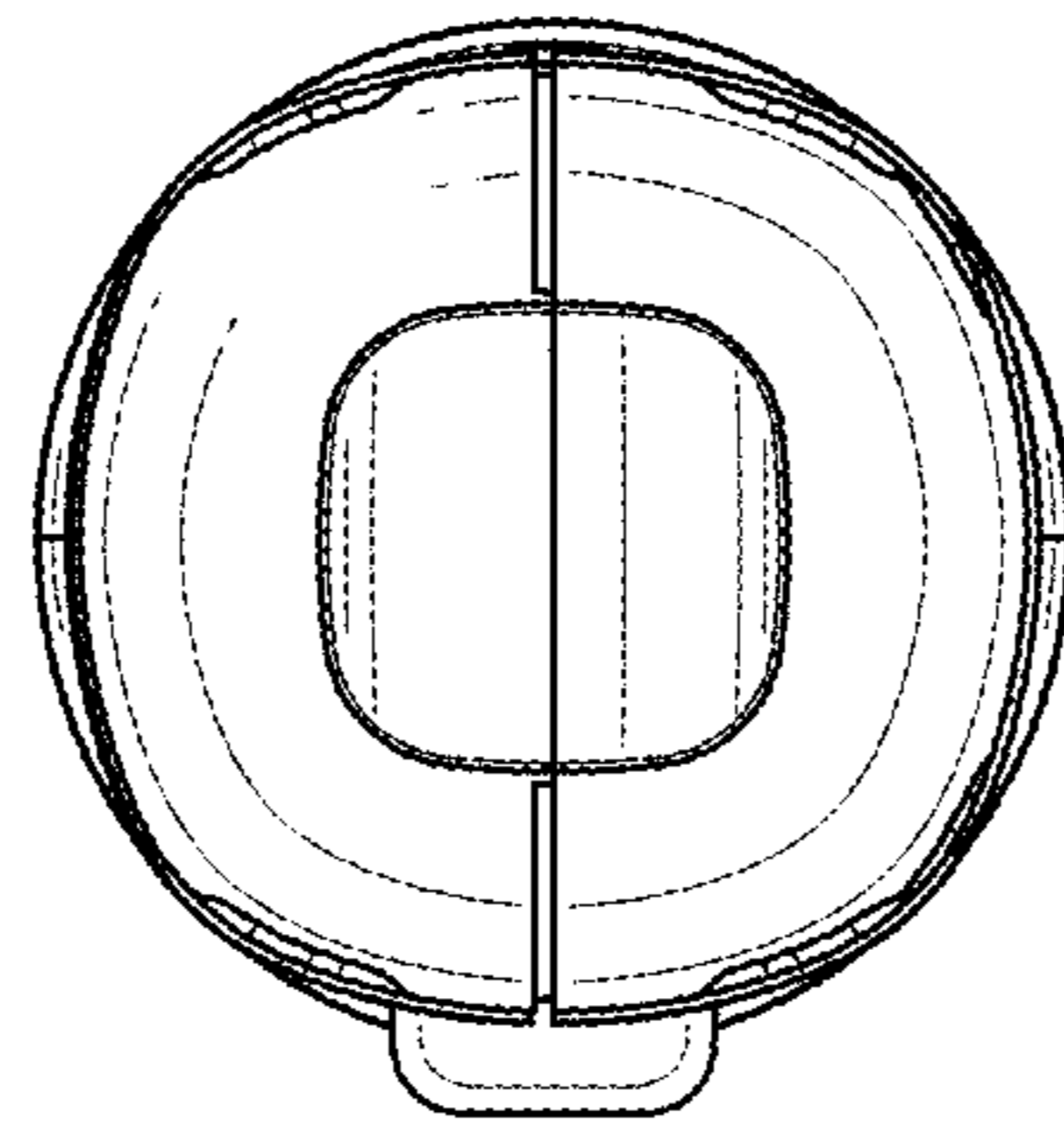


FIG. 3

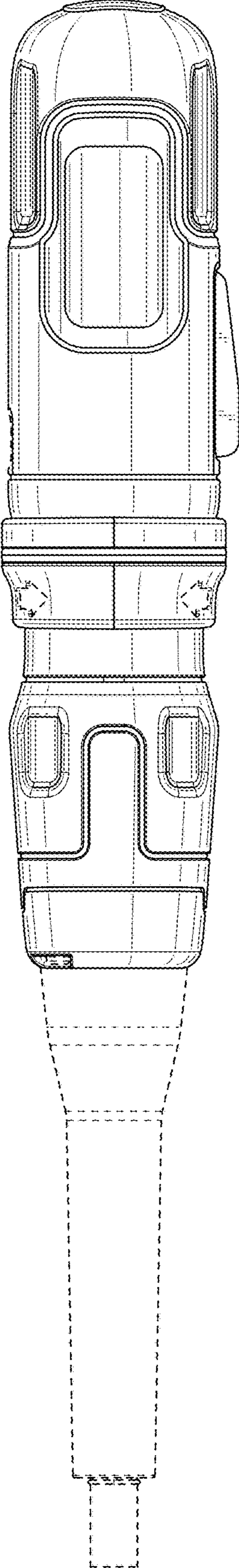


FIG. 4

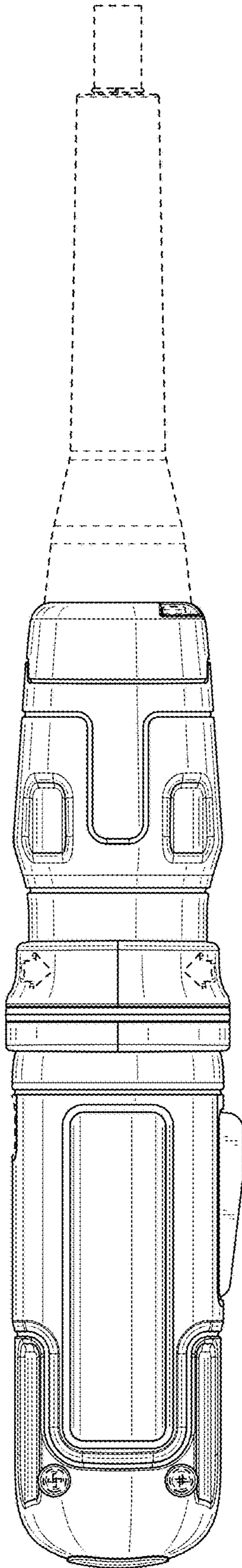


FIG. 5

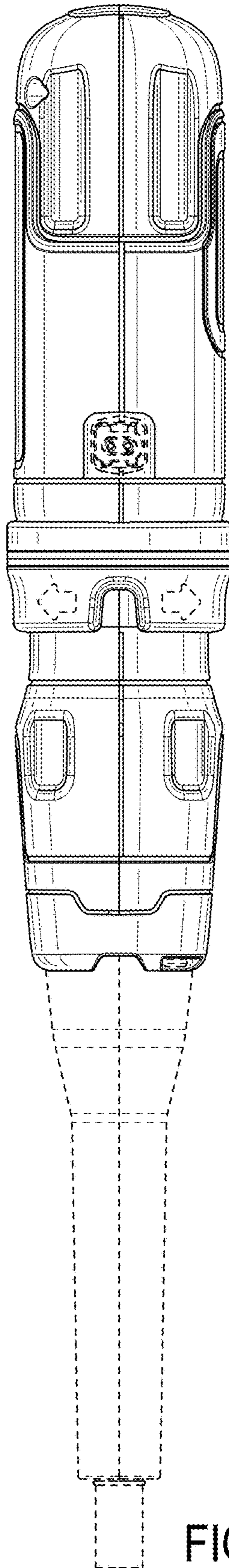


FIG. 6

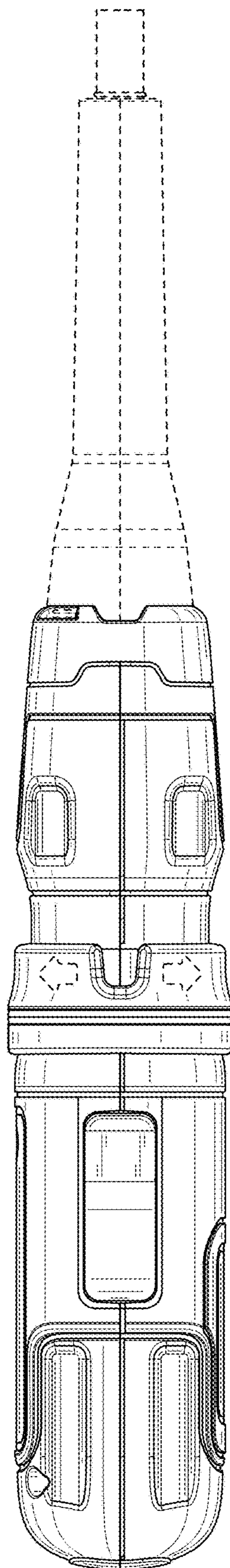


FIG. 7