



US00D865469S

(12) **United States Design Patent**  
**Houghton**

(10) **Patent No.:** **US D865,469 S**

(45) **Date of Patent:** **\*\* Nov. 5, 2019**

(54) **POWERED SCREWDRIVER**

(71) Applicant: **BLACK & DECKER INC.**, New Britain, CT (US)

(72) Inventor: **Stephen Houghton**, New Castle upon Tyne (GB)

(73) Assignee: **Black & Decker Inc.**, New Britain, CT (US)

(\*\*) Term: **15 Years**

(21) Appl. No.: **29/659,149**

(22) Filed: **Aug. 7, 2018**

(30) **Foreign Application Priority Data**

Feb. 23, 2018 (EM) ..... 004723690

(51) **LOC (12) Cl.** ..... **08-01**

(52) **U.S. Cl.**  
USPC ..... **D8/61**

(58) **Field of Classification Search**  
USPC ..... D8/61, 62, 67, 69; 81/57, 57.11, 57.14,  
81/57.26, 429, 464, 469; 173/2, 170,  
173/176, 181

CPC ..... B25B 21/00; F16D 41/206; B25F 5/001  
See application file for complete search history.

(56) **References Cited**

**U.S. PATENT DOCUMENTS**

|              |         |             |       |       |
|--------------|---------|-------------|-------|-------|
| D576,853 S * | 9/2008  | Aglassinger | ..... | D8/61 |
| D580,722 S * | 11/2008 | Chi         | ..... | D8/61 |
| D586,195 S * | 2/2009  | Okuda       | ..... | D8/61 |
| D587,543 S * | 3/2009  | Kokawa      | ..... | D8/61 |
| D593,387 S * | 6/2009  | Liao        | ..... | D8/61 |

|              |         |            |       |                     |
|--------------|---------|------------|-------|---------------------|
| D604,581 S * | 11/2009 | Edwards    | ..... | D8/61               |
| D618,079 S * | 6/2010  | Blythe     | ..... | D8/61               |
| D632,536 S * | 2/2011  | Solar      | ..... | D8/61               |
| D634,998 S * | 3/2011  | Garfield   | ..... | D8/61               |
| D663,180 S * | 7/2012  | Jerome     | ..... | D8/61               |
| D677,540 S * | 3/2013  | Meyers     | ..... | D8/61               |
| D688,109 S * | 8/2013  | Vanderbeek | ..... | D8/61               |
| D689,354 S * | 9/2013  | Mitchell   | ..... | D8/61               |
| D703,017 S * | 4/2014  | Concari    | ..... | B25B 23/14<br>D8/61 |
| D711,714 S * | 8/2014  | Sawaya     | ..... | D8/61               |
| D715,615 S * | 10/2014 | Nagy       | ..... | D8/61               |
| D720,196 S * | 12/2014 | Hsiao      | ..... | D8/61               |
| D755,032 S * | 5/2016  | Martinez   | ..... | D8/61               |
| D768,452 S * | 10/2016 | Padget     | ..... | D8/61               |
| D794,407 S * | 8/2017  | Markwald   | ..... | D8/61               |

\* cited by examiner

*Primary Examiner* — Austin Murphy

(74) *Attorney, Agent, or Firm* — Stephen R. Valancius

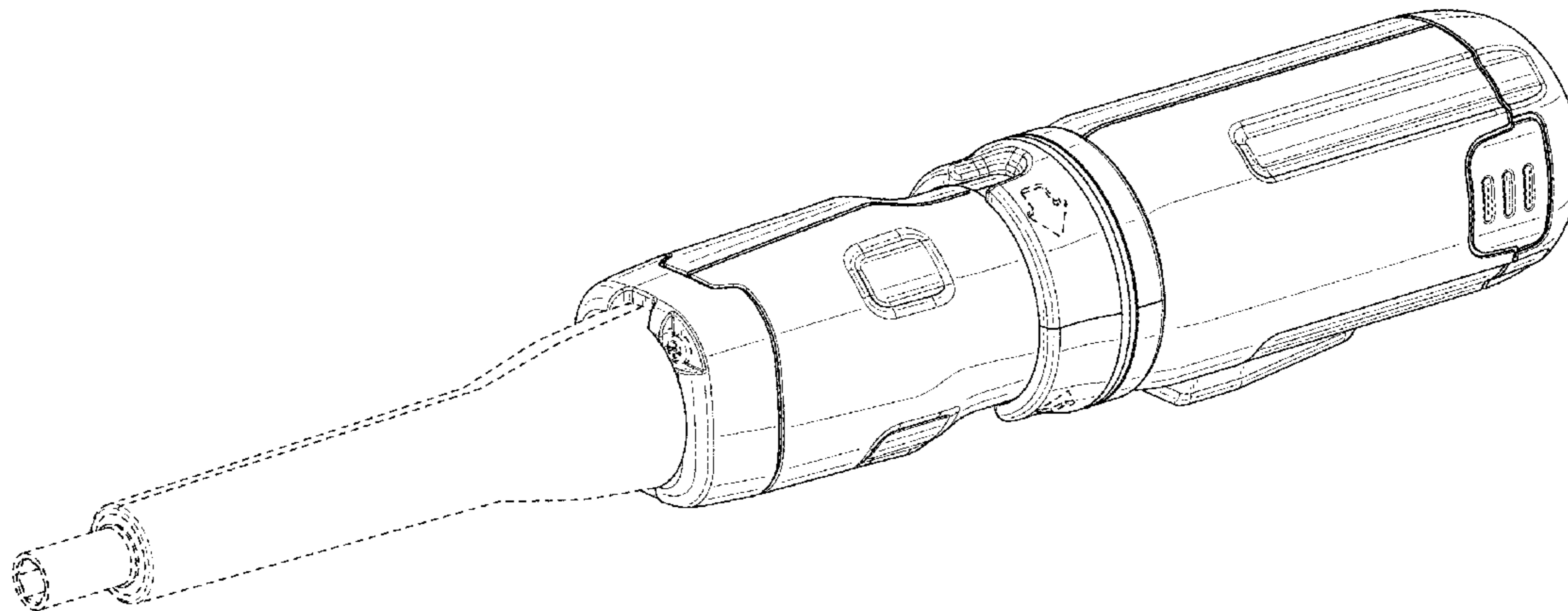
(57) **CLAIM**

The ornamental design for a powered screwdriver, as shown and described.

**DESCRIPTION**

FIG. 1 is a perspective view of a powered screwdriver showing my new design;  
FIG. 2 is a front view thereof  
FIG. 3 is a rear view thereof;  
FIG. 4 is a left side view thereof;  
FIG. 5 is a right side view thereof;  
FIG. 6 is a top plan view thereof; and,  
FIG. 7 is a bottom plan view thereof.  
In the above drawings, the broken lines and the areas within the broken lines form no part of the claimed design.

**1 Claim, 7 Drawing Sheets**



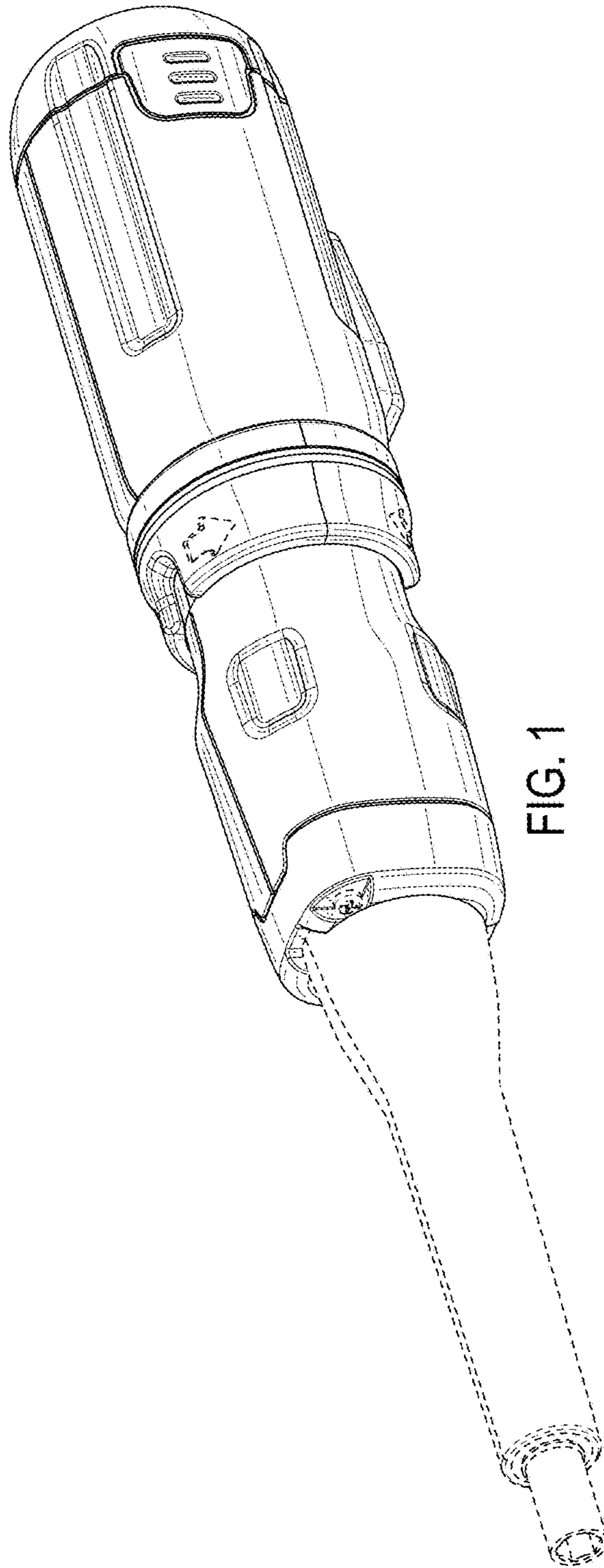


FIG. 1

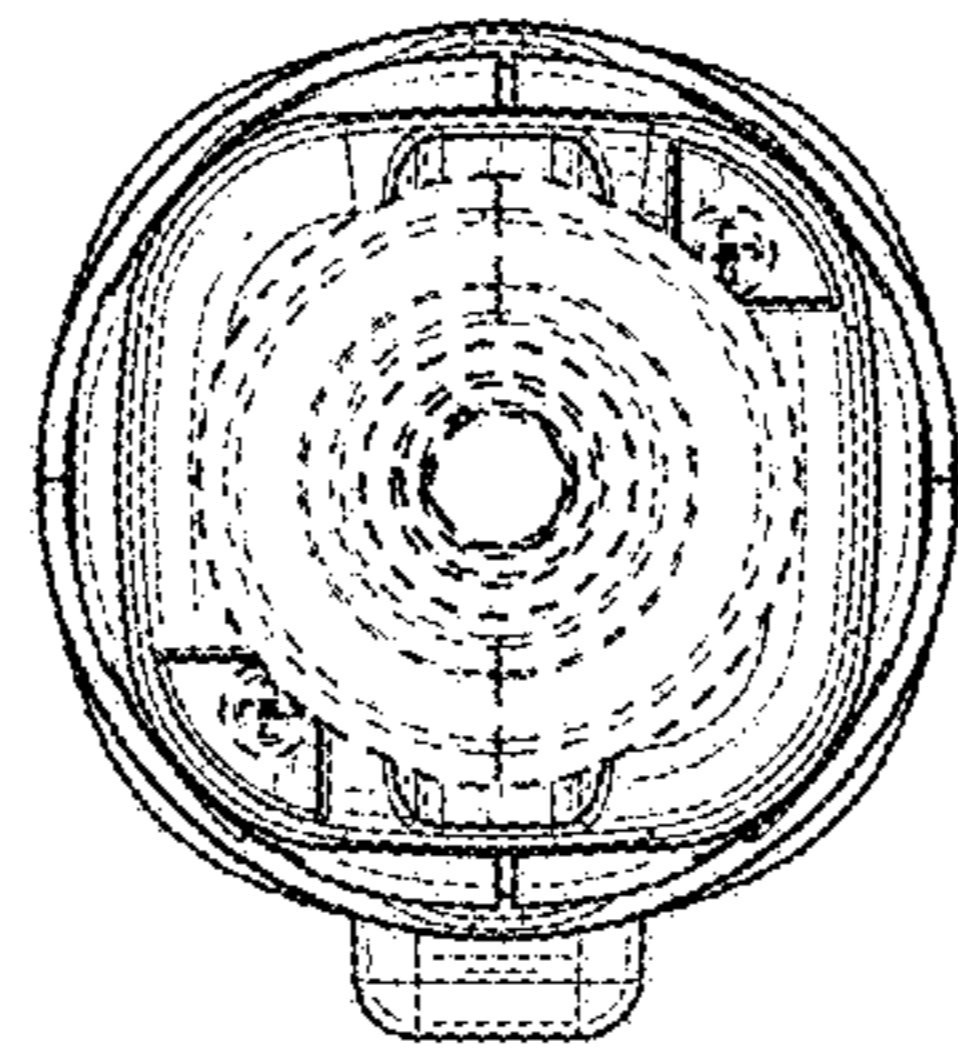


FIG. 2

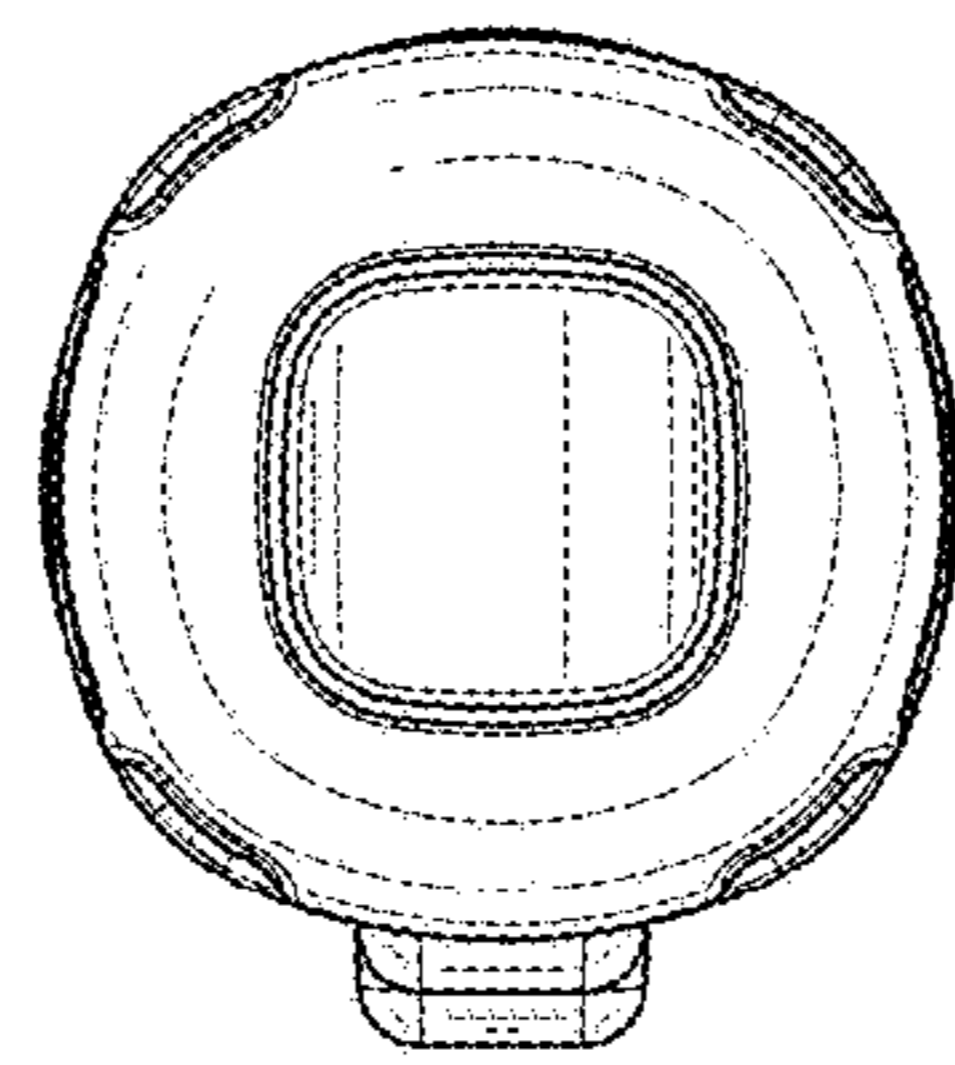


FIG. 3

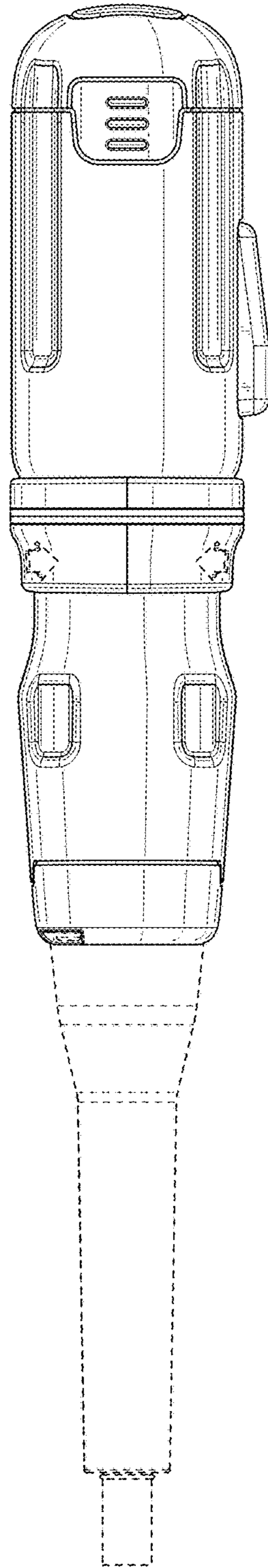


FIG. 4

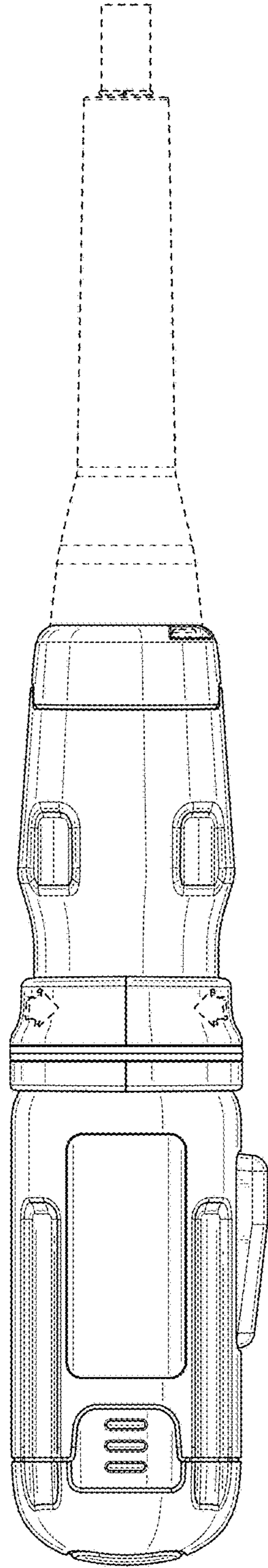


FIG. 5

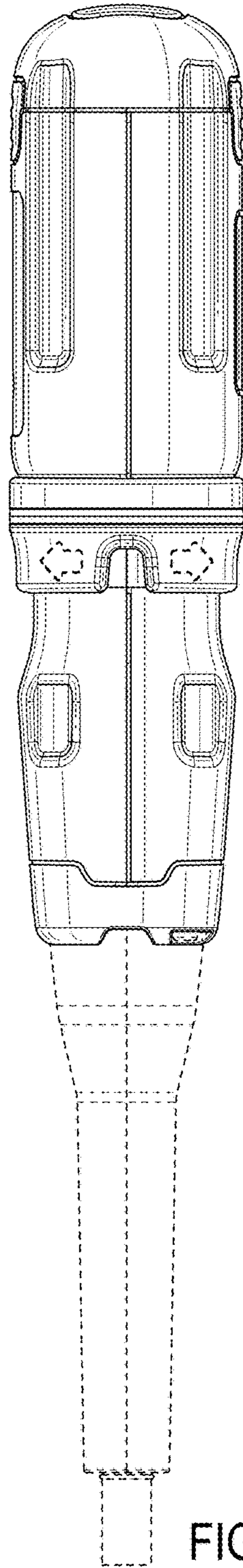


FIG. 6

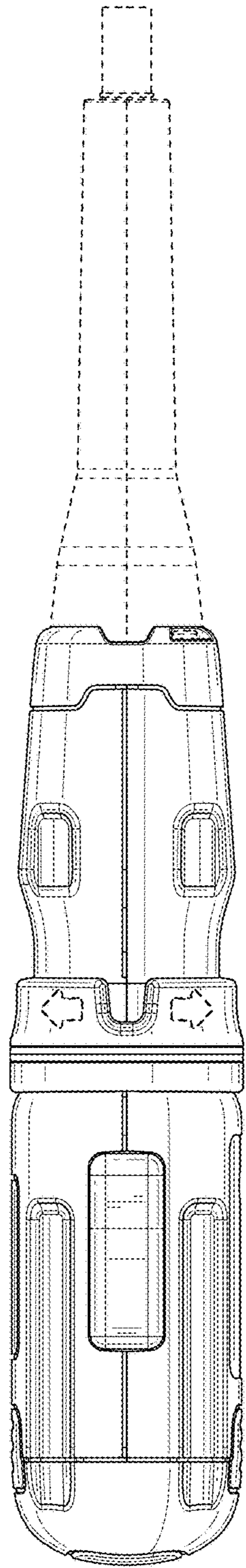


FIG. 7