



US00D865468S

(12) **United States Design Patent** (10) **Patent No.:** **US D865,468 S**
Tsai (45) **Date of Patent:** **** Nov. 5, 2019**

(54) **LOCKABLE PAIR OF ANGLED PLIERS**
(71) Applicant: **Chien Yu Hong Co., Ltd.**, Taichung (TW)
(72) Inventor: **Chang-Ta Tsai**, Taichung (TW)
(73) Assignee: **Chien Yu Hong Co., Ltd.**, Taichung (TW)
(**) Term: **15 Years**
(21) Appl. No.: **29/664,382**
(22) Filed: **Sep. 25, 2018**
(51) **LOC (12) Cl.** **08-05**
(52) **U.S. Cl.**
USPC **D8/52**
(58) **Field of Classification Search**
USPC D8/1, 4, 5, 7, 9, 51, 52, 54, 56, 58, 60
CPC B25B 7/00; B25B 7/02; B25B 7/04; B25B 7/06; B25B 7/08; B25B 7/10; B25B 7/123; B25B 7/16; B25B 25/005; H01R 43/22
See application file for complete search history.

10,016,882 B1 * 7/2018 Lai B25B 25/005
2008/0041198 A1 * 2/2008 Wu B25B 7/04 81/486
2010/0058895 A1 * 3/2010 Wu B25B 7/123 81/9.3
2010/0101379 A1 * 4/2010 Hofmann B25B 7/02 81/423
2010/0107823 A1 * 5/2010 Wu B25B 7/123 81/9.3
2013/0228046 A1 * 9/2013 Wu B25B 7/02 81/9.3
2015/0202745 A1 * 7/2015 Chen B25B 7/16 81/319
2015/0303638 A1 * 10/2015 Collie H01R 43/22 81/420

* cited by examiner

Primary Examiner — Sheryl Lane
Assistant Examiner — Ieisha N Price
(74) *Attorney, Agent, or Firm* — Alan D. Kamrath; Mayer & Williams PC

(57) **CLAIM**

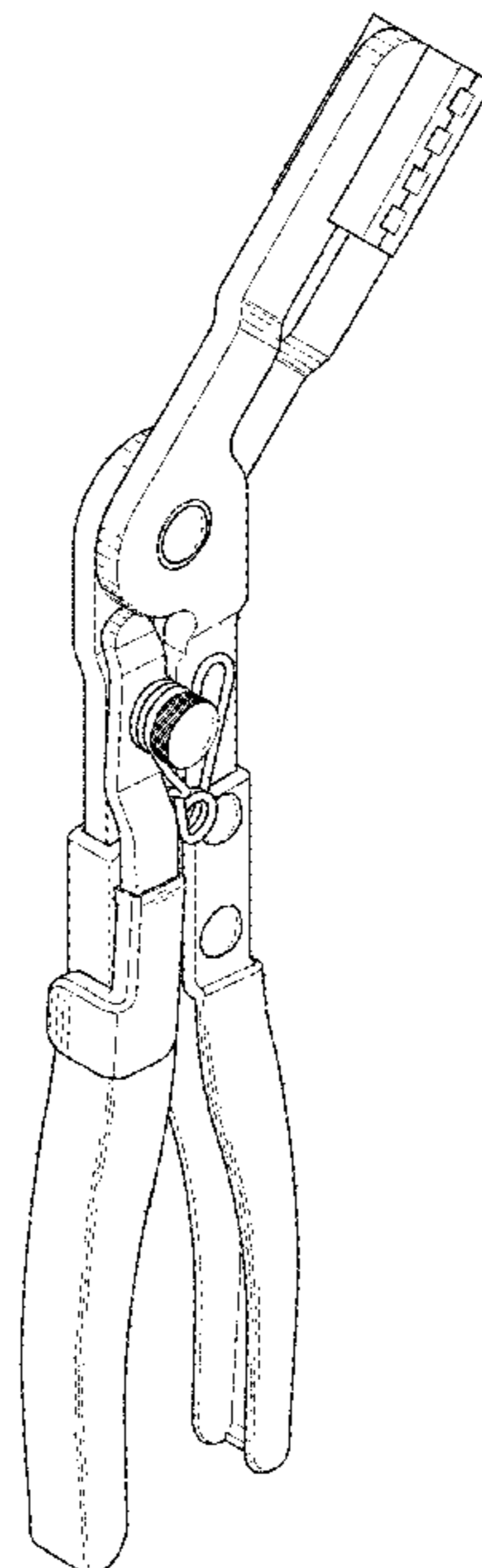
The ornamental design for a lockable pair of angled pliers, as shown.

DESCRIPTION

FIG. 1 is a perspective view of a lockable pair of angled pliers showing my new design; FIG. 2 is a front view thereof; FIG. 3 is a rear view thereof; FIG. 4 is a left view thereof; FIG. 5 is a right view thereof; FIG. 6 is a top view thereof; and, FIG. 7 is a bottom view thereof.

1 Claim, 5 Drawing Sheets

(56) **References Cited**
U.S. PATENT DOCUMENTS
D245,751 S * 9/1977 Wiener D8/52
D406,031 S * 2/1999 Toshima D8/52
6,412,375 B1 * 7/2002 Wang B25B 7/02 254/18
D715,121 S * 10/2014 Lai D8/52
D715,122 S * 10/2014 Lai D8/52
D766,683 S * 9/2016 West D8/4
D775,914 S * 1/2017 Robinson D8/52
D775,915 S * 1/2017 Robinson D8/52



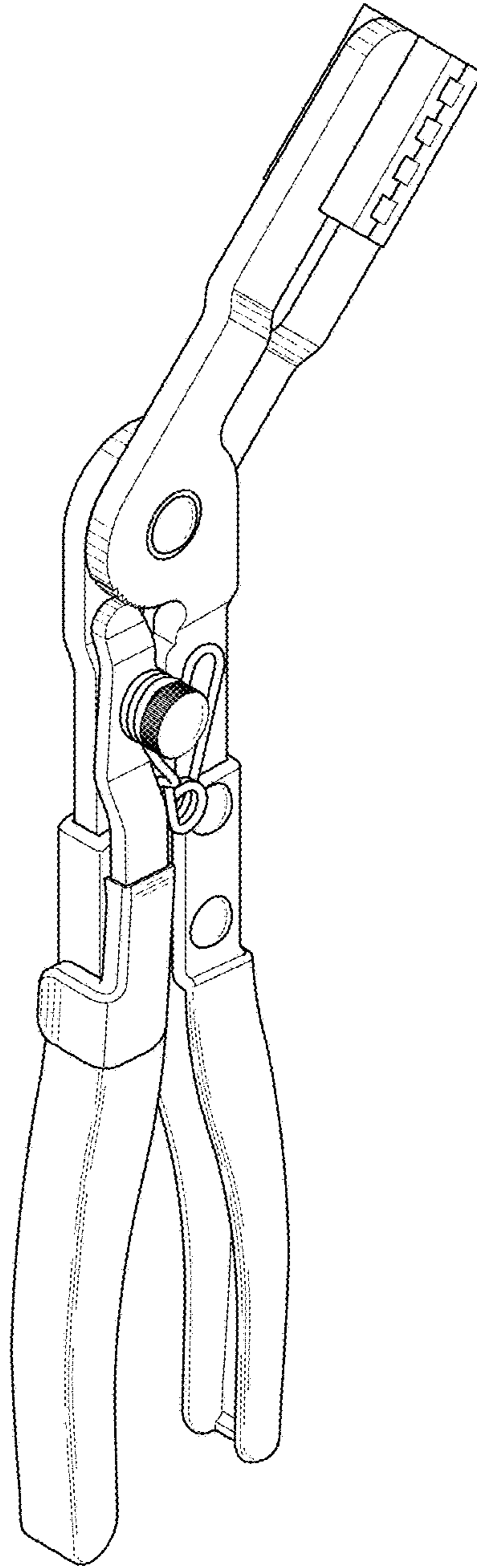


FIG. 1

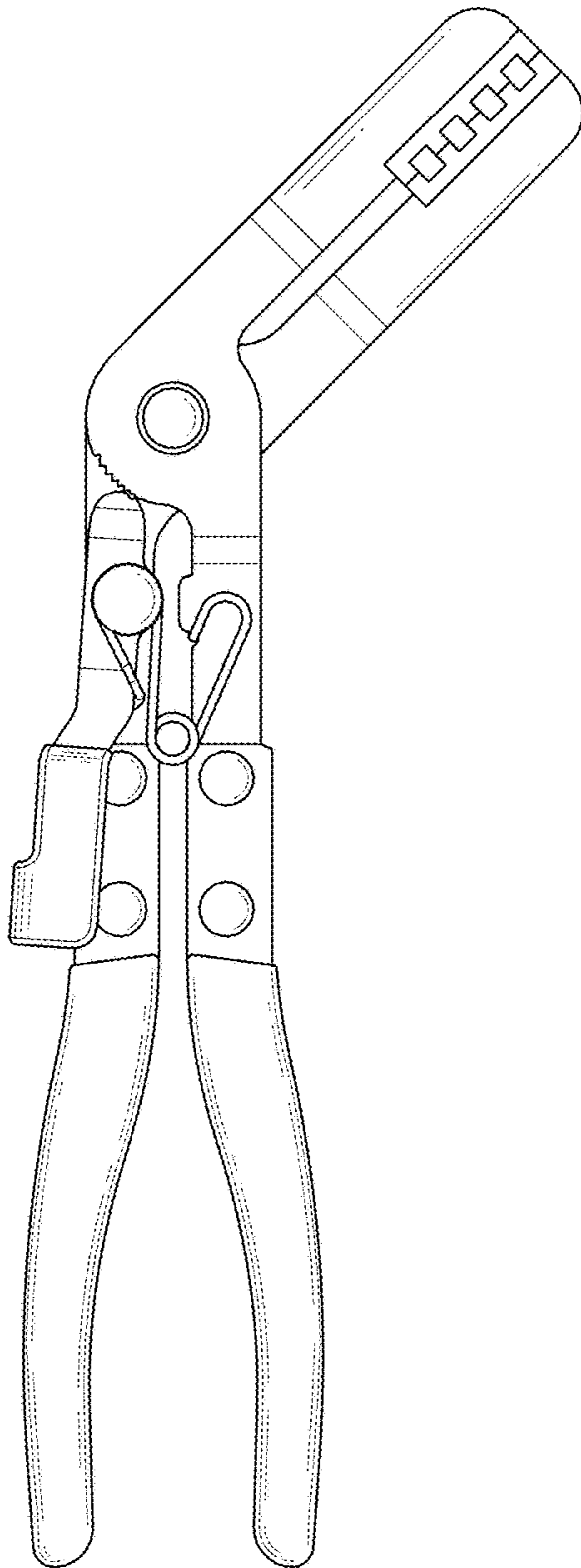


FIG. 2

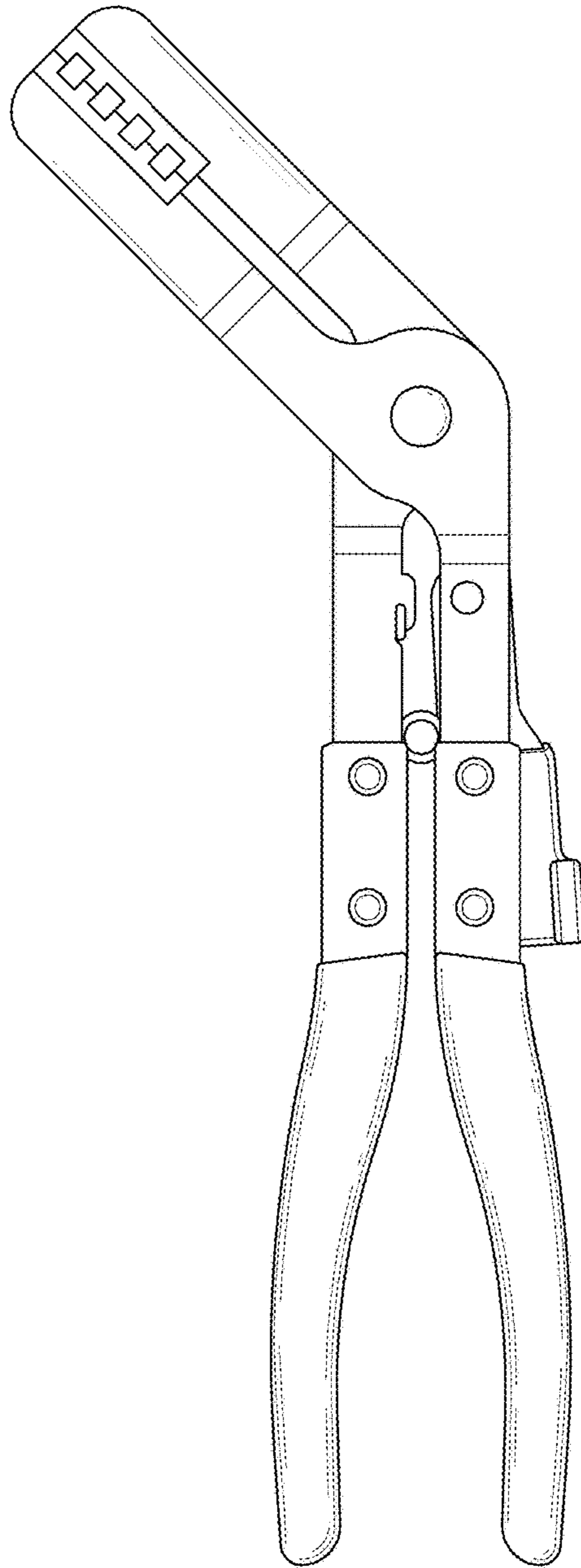


FIG. 3

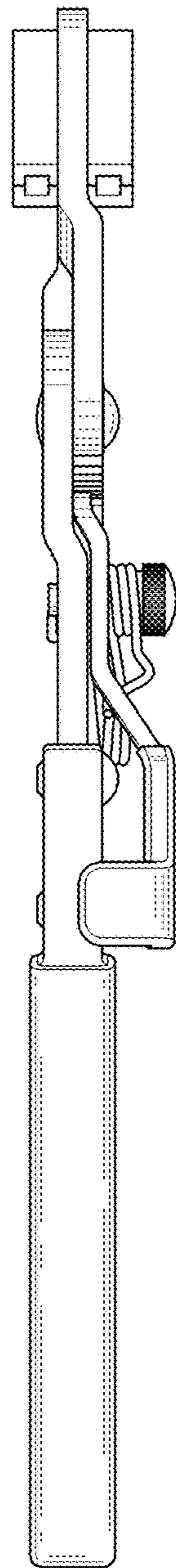


FIG. 4

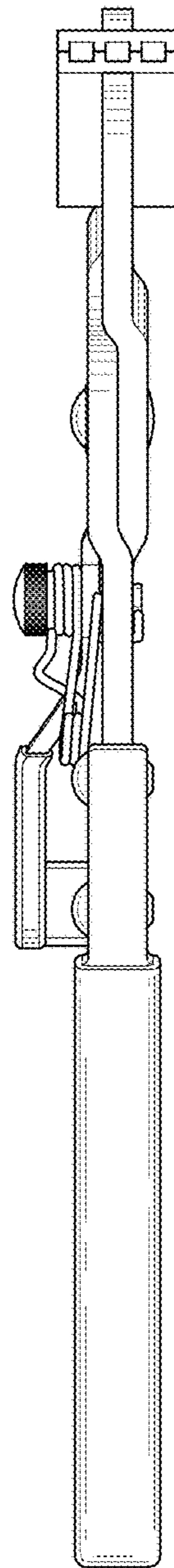


FIG. 5

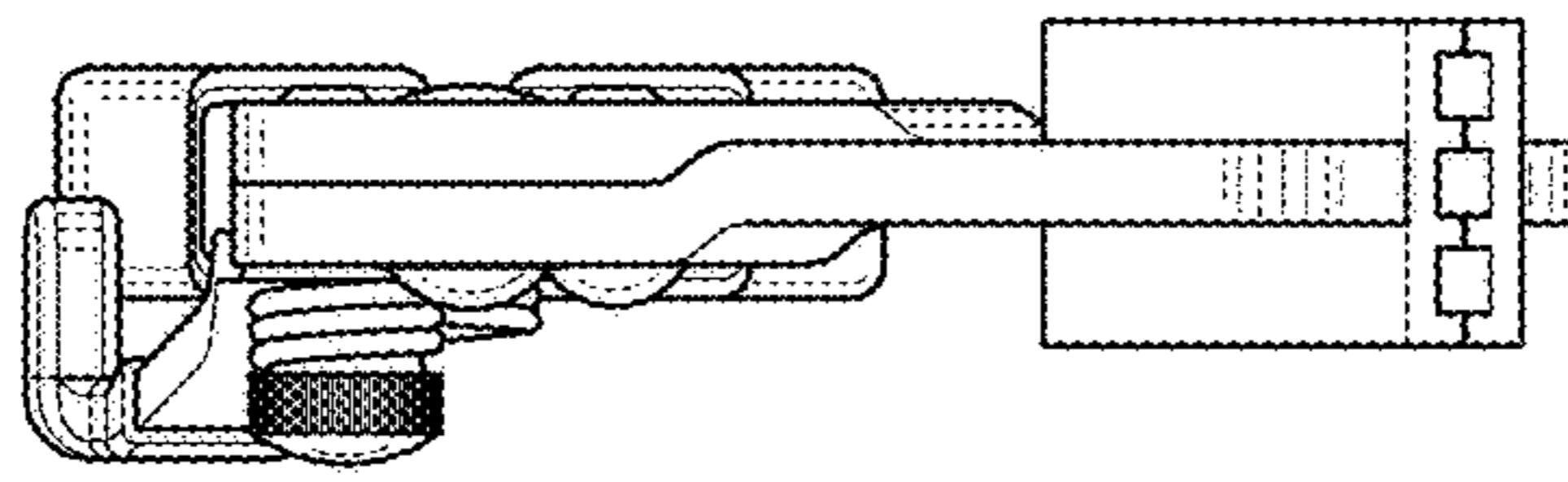


FIG. 6

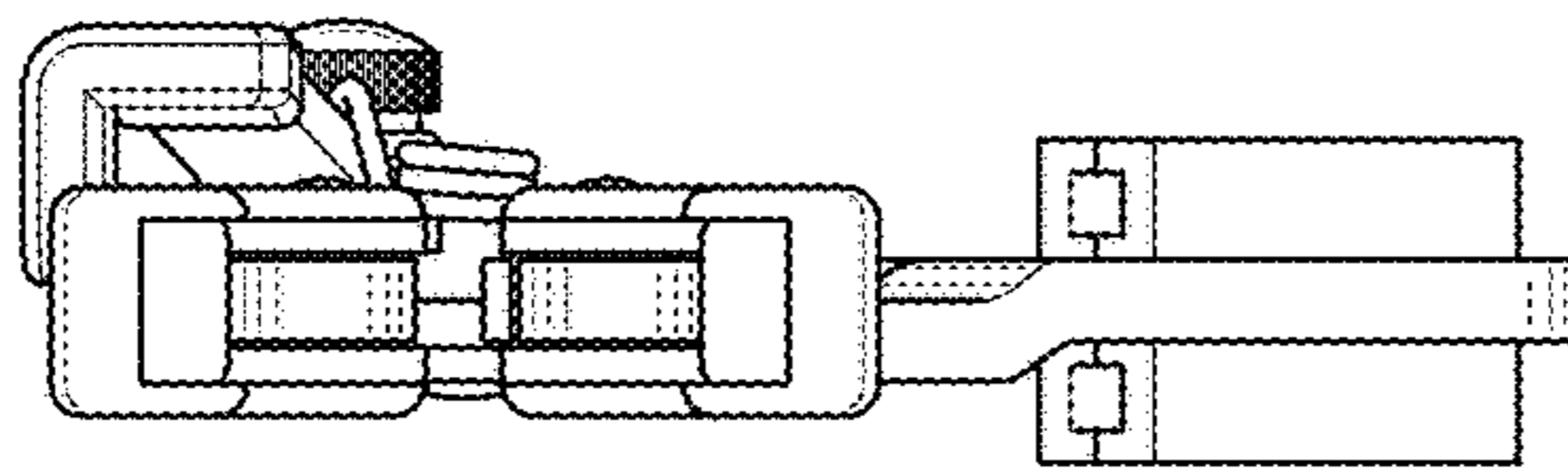


FIG. 7