



US00D865467S

(12) **United States Design Patent** (10) **Patent No.:** **US D865,467 S**
Tsai (45) **Date of Patent:** **** Nov. 5, 2019**

(54) **EXTENDABLE LOCKABLE PLIERS**
(71) Applicant: **Chien Yu Hong Co., Ltd.**, Taichung (TW)
(72) Inventor: **Chang-Ta Tsai**, Taichung (TW)
(73) Assignee: **Chien Yu Hong Co., Ltd.**, Taichung (TW)
(**) Term: **15 Years**
(21) Appl. No.: **29/650,483**
(22) Filed: **Jun. 7, 2018**
(51) **LOC (12) Cl.** **08-05**
(52) **U.S. Cl.**
USPC **D8/52**
(58) **Field of Classification Search**
USPC D8/1, 4, 5, 7, 9, 51, 52, 54, 56, 58, 60
CPC B25B 7/00; B25B 7/02; B25B 7/04; B25B 7/06; B25B 7/08; B25B 7/10; B25B 7/123; B25B 7/16; B25B 25/005; H01R 43/22
See application file for complete search history.

(56) **References Cited**
U.S. PATENT DOCUMENTS
273,382 A * 3/1883 Packham B25B 7/02 72/409.19
D245,751 S * 9/1977 Wiener D8/52
4,708,034 A * 11/1987 Oetiker B25B 7/00 81/9.3
D392,167 S * 3/1998 Cockrell D8/22
D406,031 S * 2/1999 Toshima D8/52
6,412,375 B1 * 7/2002 Wang B25B 7/02 254/18
D596,910 S * 7/2009 Whitehead D8/52
D715,121 S * 10/2014 Lai D8/52
D715,122 S * 10/2014 Lai D8/52
D758,816 S * 6/2016 Sonne D8/52

D766,683 S * 9/2016 West D8/4
D775,914 S * 1/2017 Robinson D8/52
D775,915 S * 1/2017 Robinson D8/52
10,016,882 B1 * 7/2018 Lai B25B 25/005
D848,807 S * 5/2019 Chen D8/52
2008/0041198 A1 * 2/2008 Wu B25B 7/04 81/486
2009/0007734 A1 * 1/2009 Lulewicz B25B 7/00 81/415
2009/0064823 A1 * 3/2009 Huang B25B 25/005 81/9.3
2010/0058895 A1 * 3/2010 Wu B25B 7/123 81/9.3
2010/0101379 A1 * 4/2010 Hofmann B25B 7/02 81/423
2010/0107823 A1 * 5/2010 Wu B25B 7/123 81/9.3
2013/0228046 A1 * 9/2013 Wu B25B 7/02 81/9.3
2015/0202745 A1 * 7/2015 Chen B25B 7/16 81/319

(Continued)

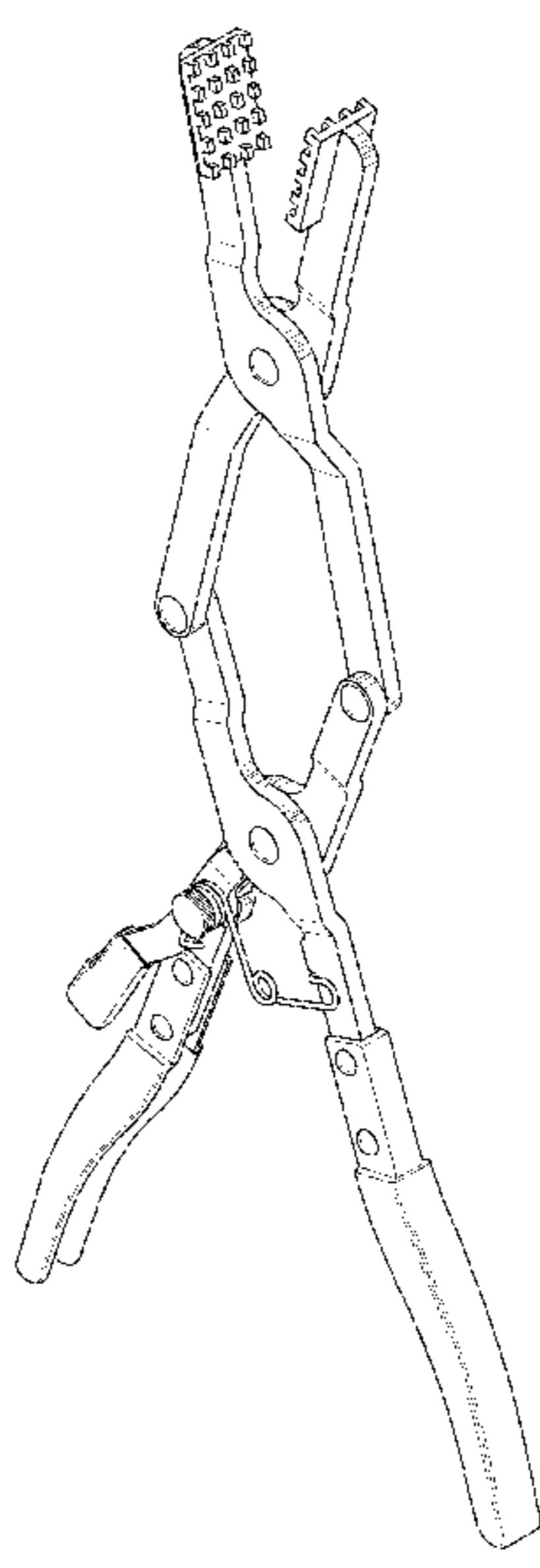
Primary Examiner — Sheryl Lane
Assistant Examiner — Ieisha N Price
(74) *Attorney, Agent, or Firm* — Alan D. Kamrath; Karin L. Williams; Mayer & Williams PC

(57) **CLAIM**
The ornamental design for extendable lockable pliers, as shown.

DESCRIPTION

FIG. 1 is a perspective view of extendable lockable pliers showing my new design;
FIG. 2 is a front view thereof;
FIG. 3 is a rear view thereof;
FIG. 4 is a left view thereof;
FIG. 5 is a right view thereof;
FIG. 6 is a top view thereof; and,
FIG. 7 is a bottom view thereof.

1 Claim, 6 Drawing Sheets



(56)

References Cited

U.S. PATENT DOCUMENTS

2015/0303638 A1* 10/2015 Collie H01R 43/22
81/420

* cited by examiner

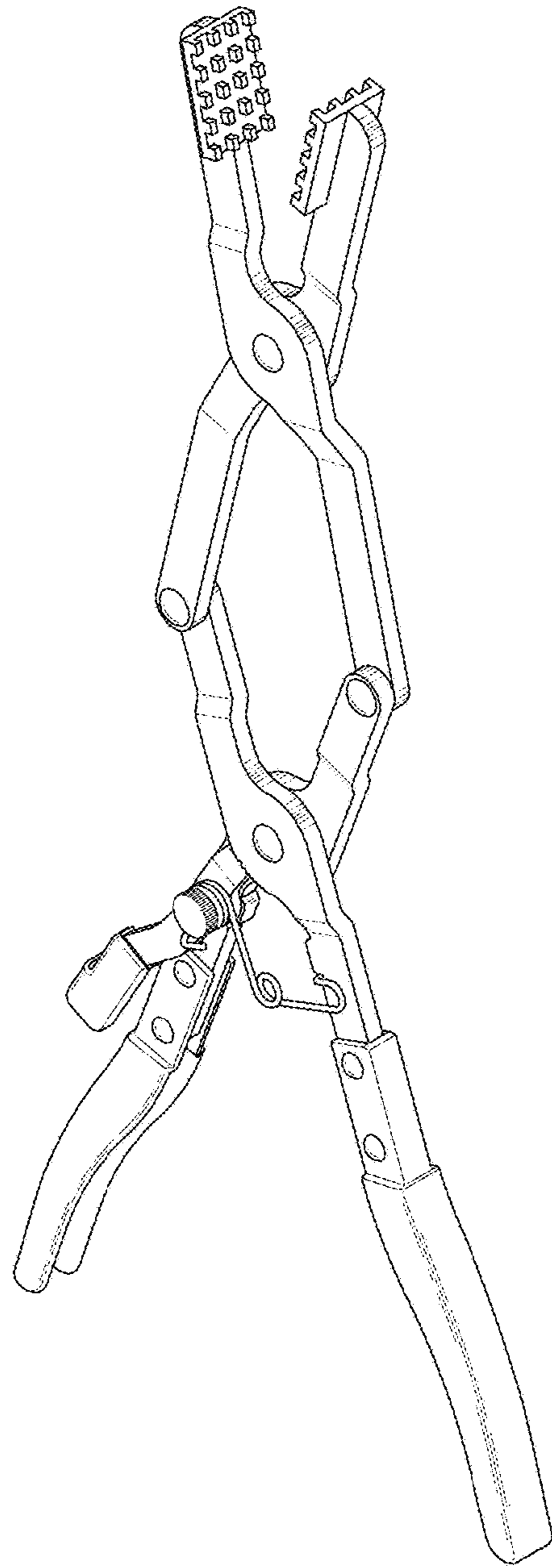


FIG.1

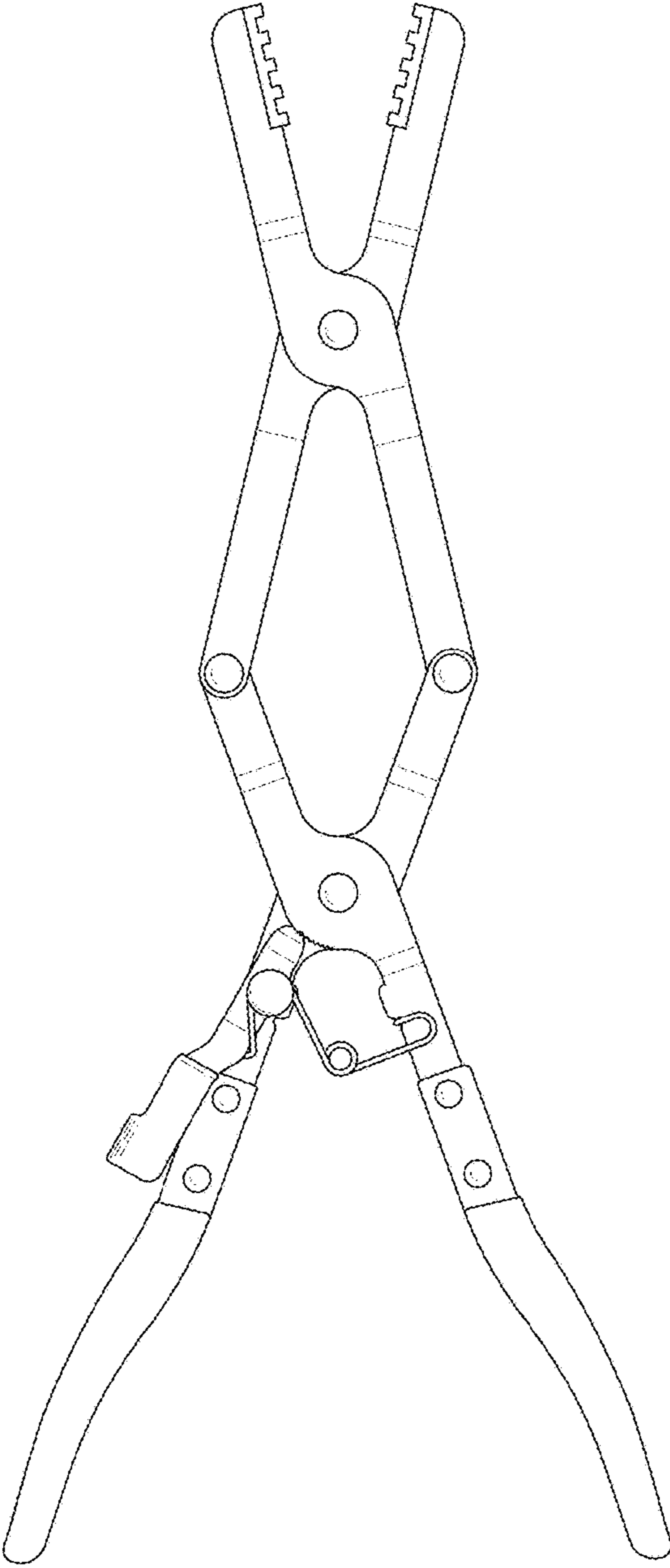


FIG.2

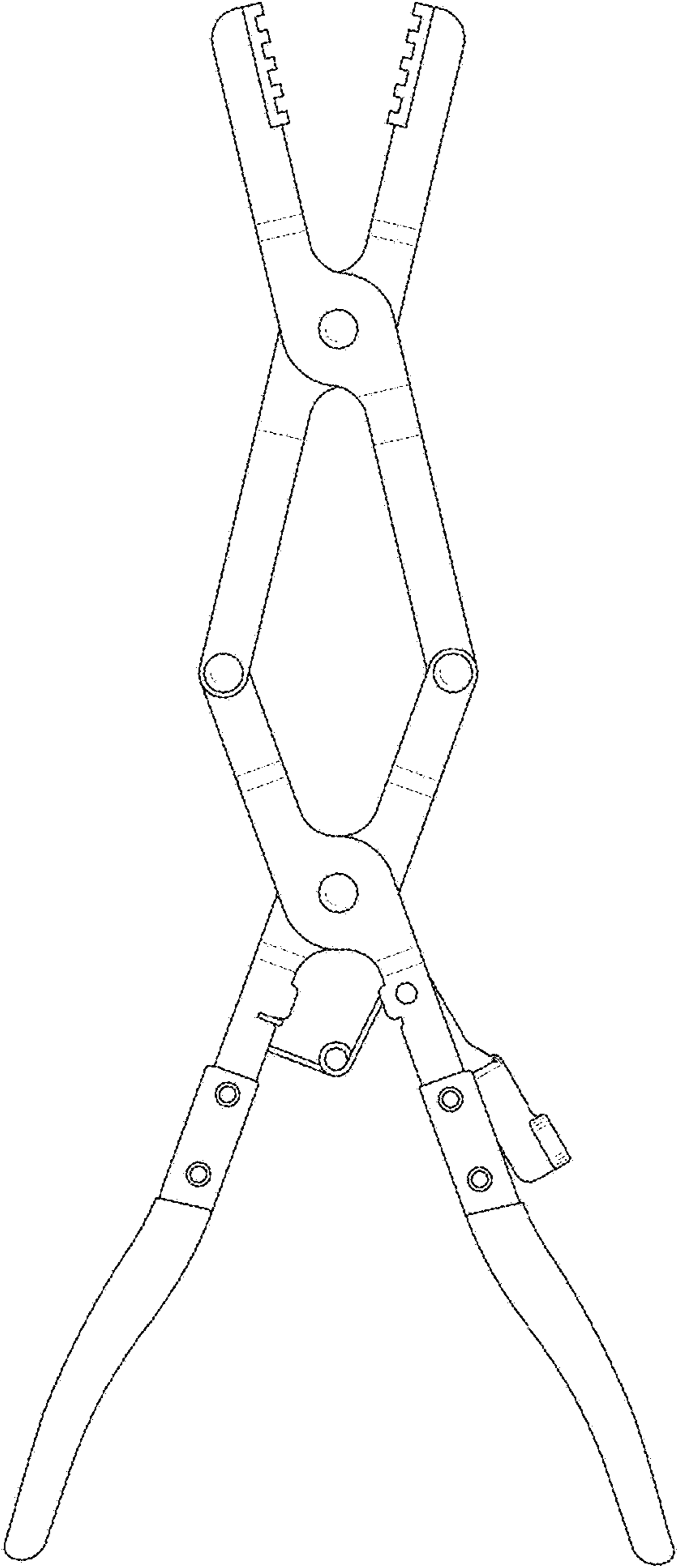


FIG.3

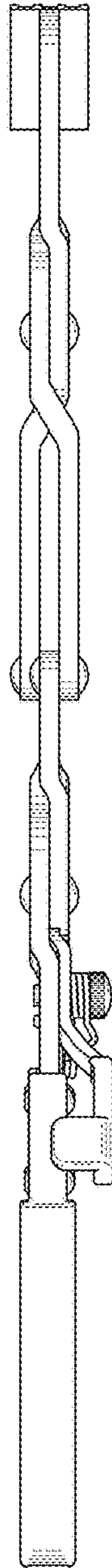


FIG. 4

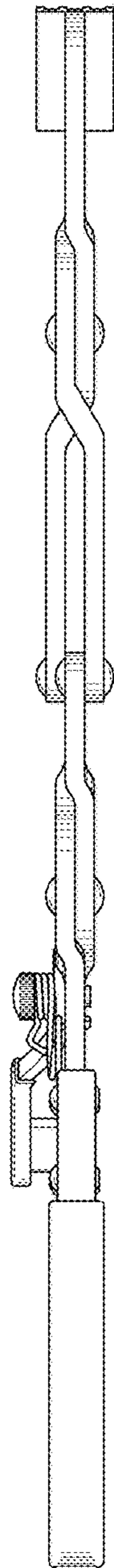


FIG.5

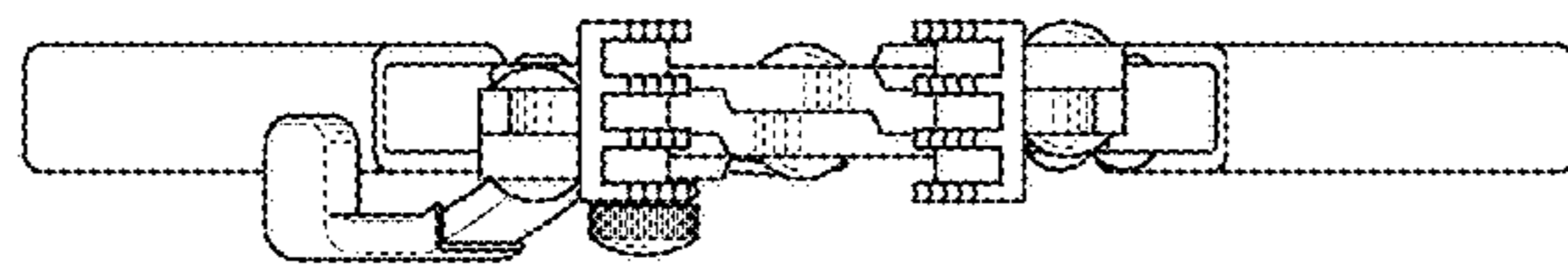


FIG.6

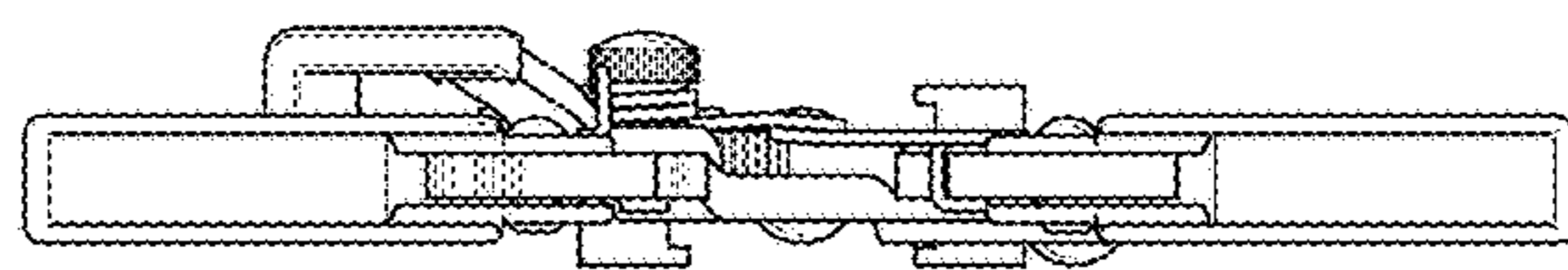


FIG.7