



US00D865466S

(12) **United States Design Patent** (10) **Patent No.:** **US D865,466 S**
Tsai (45) **Date of Patent:** **** Nov. 5, 2019**

(54) **EXTENDABLE LOCKABLE ANGLED PLIERS**

(71) Applicant: **Chien Yu Hong Co., Ltd.**, Taichung (TW)

(72) Inventor: **Chang-Ta Tsai**, Taichung (TW)

(73) Assignee: **Chien Yu Hong Co., Ltd.**, Taichung (TW)

(**) Term: **15 Years**

(21) Appl. No.: **29/650,477**

(22) Filed: **Jun. 7, 2018**

(51) **LOC (12) Cl.** **08-05**

(52) **U.S. Cl.**
USPC **D8/52**

(58) **Field of Classification Search**
USPC D8/1, 4, 5, 7, 9, 51, 52, 54, 56, 58, 60
CPC B25B 7/00; B25B 7/02; B25B 7/04; B25B 7/06; B25B 7/08; B25B 7/10; B25B 7/123; B25B 7/16; B25B 25/005; H01R 43/22

See application file for complete search history.

(56) **References Cited**

U.S. PATENT DOCUMENTS

D245,751 S *	9/1977	Wiener	D8/52
D392,167 S *	3/1998	Cockrell	D8/22
D406,031 S *	2/1999	Toshima	D8/52
6,412,375 B1 *	7/2002	Wang	B25B 7/02 254/18
D715,121 S *	10/2014	Lai	D8/52
D715,122 S *	10/2014	Lai	D8/52
D766,683 S *	9/2016	West	D8/4
D775,914 S *	1/2017	Robinson	D8/52
D775,915 S *	1/2017	Robinson	D8/52

10,016,882 B1 *	7/2018	Lai	B25B 25/005
D848,807 S *	5/2019	Chen	D8/52
2008/0041198 A1 *	2/2008	Wu	B25B 7/04 81/486
2010/0058895 A1 *	3/2010	Wu	B25B 7/123 81/9.3
2010/0101379 A1 *	4/2010	Hofmann	B25B 7/02 81/423
2010/0107823 A1 *	5/2010	Wu	B25B 7/123 81/9.3
2013/0228046 A1 *	9/2013	Wu	B25B 7/02 81/9.3
2015/0202745 A1 *	7/2015	Chen	B25B 7/16 81/319
2015/0303638 A1 *	10/2015	Collie	H01R 43/22 81/420

* cited by examiner

Primary Examiner — Sheryl Lane
Assistant Examiner — Ieisha N Price
(74) *Attorney, Agent, or Firm* — Alan D. Kamrath; Karin L. Williams; Mayer & Williams PC

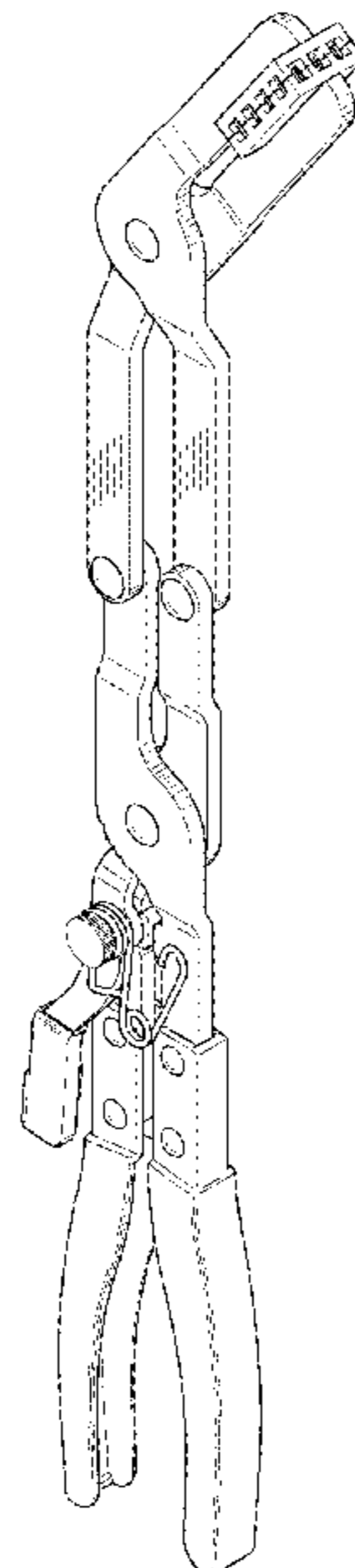
(57) **CLAIM**

The ornamental design for extendable lockable angled pliers, as shown and described.

DESCRIPTION

FIG. 1 is a perspective view of extendable lockable angled pliers showing my new design; FIG. 2 is a front view thereof; FIG. 3 is a rear view thereof; FIG. 4 is a left view thereof; FIG. 5 is a right view thereof; FIG. 6 is a top view thereof; FIG. 7 is a bottom view thereof; and, FIG. 8 is a perspective view in a condition of use thereof.

1 Claim, 7 Drawing Sheets



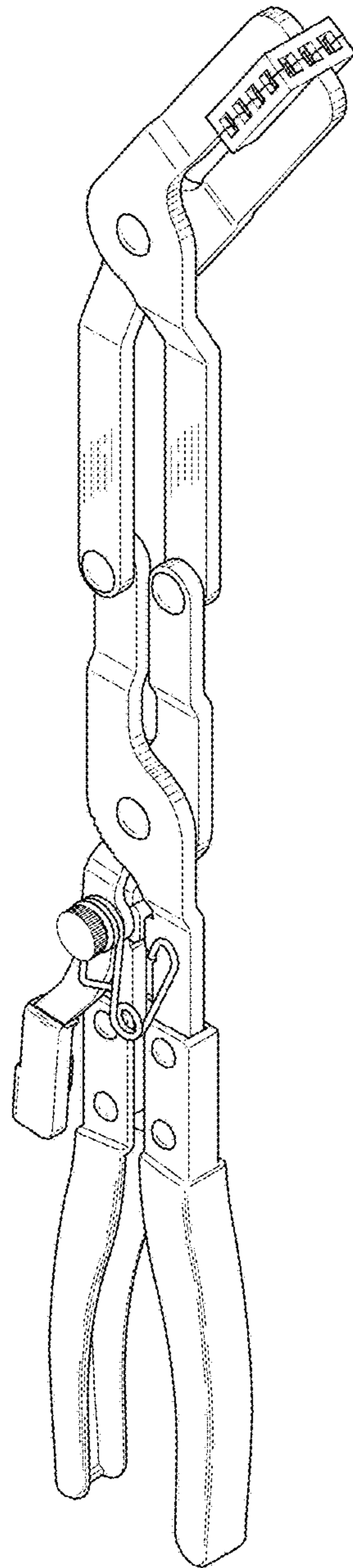


FIG.1

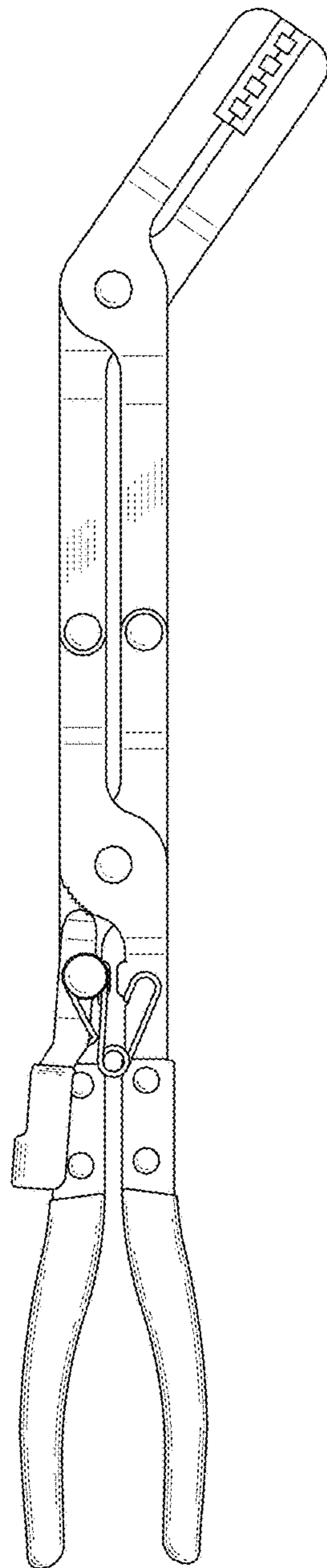


FIG. 2

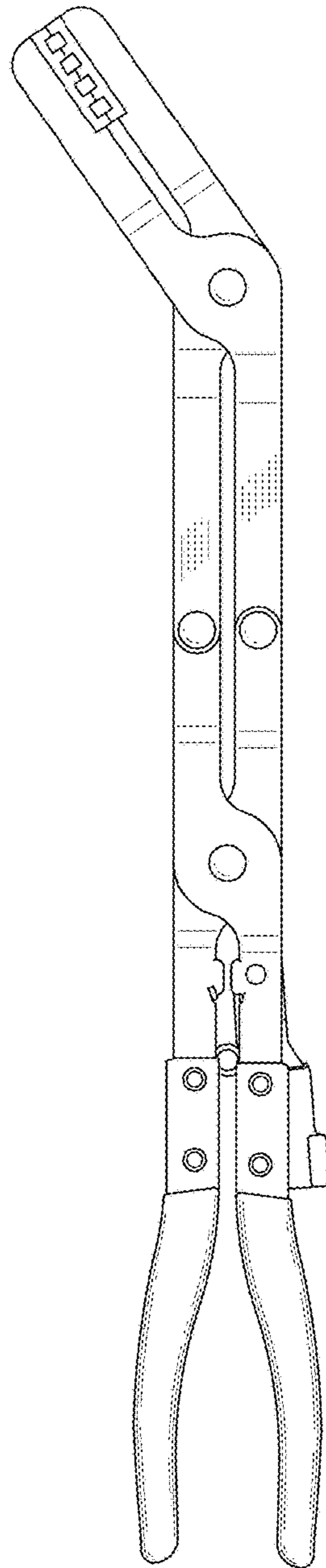


FIG.3

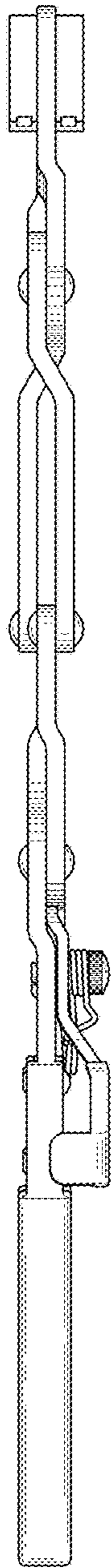


FIG.4

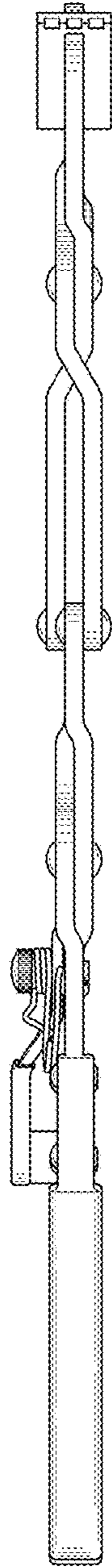


FIG.5

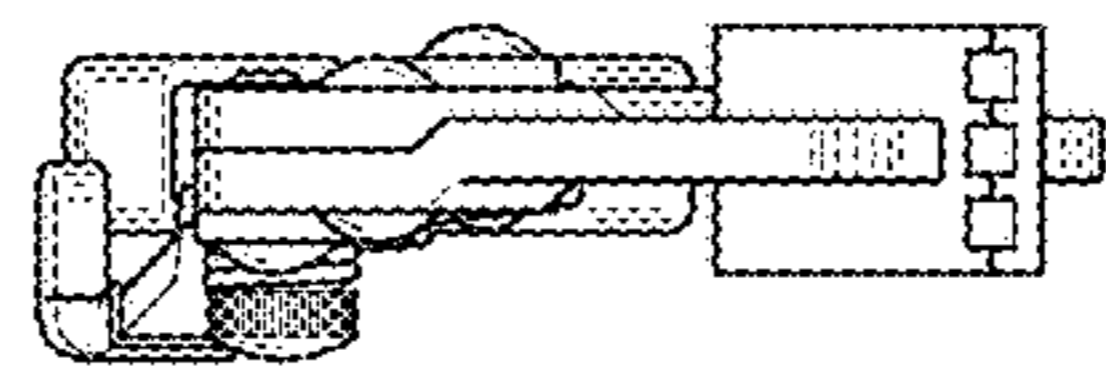


FIG. 6

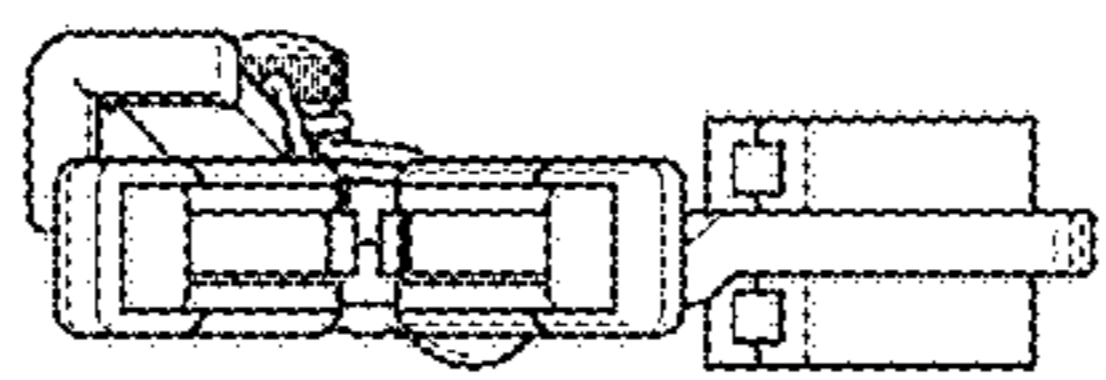


FIG. 7

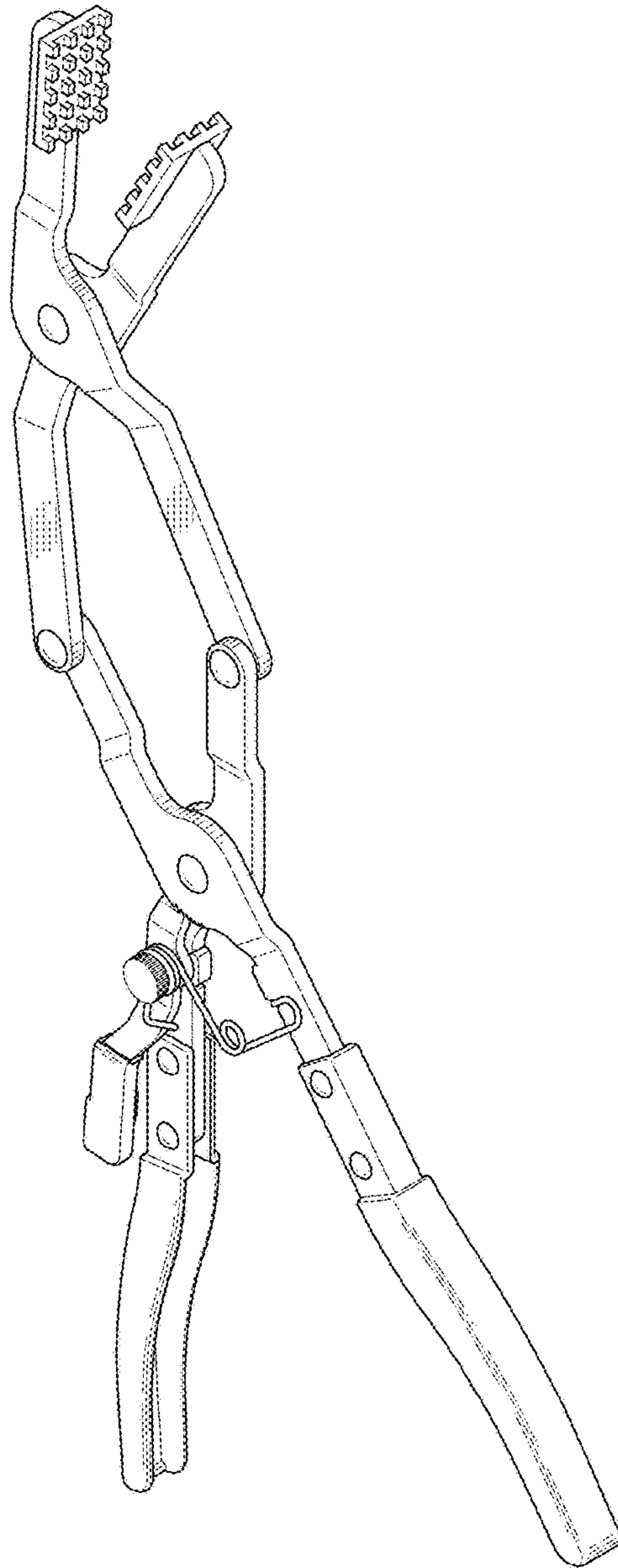


FIG.8