



US00D865464S

(12) **United States Design Patent**
Brouillac

(10) **Patent No.:** **US D865,464 S**

(45) **Date of Patent:** **** Nov. 5, 2019**

(54) **CORKSCREW**

(71) Applicant: **PSP, Quingey (FR)**

(72) Inventor: **Nicolas Brouillac, Quingey (FR)**

(73) Assignee: **PSP, Quingey (FR)**

(**) Term: **15 Years**

(21) Appl. No.: **29/639,402**

(22) Filed: **Mar. 6, 2018**

(30) **Foreign Application Priority Data**

Sep. 6, 2017 (EM) 004244739-0007

(51) **LOC (12) Cl.** **07-06**

(52) **U.S. Cl.**
USPC **D8/42**

(58) **Field of Classification Search**
USPC D8/18, 33-43; D7/532
CPC B67B 7/00; B67B 7/0441; B67B 7/12;
B67B 7/14; B67B 7/16; B67B 7/18;
B67B 7/24; B67B 7/30; B67B 7/34;
B67B 7/40; B67B 7/406; B67B 7/44
See application file for complete search history.

(56) **References Cited**

U.S. PATENT DOCUMENTS

- 181,147 A * 8/1876 Decker B67B 7/0441
81/3.29
- 401,672 A * 4/1889 Alvord et al. B67B 7/0441
81/3.29
- 547,478 A * 10/1895 Brown B67B 7/0441
81/3.29
- 884,873 A * 4/1908 Stanton B67B 7/0441
81/3.29
- D120,134 S * 4/1940 Morrison D7/532
- 2,342,156 A * 2/1944 Miller B67B 7/0441
81/3.29
- D146,833 S * 5/1947 Peterson D8/42

- 2,522,219 A * 9/1950 Gaeta B67B 7/0441
81/3.29
- D234,110 S * 1/1975 Achenbach D7/532
- 4,572,034 A * 2/1986 Lee B67B 7/0441
81/3.29
- 4,658,678 A * 4/1987 Pracht B67B 7/0441
81/3.29
- D358,744 S * 5/1995 Entwistle 81/329
- D364,324 S * 11/1995 Entwistle D8/42
- D366,198 S * 1/1996 Laib D8/42
- D389,712 S * 1/1998 Usbeck D8/40
- D397,010 S * 8/1998 Usbeck 7/155
- D412,094 S * 7/1999 Weibel D8/42
- 6,431,028 B2 * 8/2002 So B67B 7/0441
81/3.29
- 6,546,831 B2 * 4/2003 So B67B 7/0441
81/3.29
- D475,261 S 6/2003 Lee
(Continued)

Primary Examiner — Elizabeth A. Albert
(74) *Attorney, Agent, or Firm* — Craft Chu PLLC;
Andrew W. Chu

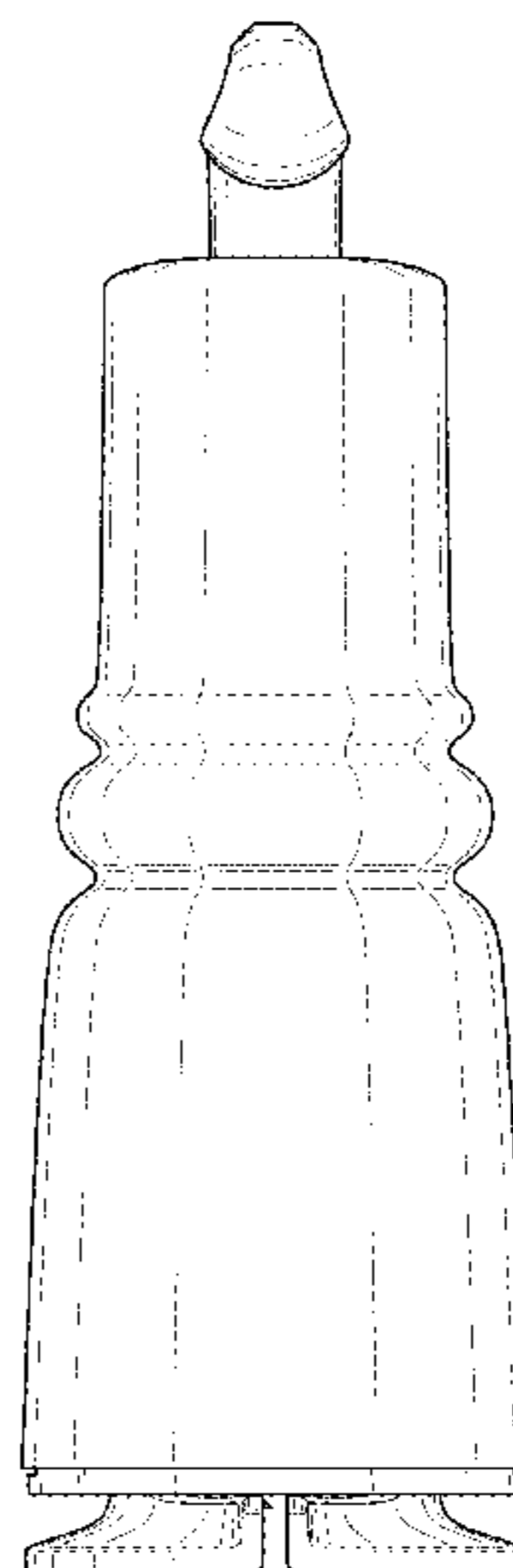
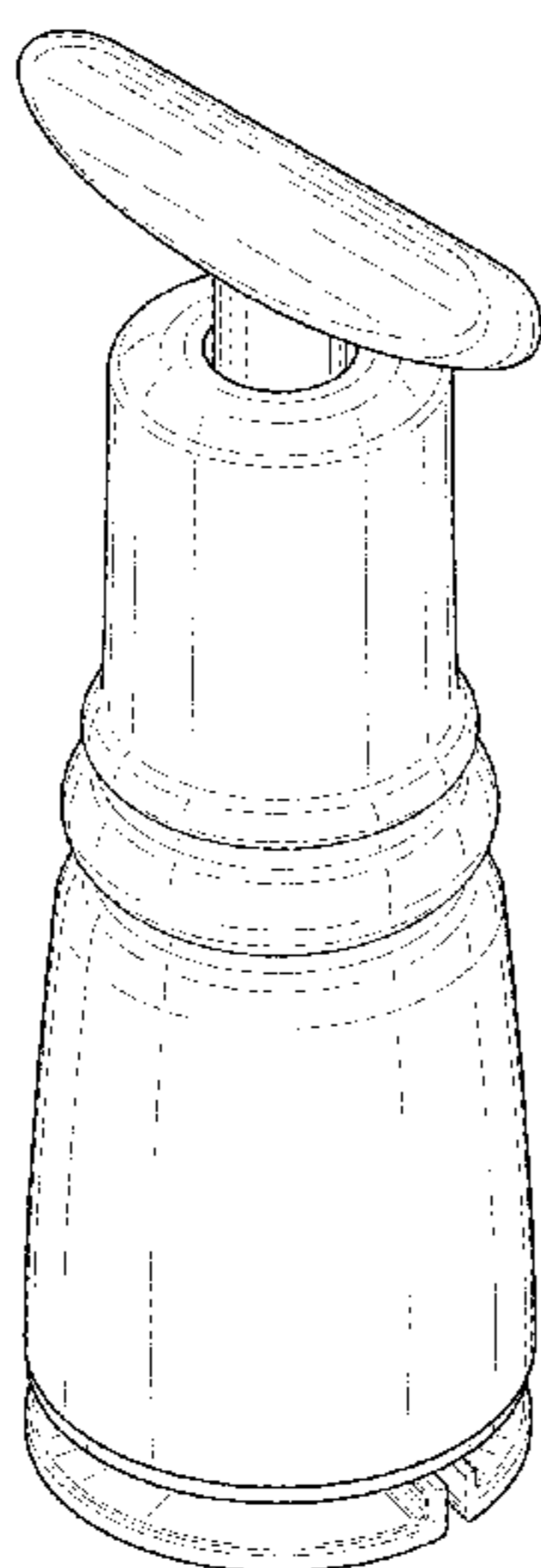
(57) **CLAIM**

The ornamental design for a corkscrew, as shown and described.

DESCRIPTION

FIG. 1 is an upper perspective view of the corkscrew showing my design;
FIG. 2 is a side elevation view thereof, an opposite side elevation view being a mirror image thereof;
FIG. 3 is a front elevation view thereof, a back elevation view being a mirror image thereof;
FIG. 4 is a bottom plan view thereof; and,
FIG. 5 is a top plan view thereof.
The broken lines in FIG. 4 represent portions of the corkscrew that form no part of the claimed design.

1 Claim, 2 Drawing Sheets



(56)

References Cited

U.S. PATENT DOCUMENTS

6,739,215 B2 * 5/2004 Lozeau B67B 7/0447
7/155
D491,429 S * 6/2004 Simons D8/42
D498,651 S * 11/2004 Bates D8/42
D517,882 S 3/2006 Kushner
D626,787 S * 11/2010 Holscher D7/523
D634,162 S * 3/2011 Holscher D7/523
D634,163 S * 3/2011 Holscher D7/523
D635,424 S * 4/2011 Morgan D8/42
D660,114 S 5/2012 Mauffette
D718,106 S 11/2014 Lauzet
8,915,167 B2 * 12/2014 Ratajac B67B 7/0441
81/3.29
9,272,890 B2 * 3/2016 Lawlor B67B 7/0405
2011/0100164 A1 * 5/2011 Mantilla B67B 7/0447
81/3.45
2018/0327241 A1 * 11/2018 Brouillac B67B 7/0441

* cited by examiner

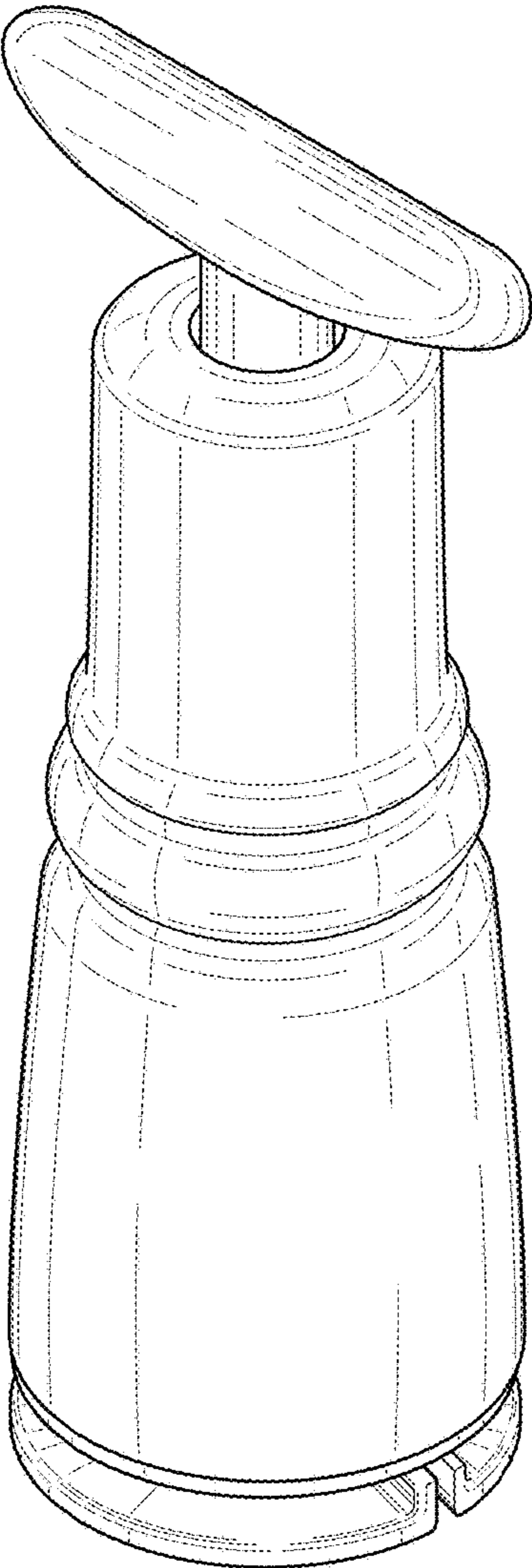


FIG. 1

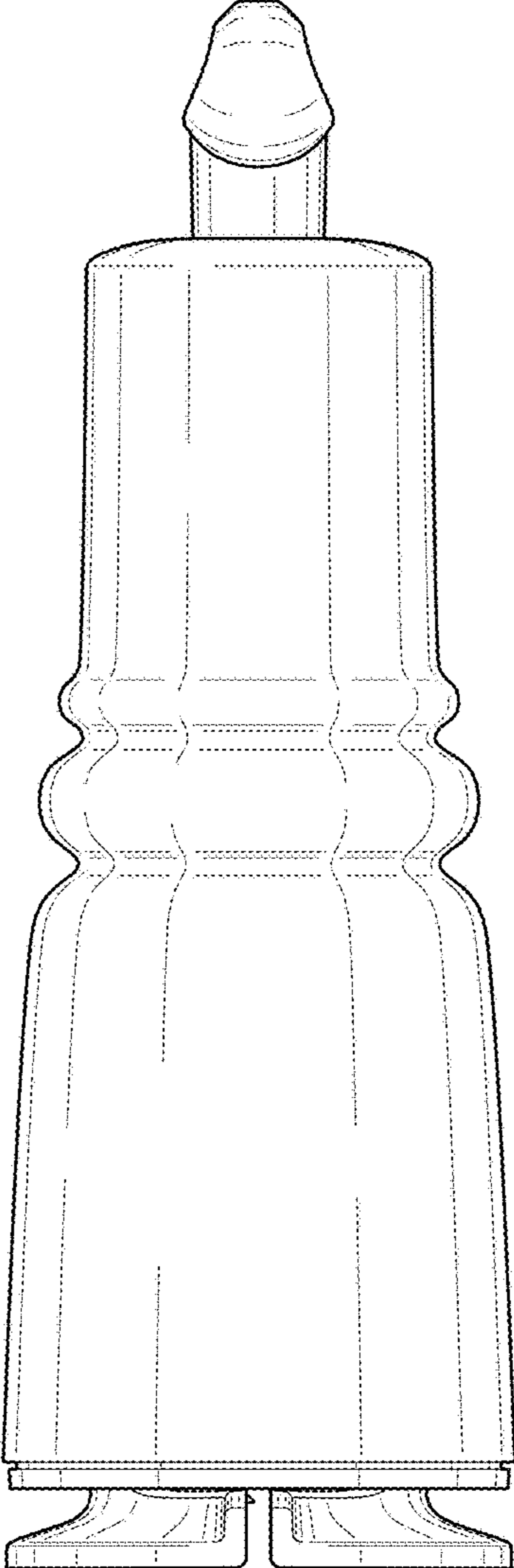


FIG. 2

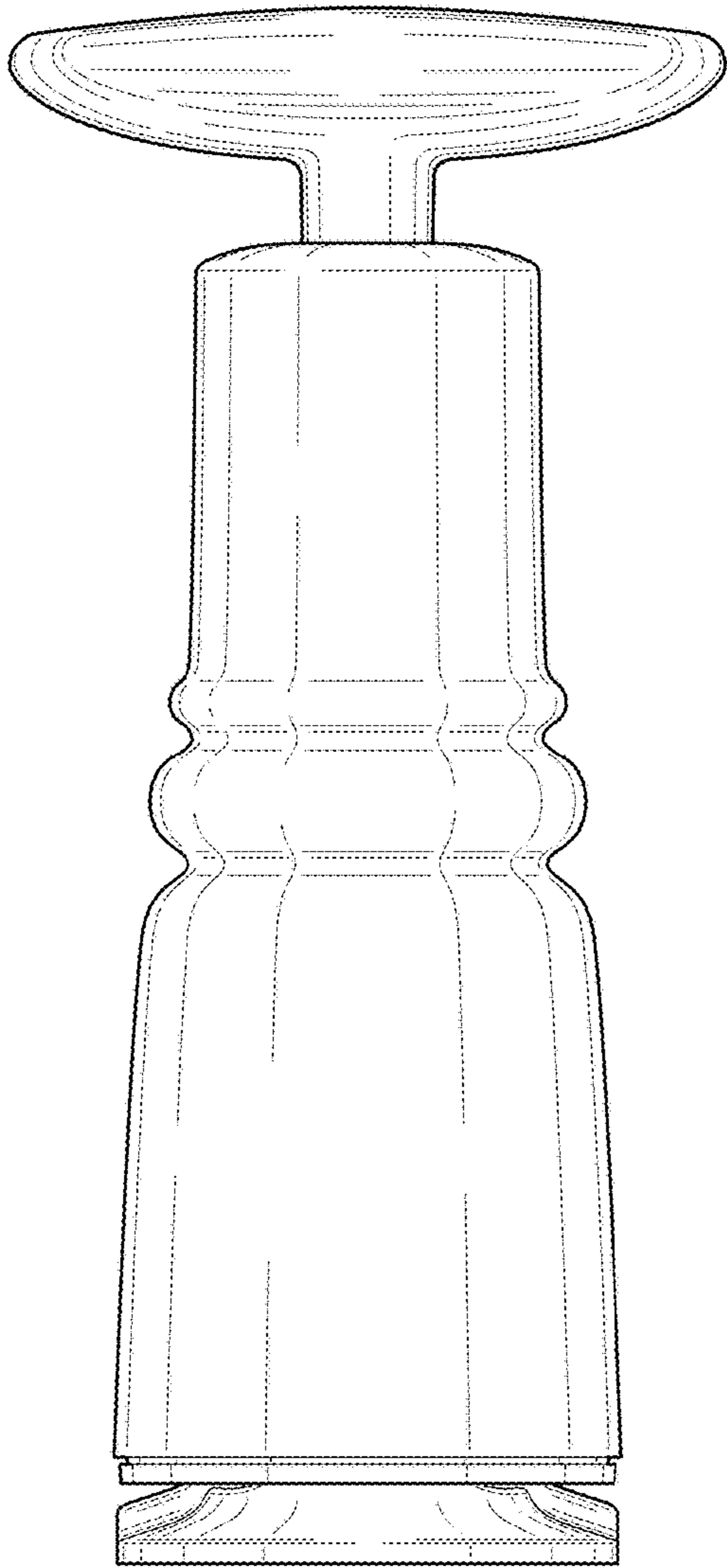


FIG. 3

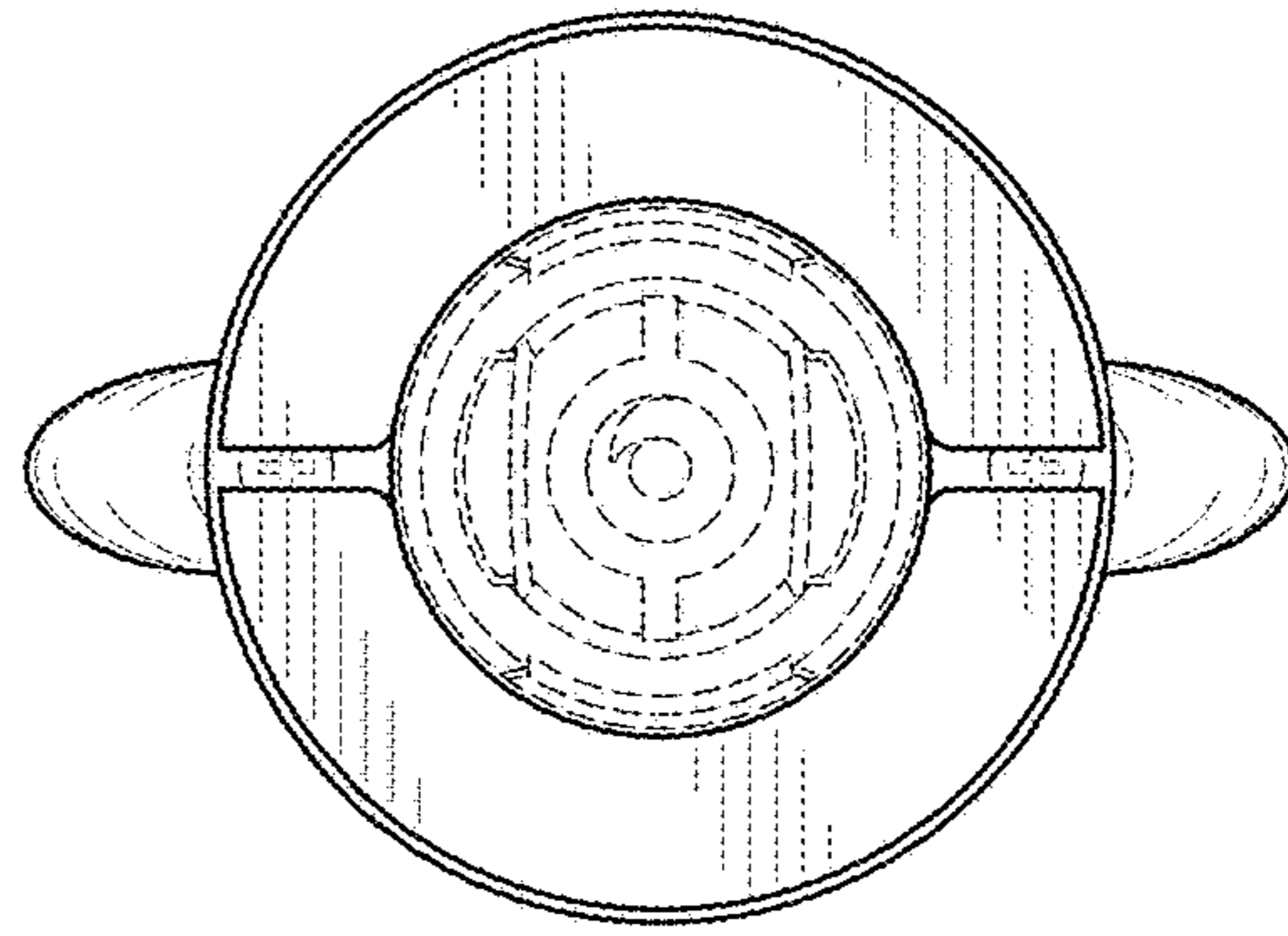


FIG. 4

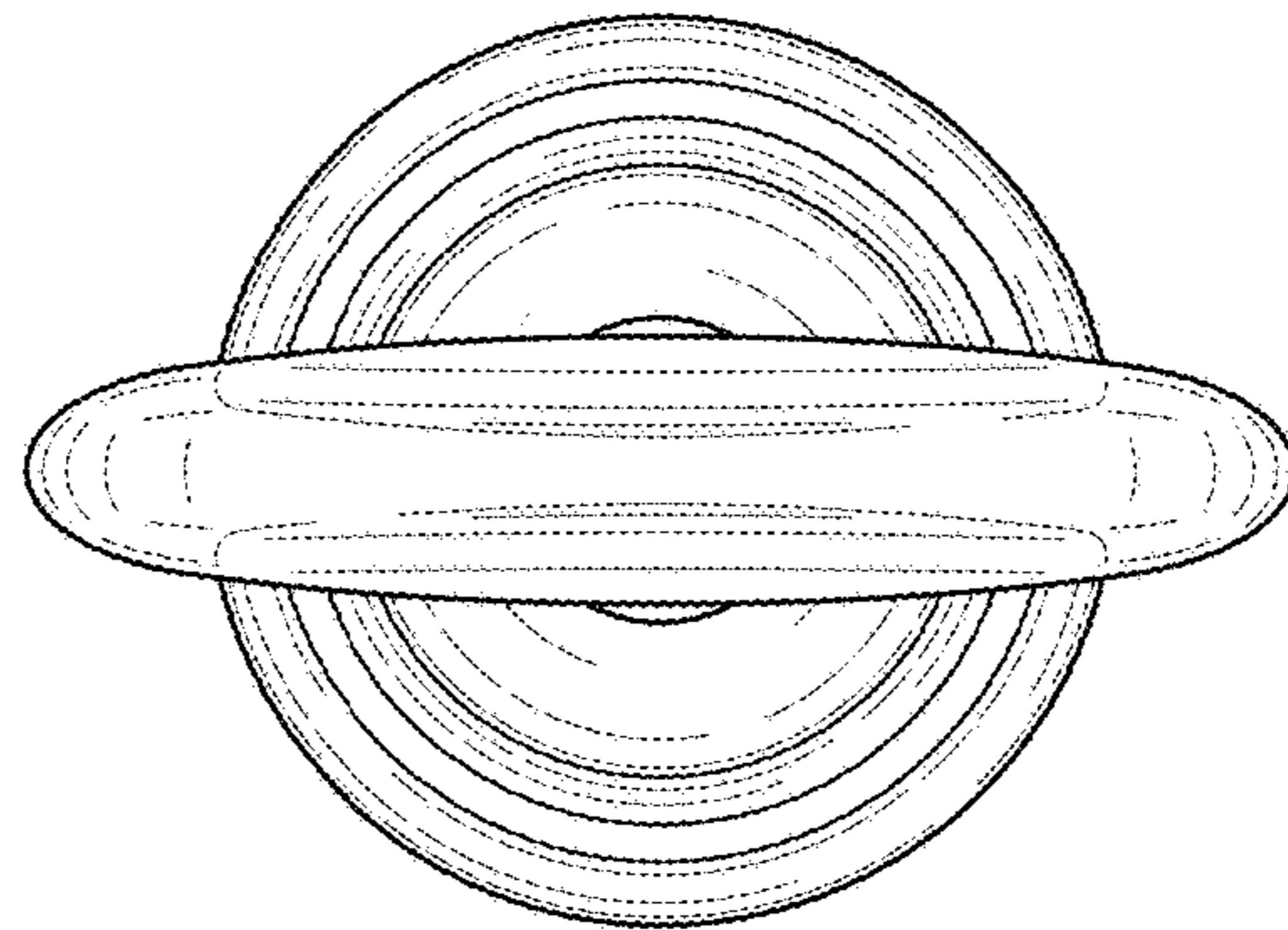


FIG. 5