



US00D865463S

(12) **United States Design Patent**
Lei

(10) **Patent No.:** **US D865,463 S**

(45) **Date of Patent:** **** Nov. 5, 2019**

(54) **HEAT GUN**

D743,764 S * 11/2015 Teraoka D8/29.1
D771,454 S * 11/2016 Steinel D8/29.1
D793,827 S * 8/2017 Huang D8/29.1

(71) Applicant: **Jinhua Lei**, Guangdong (CN)

* cited by examiner

(72) Inventor: **Jinhua Lei**, Guangdong (CN)

Primary Examiner — Randall H Gholson

(**) Term: **15 Years**

(21) Appl. No.: **29/658,180**

(57) **CLAIM**

(22) Filed: **Jul. 30, 2018**

The ornamental design for a heat gun, as shown and described.

(51) **LOC (12) Cl.** **08-05**

(52) **U.S. Cl.**
USPC **D8/29.1**

DESCRIPTION

(58) **Field of Classification Search**
USPC D8/29.1–29.2, 30, 61, 67, 68; D28/13
CPC A45D 20/08; A45D 20/10; F24H 3/00;
F24H 3/0423; F16M 13/00
See application file for complete search history.

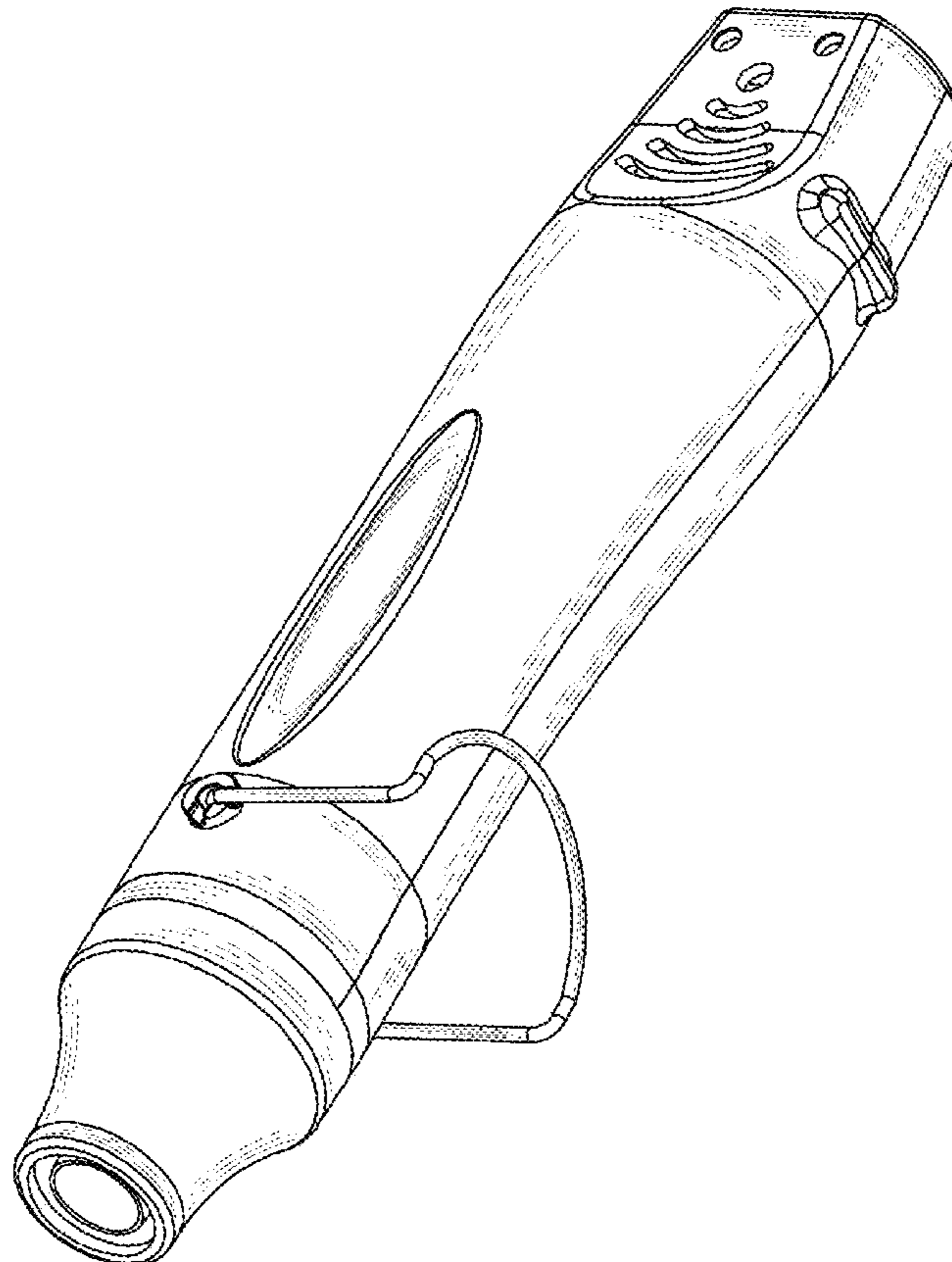
FIG. 1 is a front, right and bottom perspective view of a heat gun showing my new design;
FIG. 2 is a front, left and top perspective view thereof;
FIG. 3 is a front elevational view thereof;
FIG. 4 is a rear elevational view thereof;
FIG. 5 is a left side elevational view thereof;
FIG. 6 is a right side elevational view thereof;
FIG. 7 is a top plan view thereof; and,
FIG. 8 is a bottom plan view thereof.

(56) **References Cited**

U.S. PATENT DOCUMENTS

D456,681 S * 5/2002 Cheng D8/29.1
D458,524 S * 6/2002 Cheng D8/29.1

1 Claim, 8 Drawing Sheets



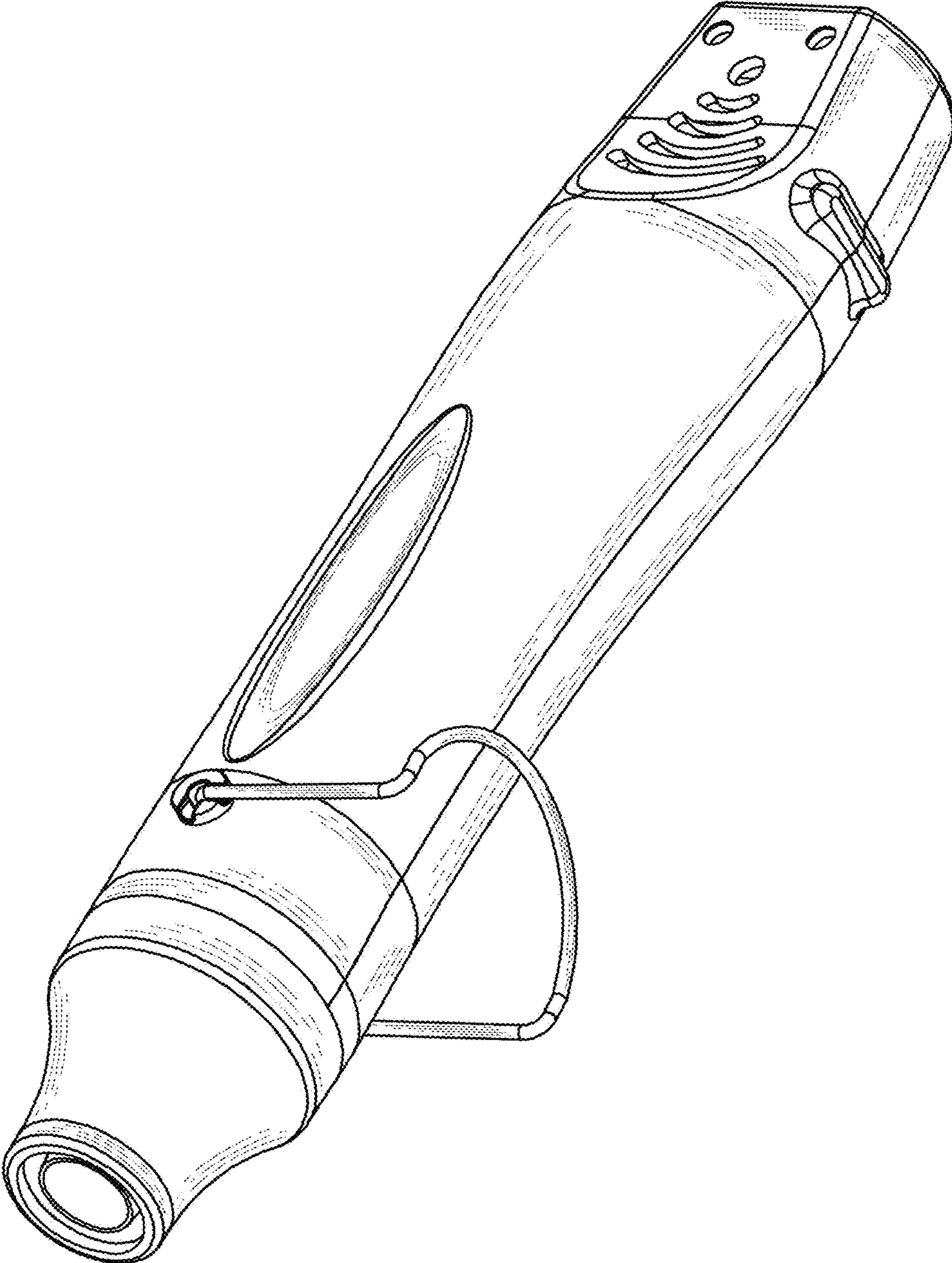


FIG.1

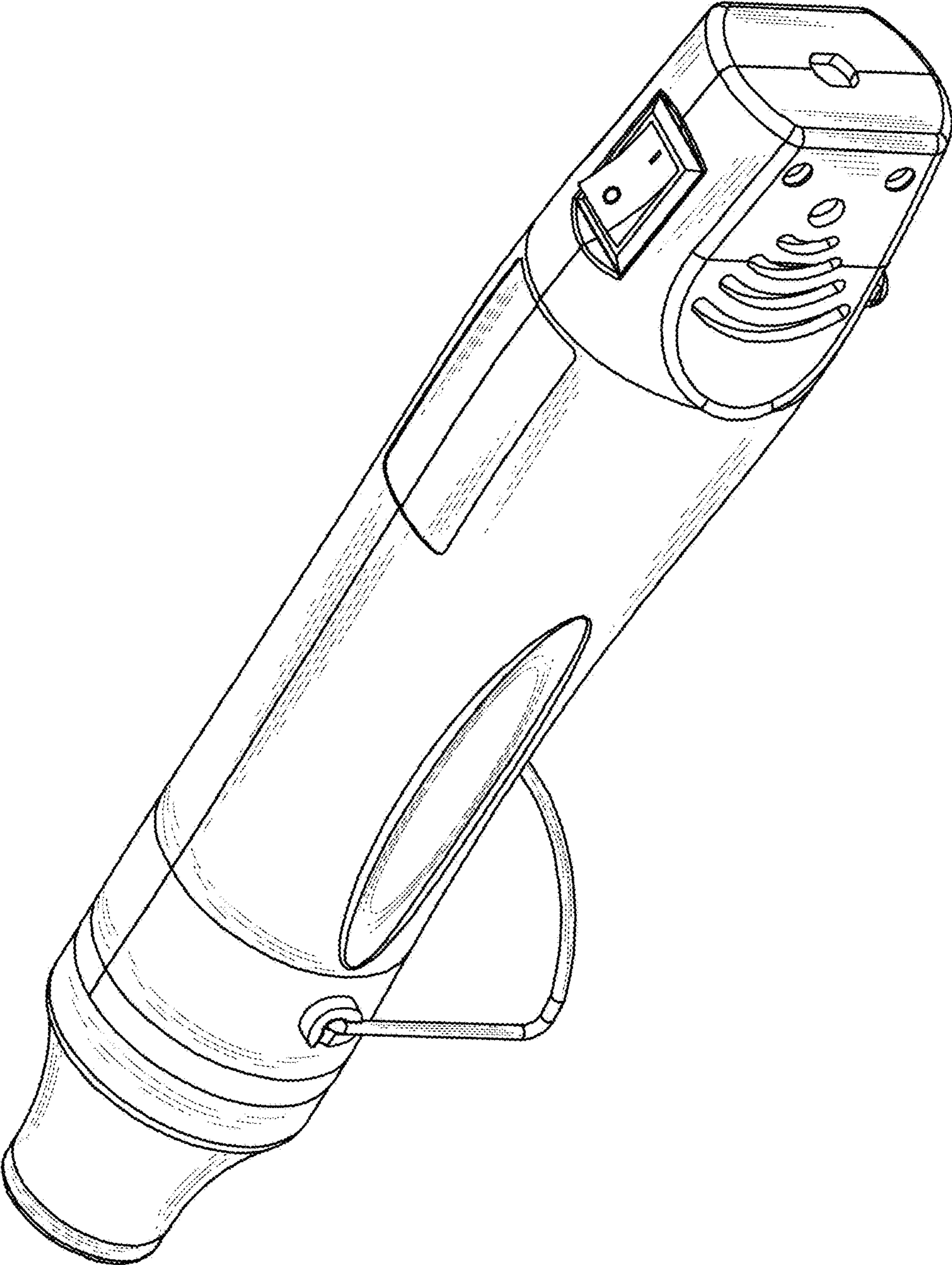


FIG.2

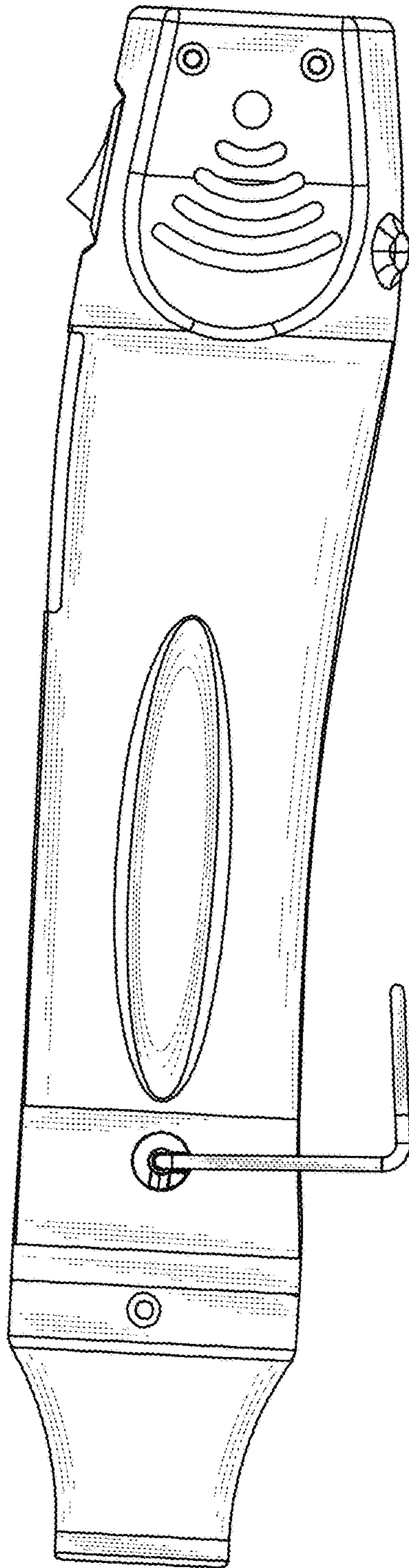


FIG.3

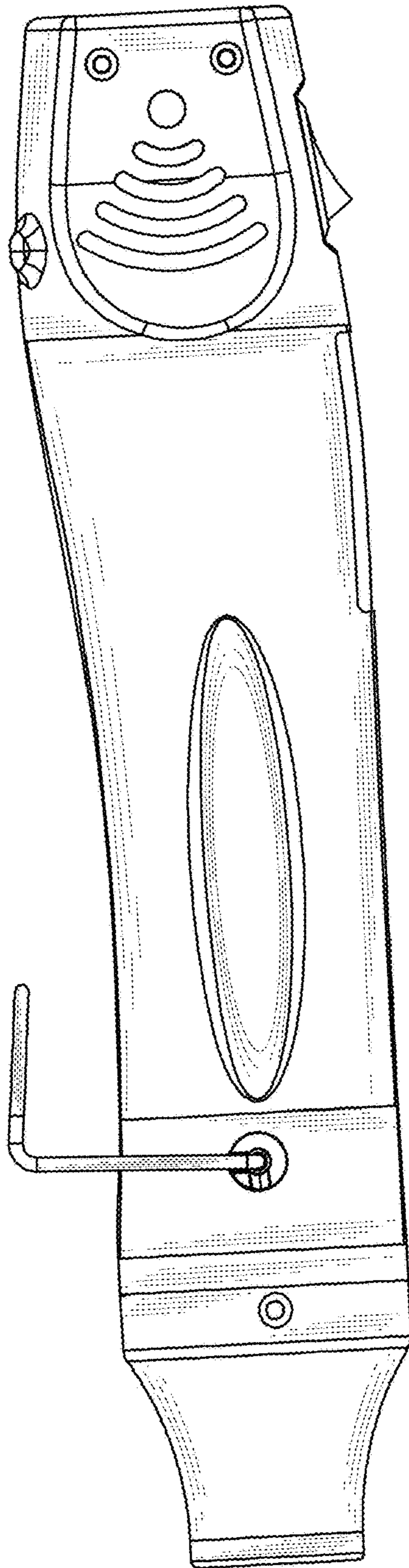


FIG.4

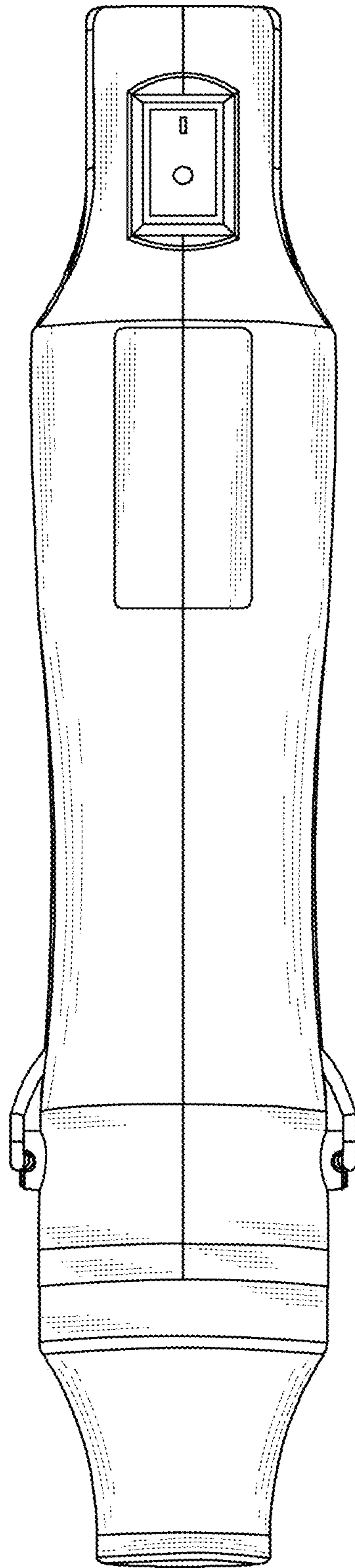


FIG.5

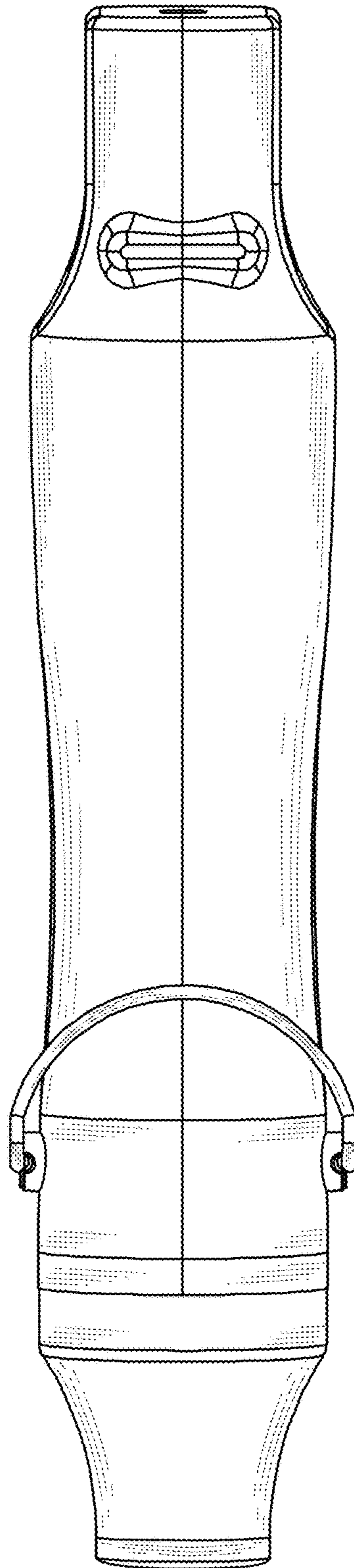


FIG.6

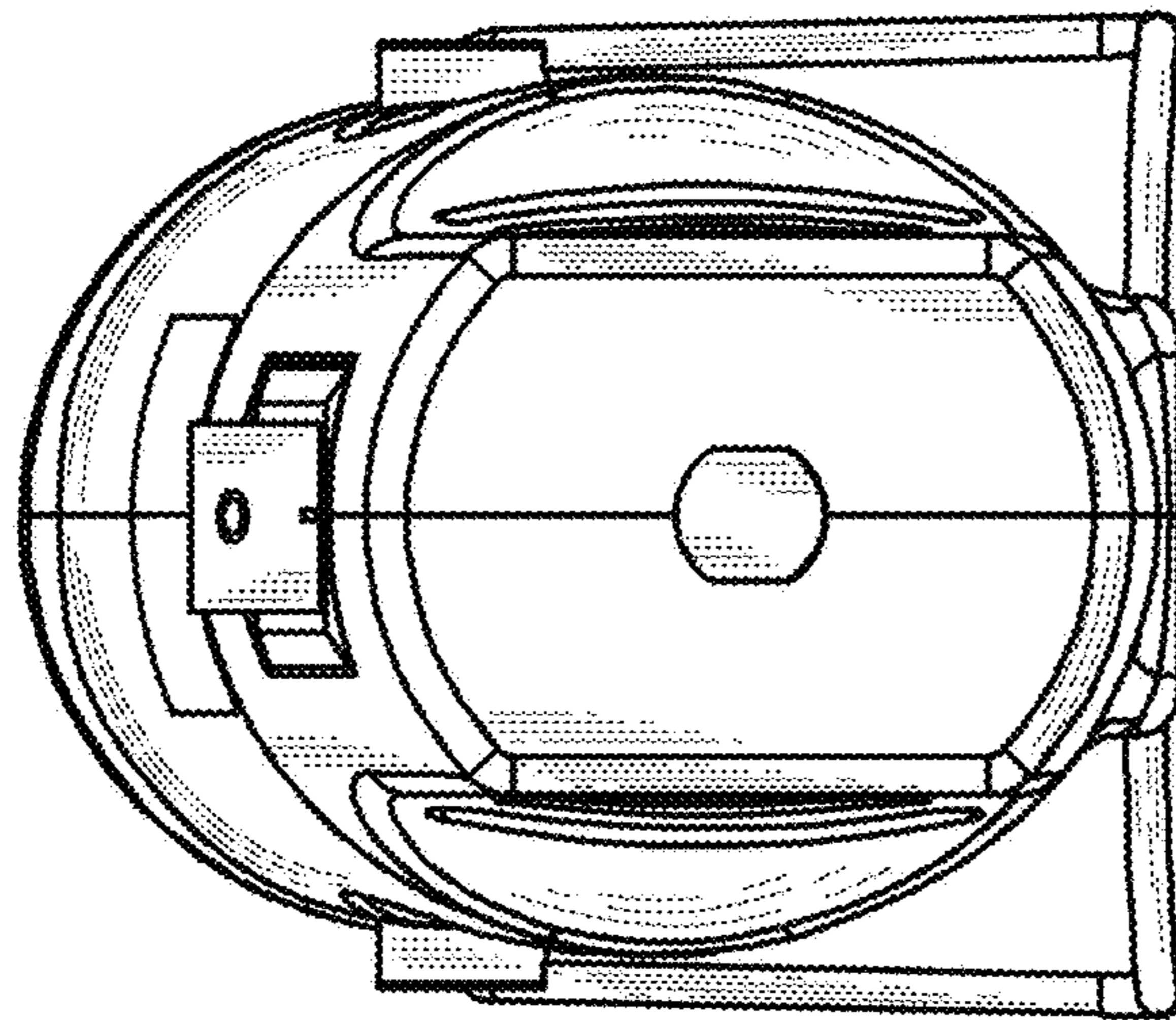


FIG.7

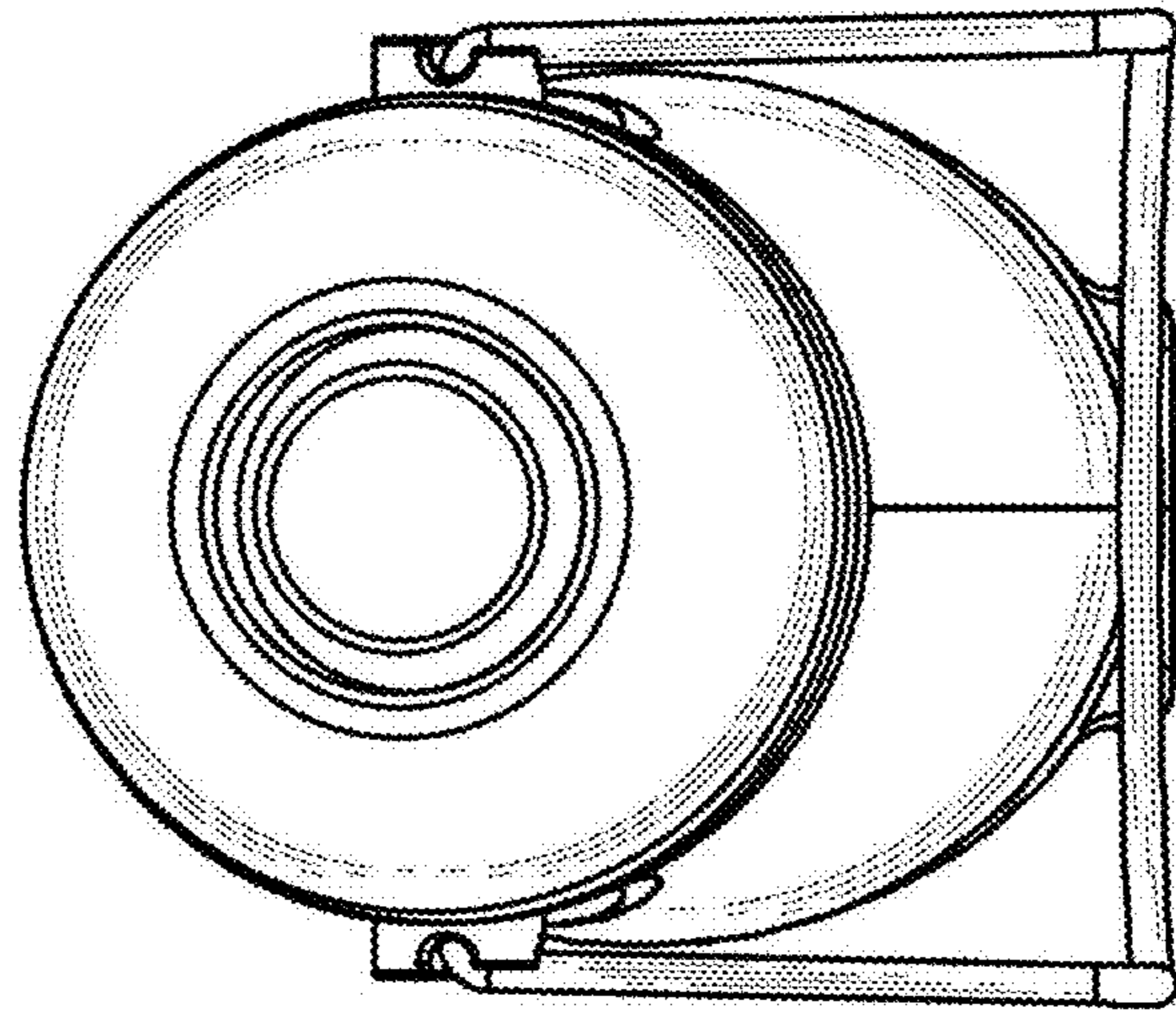


FIG. 8