



US00D865462S

(12) **United States Design Patent**
Huang

(10) **Patent No.:** **US D865,462 S**

(45) **Date of Patent:** **** Nov. 5, 2019**

(54) **PULL TOOL**

(71) Applicant: **POUL CHANG METAL INDUSTRY CO.,LTD.**, Taichung (TW)

(72) Inventor: **Chia-Hao Huang**, Taichung (TW)

(73) Assignee: **POUL CHANG METAL INDUSTRY CO., LTD.**, Taichung (TW)

(**) Term: **15 Years**

(21) Appl. No.: **29/610,646**

(22) Filed: **Jul. 13, 2017**

(51) **LOC (12) Cl.** **08-05**

(52) **U.S. Cl.**
USPC **D8/14**

(58) **Field of Classification Search**
USPC D8/14, 51, 88, 89
CPC F01N 13/1805; F02B 2275/44; B25B 27/0035

See application file for complete search history.

(56) **References Cited**

U.S. PATENT DOCUMENTS

- 2,376,290 A * 5/1945 Stewart B63B 22/166 294/26
- 5,020,204 A * 6/1991 Desair B25B 27/0035 254/100

- D320,915 S * 10/1991 Sanguino D8/14
- D327,614 S * 7/1992 Banks D8/107
- 5,171,052 A * 12/1992 Cunningham B65G 7/12 294/210
- 7,159,260 B2 * 1/2007 Hansen B25D 1/04 7/100

* cited by examiner

Primary Examiner — Philip S Hyder

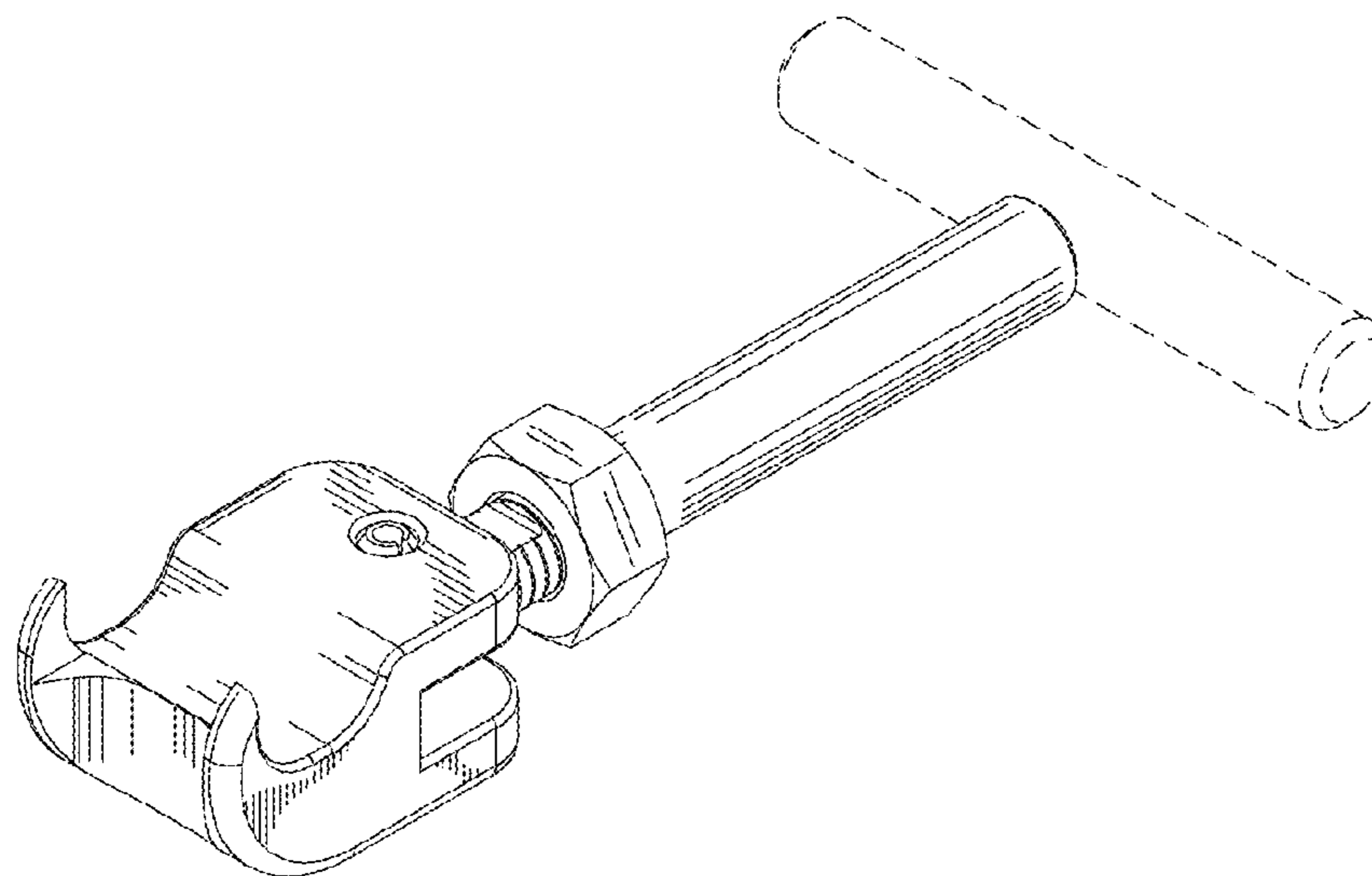
(57) **CLAIM**

The ornamental design for a pull tool, as shown and described.

DESCRIPTION

FIG. 1 is a perspective view of a pull tool showing my new design;
 FIG. 2 is a front side view thereof;
 FIG. 3 is a back side view thereof;
 FIG. 4 is a left side view thereof;
 FIG. 5 is a right side view thereof;
 FIG. 6 is a top plan view thereof; and,
 FIG. 7 is a bottom plan view thereof.
 The broken lines shown in the drawings illustrate portions of the pull tool that form no part of the claimed design.

1 Claim, 5 Drawing Sheets



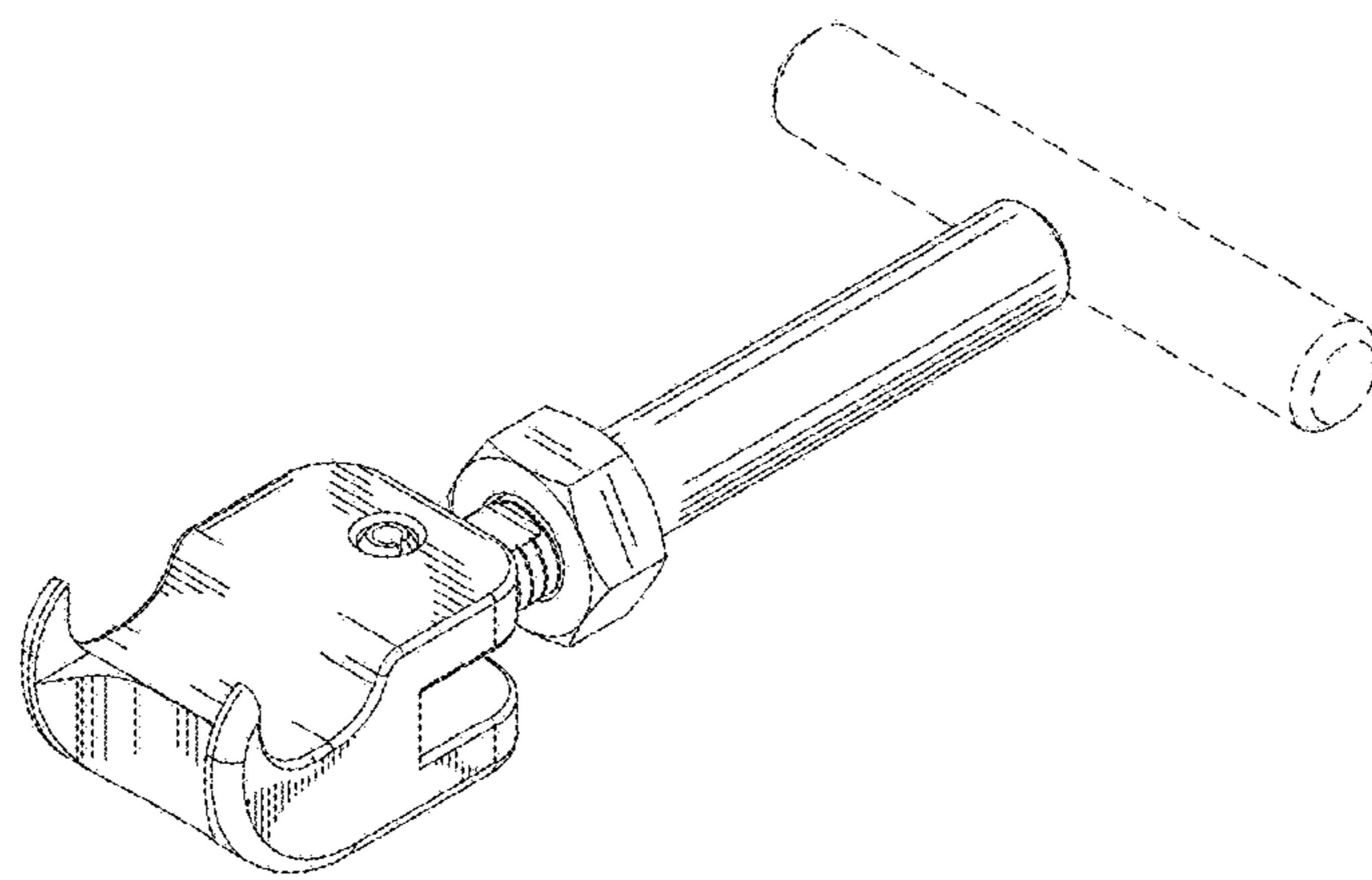


FIG. 1

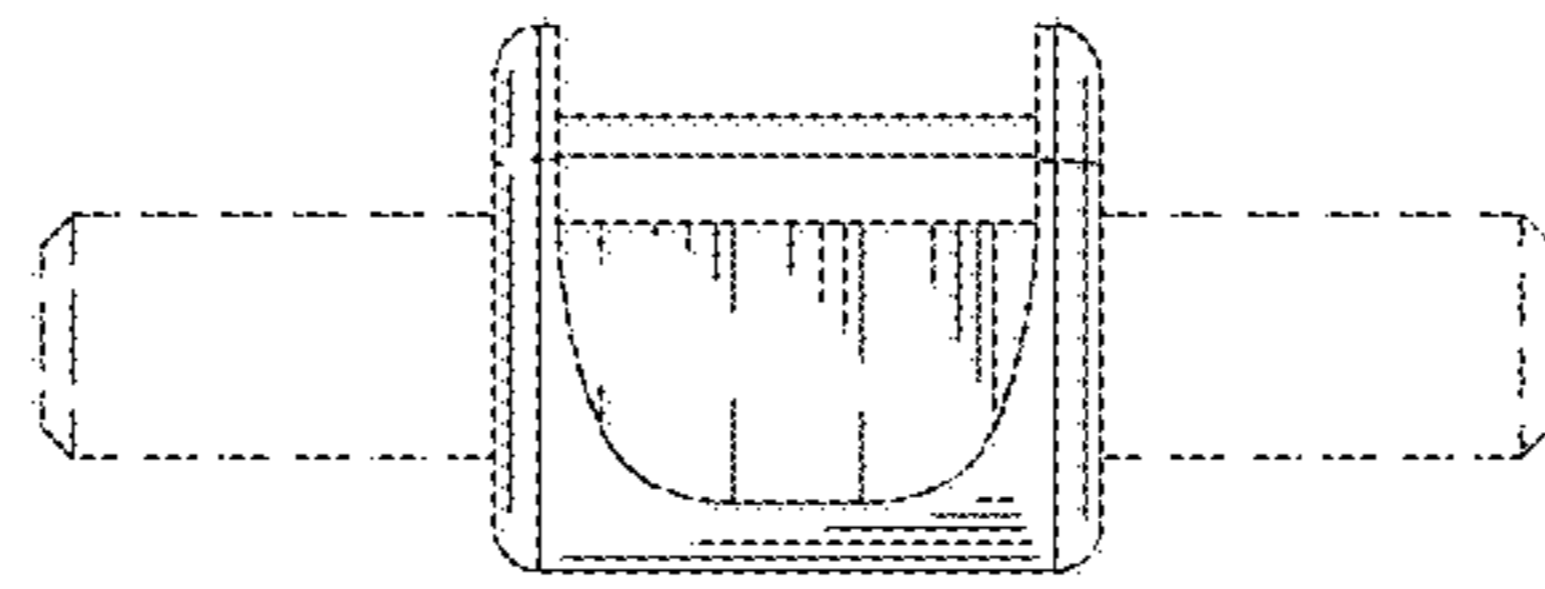


FIG. 2

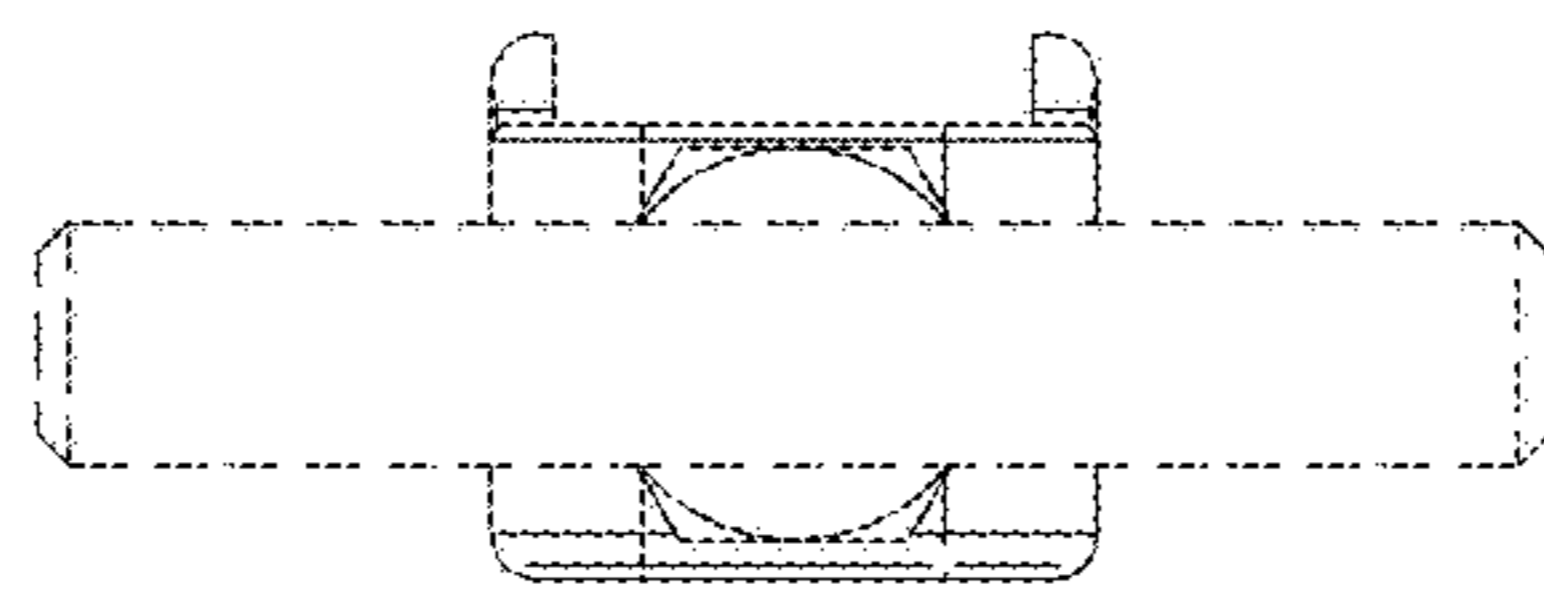


FIG. 3

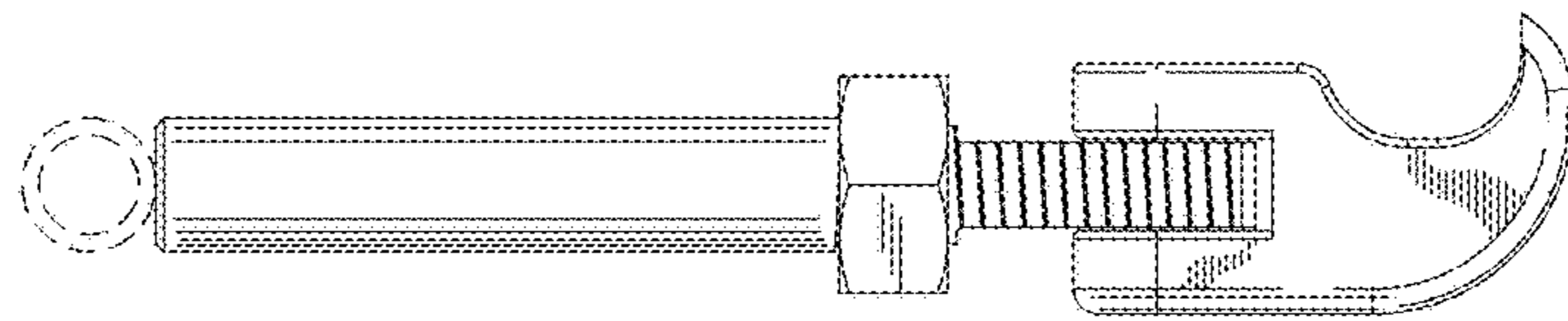


FIG. 4

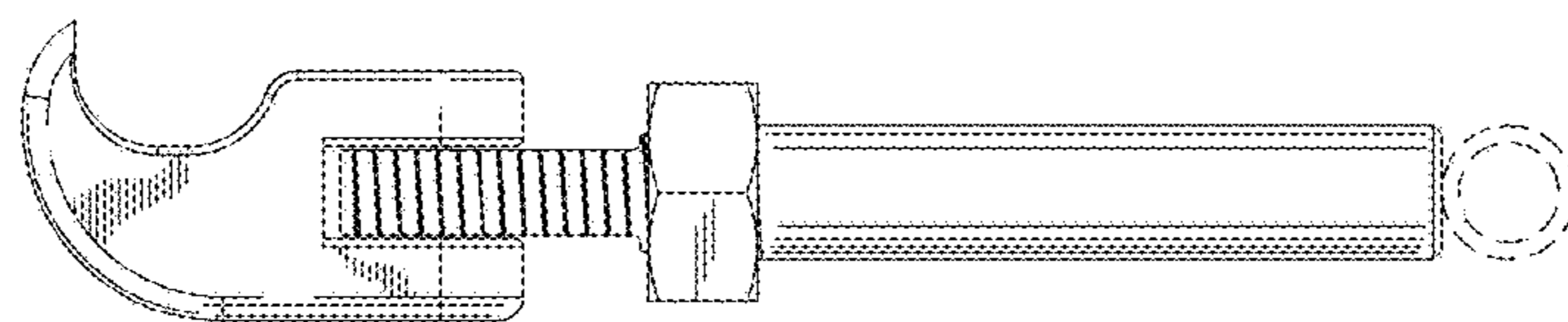


FIG. 5

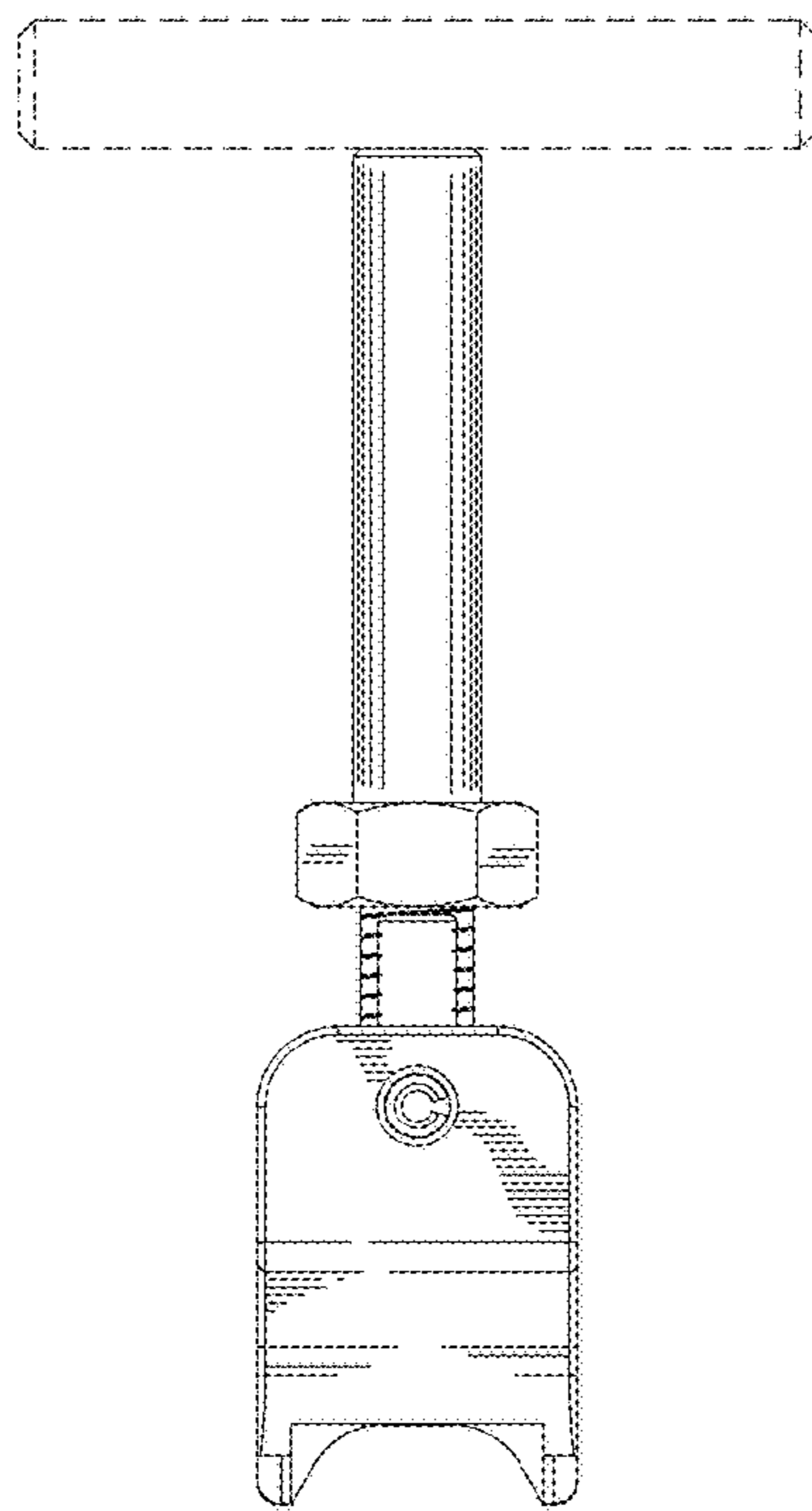


FIG. 6

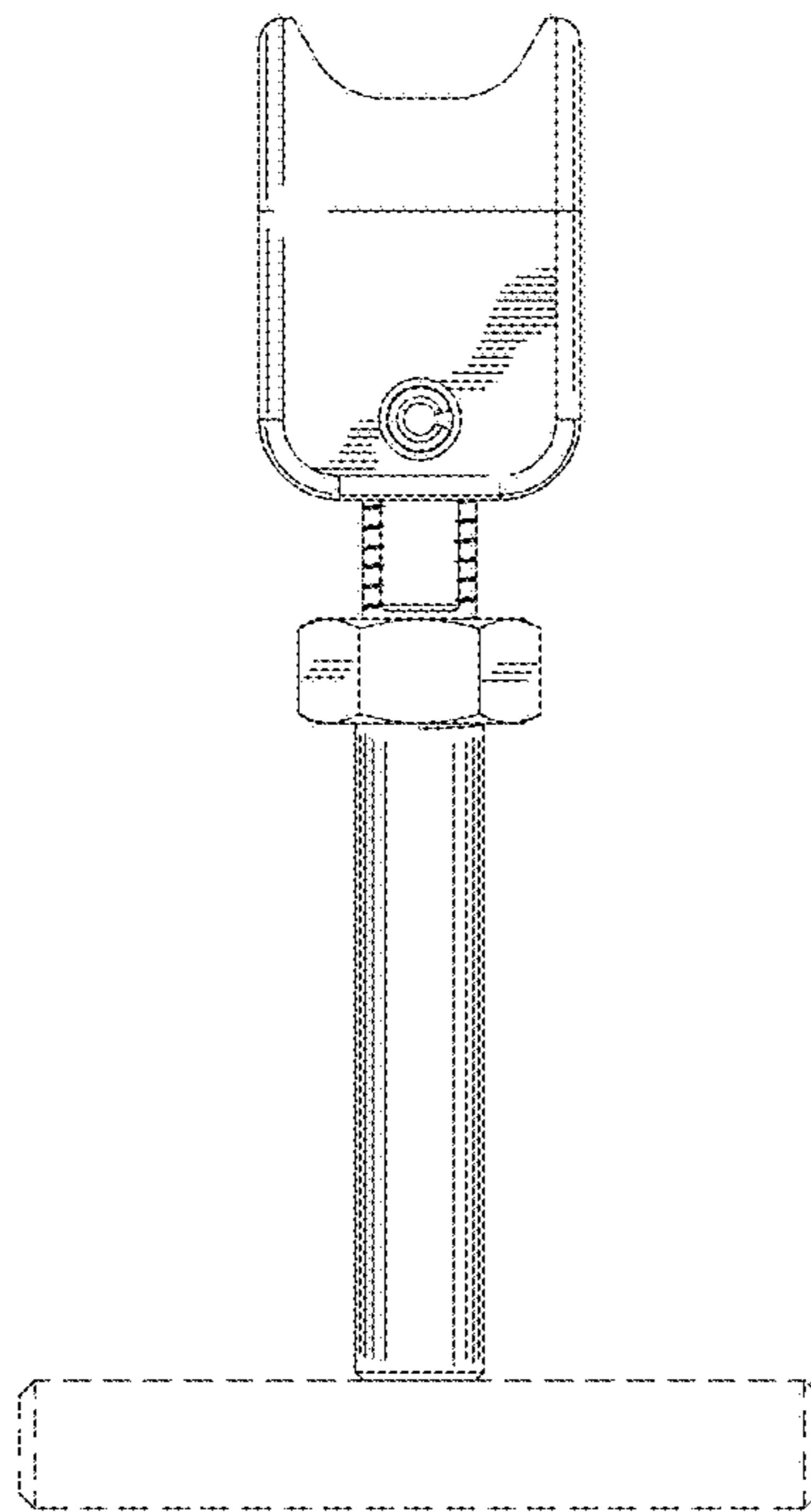


FIG. 7