



US00D865458S

(12) **United States Design Patent** (10) **Patent No.:** **US D865,458 S**
Kim (45) **Date of Patent:** **** Nov. 5, 2019**

(54) **BODY FOR JUICE EXTRACTOR**
(71) Applicant: **NUC Electronics Co., Ltd., Daegu**
(KR)
(72) Inventor: **Jong Boo Kim, Daegu (KR)**
(73) Assignee: **NUC Electronics Co., Ltd., Daegu**
(KR)
(**) Term: **15 Years**

D769,082 S * 10/2016 Kim D7/386
D793,176 S * 8/2017 Kim D7/665
2016/0021924 A1* 1/2016 Kim A23N 1/02
99/513

* cited by examiner

Primary Examiner — Terry A Wallace
(74) *Attorney, Agent, or Firm* — Seed Intellectual
Property Law Group LLP

(21) Appl. No.: **29/634,326**
(22) Filed: **Jan. 19, 2018**

(57) **CLAIM**

The ornamental design for a body for juice extractor, as shown and described.

(30) **Foreign Application Priority Data**

Jul. 21, 2017 (KR) 30-2017-0033712

(51) **LOC (12) Cl.** **31-00**

(52) **U.S. Cl.**
USPC **D7/665**

(58) **Field of Classification Search**
USPC D7/665–668, 372, 376, 381, 382, 386,
D7/412
CPC A47J 19/02; A47J 19/027; A47J 19/00;
A47J 19/06; A47J 19/022; A47J 43/046;
A47J 43/0794; A23N 1/00; A23N 1/02;
A23N 1/003
See application file for complete search history.

DESCRIPTION

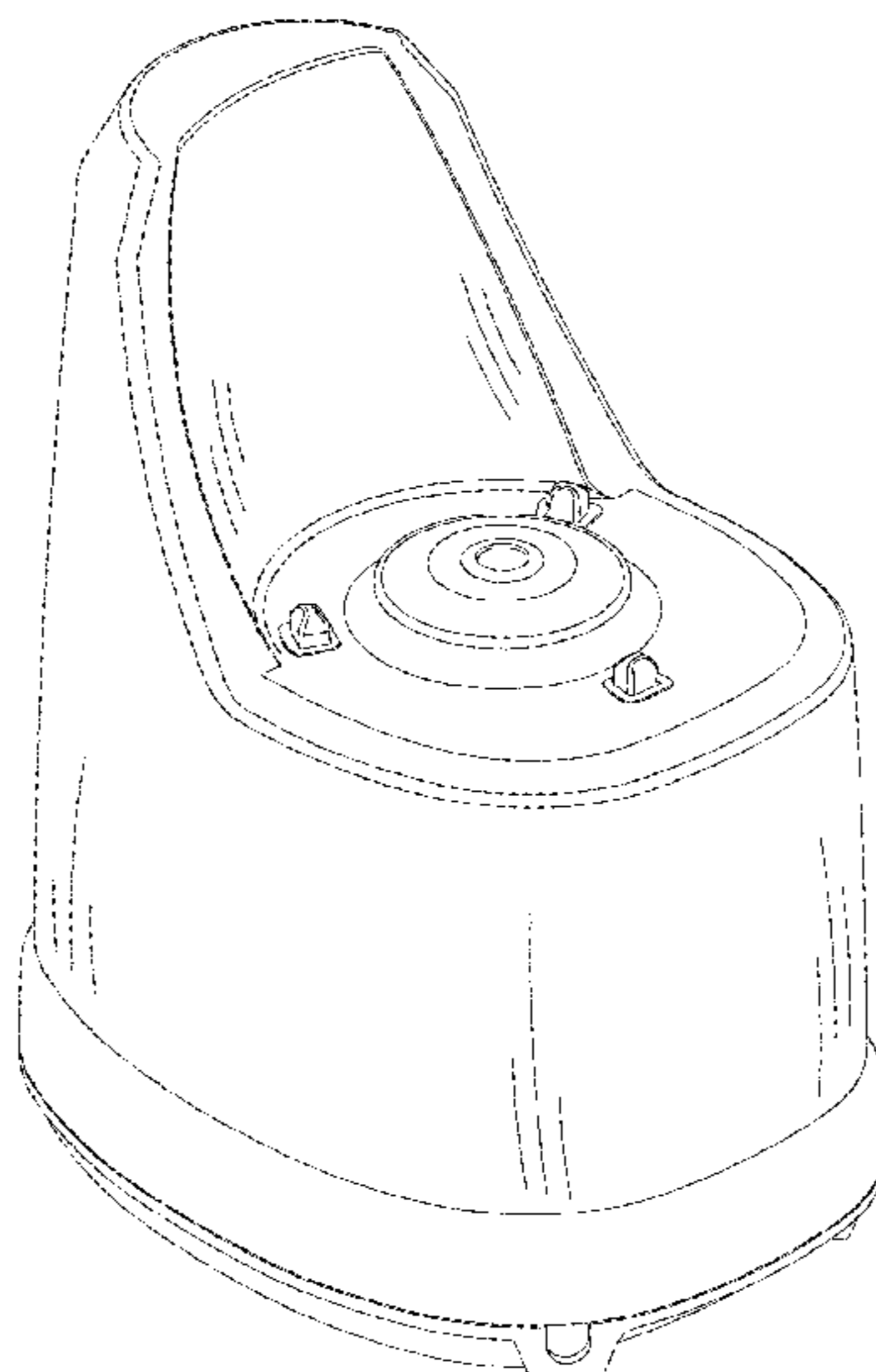
FIG. 1 is a perspective view of a body for juice extractor showing our new design.
FIG. 2 is a front view thereof.
FIG. 3 is a rear elevational view thereof.
FIG. 4 is a left side elevational view thereof.
FIG. 5 is a right side elevational view thereof.
FIG. 6 is a top plan view thereof.
FIG. 7 is a bottom plan view thereof.
FIG. 8 is an enlarged partial view of FIG. 3 showing the details thereof.
FIG. 9 is an enlarged partial view of the top left quarter of FIG. 4 showing the details thereof; and,
FIG. 10 is an enlarged partial view of the top right quarter of FIG. 5 showing the details thereof.

(56) **References Cited**

U.S. PATENT DOCUMENTS

D665,633 S * 8/2012 Kim D7/665
D699,515 S * 2/2014 Kim D7/412

1 Claim, 10 Drawing Sheets



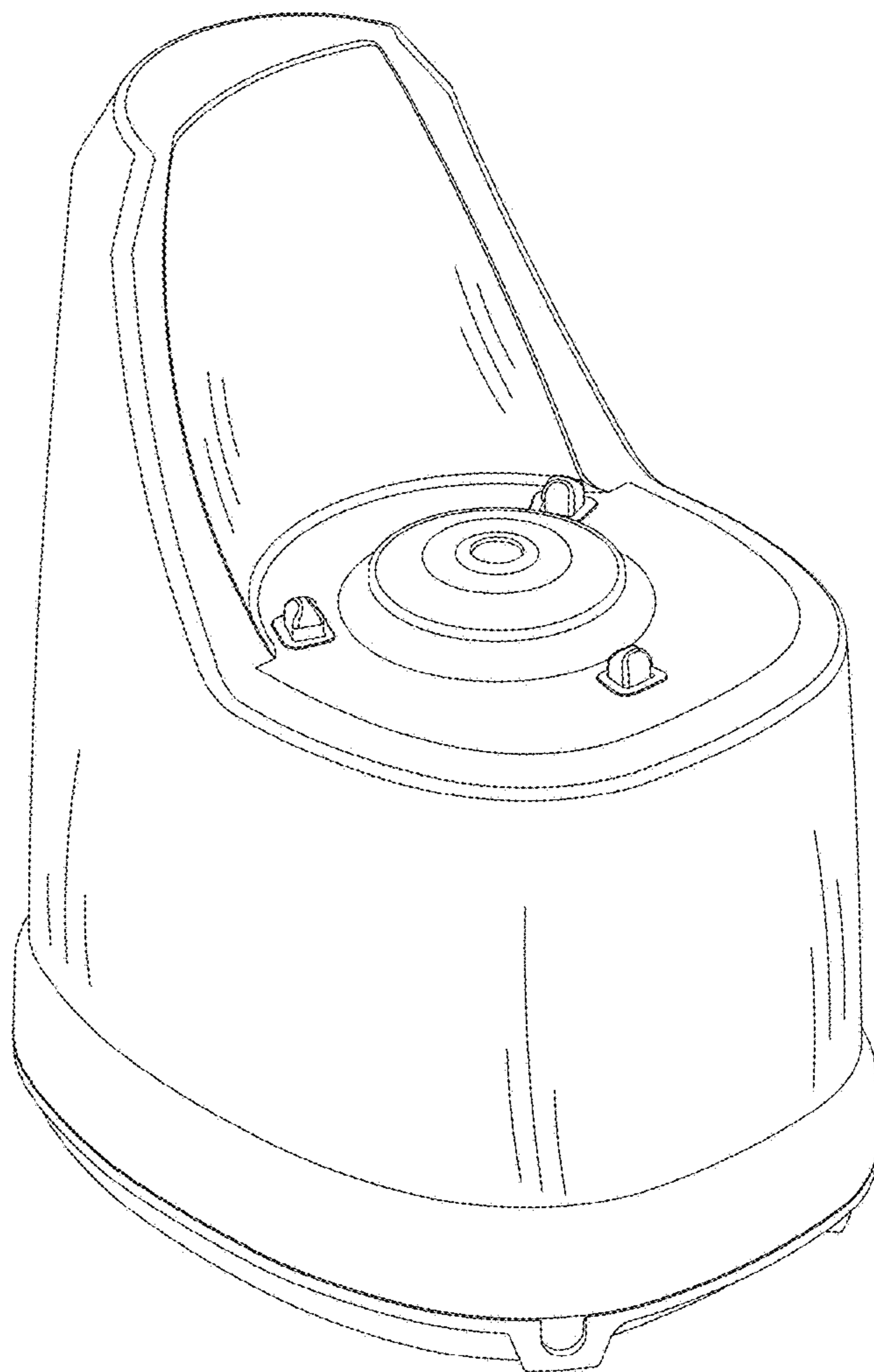


FIG. 1

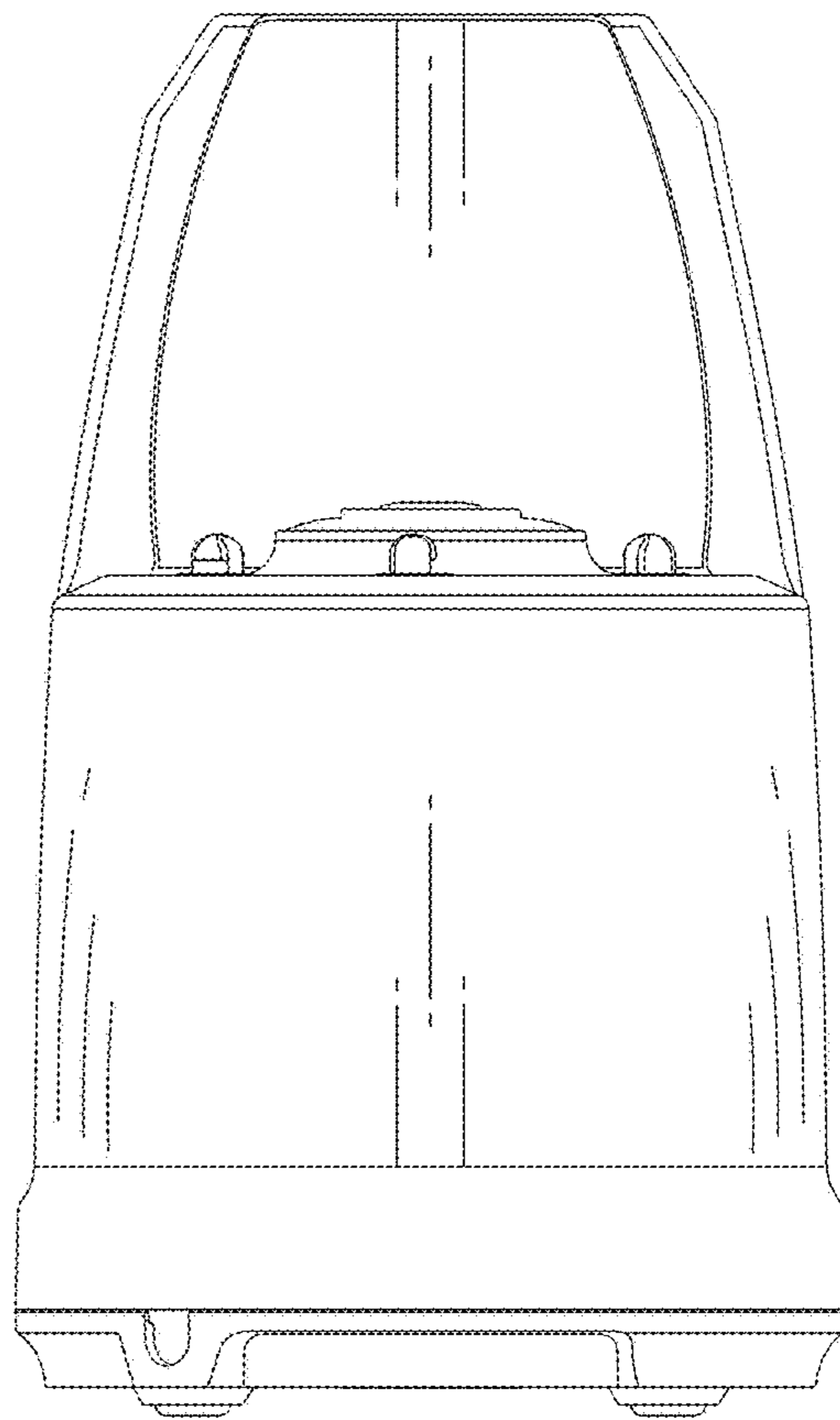


FIG. 2

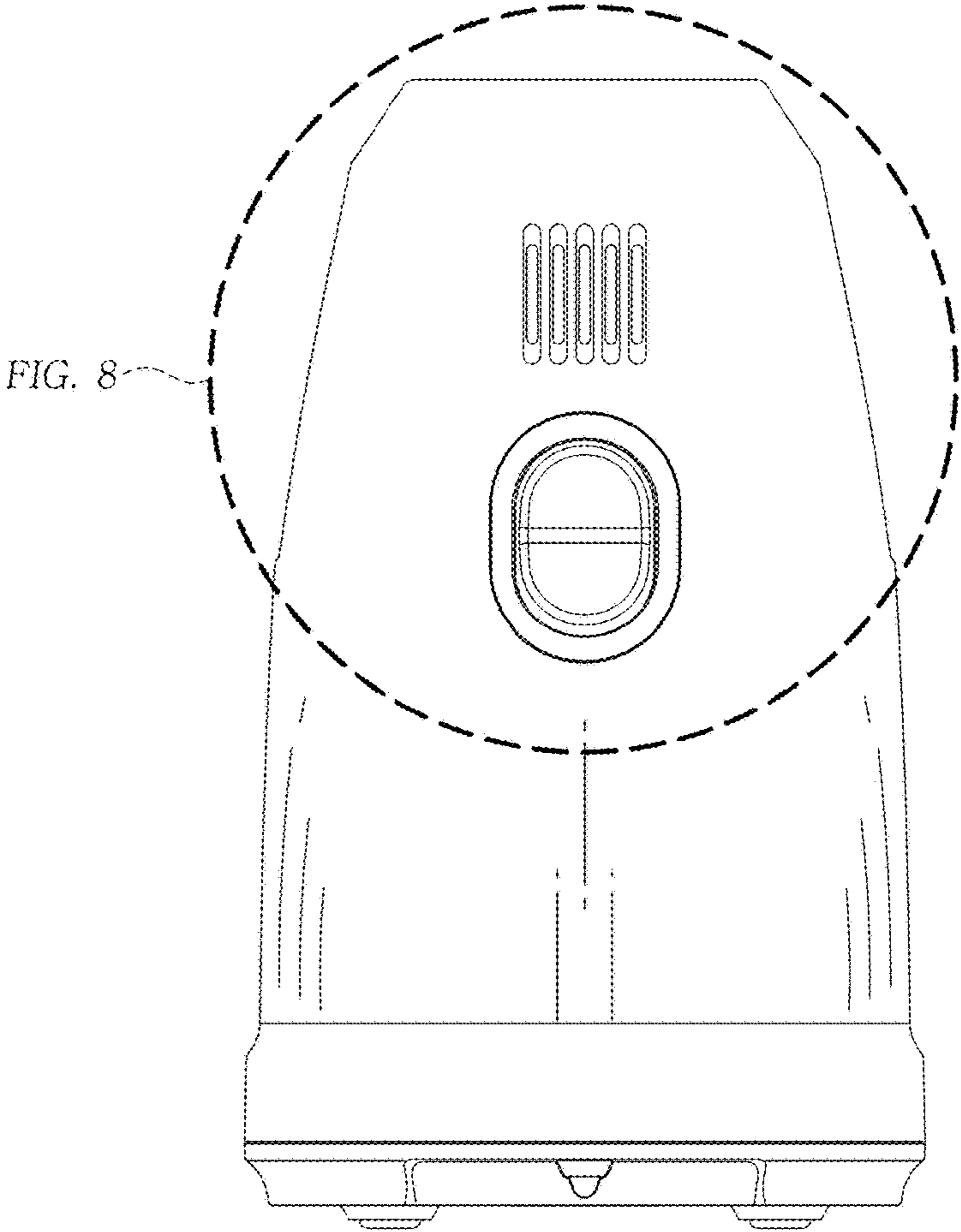


FIG. 3

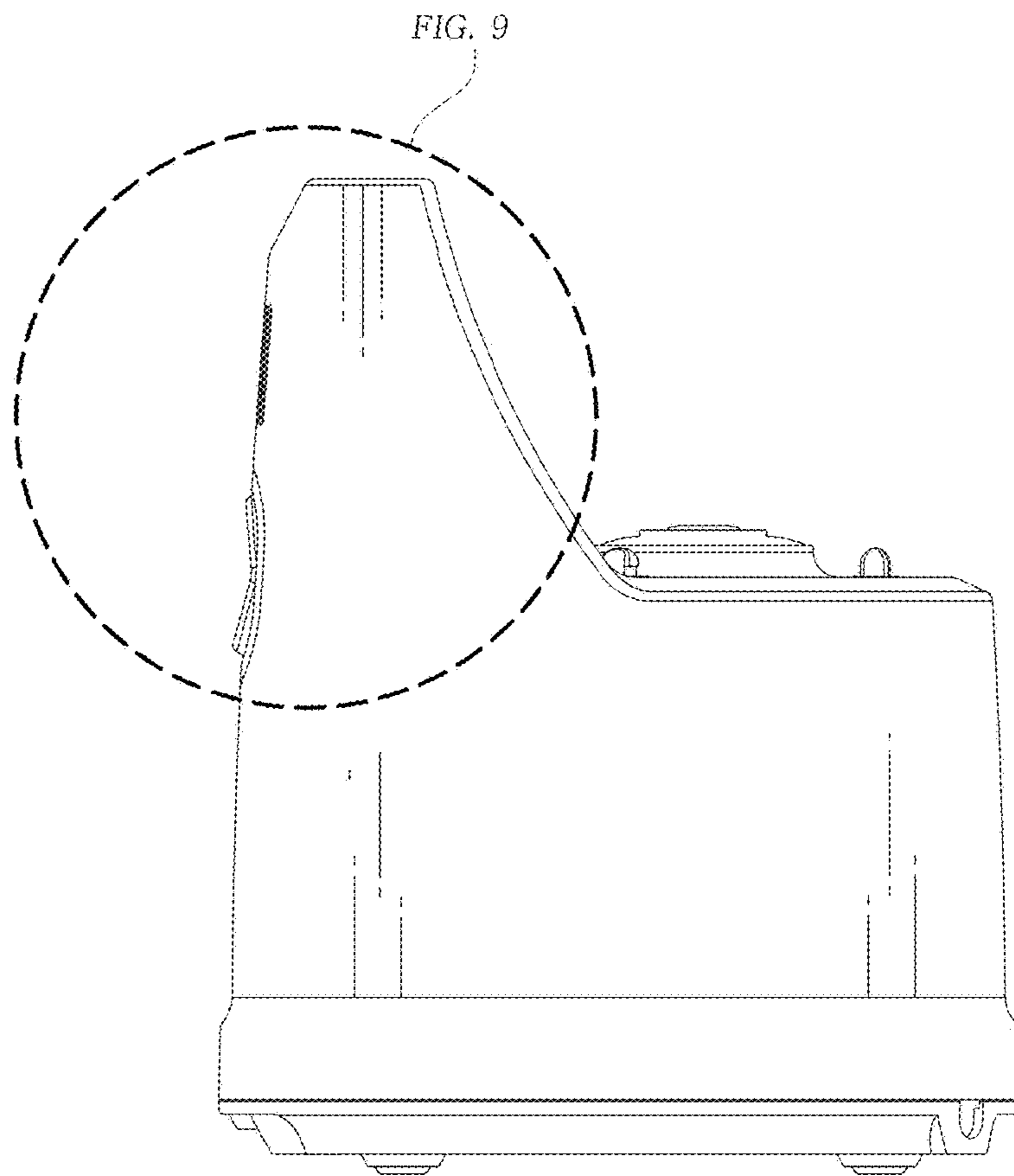


FIG. 4

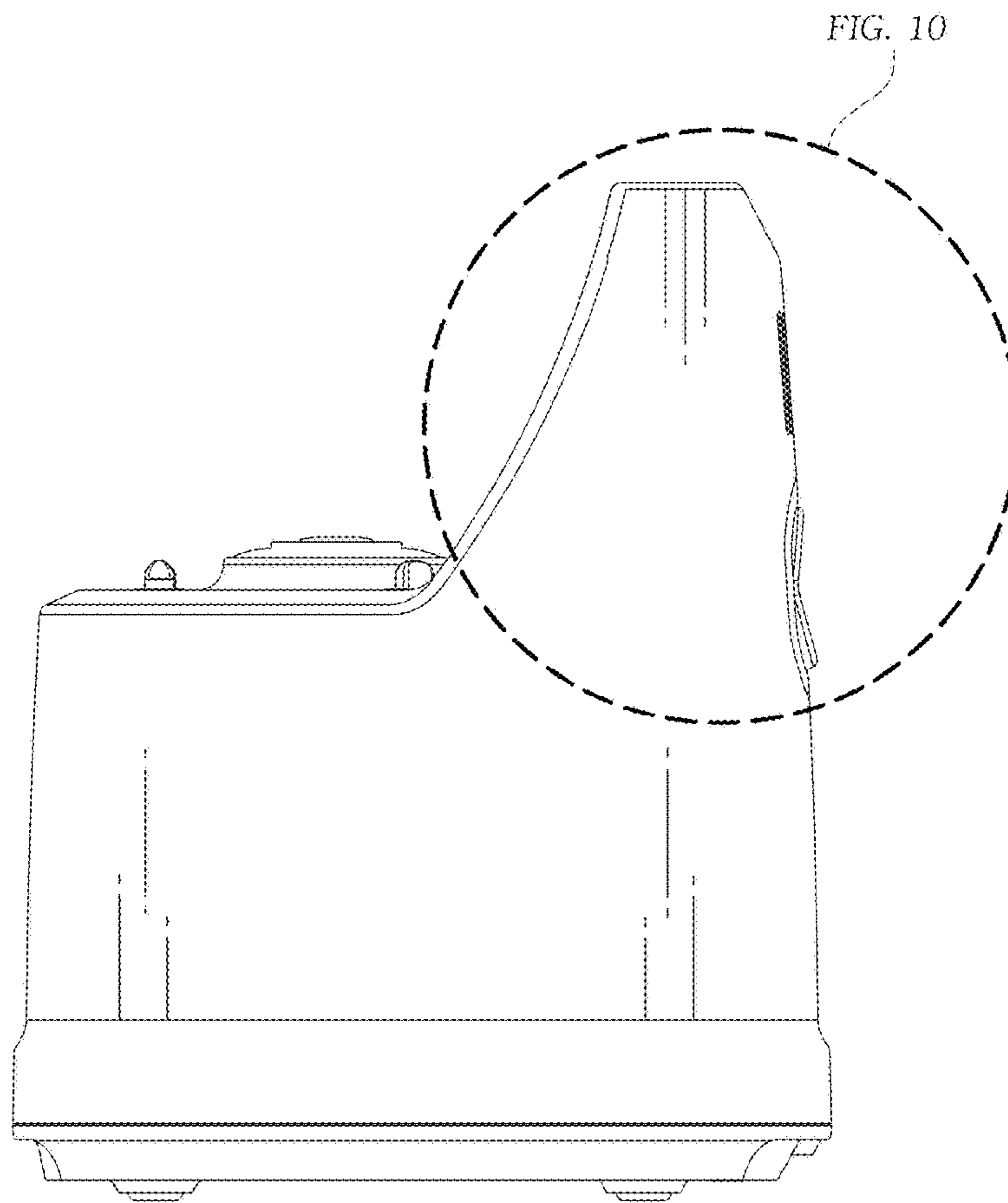


FIG. 5

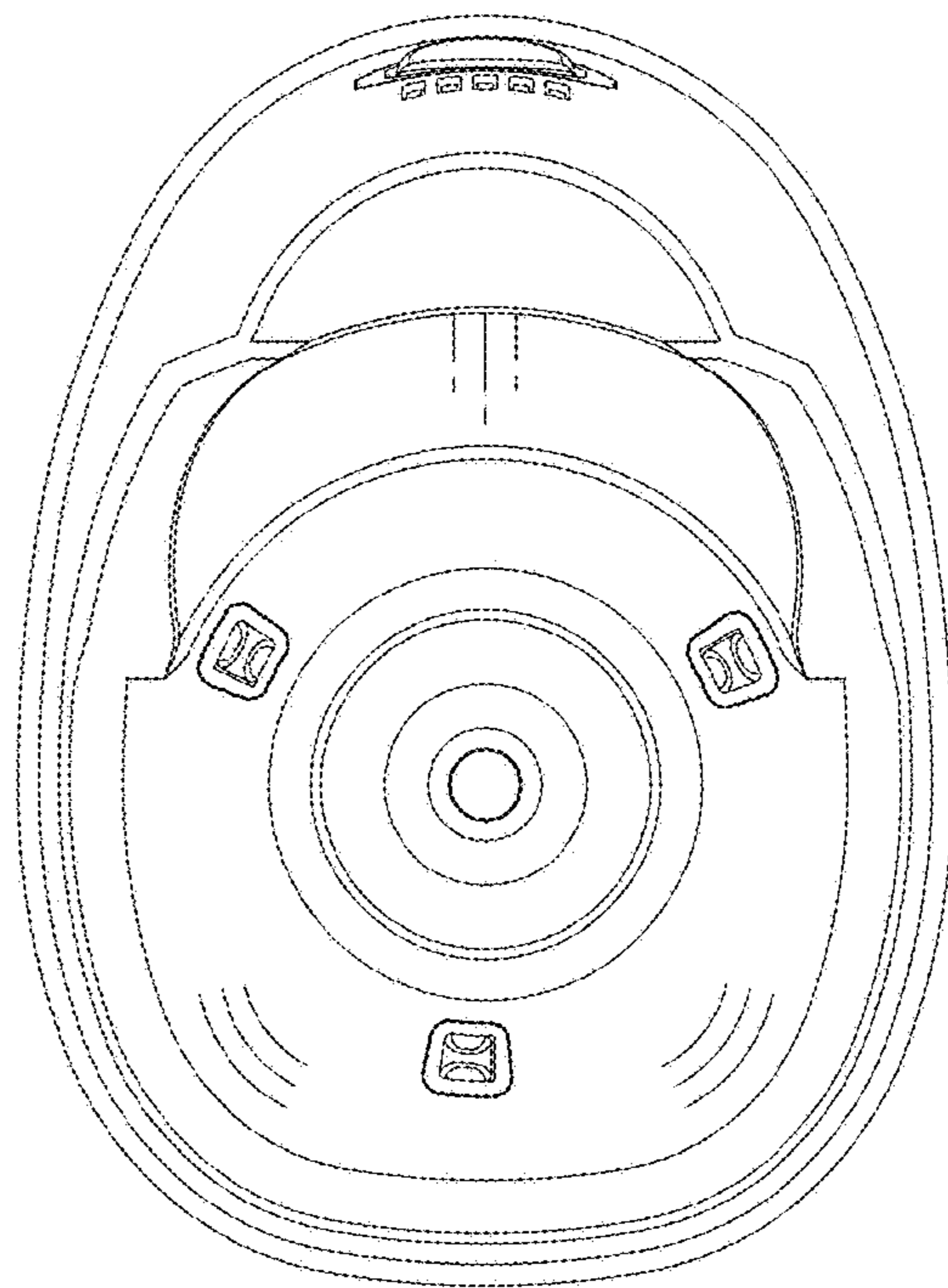


FIG. 6

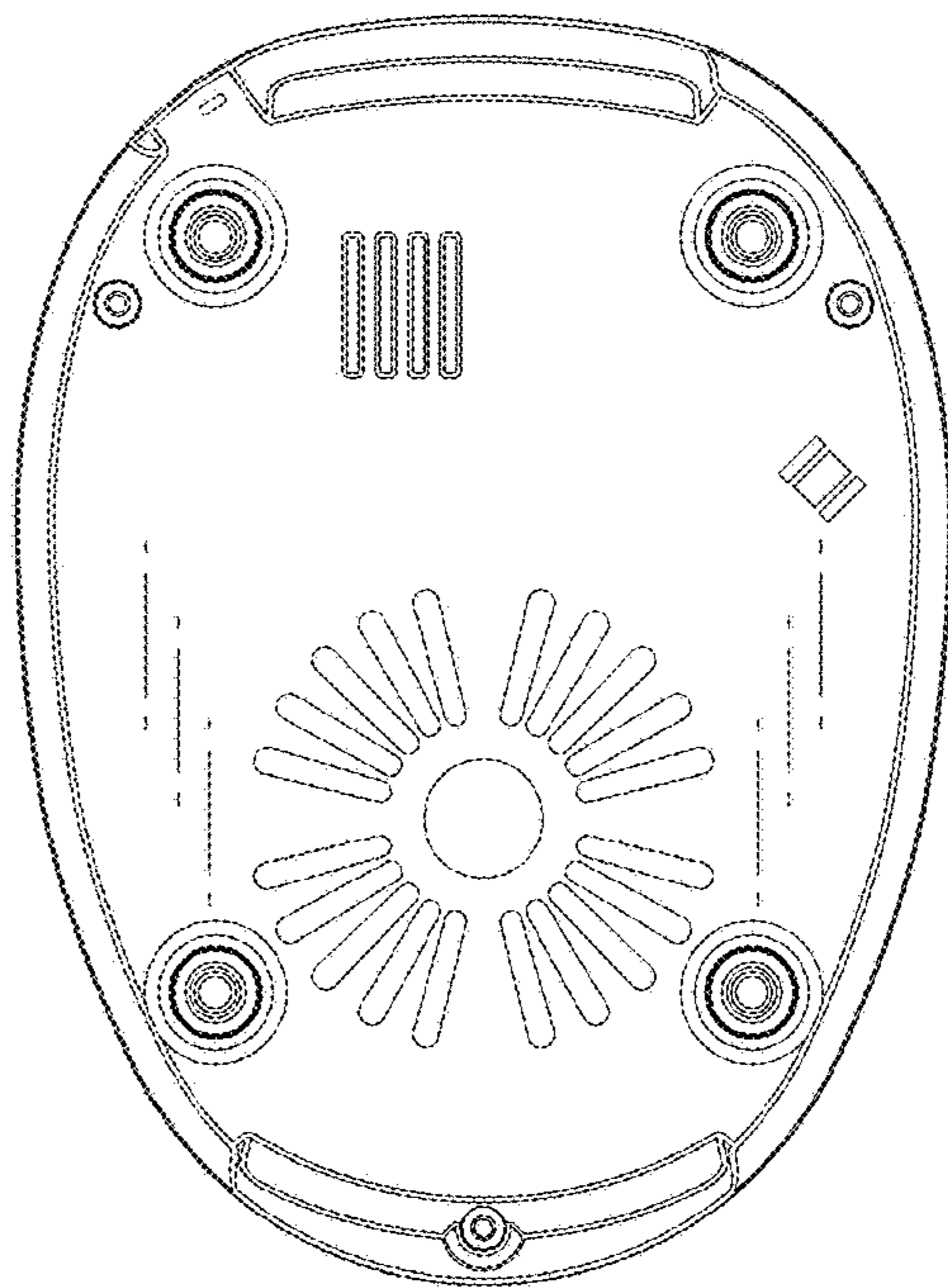


FIG. 7

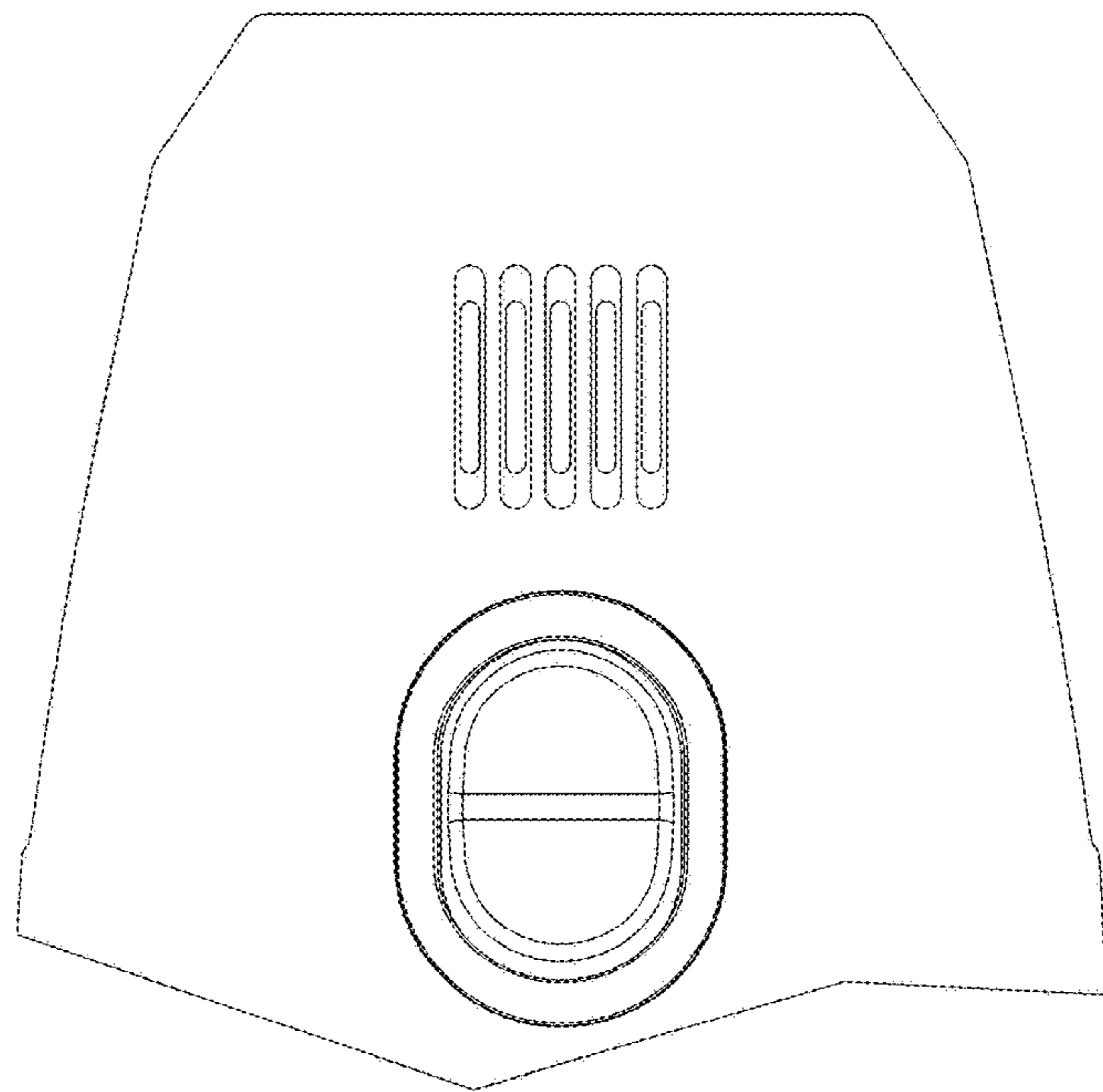


FIG. 8

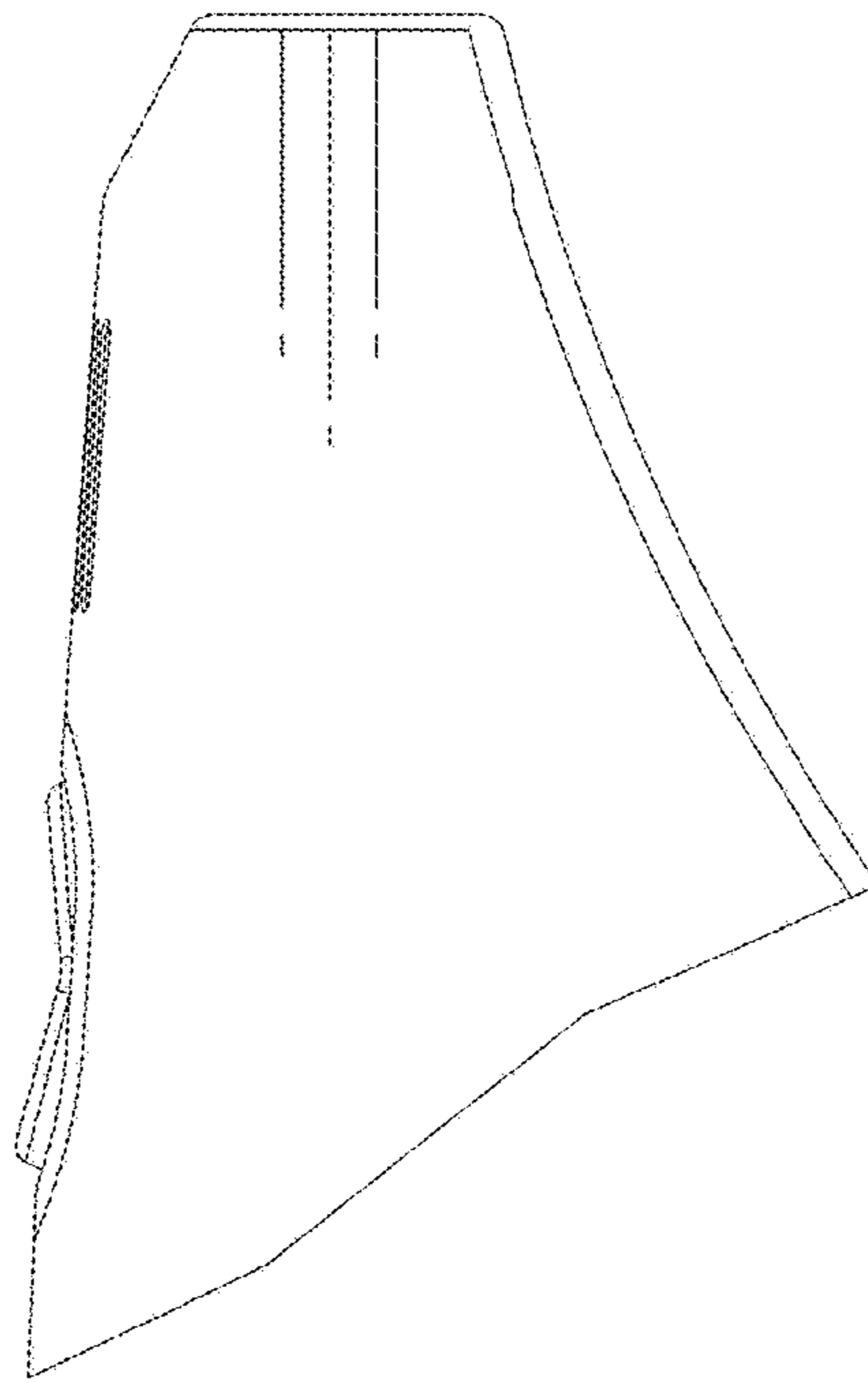


FIG. 9

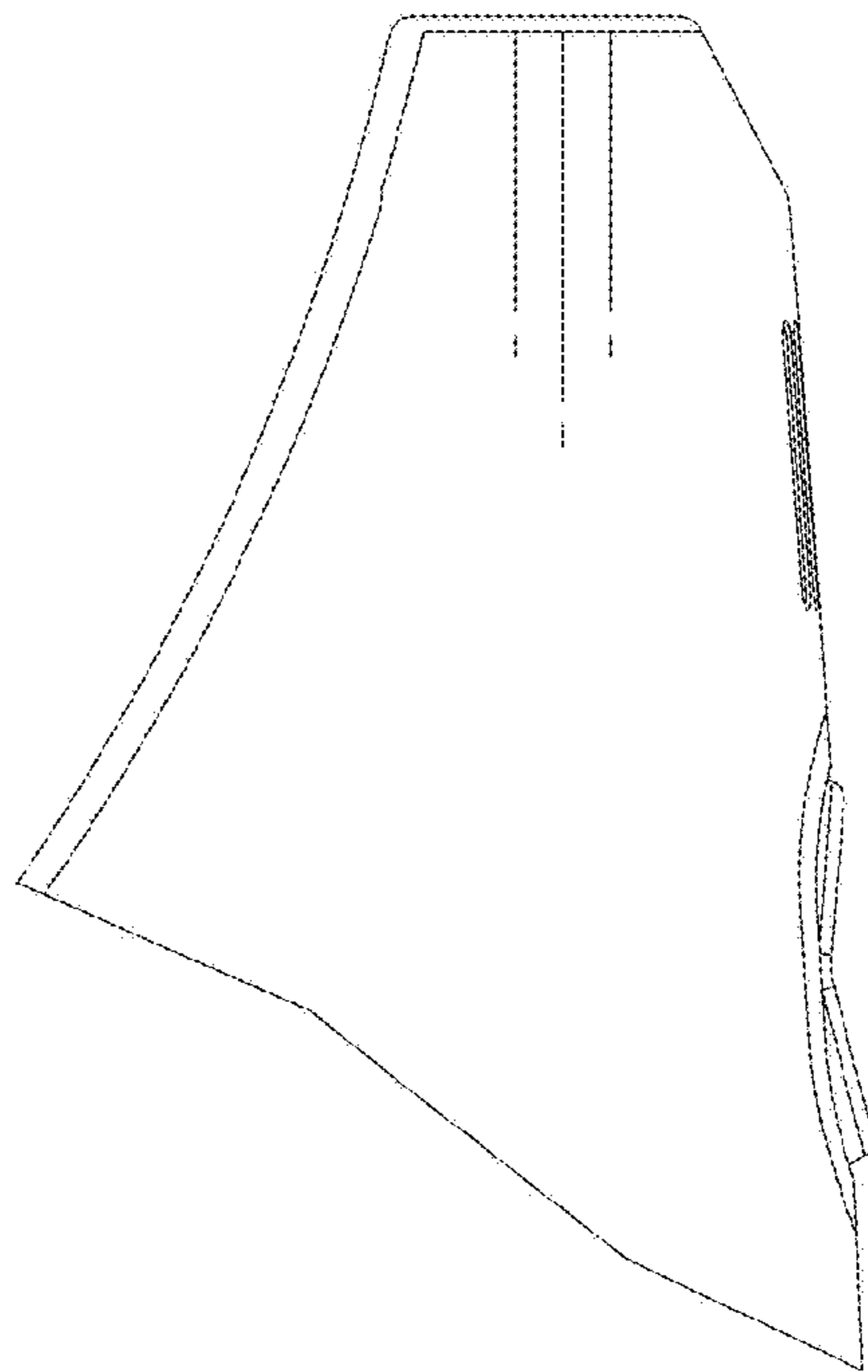


FIG. 10