



US00D865456S

(12) **United States Design Patent**
Dittrich et al.

(10) **Patent No.:** **US D865,456 S**

(45) **Date of Patent:** **** Nov. 5, 2019**

(54) **BASKET**

(71) Applicant: **Spectrum Diversified Designs, LLC**,
Streetsboro, OH (US)

(72) Inventors: **Megan Dittrich**, Twinsburg, OH (US);
Aaron D. Goodman, Beachwood, OH (US)

(73) Assignee: **Spectrum Diversified Designs, LLC**,
Streetsboro, OH (US)

(**) Term: **15 Years**

(21) Appl. No.: **29/639,541**

(22) Filed: **Mar. 7, 2018**

(51) **LOC (12) Cl.** **07-07**

(52) **U.S. Cl.**

USPC **D7/602**

(58) **Field of Classification Search**

USPC D7/600.1, 602, 704-705, 707;
D6/524-525, 537, 546, 556, 566, 677.2,
D6/692.4-692.5, 696.3; 211/30, 106,
211/106.01, 181.1; D9/681, 756, 761;
D3/306; 206/8, 202, 513

(Continued)

(56) **References Cited**

U.S. PATENT DOCUMENTS

D15,429 S * 10/1884 Ayres D30/129
6,314,674 B1 * 11/2001 Lee A47G 7/047
47/39

(Continued)

FOREIGN PATENT DOCUMENTS

CN 302971797 * 10/2014
CN 303603492 * 3/2016

(Continued)

OTHER PUBLICATIONS

Bloom Small Fruit Tree, Spectrum Diversified, spectrumdiversified.com, author and date not listed © 2018 Spectrum Diversified, online, site visited Dec. 17, 2018. Available from Internet, URL: <https://www.spectrumdiversified.com/products/Bloom-Small-Fruit-Tree> (Year: 2018).*

(Continued)

Primary Examiner — Shannon W Morgan

Assistant Examiner — Altaira J Swangin

(74) *Attorney, Agent, or Firm* — Renner, Otto, Boisselle and Sklar, LLP

(57) **CLAIM**

The ornamental design for a basket, as shown and described.

DESCRIPTION

FIG. 1 is a top, right, front perspective view of a first embodiment of a basket showing our new design;

FIG. 2 is a front elevation view thereof;

FIG. 3 is a rear elevation view thereof;

FIG. 4 is a right side elevation view thereof;

FIG. 5 is a left side elevation view thereof;

FIG. 6 is a top plan view thereof;

FIG. 7 is a bottom plan view thereof;

FIG. 8 is a top, right, front perspective view of a second embodiment of a basket showing our new design;

FIG. 9 is a front elevation view thereof, the rear elevation view being a mirror image of the front elevation view;

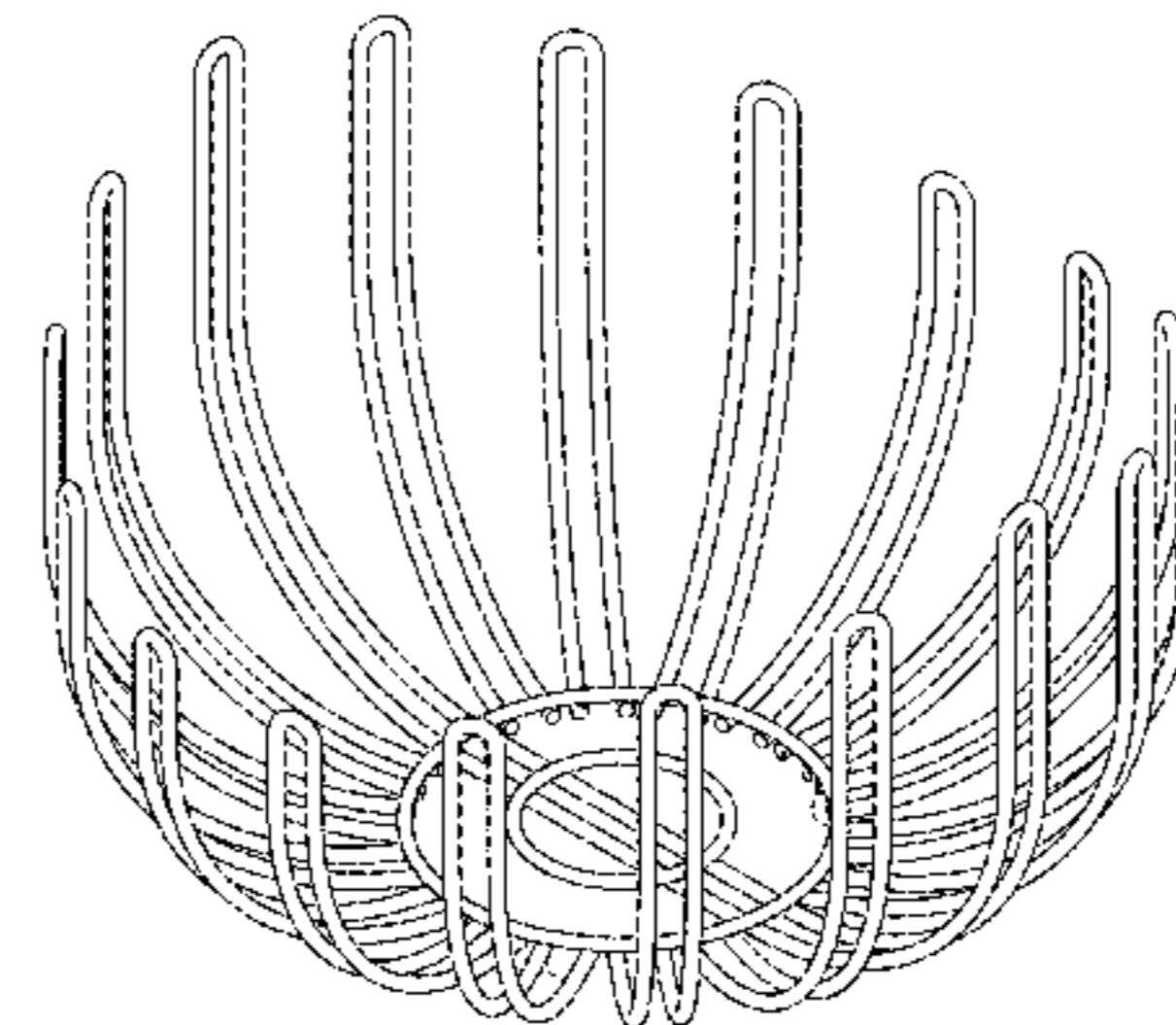
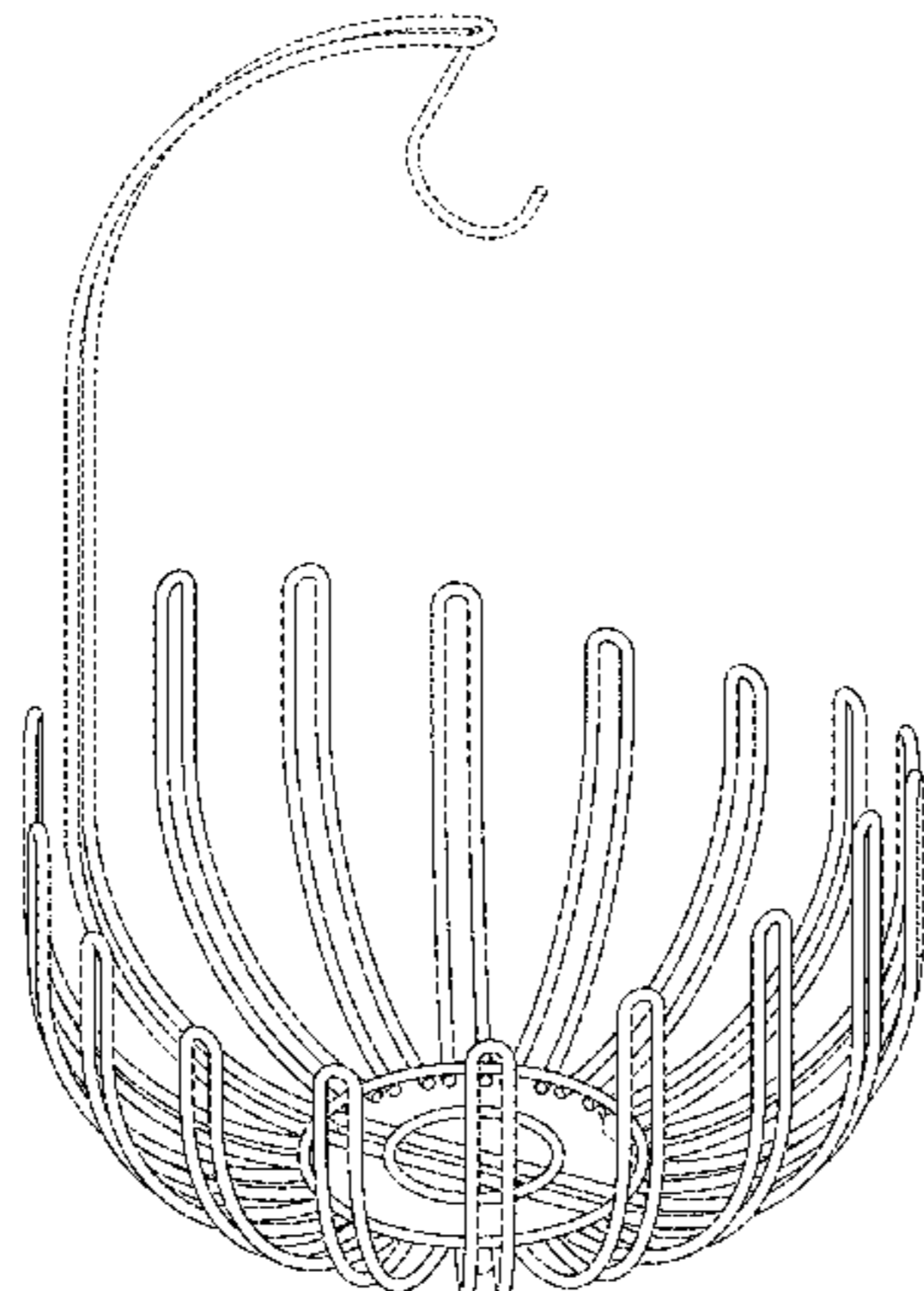
FIG. 10 is a right side elevation view thereof, the left side elevation view being a mirror image of the right side elevation view;

FIG. 11 is a top plan view thereof; and,

FIG. 12 is a bottom plan view thereof.

The broken lines depict portions of the article which form no part of the claimed design.

1 Claim, 7 Drawing Sheets



(58) **Field of Classification Search**
 CPC ... A47F 5/01; A47F 5/02; A47L 19/04; F16M
 11/00; A47K 3/281; A47B 55/02
 See application file for complete search history.

(56) **References Cited**

U.S. PATENT DOCUMENTS

D520,700	S	*	5/2006	Plikuhn	D32/55
D574,666	S	*	8/2008	Tiemann	D7/601
D584,565	S	*	1/2009	Goodman	D7/387
D591,561	S	*	5/2009	Goodman	D7/601
D616,253	S	*	5/2010	Goodman	D7/601
D632,908	S	*	2/2011	Tincher	D6/513
7,938,262	B1	*	5/2011	Havive	B65D 7/20 206/423
D646,933	S	*	10/2011	Goodman	D7/601
D664,006	S	*	7/2012	Goodman	D7/601
D670,970	S	*	11/2012	Goodman	D7/601
D670,971	S	*	11/2012	Goodman	D7/601
D670,972	S	*	11/2012	Goodman	D7/601
D670,976	S	*	11/2012	Goodman	D7/631
D671,370	S	*	11/2012	Goodman	D7/601
D671,371	S	*	11/2012	Goodman	D7/601
D672,203	S	*	12/2012	Goodman	D7/601
D675,056	S	*	1/2013	Goodman	D7/388
D679,544	S	*	4/2013	Goodman	D7/501
D697,374	S	*	1/2014	Goodman	D7/601
D698,203	S	*	1/2014	Goodman	D7/601
D698,204	S	*	1/2014	Goodman	D7/601
D748,437	S	*	2/2016	Goodman	D7/584
D748,438	S	*	2/2016	Goodman	D7/601
D748,439	S	*	2/2016	Goodman	D7/601
D748,950	S	*	2/2016	Goodman	D7/601
D748,951	S	*	2/2016	Goodman	D7/601
D753,451	S	*	4/2016	Khaitan	D7/601
D767,343	S	*	9/2016	Tsai	D7/601
D771,442	S	*	11/2016	Goodman	D7/602
D774,835	S	*	12/2016	Goodman	D7/601
D776,984	S	*	1/2017	Goodman	D7/601

D777,525	S	*	1/2017	Hsu	D7/602
D784,087	S	*	4/2017	Goodman	D7/601
D784,088	S	*	4/2017	Goodman	D7/601
D784,771	S	*	4/2017	Goodman	D23/261
D785,404	S	*	5/2017	Goodman	D7/500
D786,016	S	*	5/2017	Goodman	D7/500
D787,891	S	*	5/2017	Goodman	D7/601
D787,892	S	*	5/2017	Goodman	D7/601
D788,528	S	*	6/2017	Goodman	D7/500
D794,395	S	*	8/2017	Goodman	D7/601
D794,396	S	*	8/2017	Goodman	D7/601
D807,130	S	*	1/2018	Popa	D8/1
D811,170	S	*	2/2018	Goodman	D7/601
D816,419	S	*	5/2018	Goodman	D7/601
D816,420	S	*	5/2018	Goodman	D7/601
D817,721	S	*	5/2018	Wilson	D7/601
D818,322	S	*	5/2018	Goodman	D7/601
D818,777	S	*	5/2018	Goodman	D7/601
D833,223	S	*	11/2018	Wilson	D7/500
D833,830	S	*	11/2018	Goodman	D7/601
D836,401	S	*	12/2018	Goodman	D7/601
D839,642	S	*	2/2019	Fischer	D6/677
D840,173	S	*	2/2019	Goodman	D6/566
2004/0168939	A1	*	9/2004	DeShazer	A63B 47/00 206/315.9

FOREIGN PATENT DOCUMENTS

CN	303765949	*	8/2016
CN	303766866	*	8/2016
CN	304950131	*	12/2018
JP	D1335048	*	7/2008

OTHER PUBLICATIONS

Bloom Fruit Bowl, Spectrum Diversified, spectrumdiversified.com, author and date not listed © 2018 Spectrum Diversified, online, site visited Dec. 17, 2018. Available from Internet, URL: <https://www.spectrumdiversified.com/products/Bloom-Fruit-Bowl> (Year: 2018).*

* cited by examiner

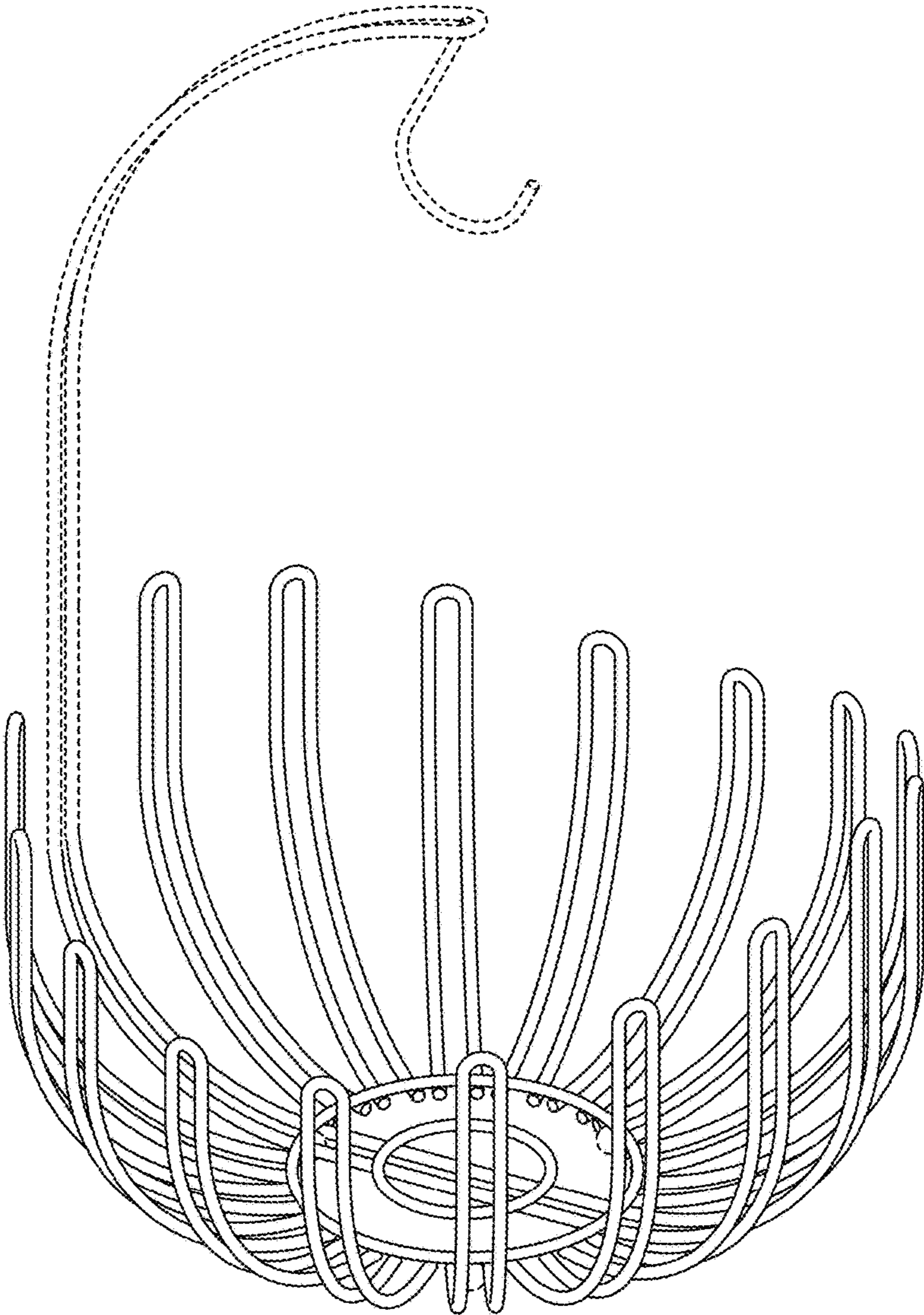


FIG. 1

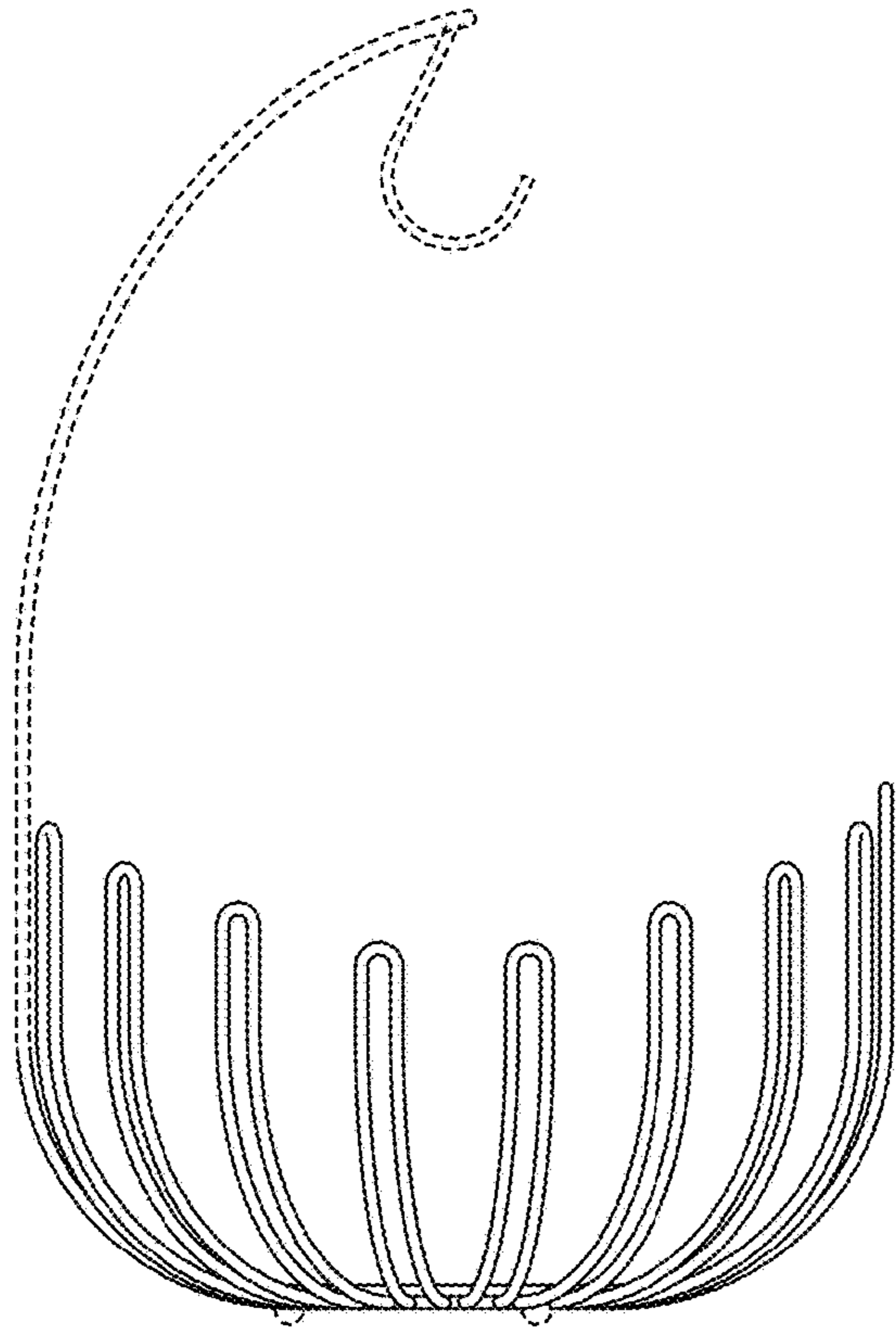


FIG. 2

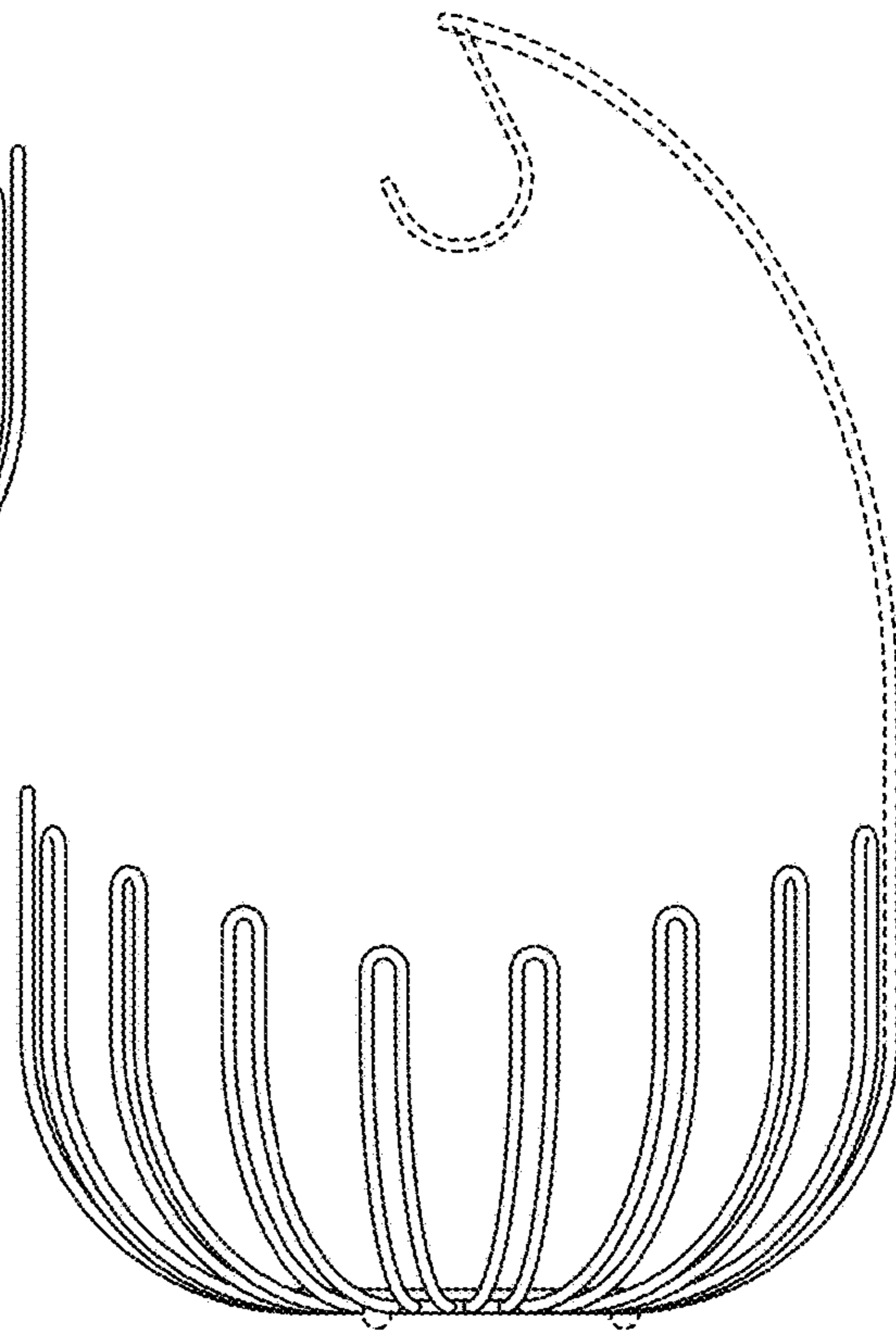


FIG. 3

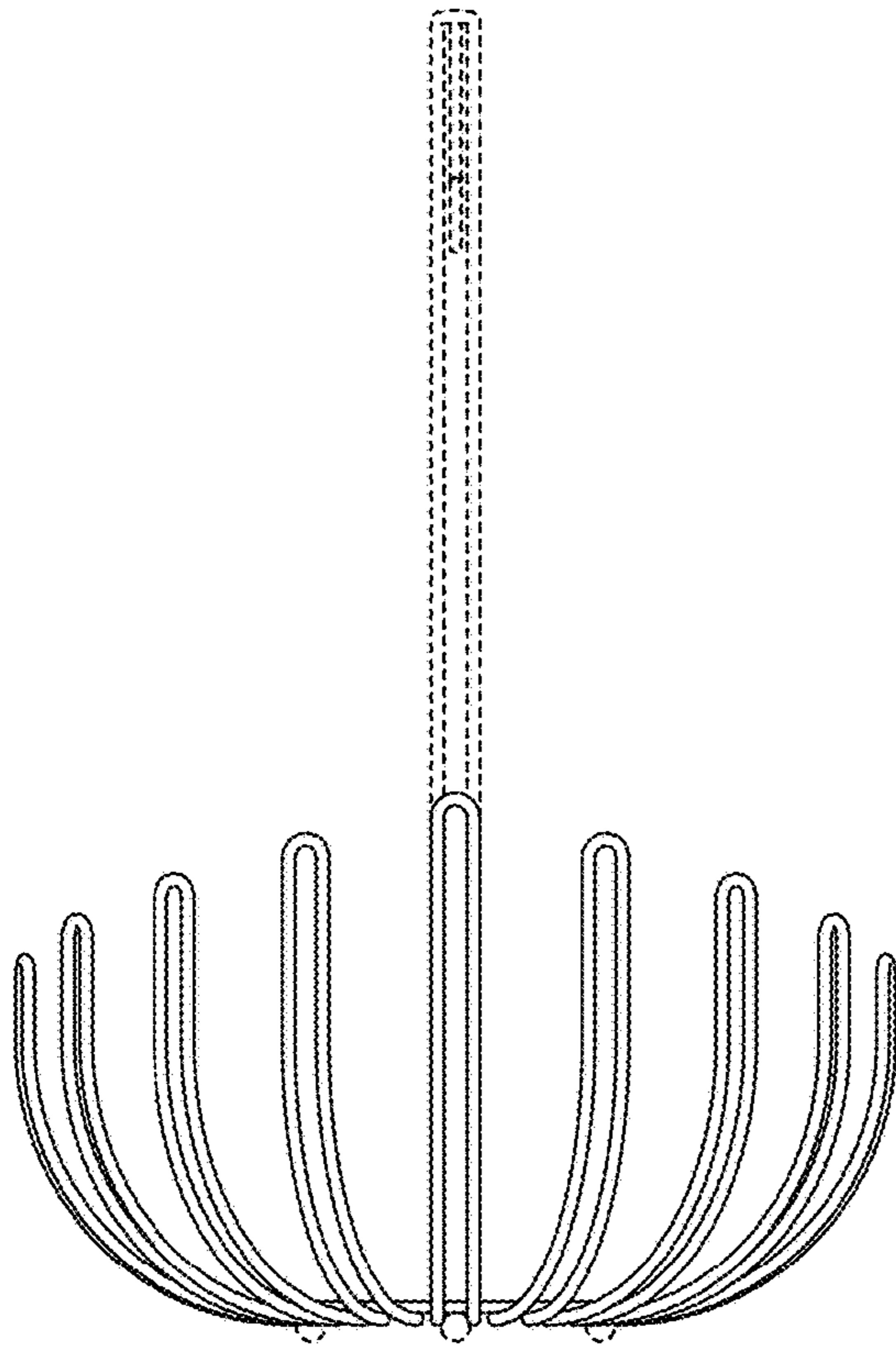


FIG. 4

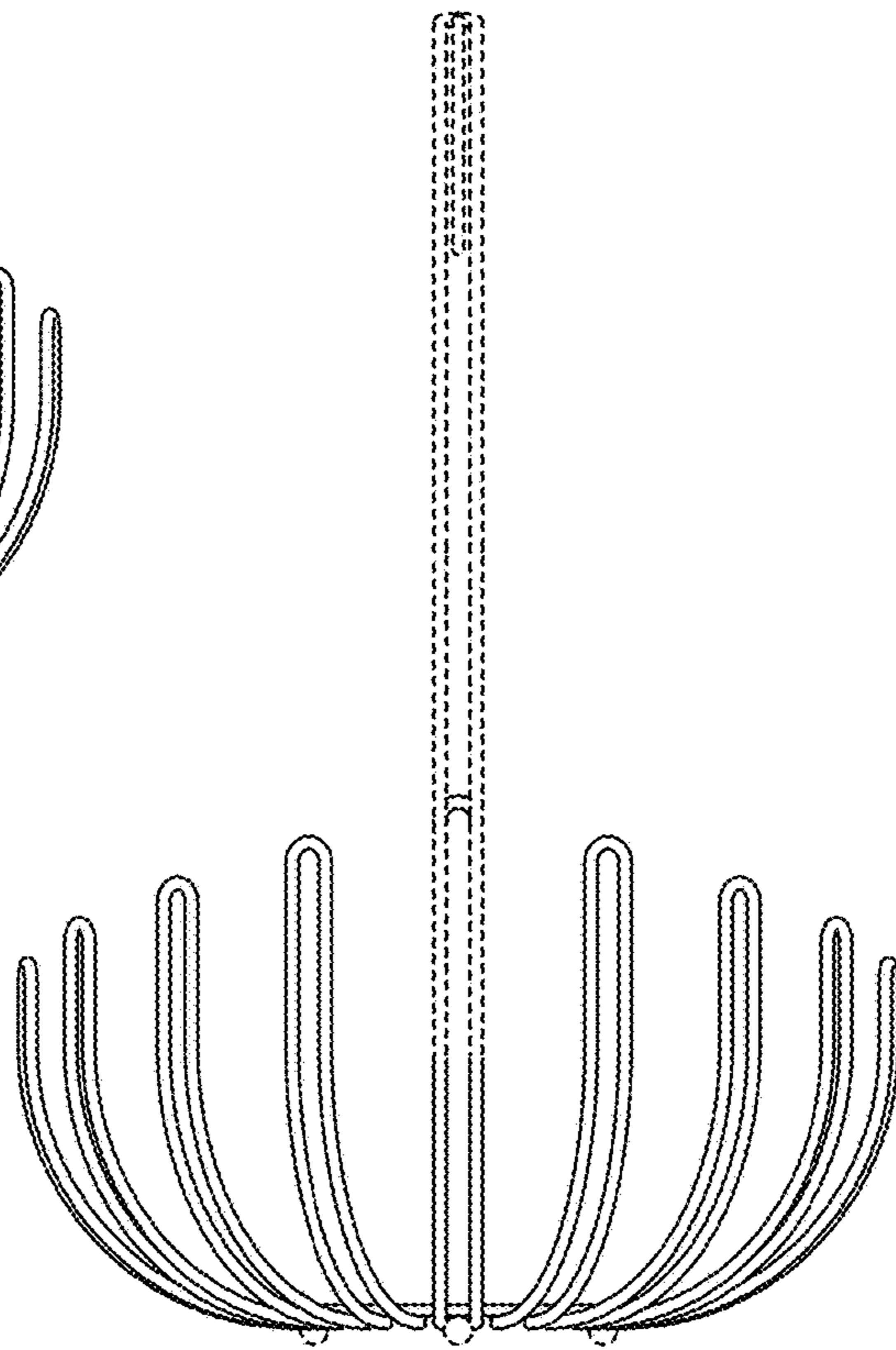


FIG. 5

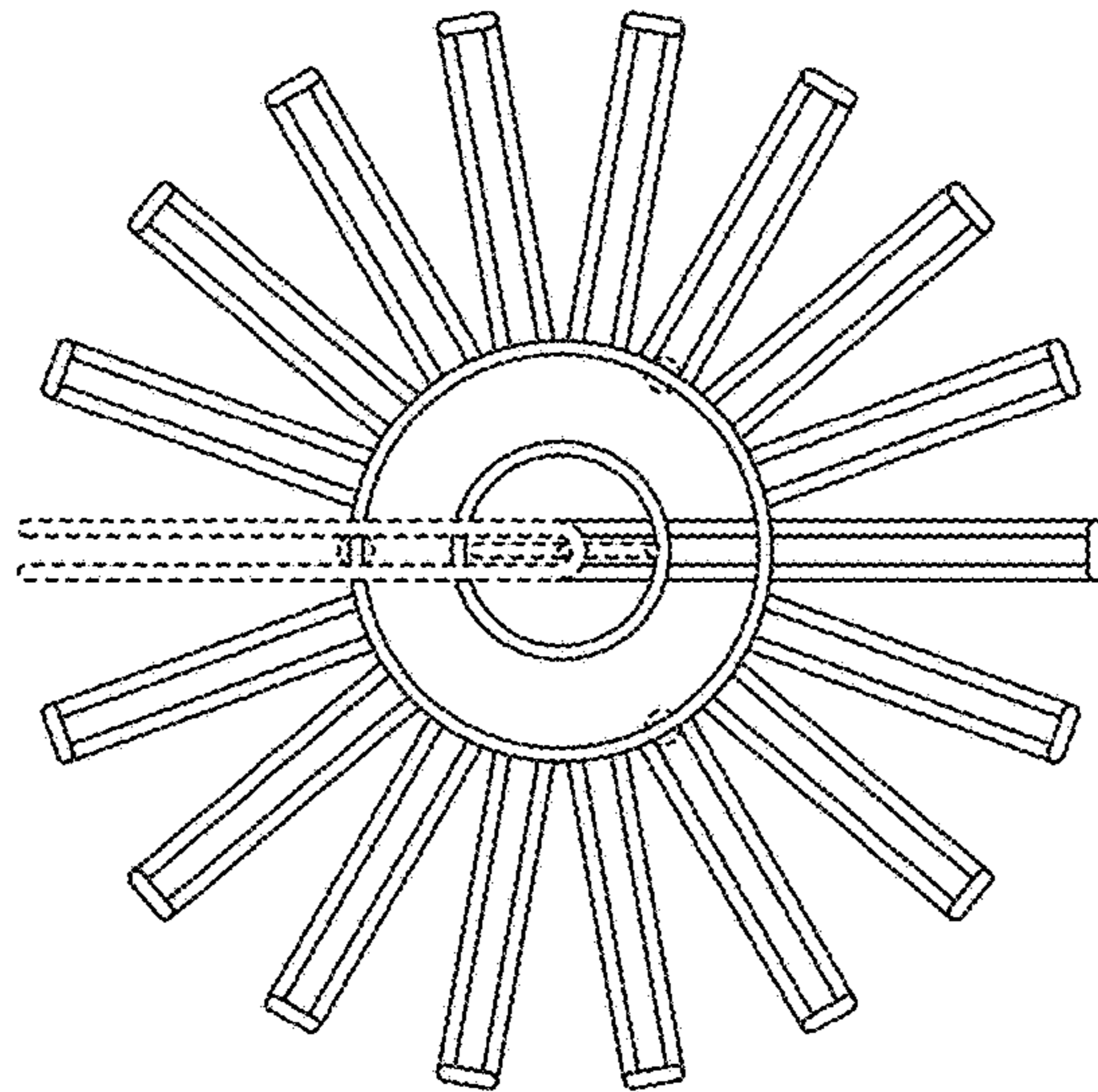


FIG. 6

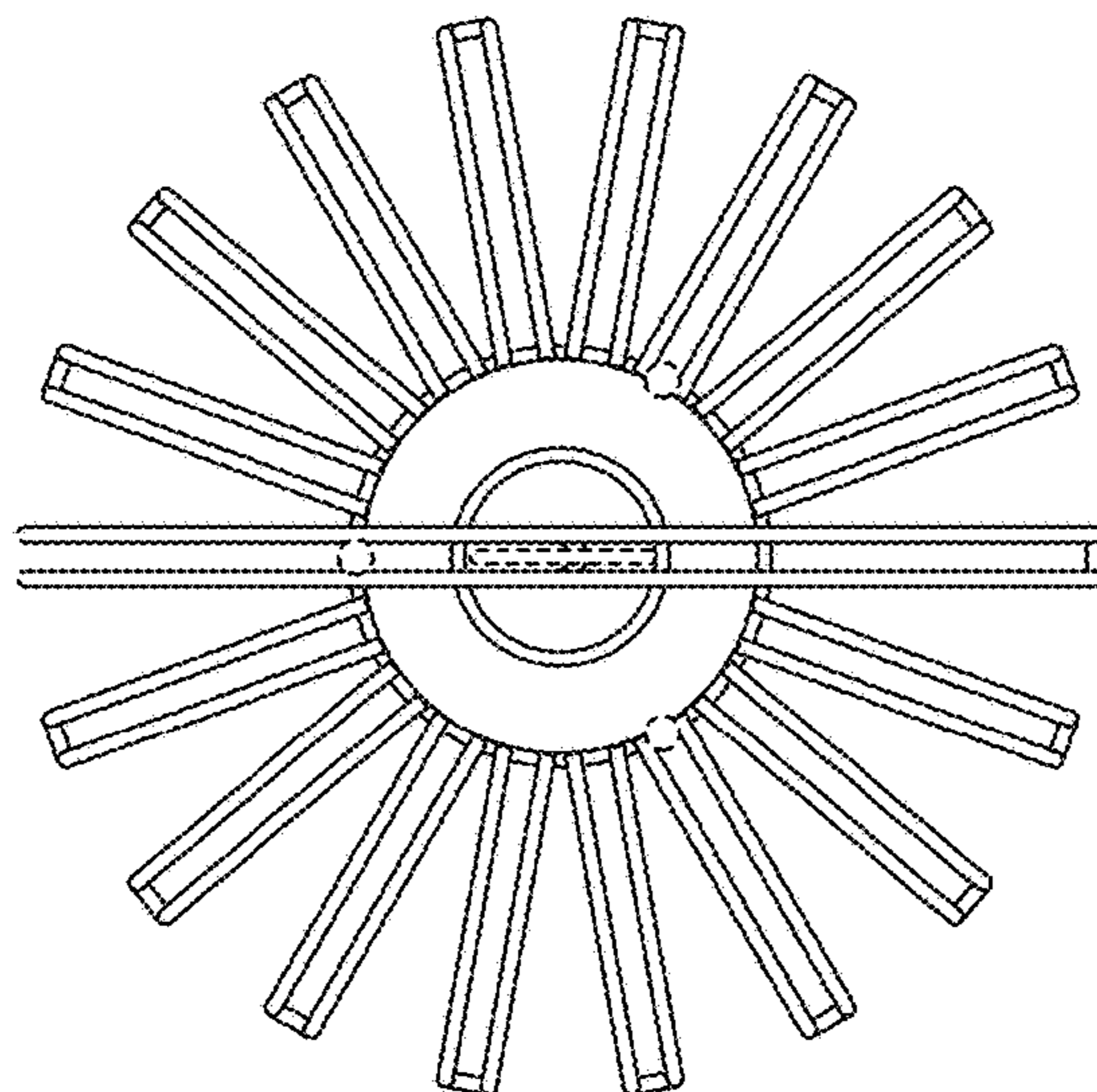


FIG. 7

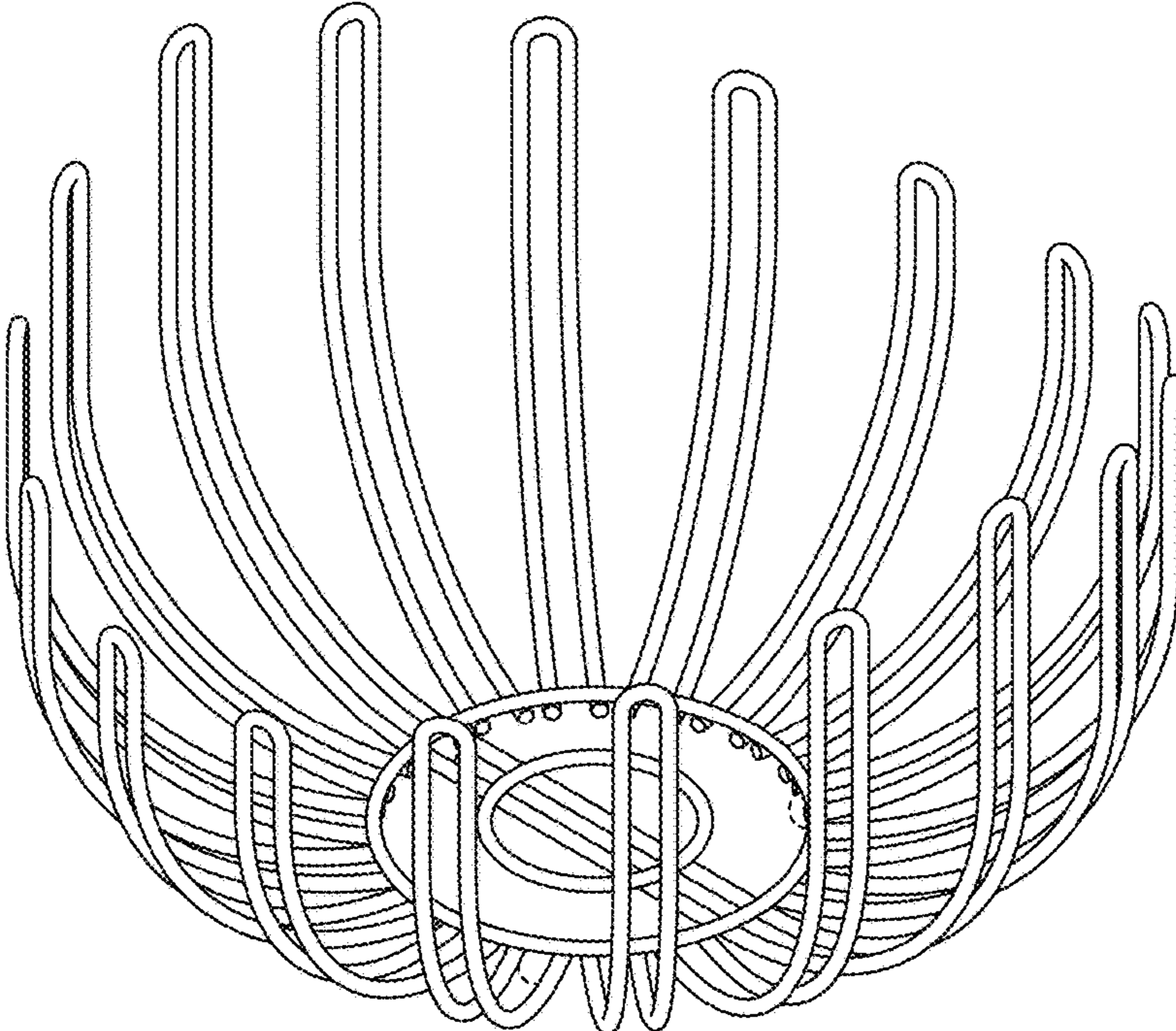


FIG. 8

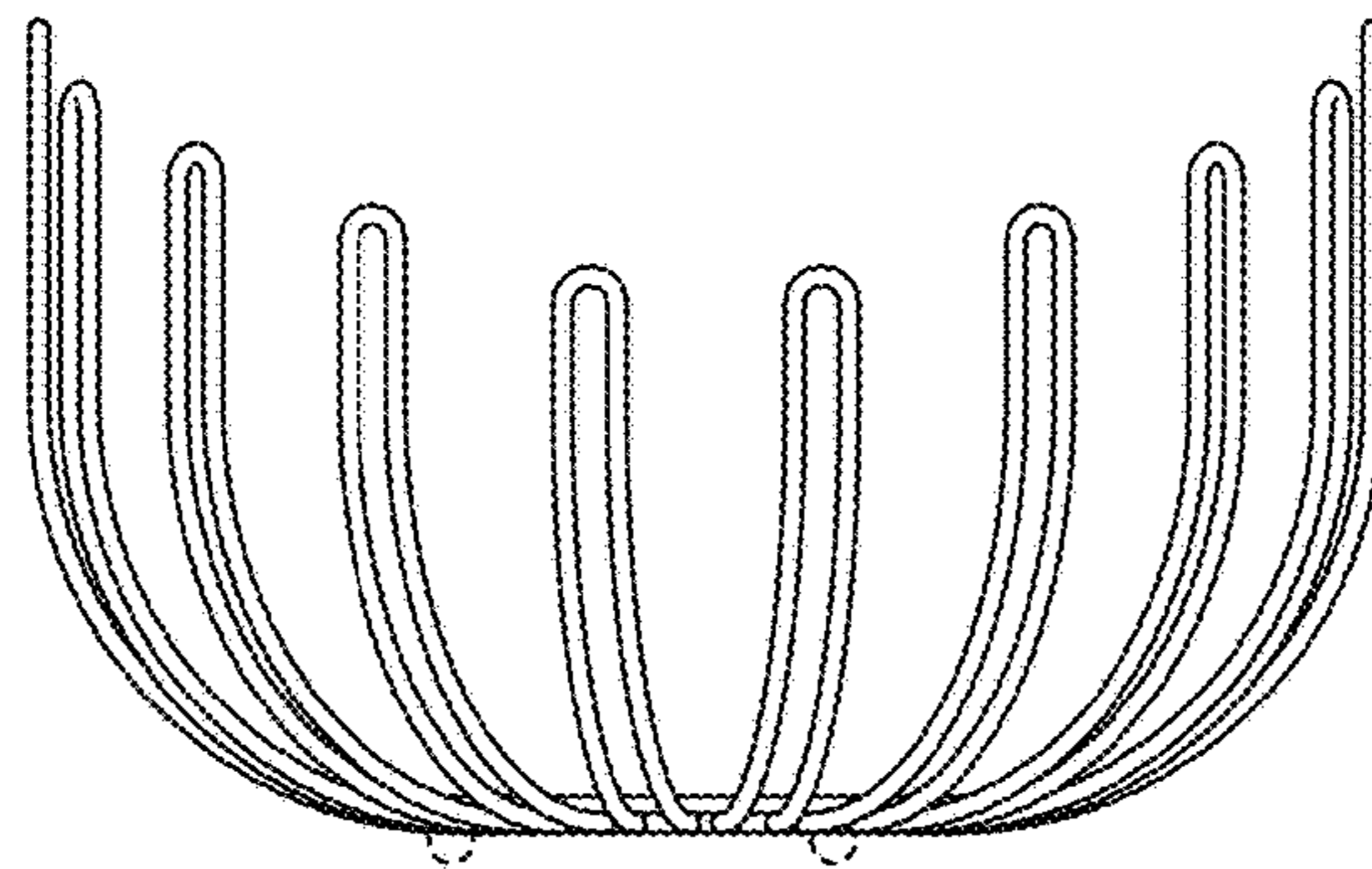


FIG. 9

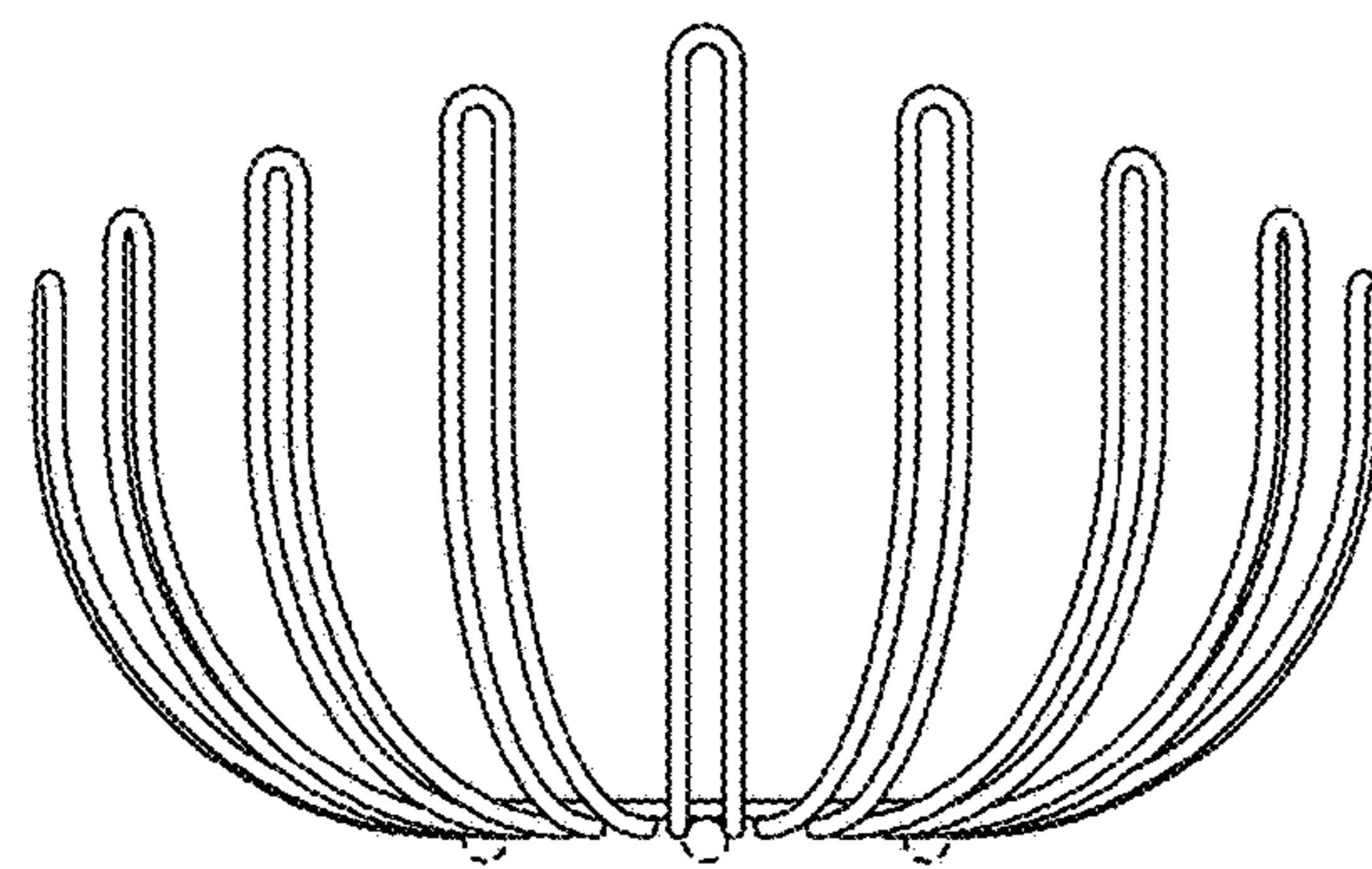


FIG. 10

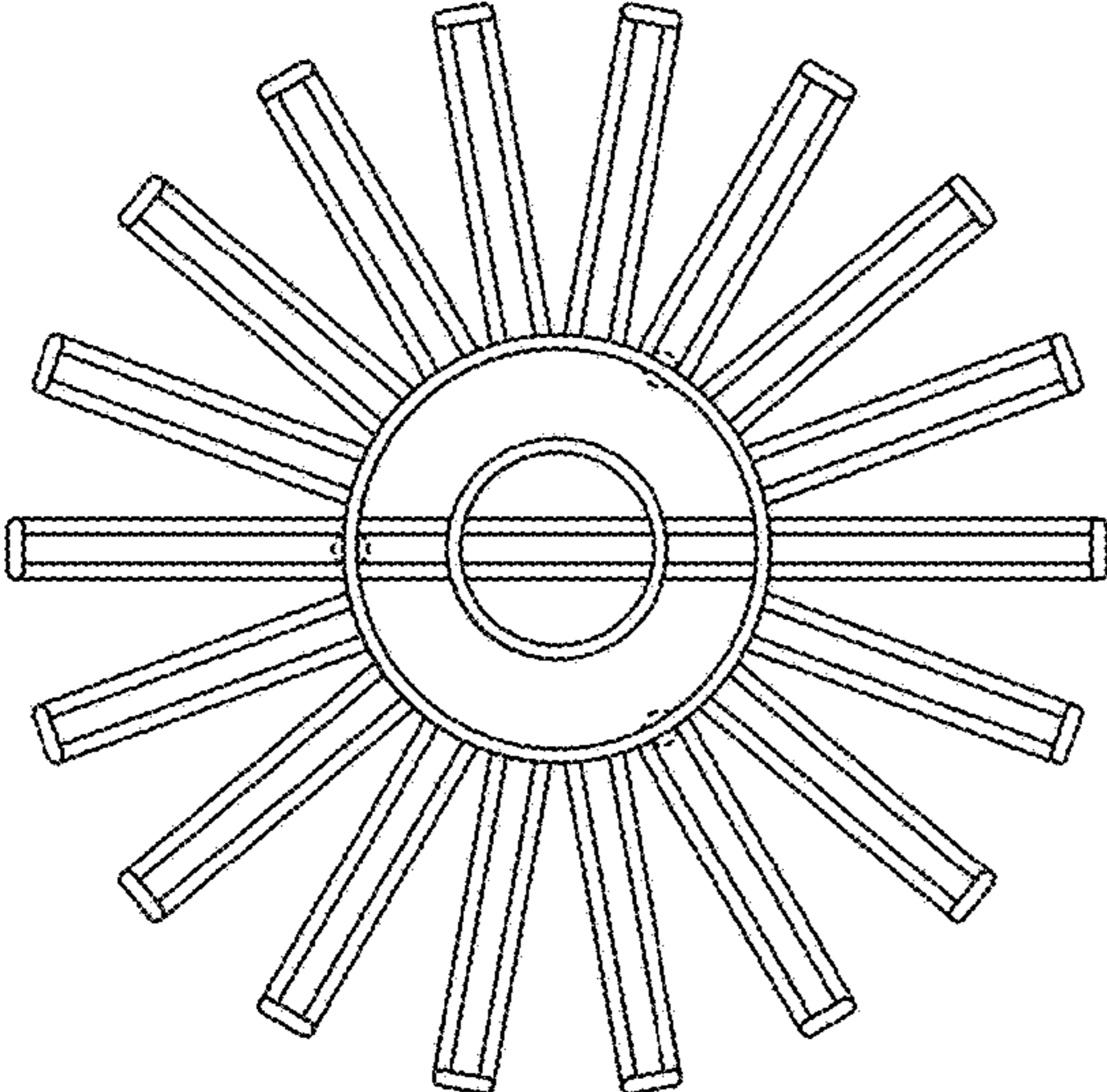


FIG. 11

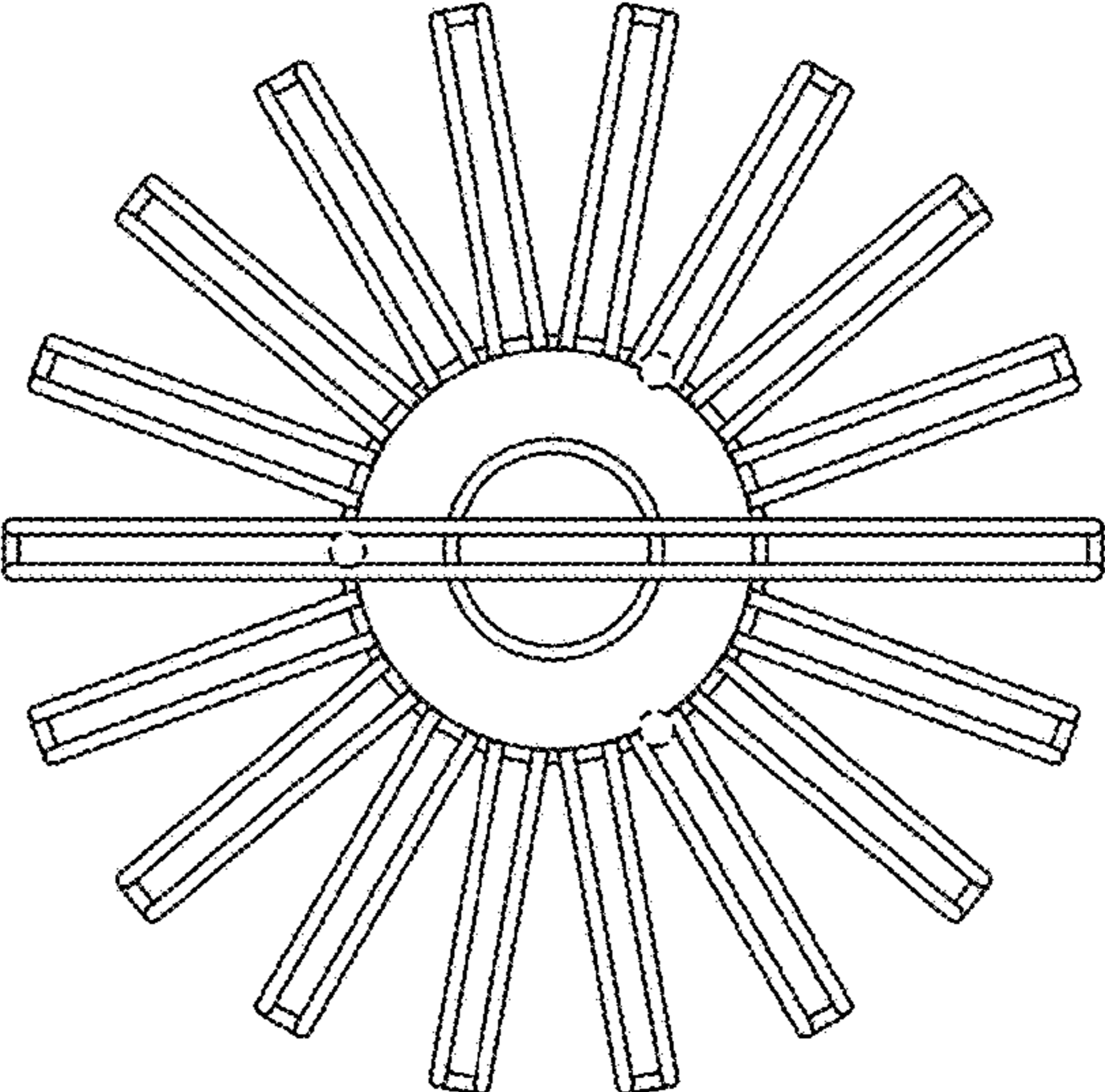


FIG. 12