



US00D865453S

(12) **United States Design Patent** (10) **Patent No.:** **US D865,453 S**
Hendifar et al. (45) **Date of Patent:** **** Nov. 5, 2019**

(54) **BOWL**

(71) Applicant: **APPARATUS, LLC**, New York, NY (US)
 (72) Inventors: **Gabriel Hendifar**, Rhinebeck, NY (US); **Jeremy R. Anderson**, New York, NY (US)
 (73) Assignee: **APPARATUS LLC**, New York, NY (US)

(**) Term: **15 Years**

(21) Appl. No.: **29/639,163**

(22) Filed: **Mar. 5, 2018**

(51) **LOC (12) Cl.** **07-01**

(52) **U.S. Cl.**
USPC **D7/558; D7/584**

(58) **Field of Classification Search**
 USPC D7/537, 524, 558, 559, 562, 563, 573,
 D7/504, 505, 610, 553.6, 552.2, 543, 569,
 D7/567, 547, 566, 587, 545, 584;
 D9/451, 439, 441, 440, 448, 454;
 D30/129, 133
 CPC .. A47G 19/02; A47B 96/021; A01K 39/0125;
 A01K 5/0114

See application file for complete search history.

(56) **References Cited**

U.S. PATENT DOCUMENTS

D478,253 S * 8/2003 Maier-Aichen D7/584
 D483,229 S * 12/2003 Maier-Aichen D7/584
 D485,127 S * 1/2004 Maier-Aichen D7/584
 D564,302 S * 3/2008 Freeman D7/586
 7,891,520 B2 * 2/2011 Milne A47G 19/02
 220/574
 D666,458 S * 9/2012 Montgomery D7/586

* cited by examiner

Primary Examiner — Marianne N Pandozzi

(74) *Attorney, Agent, or Firm* — Gottlieb, Rackman & Reisman, P.C.

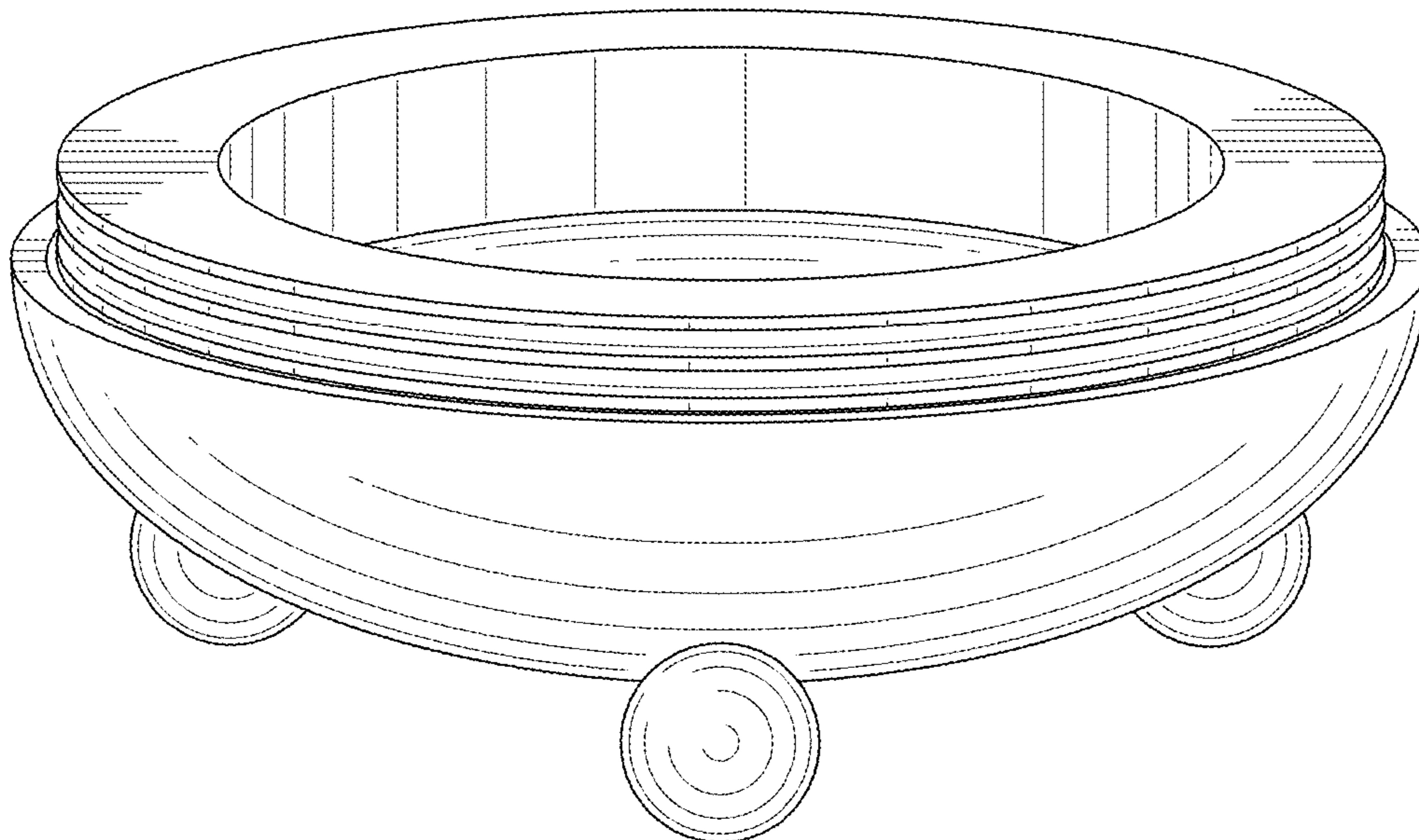
(57) **CLAIM**

The ornamental design for a bowl, as shown and described.

DESCRIPTION

FIG. 1 is a perspective view showing our new design;
 FIG. 2 is a front elevational view thereof;
 FIG. 3 is a rear elevational view thereof;
 FIG. 4 is a left side elevational view thereof;
 FIG. 5 is a right side elevational view thereof;
 FIG. 6 is a top plan view thereof; and,
 FIG. 7 is a bottom plan view thereof.

1 Claim, 7 Drawing Sheets



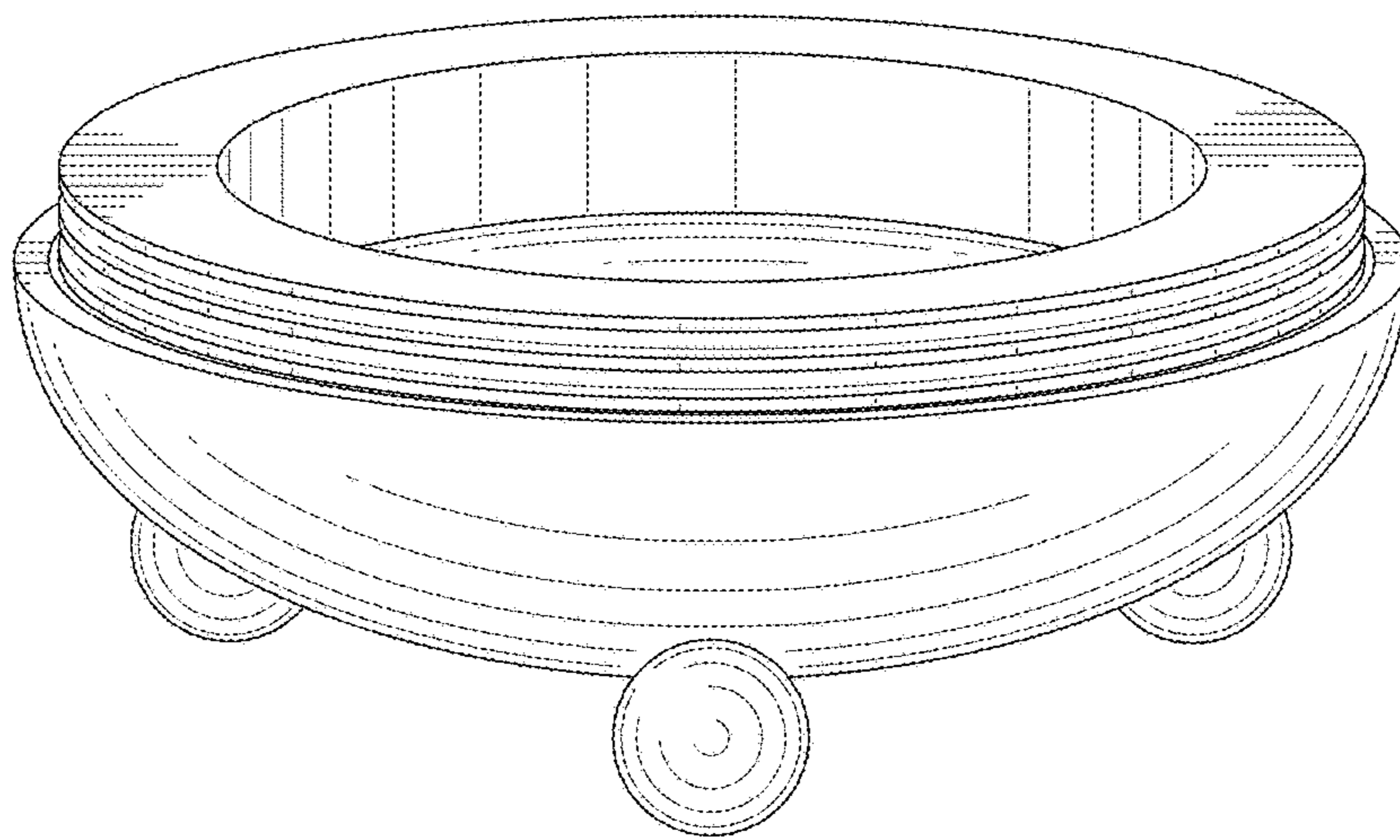


FIG. 1

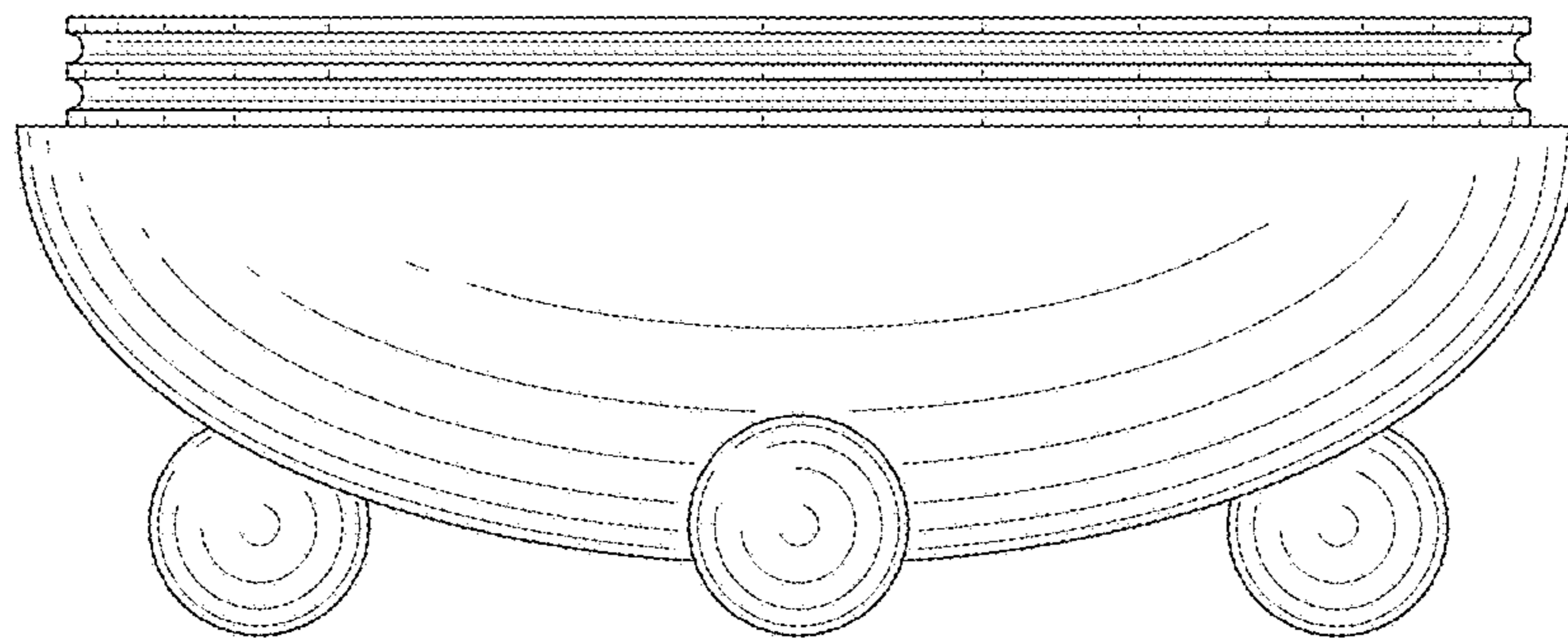


FIG.2

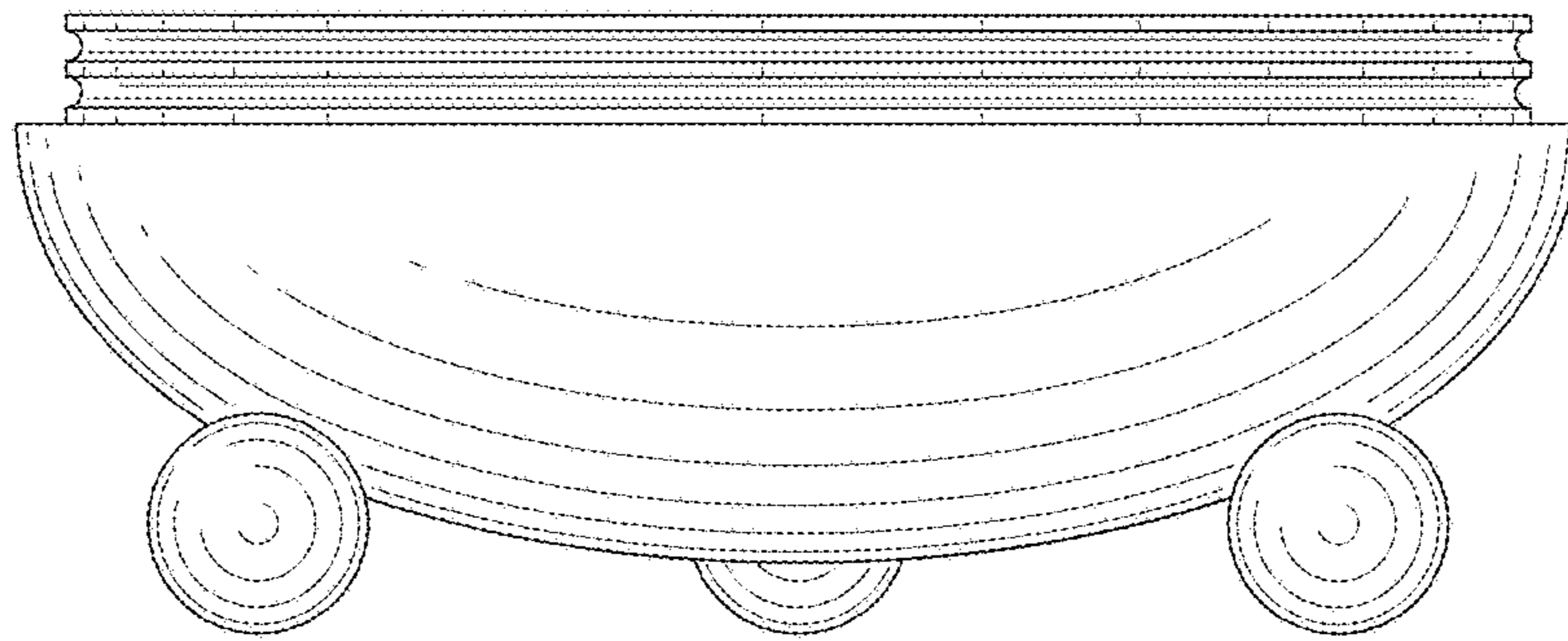


FIG. 3

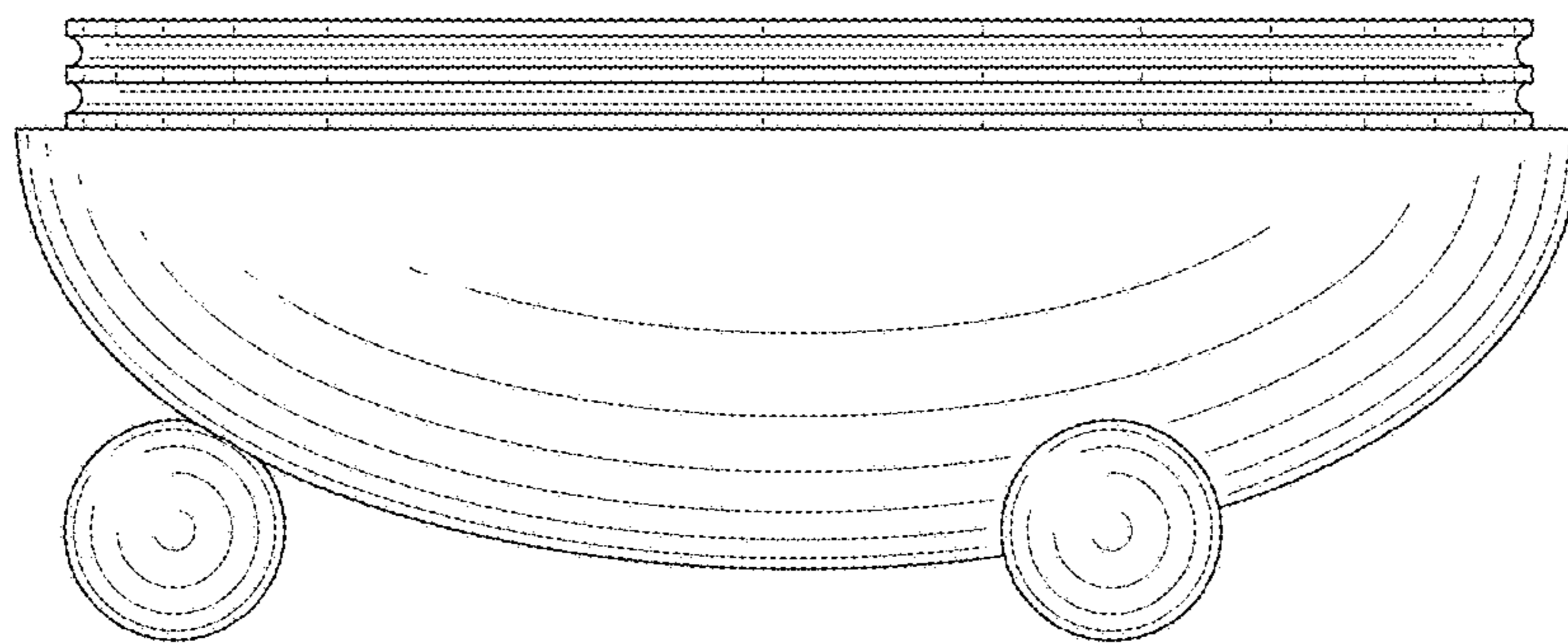


FIG.4

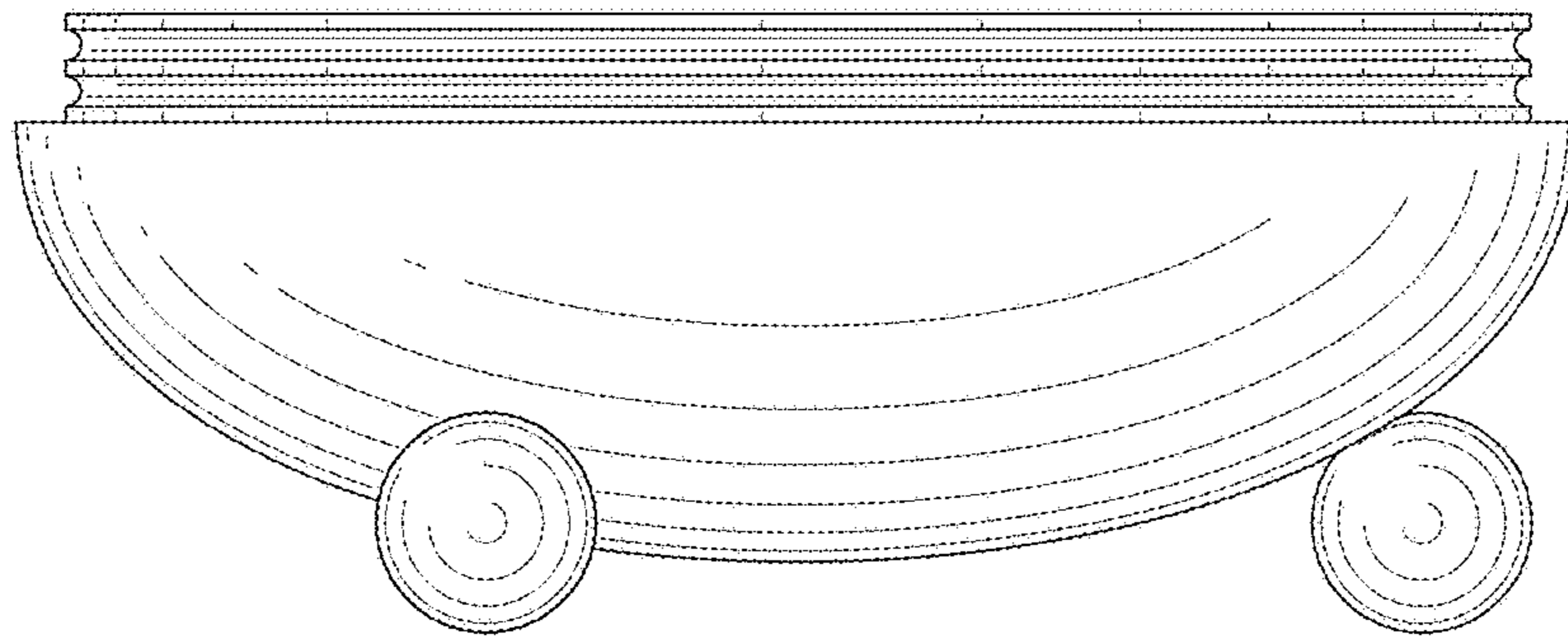


FIG. 5

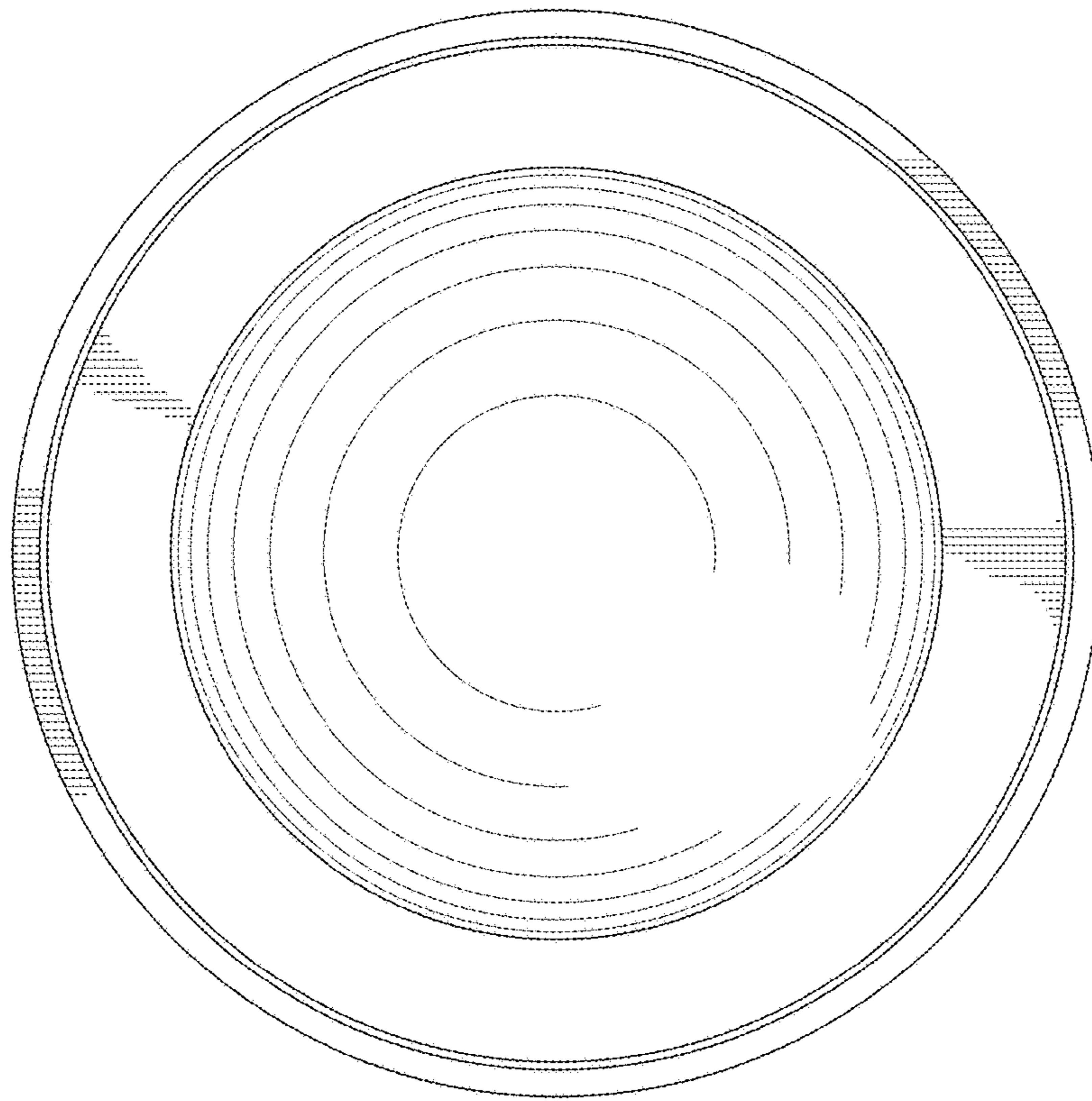


FIG. 6

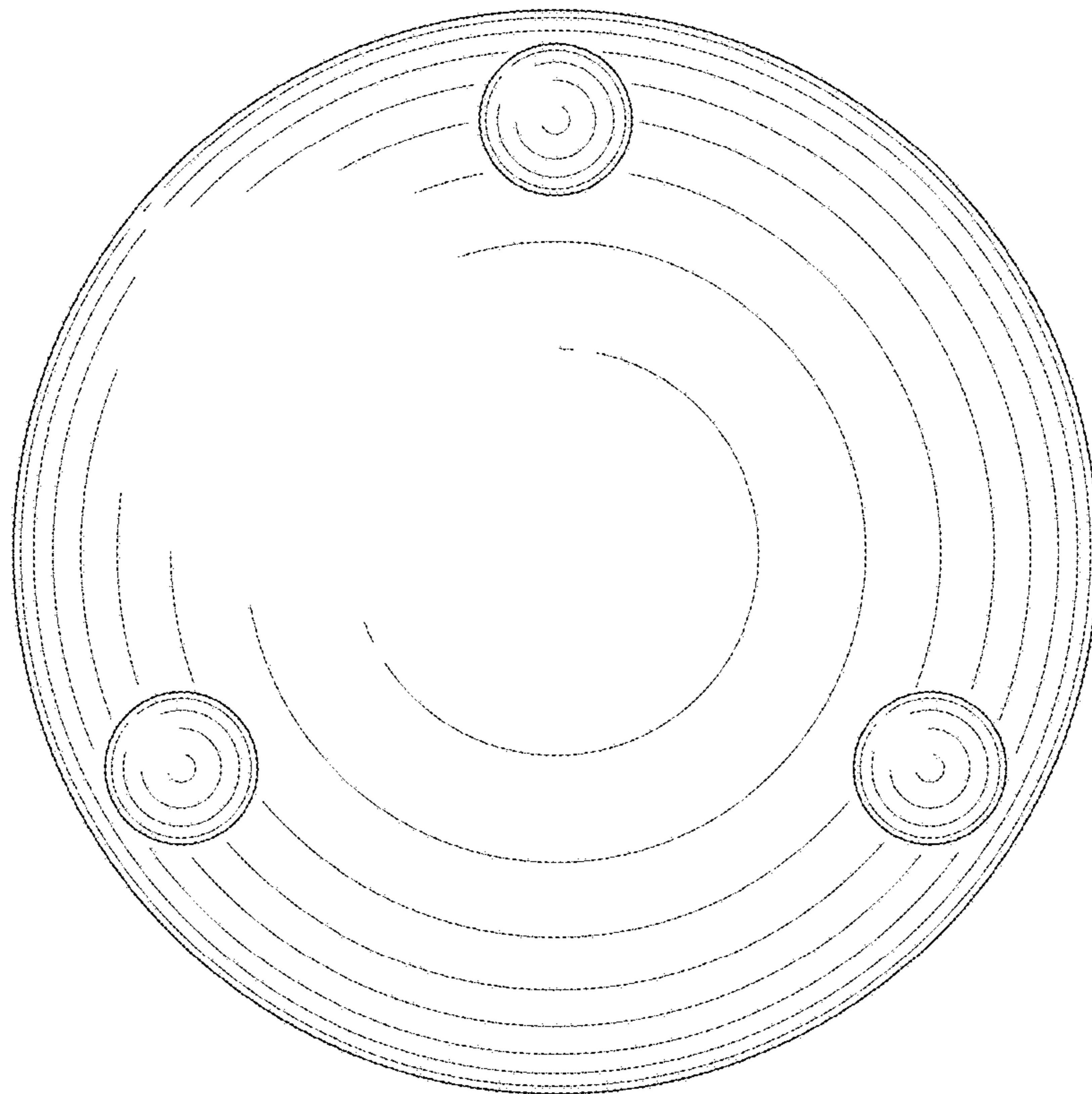


FIG. 7